



US00D412601S

# United States Patent [19] Cooper

[11] Patent Number: **Des. 412,601**

[45] Date of Patent: **\*\* Aug. 3, 1999**

[54] **COSMETIC ACCOUTREMENT CLIP**

5,489,078 2/1996 Risley ..... 248/231.81

[76] Inventor: **Gary Cooper**, 104 W. 70th St., New York, N.Y. 10023

### FOREIGN PATENT DOCUMENTS

[\*\*] Term: **14 Years**

110762 5/1964 Czech Rep. .... 248/68.1  
935861 7/1948 France ..... 132/316  
944816 4/1949 France ..... 132/316  
2439350 5/1980 France ..... 248/68.1

[21] Appl. No.: **29/079,520**

[22] Filed: **Nov. 19, 1997**

*Primary Examiner*—Raphael Barkai  
*Assistant Examiner*—C Tuttle  
*Attorney, Agent, or Firm*—Alfred M. Walker

[51] **LOC (6) Cl.** ..... **28-03**

[52] **U.S. Cl.** ..... **D28/73; D28/77**

[58] **Field of Search** ..... D28/64.3, 73, D28/77, 86; D19/75, 77, 78, 81, 83, 54, 56; D8/372, 380, 382, 394–396, 349, 354, 355, 356; 132/286, 294, 314, 316–318; 24/339, 346, 370; 248/682, 683, 689, 690, 692, 74.1, 68.1, 219.1; 224/247, 248; 401/34, 35, 48, 88, 131, 195

### [57] CLAIM

The ornamental design for a cosmetic accoutrement clip, as shown and described.

### [56] References Cited

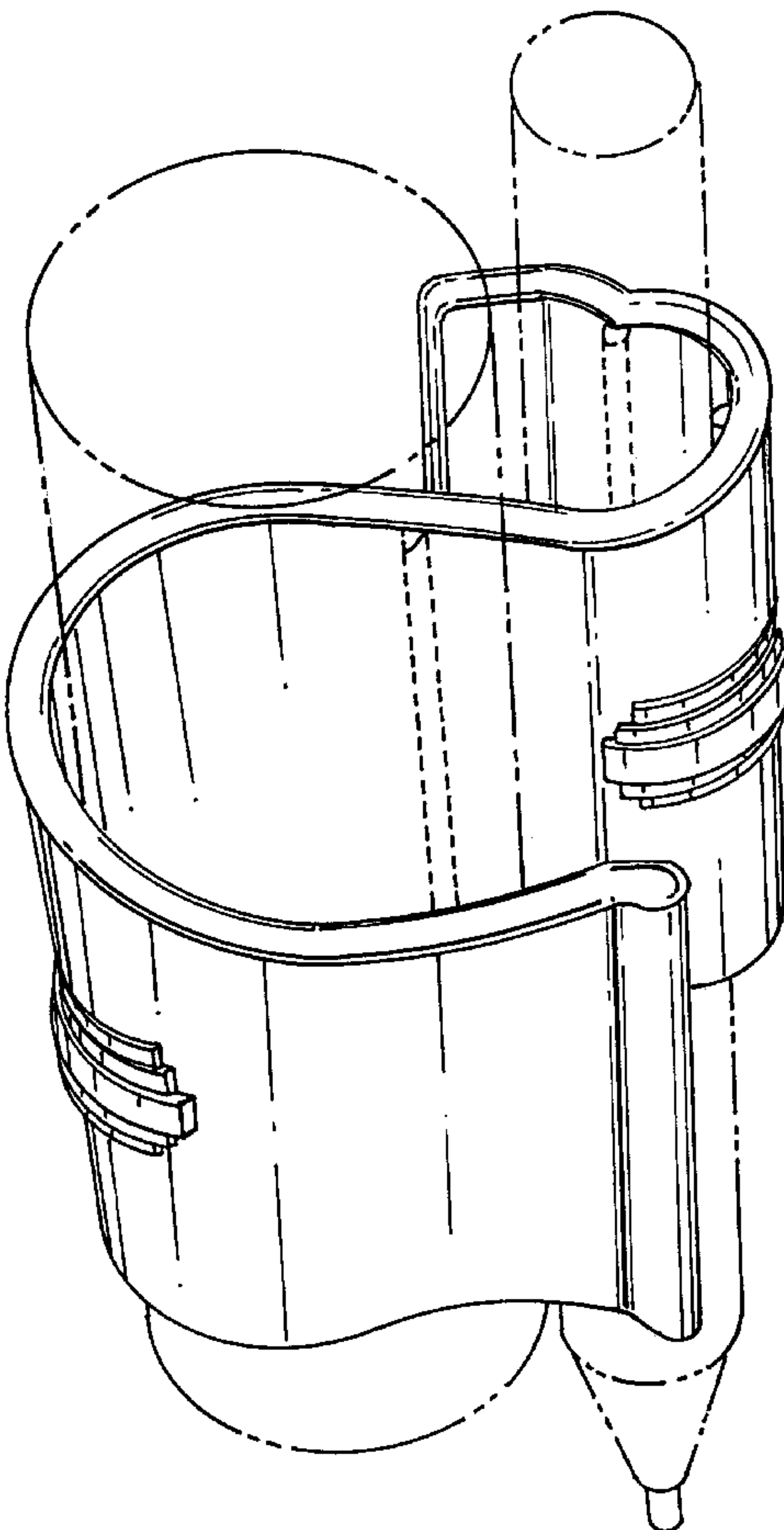
#### U.S. PATENT DOCUMENTS

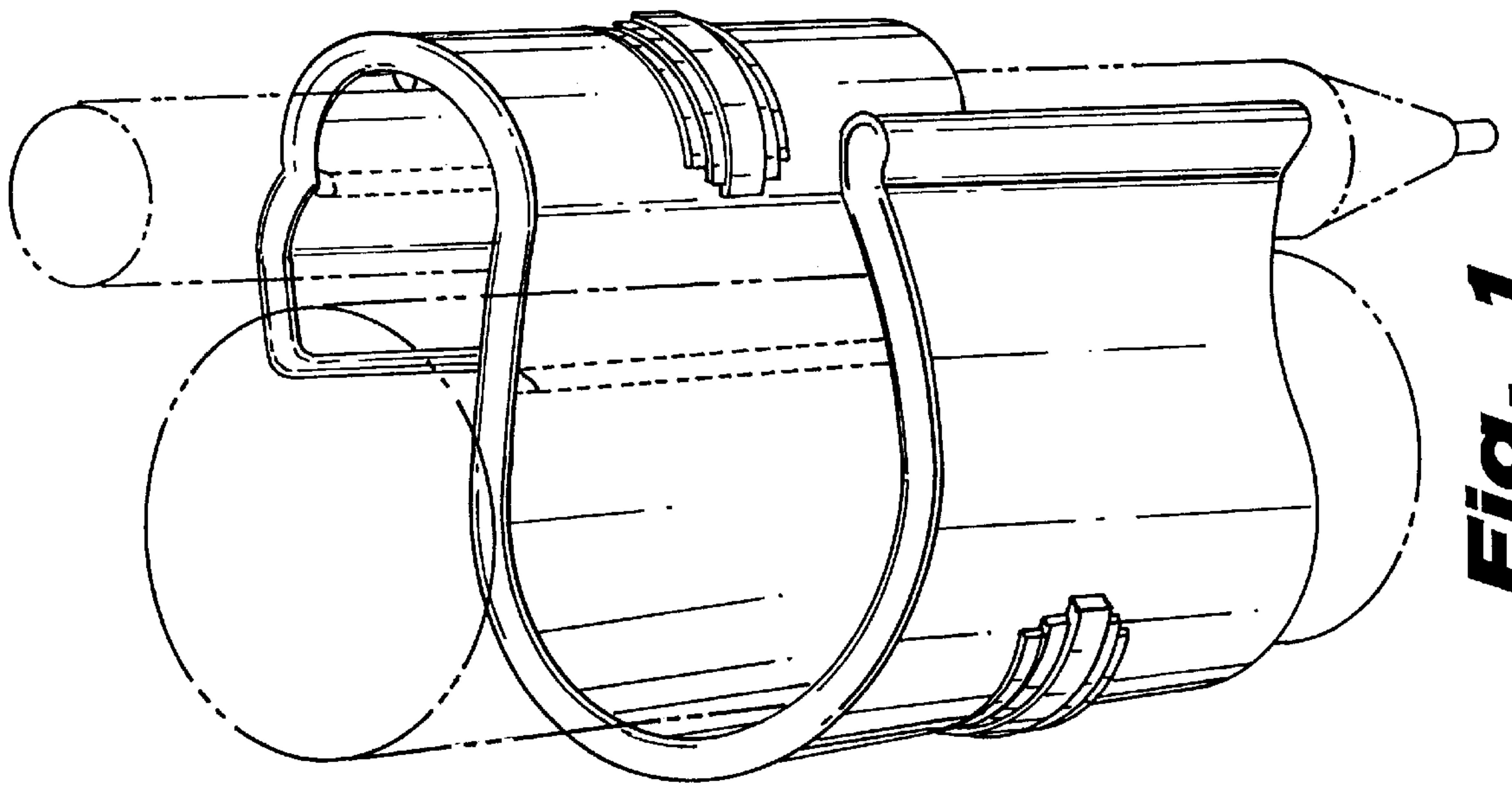
D. 344,449 2/1994 Ward ..... D8/395  
D. 366,410 1/1996 Schlabach ..... D8/395  
1,324,308 12/1919 Crossan ..... 24/339  
1,462,714 7/1923 Marchand ..... 24/546  
1,899,509 2/1933 Lapin ..... 24/399 X  
3,983,602 10/1976 Barry ..... 224/247 X  
4,050,187 9/1977 Geiger et al. .... 24/339 X

### DESCRIPTION

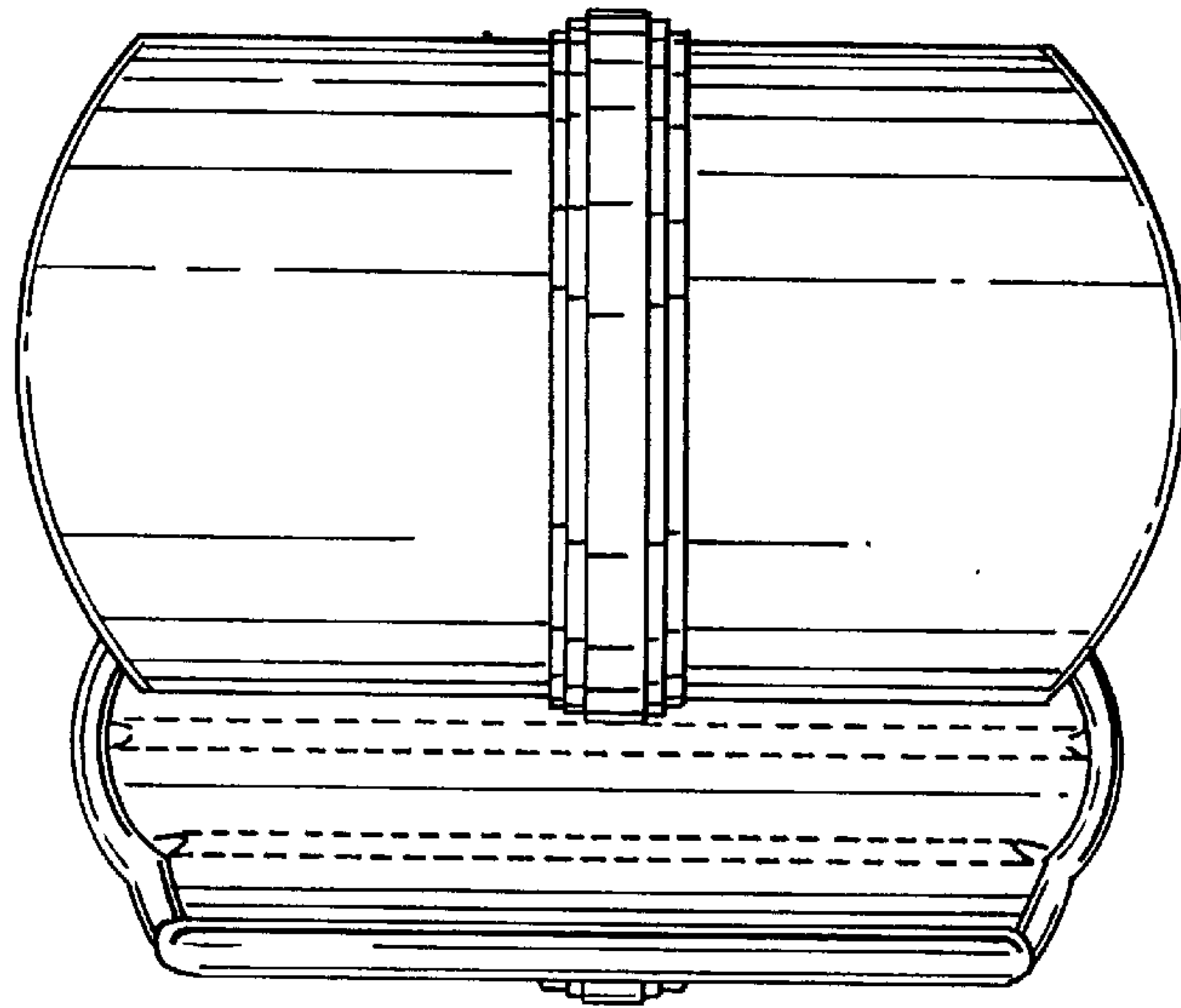
FIG. 1 is a top and right side perspective view showing my new design in use, the broken lines showing the lipstick barrel, lip liner pencil and inner ribs being for illustrative purposes only and forming no part of the claimed design; FIG. 2 is a front elevation view thereof; FIG. 3 is a rear view thereof; FIG. 4 is a left side elevational view thereof; FIG. 5 is a right side elevational thereof; and, FIG. 6 is a top plan view thereof; the bottom view being a mirror image thereof.

**1 Claim, 3 Drawing Sheets**

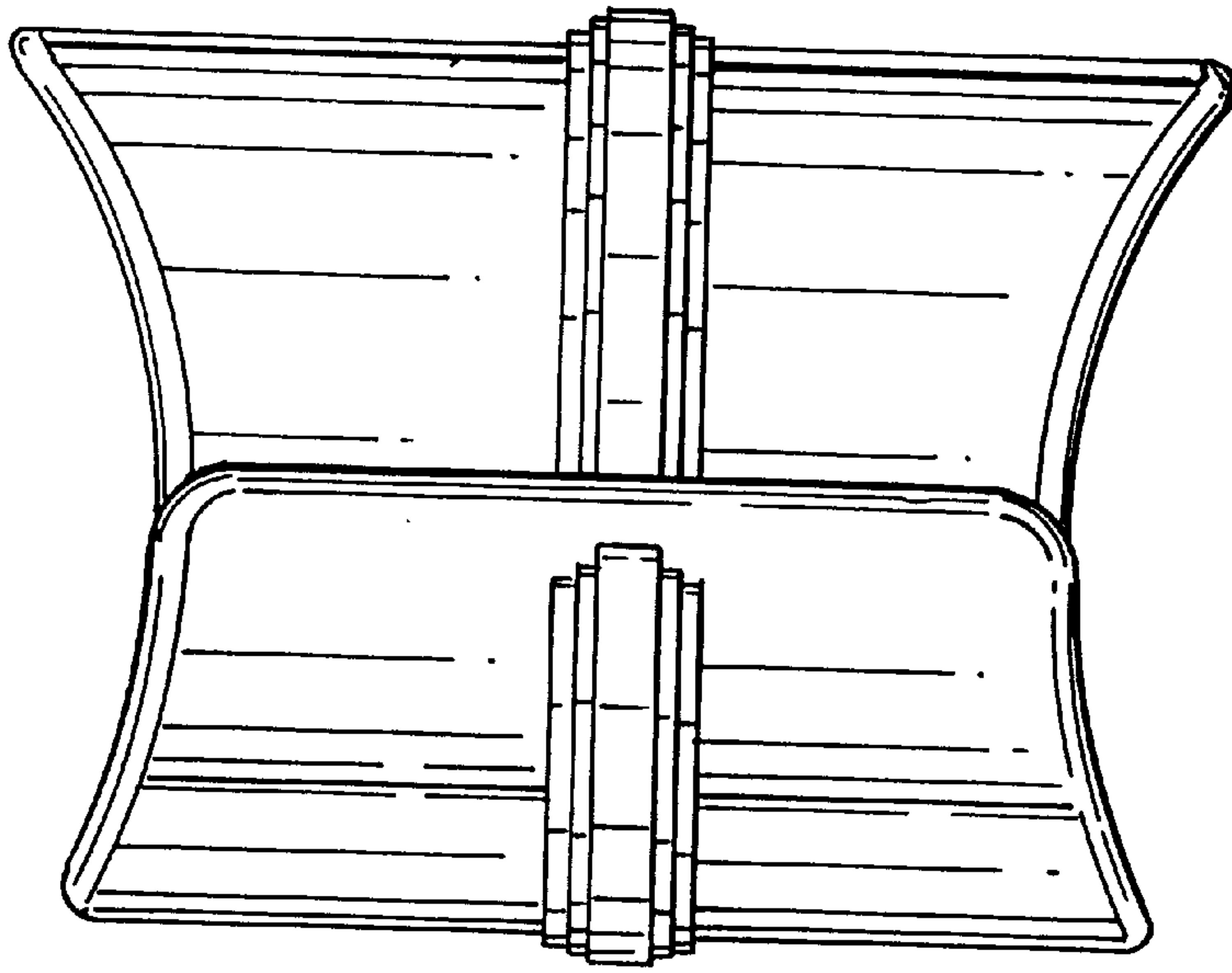




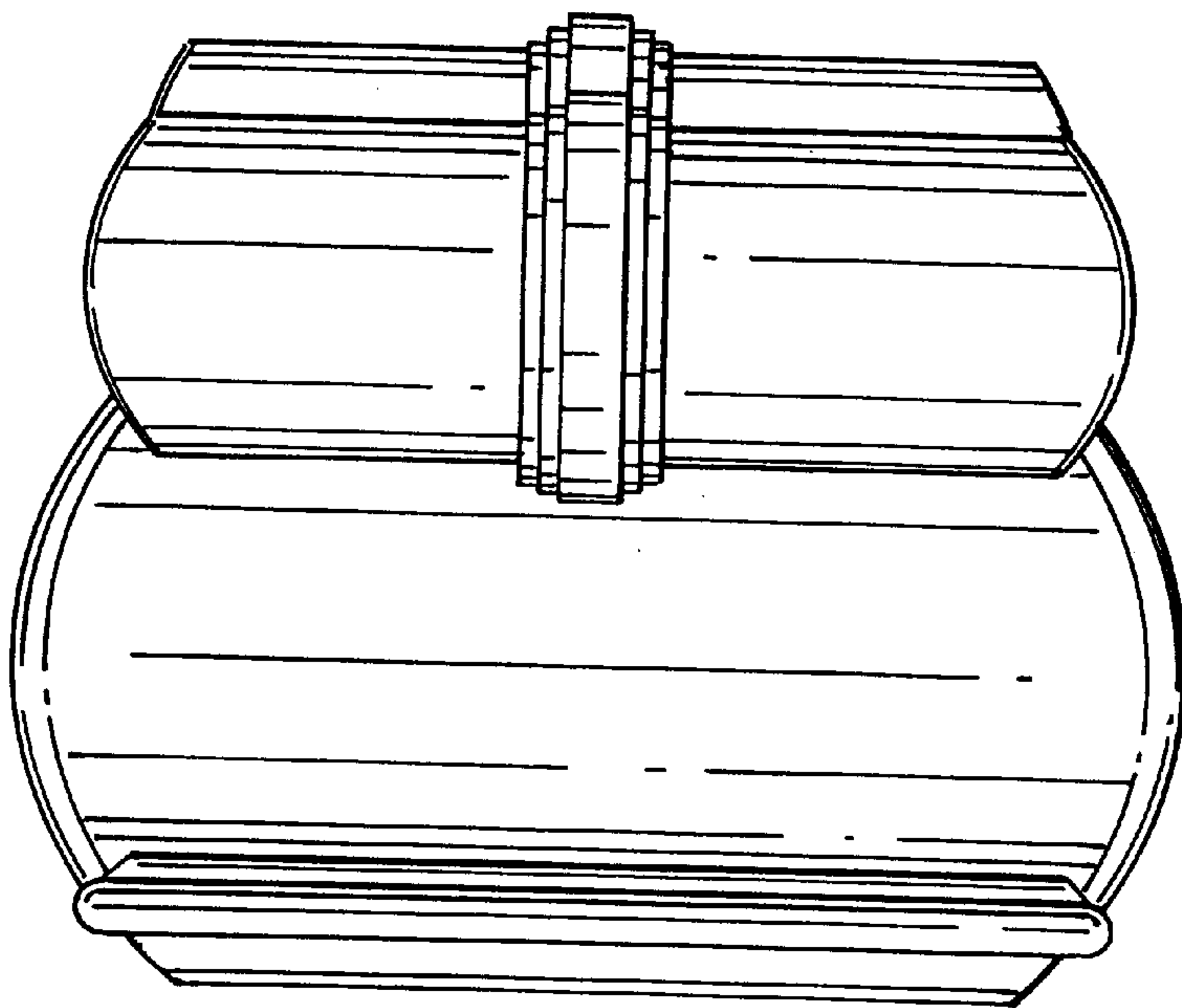
**Fig. 1**



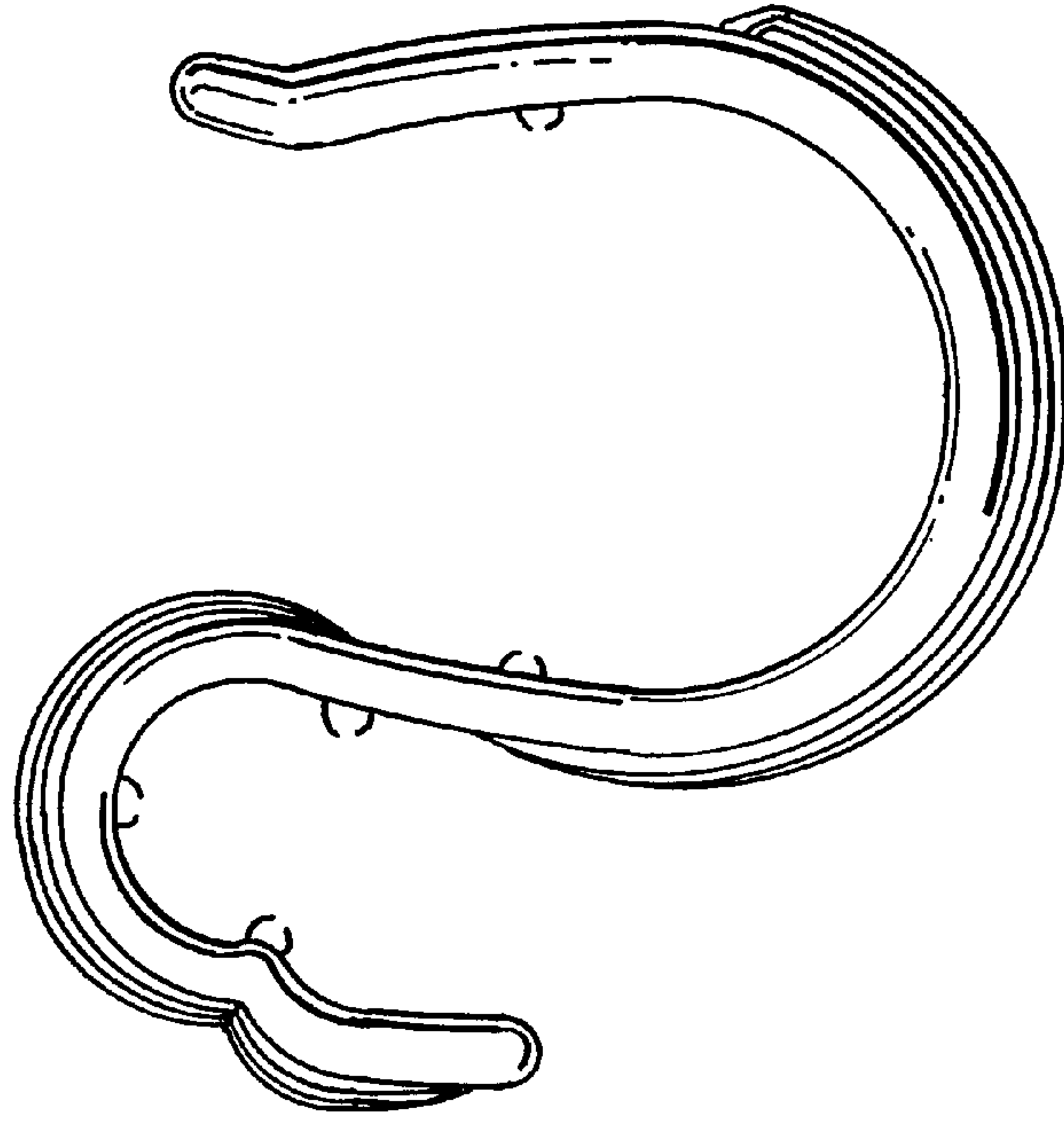
**Fig. 2**



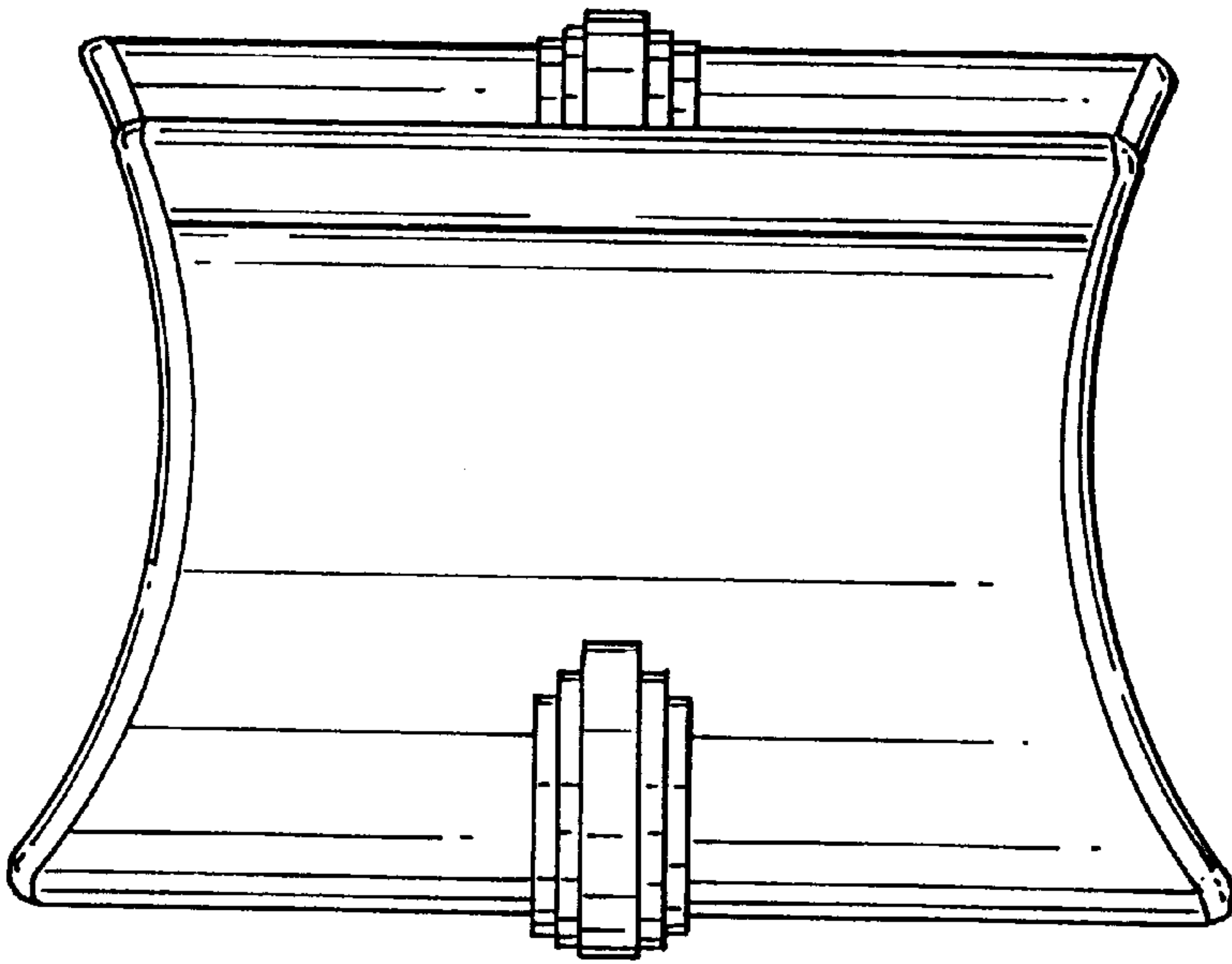
**Fig. 4**



**Fig. 3**



**Fig. 6**



**Fig. 5**