



US00D412600S

United States Patent [19]

Oh et al.

[11] Patent Number: **Des. 412,600**

[45] Date of Patent: **** Aug. 3, 1999**

[54] **FOOT SPA**

4,610,040 9/1986 Concato 4/622

[75] Inventors: **Jeong Bong Oh**, College Point; **Chan Oh Back**, Woodside, both of N.Y.

Primary Examiner—Stella Reid
Attorney, Agent, or Firm—Baker & Botts, L.L.P.

[73] Assignee: **Aproman, Inc.**, Flushing, N.Y.

[57] CLAIM

[**] Term: **14 Years**

The ornamental design of a foot spa of the present invention, as shown and described.

[21] Appl. No.: **29/086,606**

DESCRIPTION

[22] Filed: **Apr. 16, 1998**

[51] **LOC (6) Cl.** **28-03**

[52] **U.S. Cl.** **D28/56; D24/204; D28/9**

[58] **Field of Search** D24/204, 205;
4/574.1, 622; 424/61, 94.65; D28/61, 56,
9

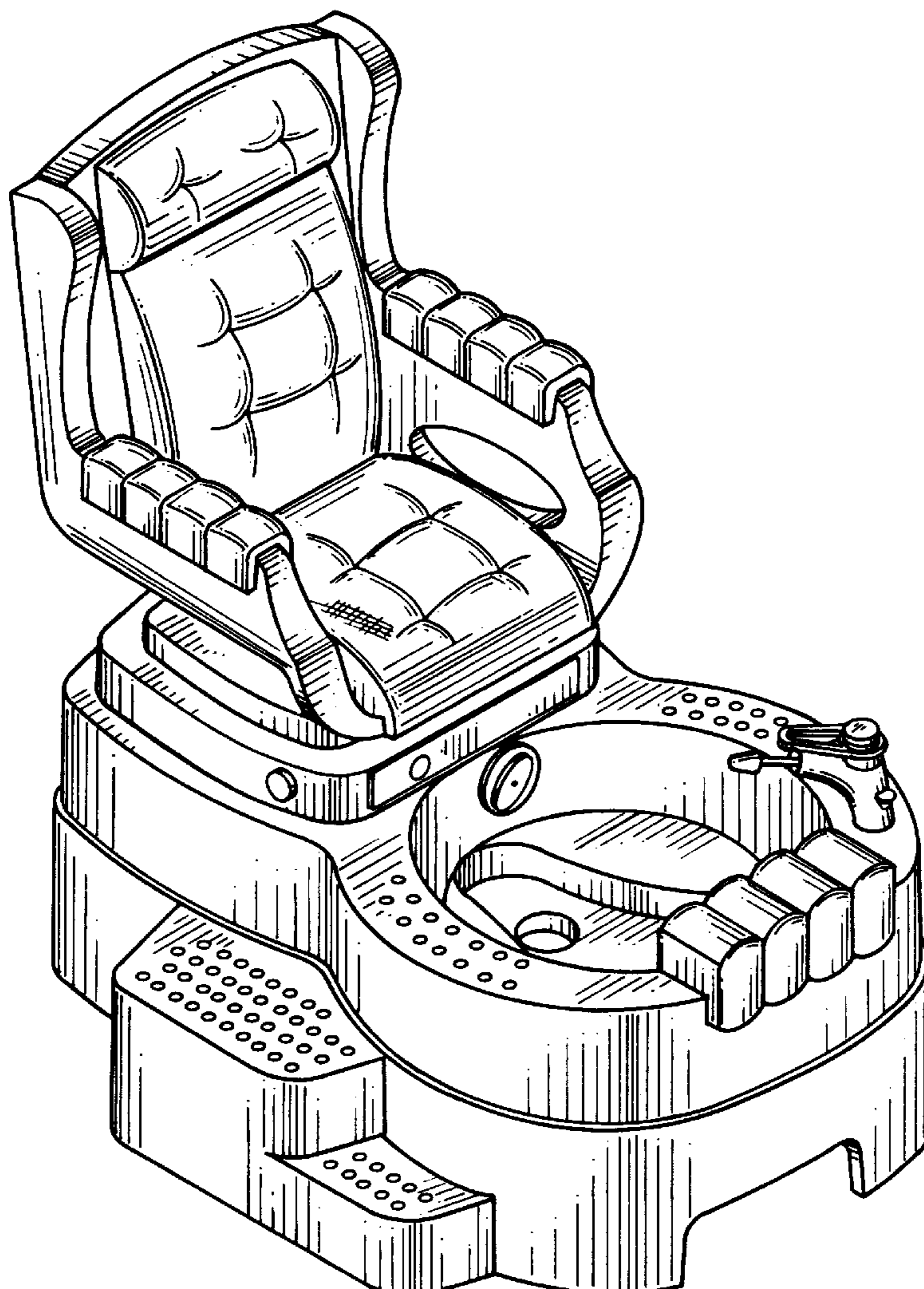
FIG. 1 is a three-dimensional perspective view of the foot spa of the present invention;
FIG. 2 is a front view of the foot spa of the present invention;
FIG. 3 is a top view of the foot spa of the present invention;
FIG. 4 is a right side view of the foot spa of the present invention;
FIG. 5 is a left side view of the foot spa of the present invention;
FIG. 6 is a back view of the foot spa of the present invention;
and,
FIG. 7 is a bottom view of the foot spa of the present invention.

[56] References Cited

U.S. PATENT DOCUMENTS

D. 187,122	1/1960	Johnson	D28/61
D. 288,729	3/1987	Meyerovich et al.	D28/61
D. 303,162	8/1989	Meyerovich et al.	D28/61

1 Claim, 7 Drawing Sheets



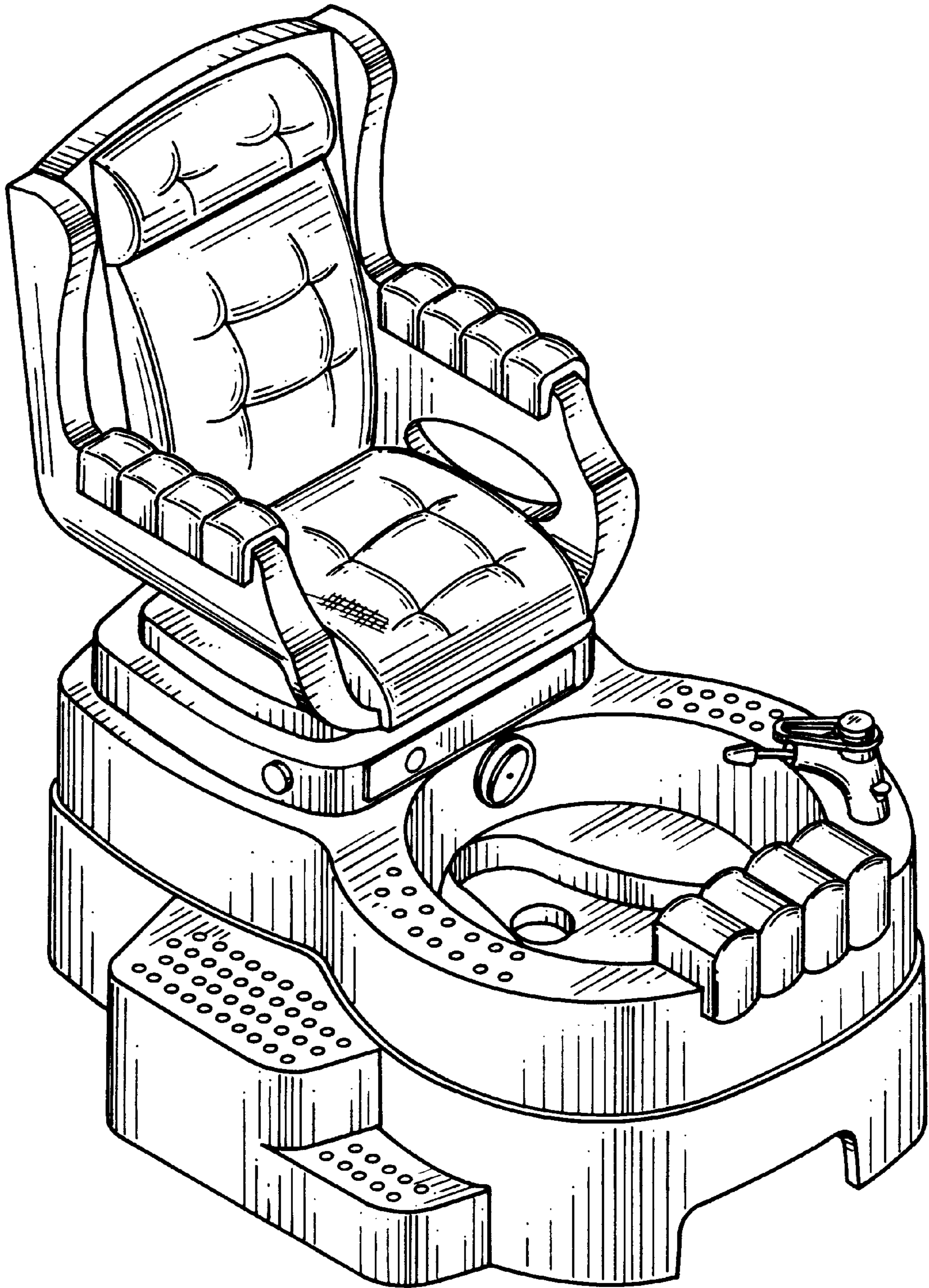


FIG. 1

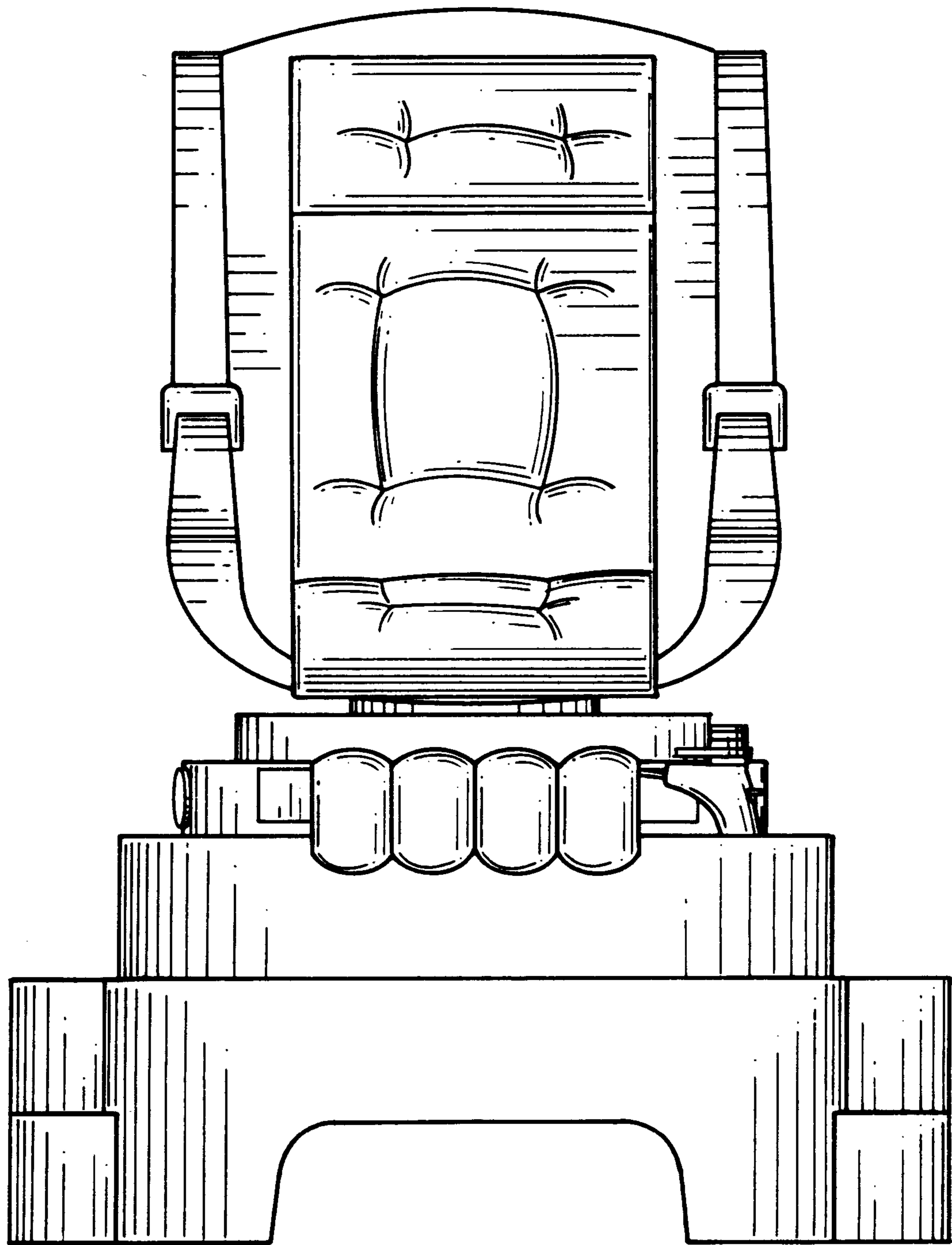


FIG. 2

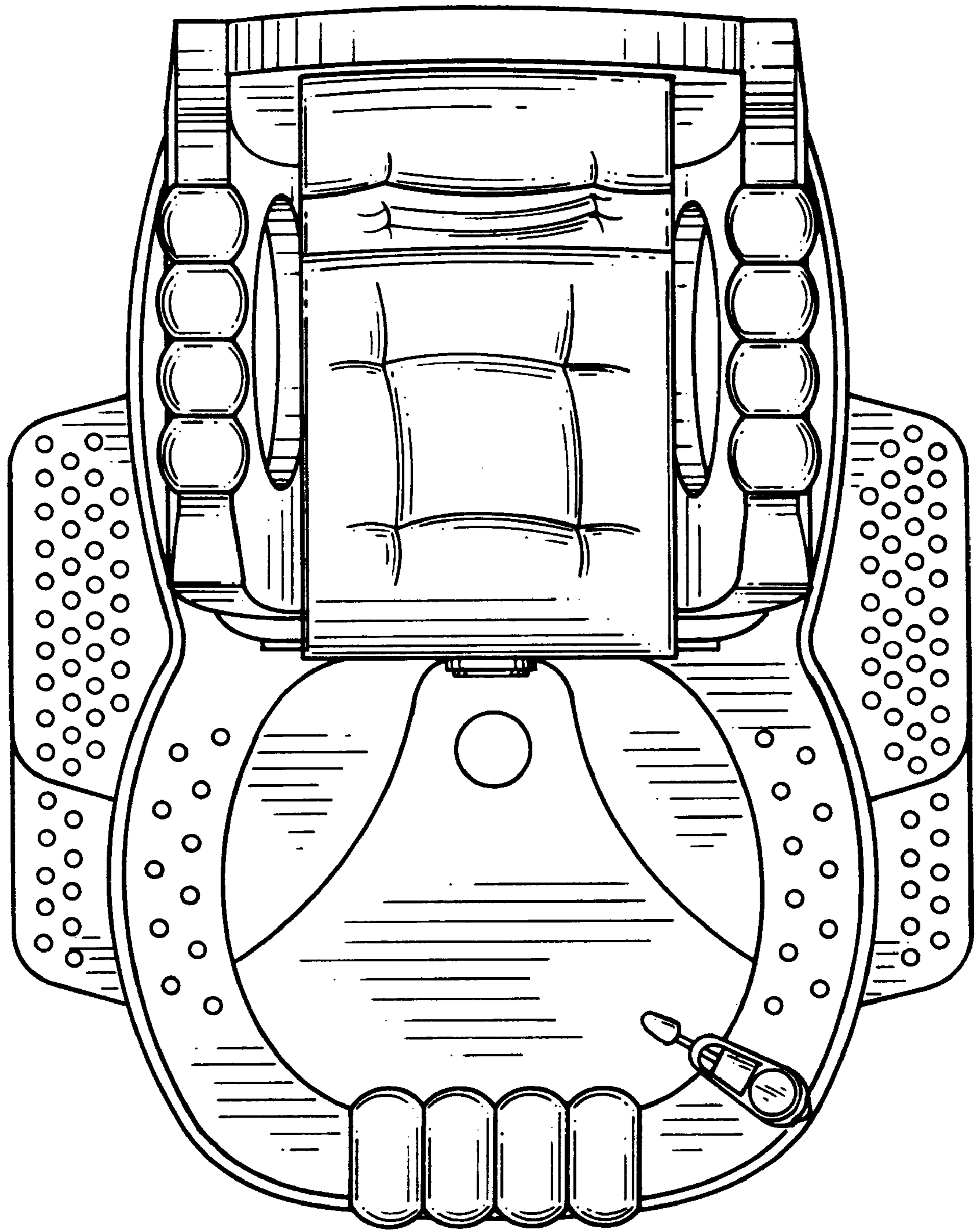


FIG. 3

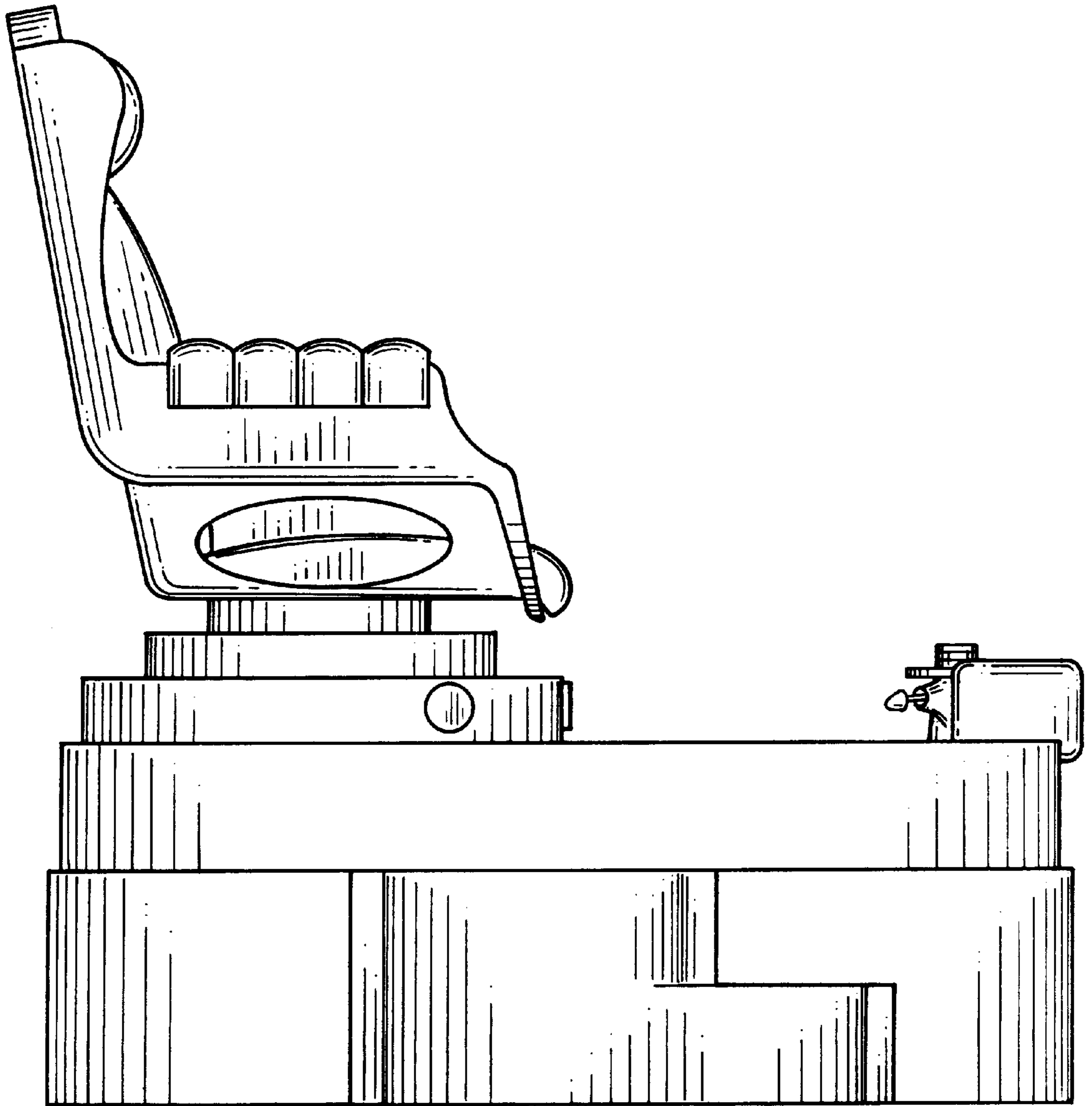


FIG. 4

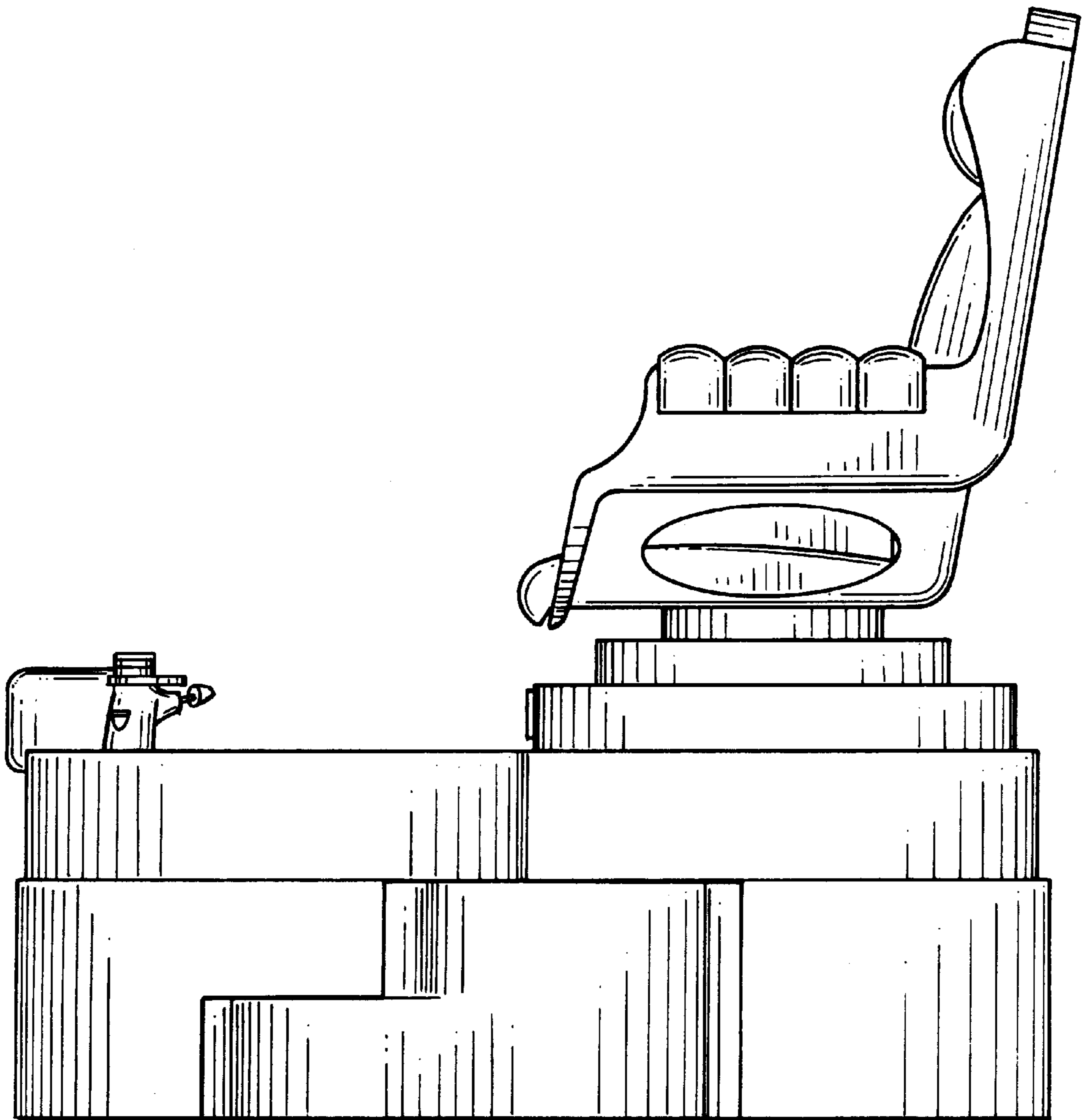


FIG. 5

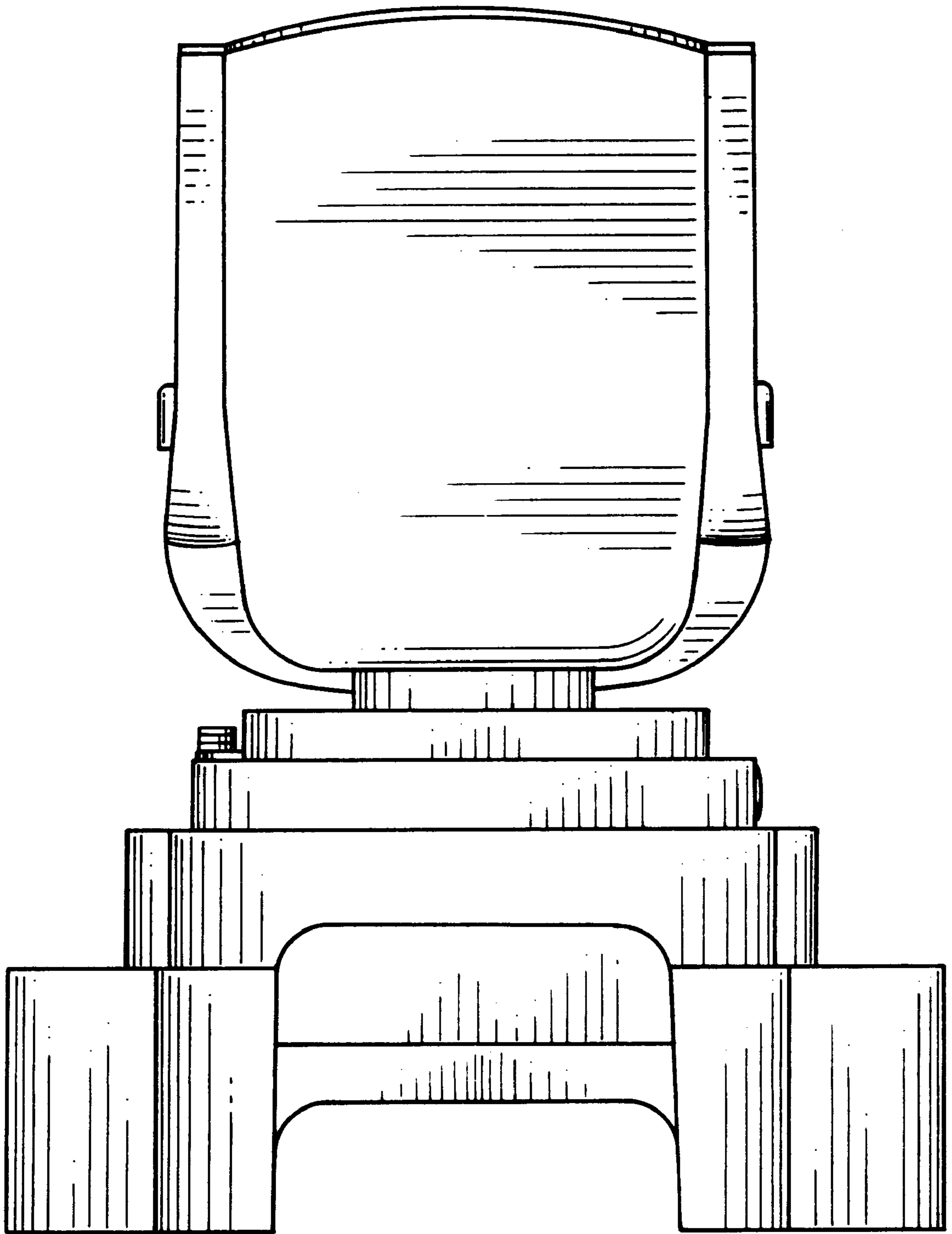


FIG. 6

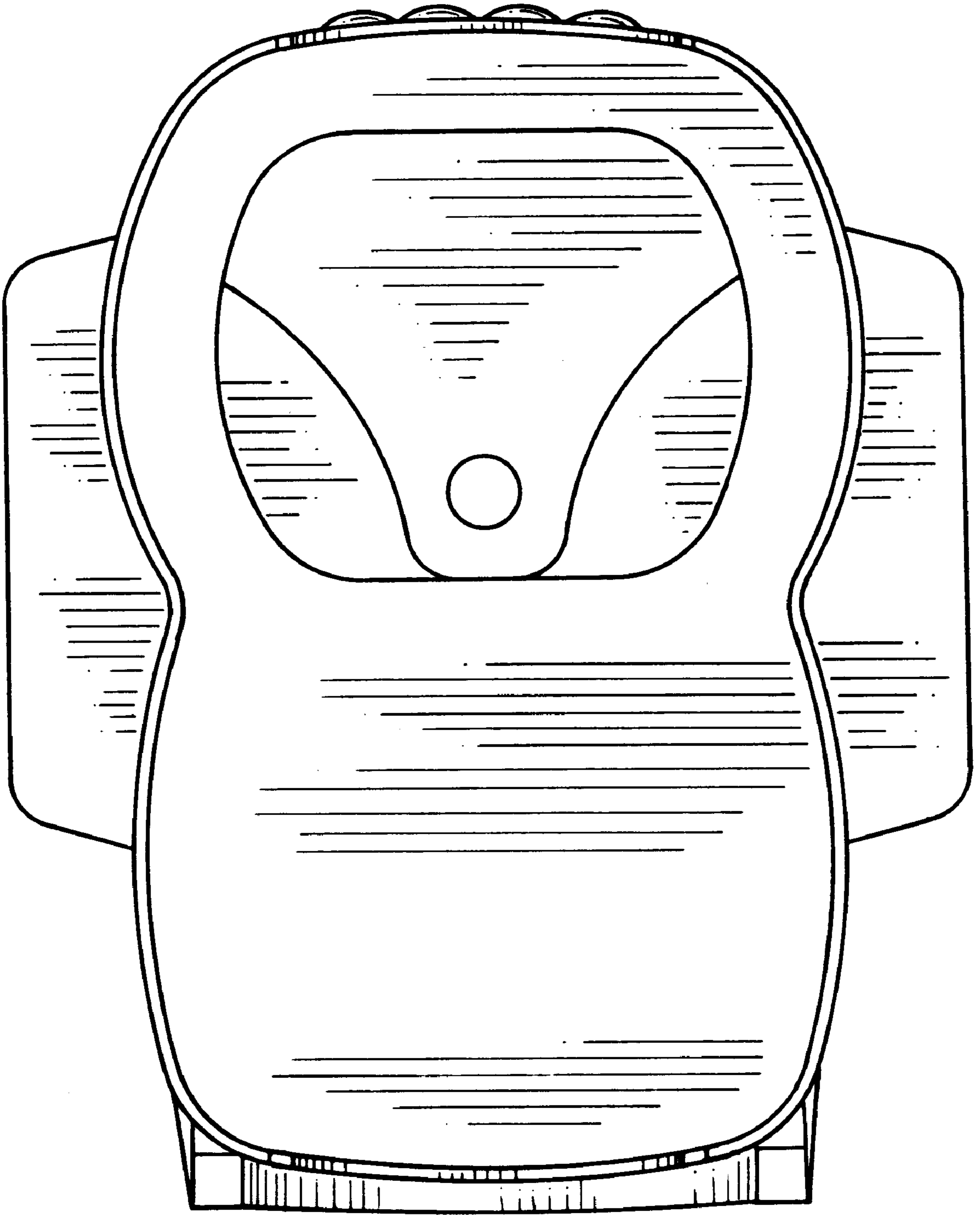


FIG. 7