



US00D412592S

United States Patent [19]

[11] Patent Number: **Des. 412,592**

Kowalenko et al.

[45] Date of Patent: **** Aug. 3, 1999**

[54] **LIGHT FIXTURE**

[75] Inventors: **Alexander Kowalenko**, Barrington;
Marvin Feig, Northbrook, both of Ill.

[73] Assignee: **Good Earth Lighting, Inc.**, Wheeling,
Ill.

[**] Term: **14 Years**

[21] Appl. No.: **29/092,358**

[22] Filed: **Aug. 17, 1998**

[51] **LOC (6) Cl.** **26-05**

[52] **U.S. Cl.** **D26/63; D26/87**

[58] **Field of Search** D26/72, 80, 81,
D26/82, 83, 84, 85, 86, 87, 88, 89, 90;
362/147, 404-408, 33, 240, 249, 250, 252,
269, 275, 287, 418, 419, 427

[56] **References Cited**

U.S. PATENT DOCUMENTS

D. 232,049	7/1974	Lakm et al.	D26/63
D. 254,094	1/1980	Jaksich	D26/63
D. 267,516	1/1983	Rambusch et al.	D26/72
D. 286,916	11/1986	Worrell	D26/72
D. 360,270	7/1995	Shemitz	D26/63 X
3,702,928	11/1972	Alger	362/33
4,449,167	5/1984	Cohen	362/269

Primary Examiner—Susan J. Lucas
Attorney, Agent, or Firm—Seidul, Gonda, Lavorgna &
Monaco, PC

[57] **CLAIM**

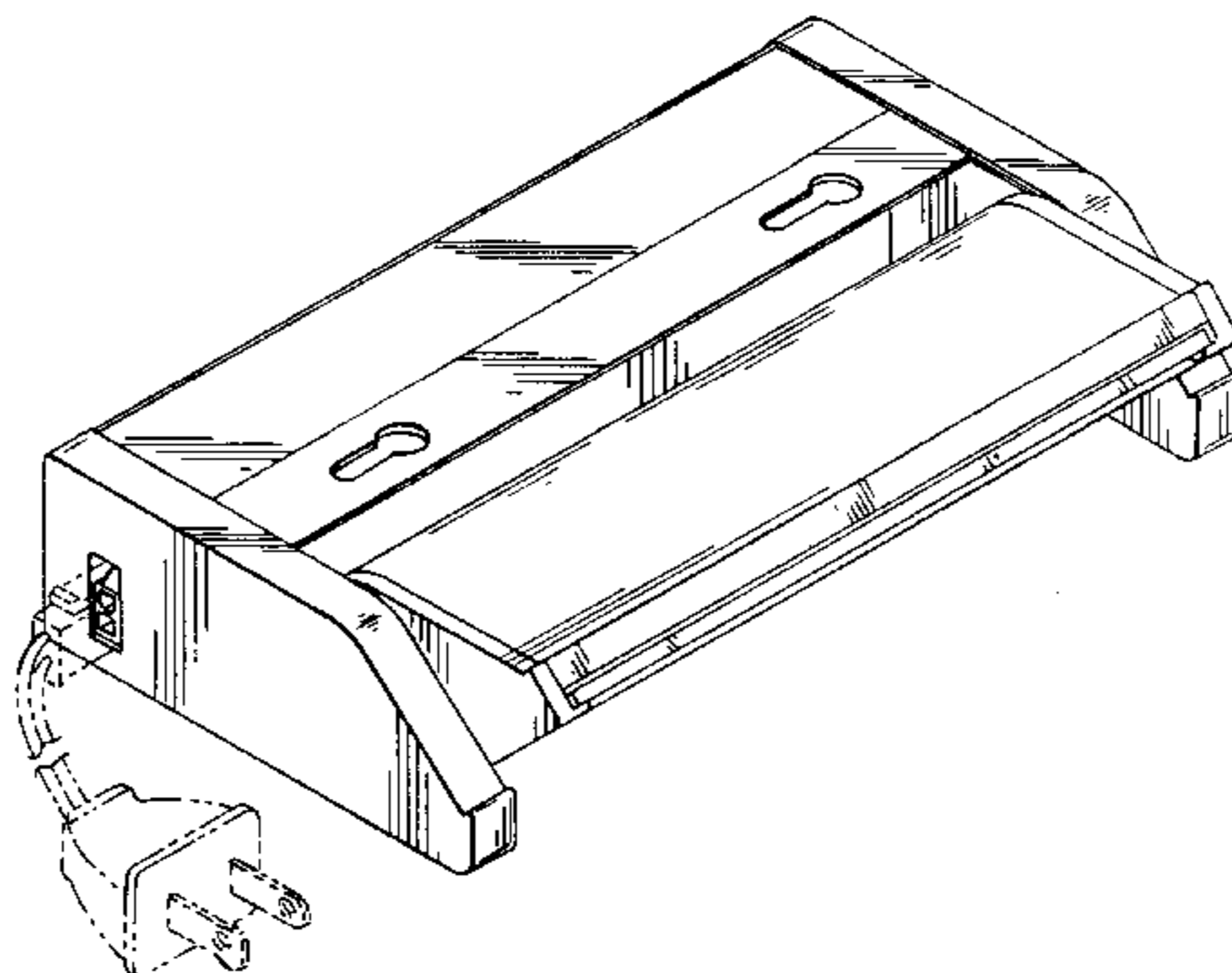
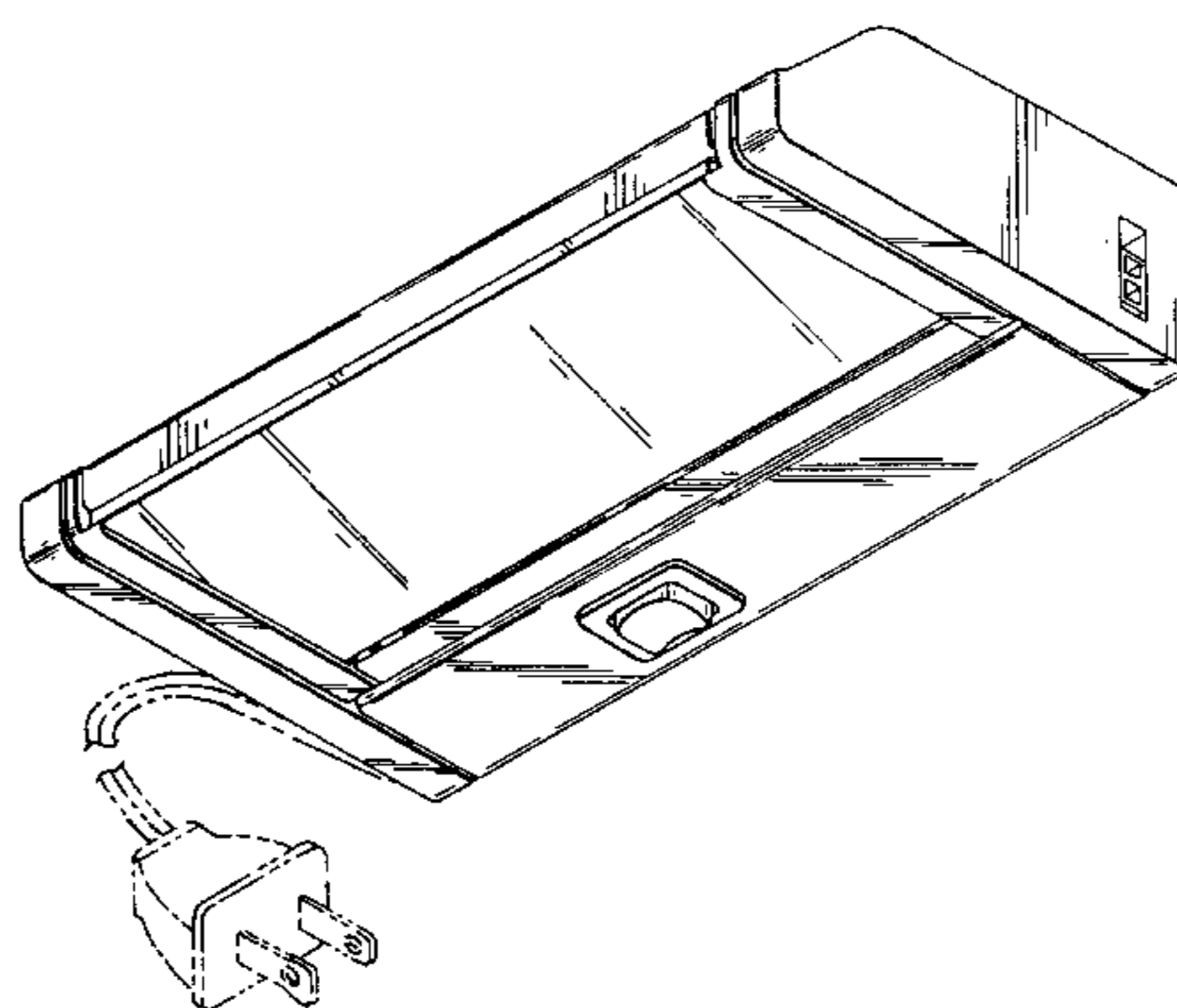
The ornamental design for a light fixture, as shown and described.

DESCRIPTION

FIG. 1 is a perspective view of the light fixture as seen from below;
 FIG. 2 is a perspective view of the light fixture as seen from above;
 FIG. 3 is a top plan view of the light fixture;
 FIG. 4 is a bottom plan view of the light fixture;
 FIG. 5 is a front elevation view of the light fixture;
 FIG. 6 is a rear elevation view of the light fixture;
 FIG. 7 is a right side elevation view of the light fixture;
 FIG. 8 is a left side elevation view of the light fixture;
 FIG. 9 is a perspective view of the light fixture as seen from above, similar to FIG. 1, showing a portion of the fixture in a second position;
 FIG. 10 is a perspective view of the light fixture as seen from above, similar to FIG. 1, showing a portion of the fixture in a third position;
 FIG. 11 is a perspective view of the light fixture as seen from below, similar to FIG. 1, showing a second embodiment of the design;
 FIG. 12 is a perspective view of the light fixture as seen from below, similar to FIG. 1, showing a third embodiment of the design; and,
 FIG. 13 is a perspective view of the light fixture as seen from below, similar to FIG. 1, showing a fourth embodiment of the design.

It is understood that embodiments 2, 3, and 4 differ from the first embodiment only in proportions.

1 Claim, 6 Drawing Sheets



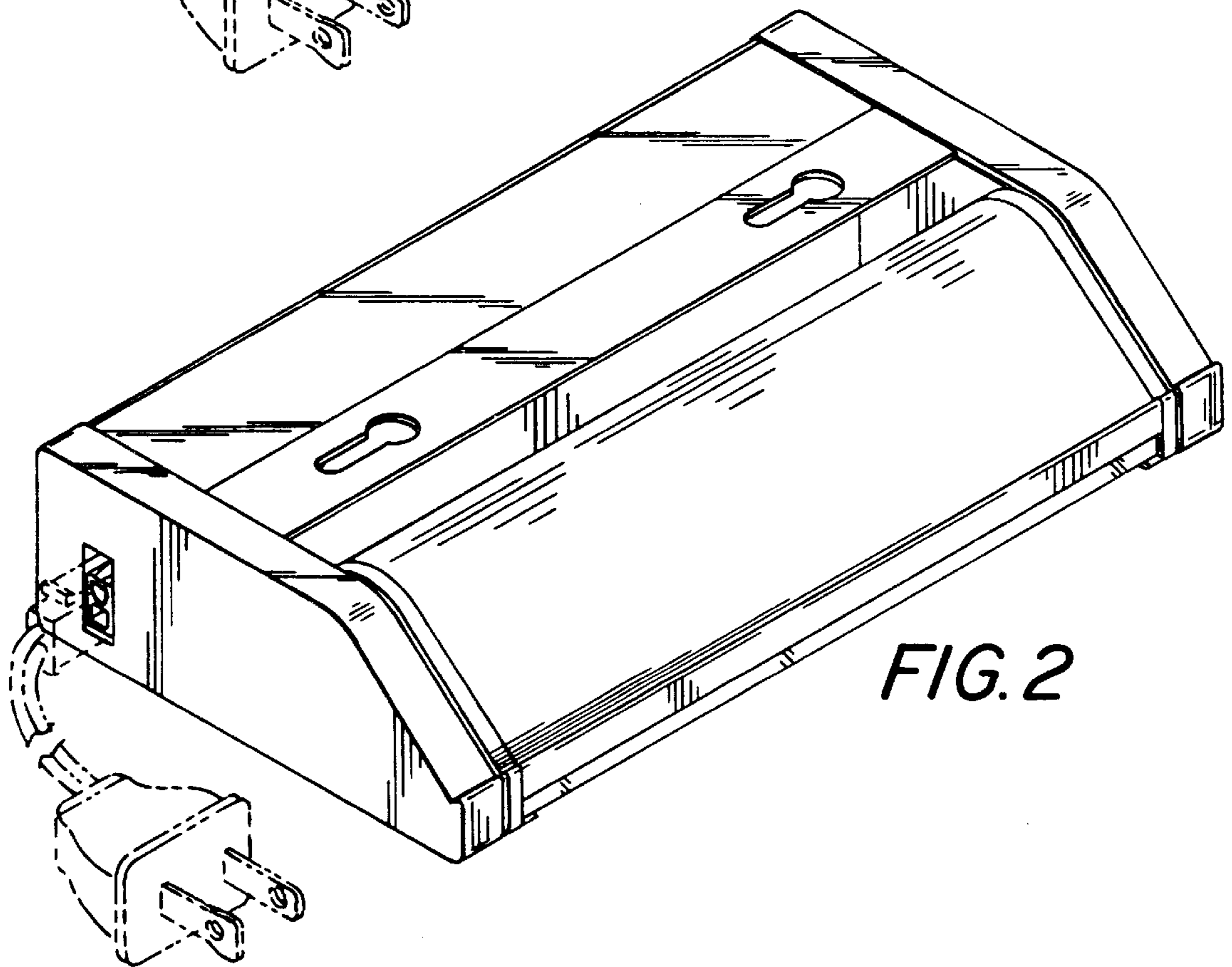
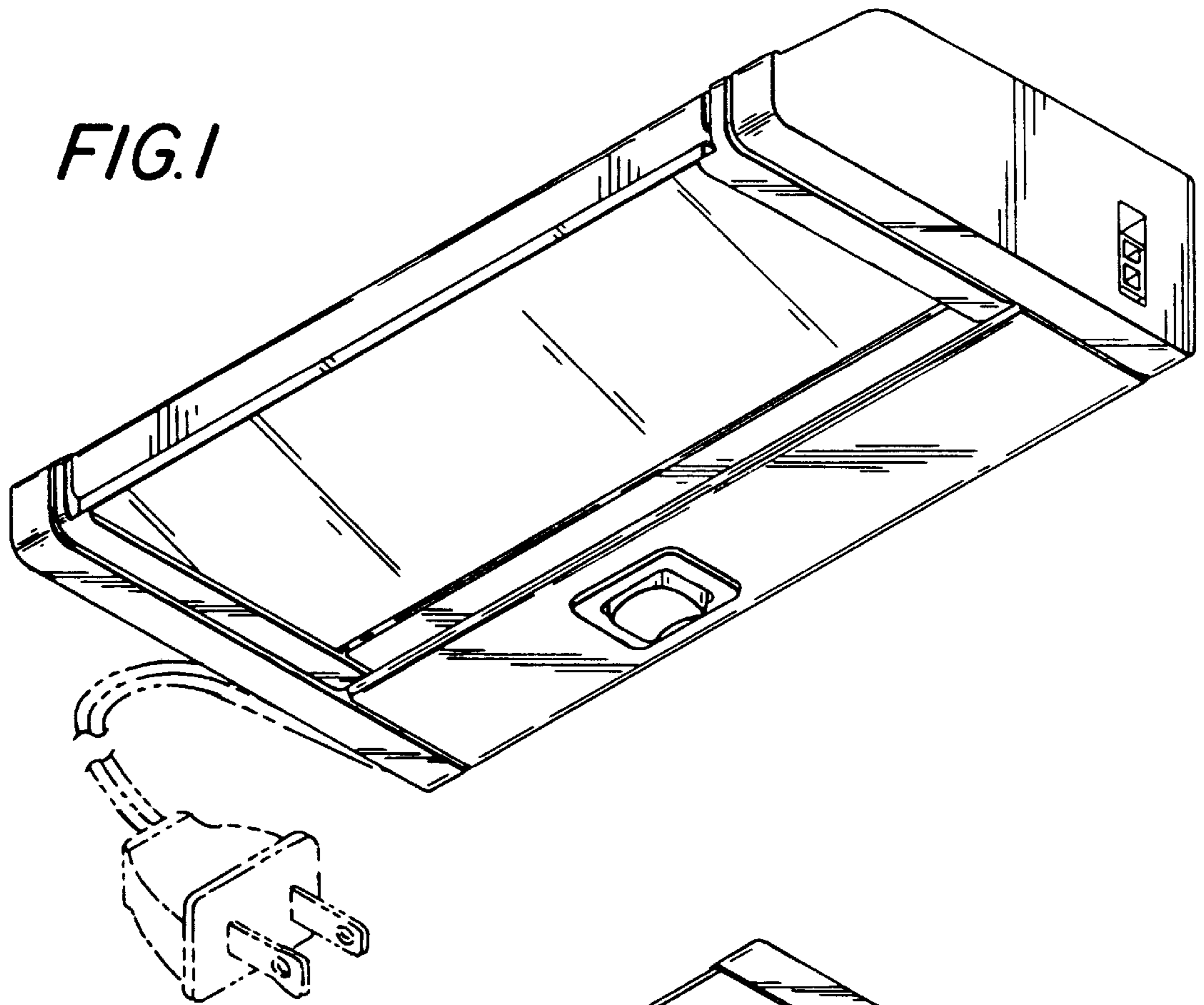


FIG. 3

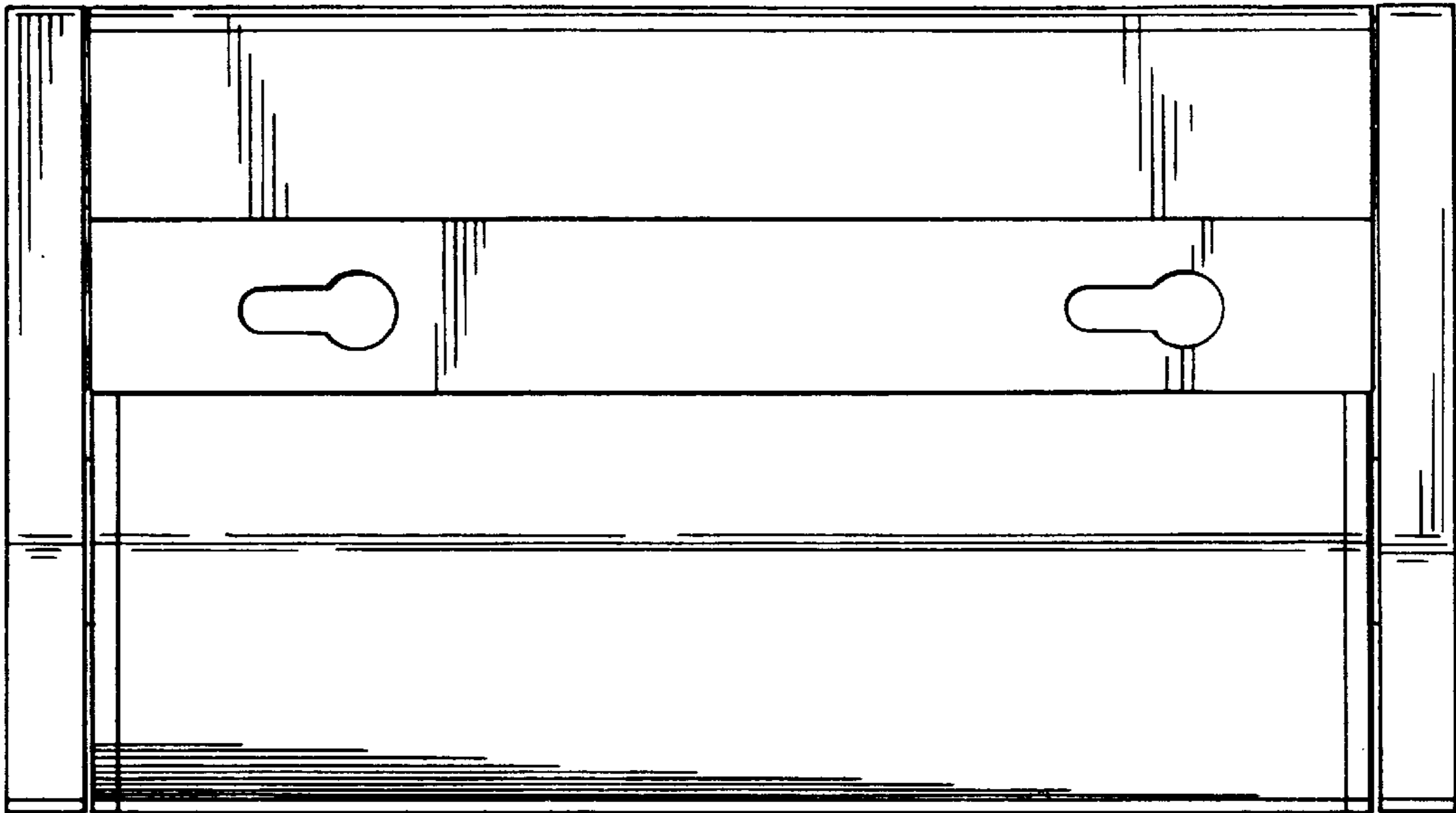


FIG. 4

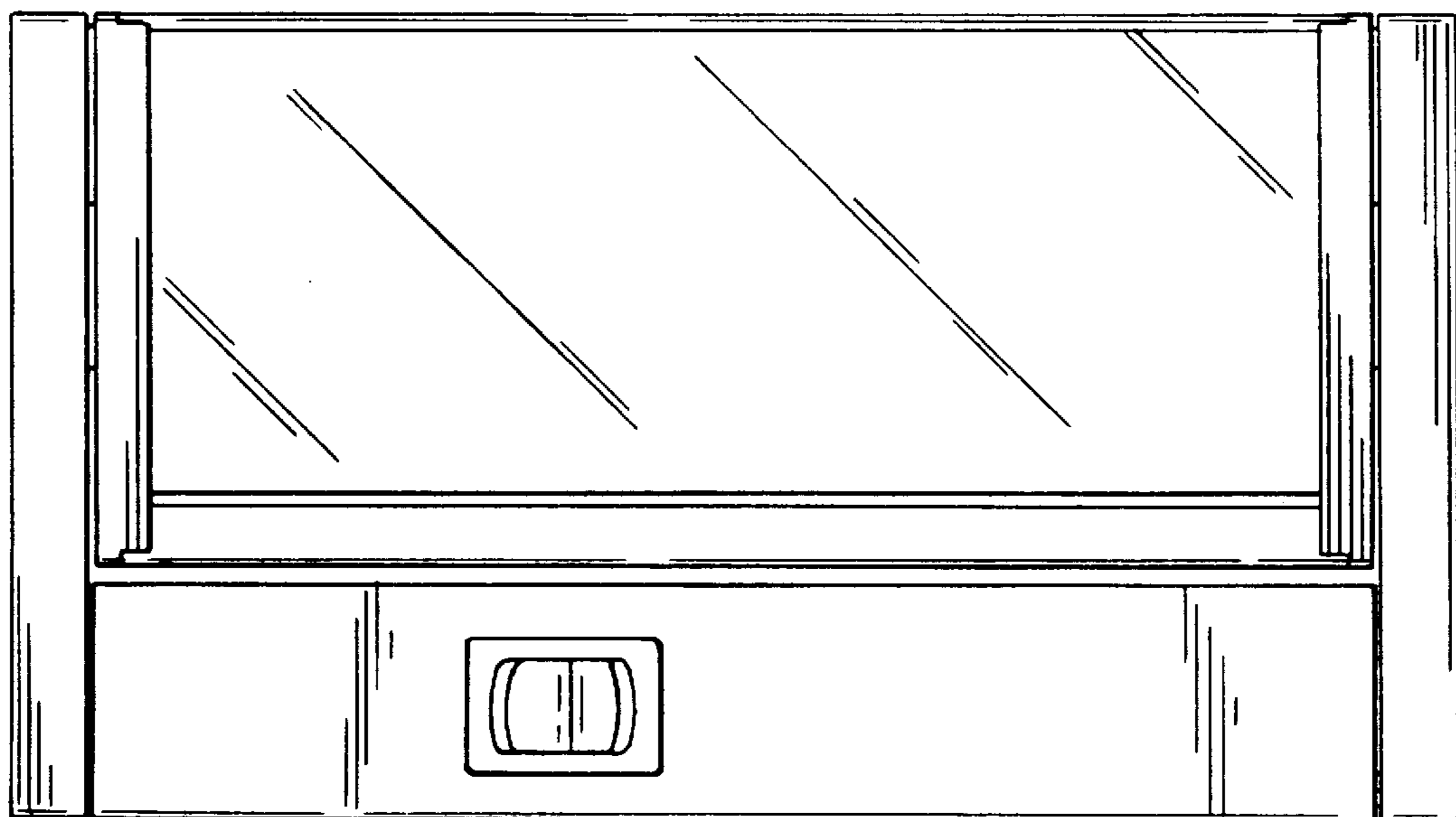


FIG. 5

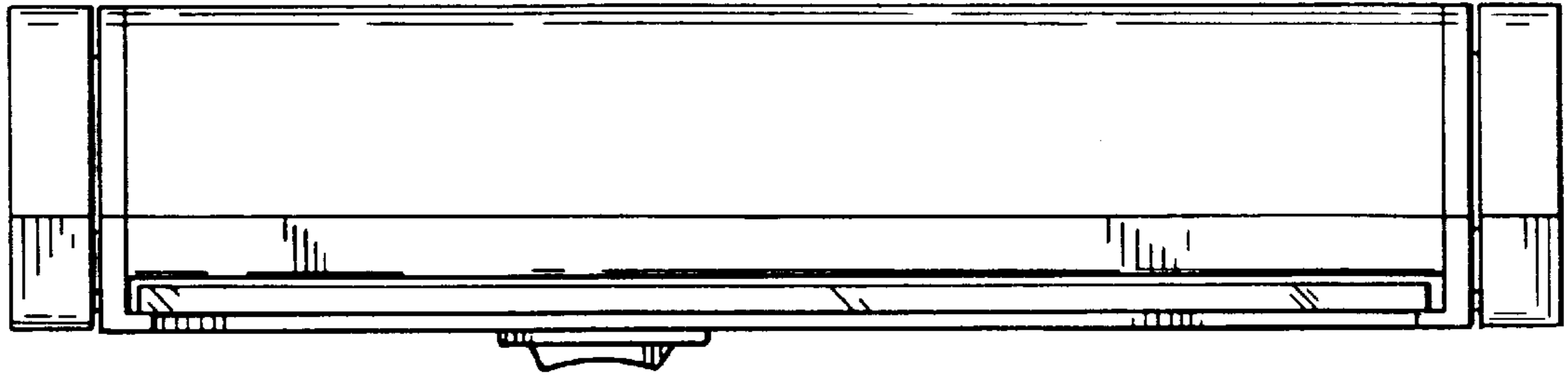


FIG. 6

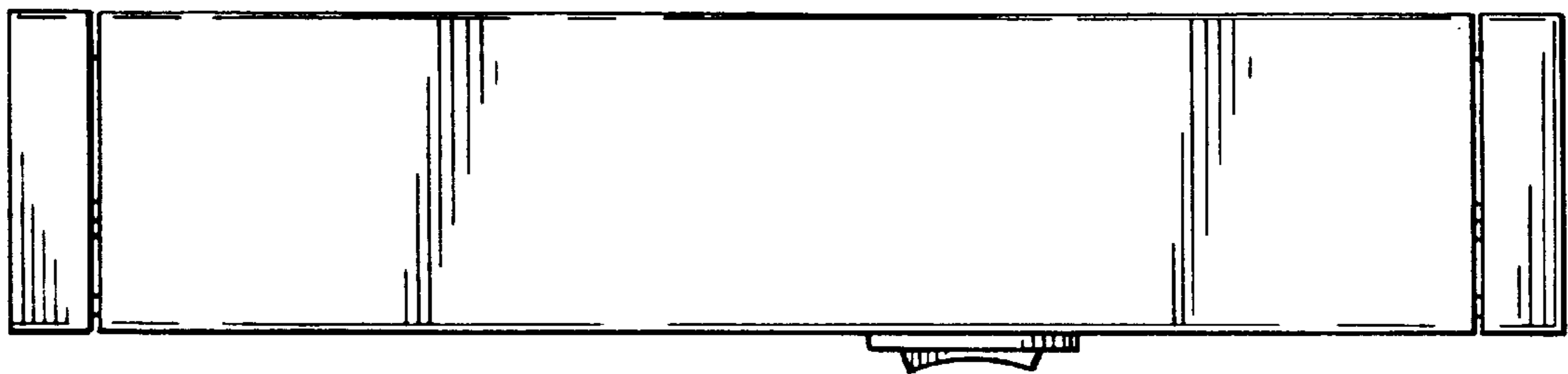


FIG. 7

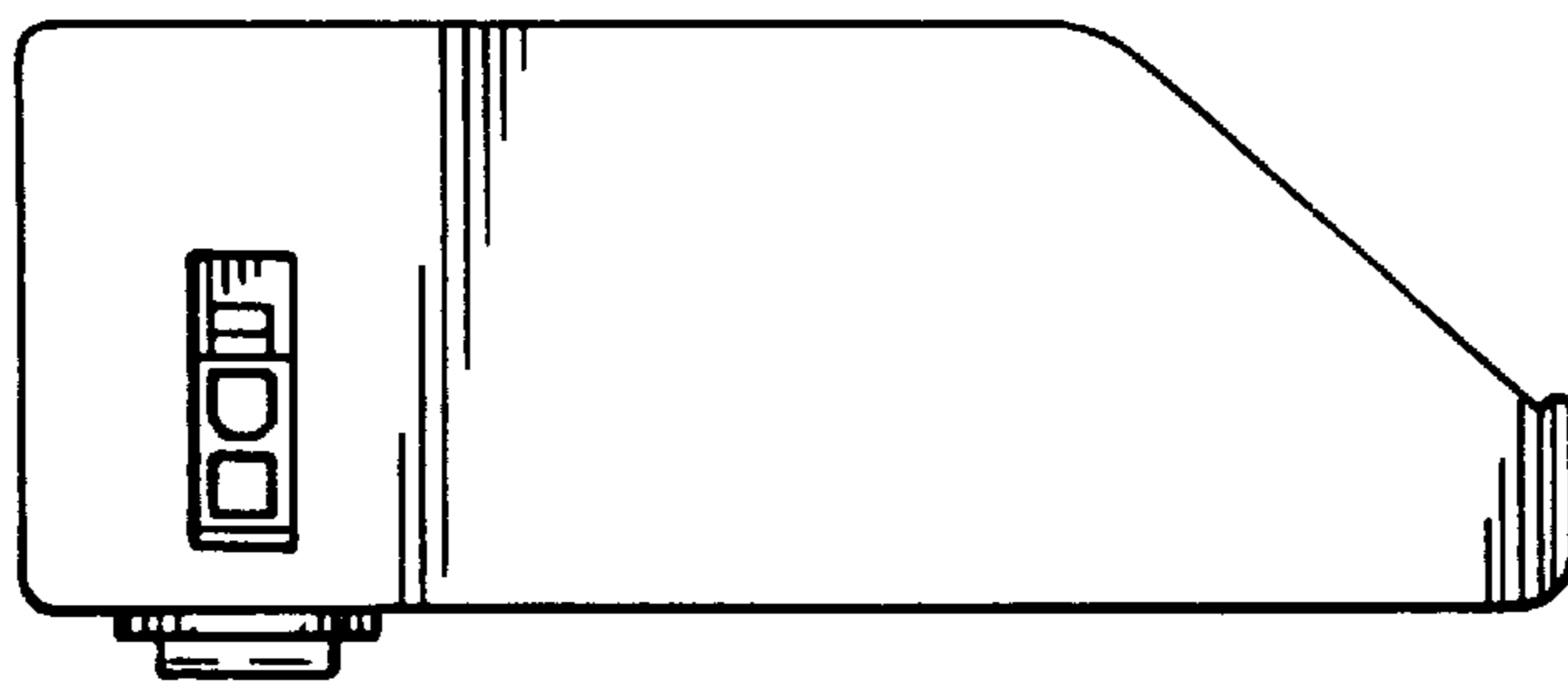
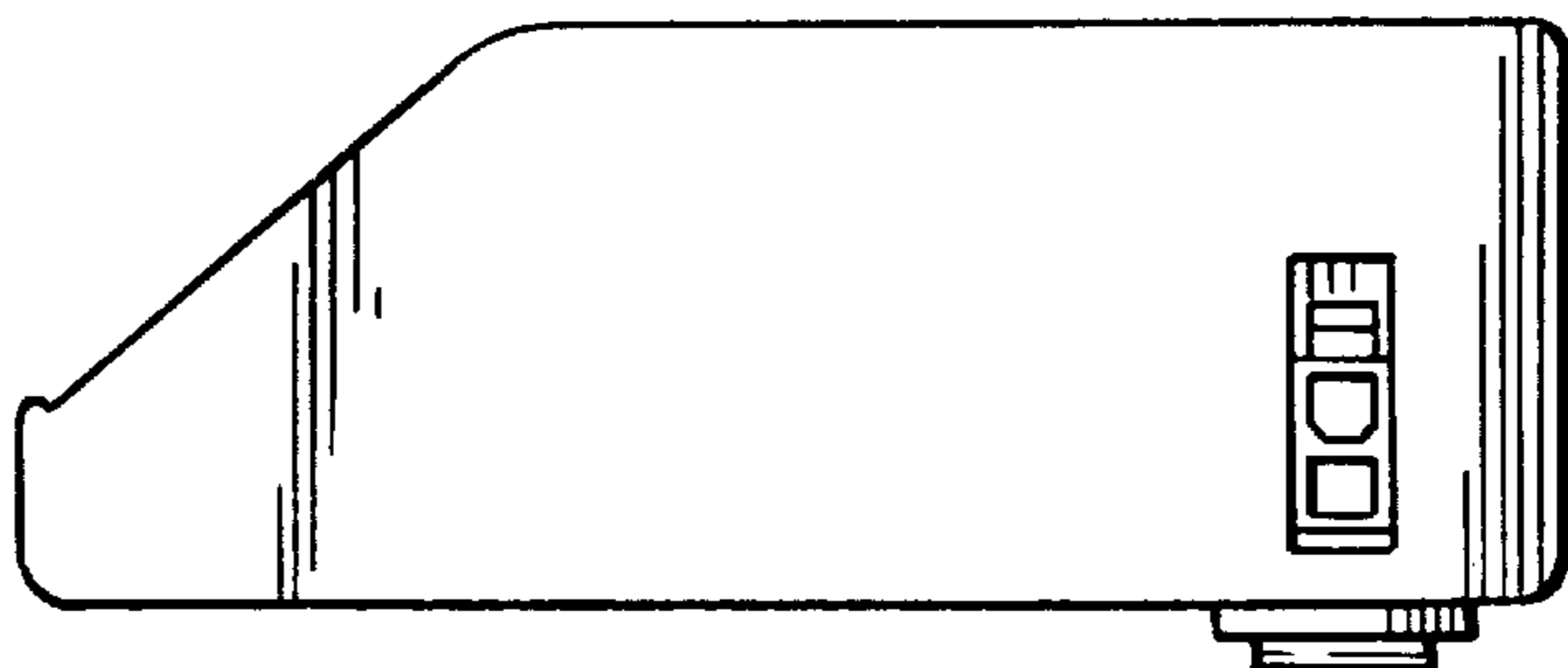


FIG. 8



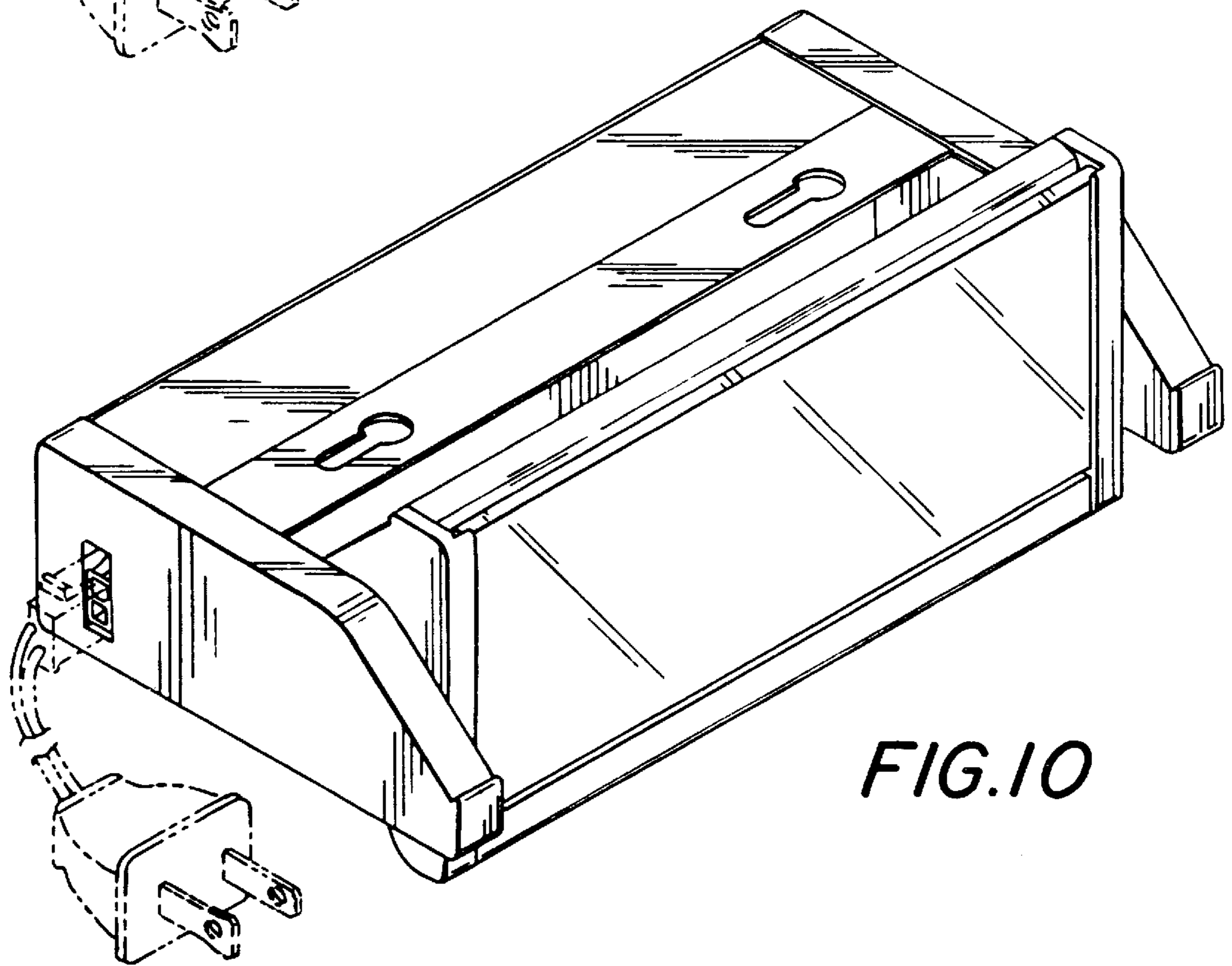
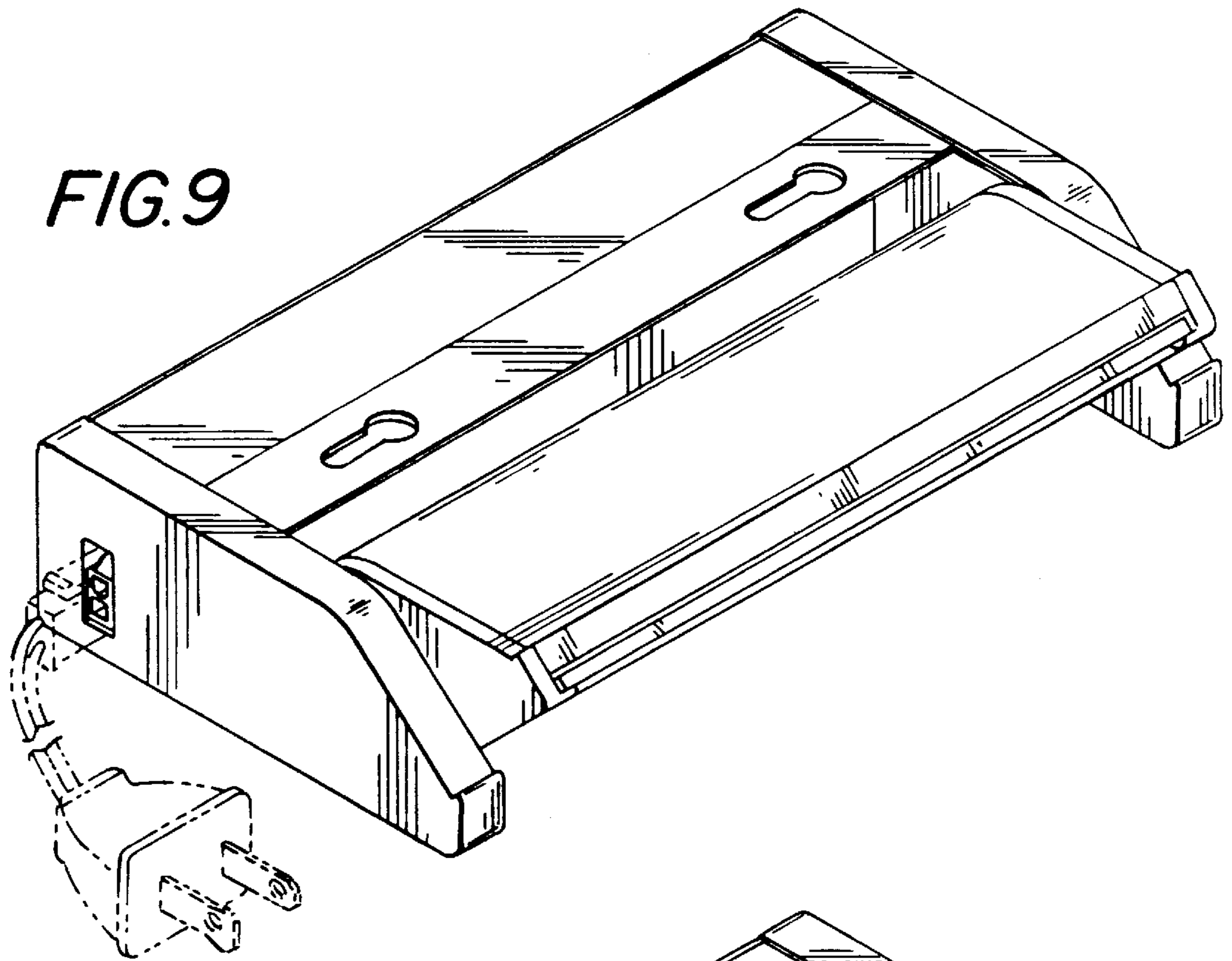


FIG. 11

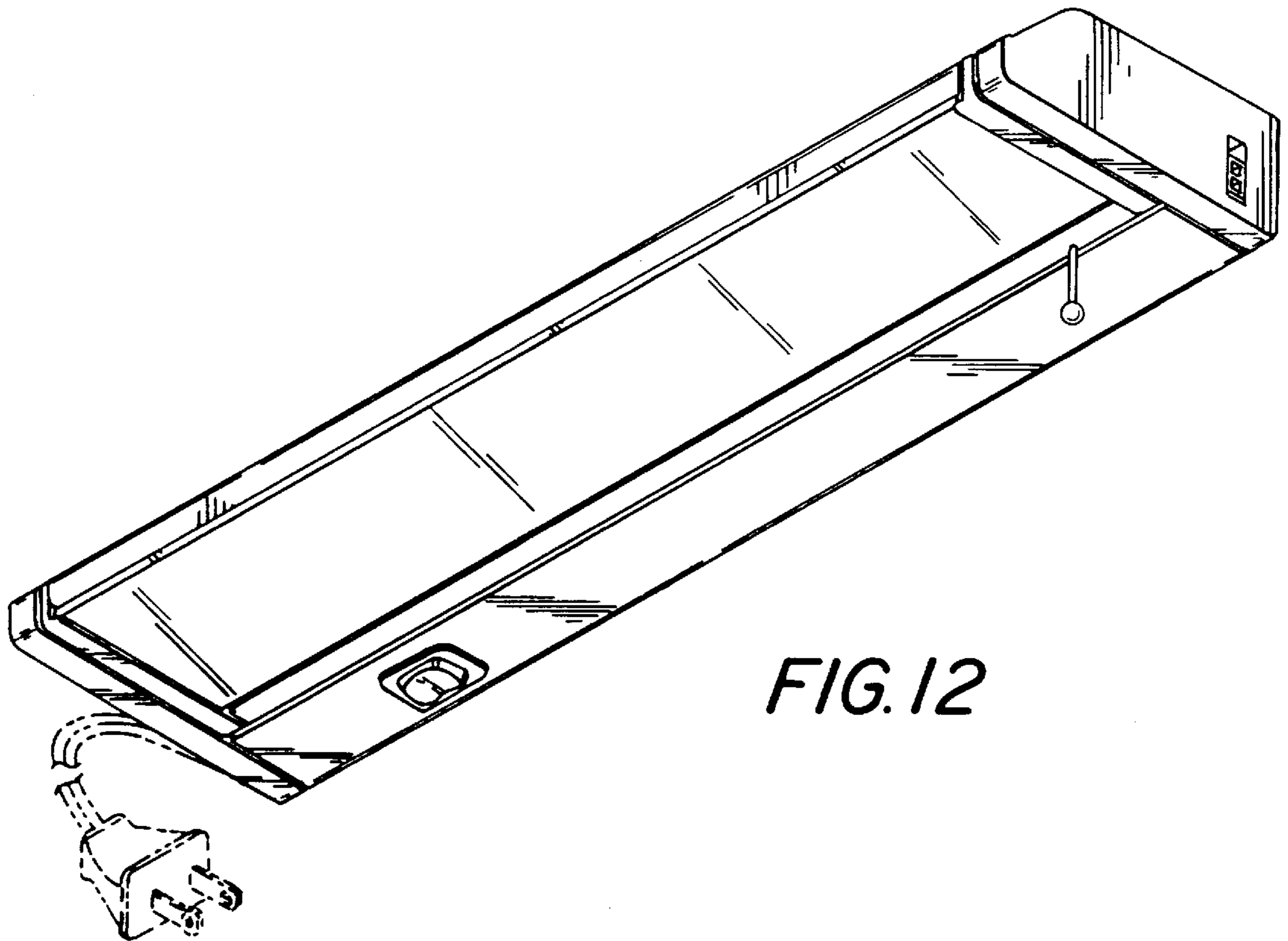
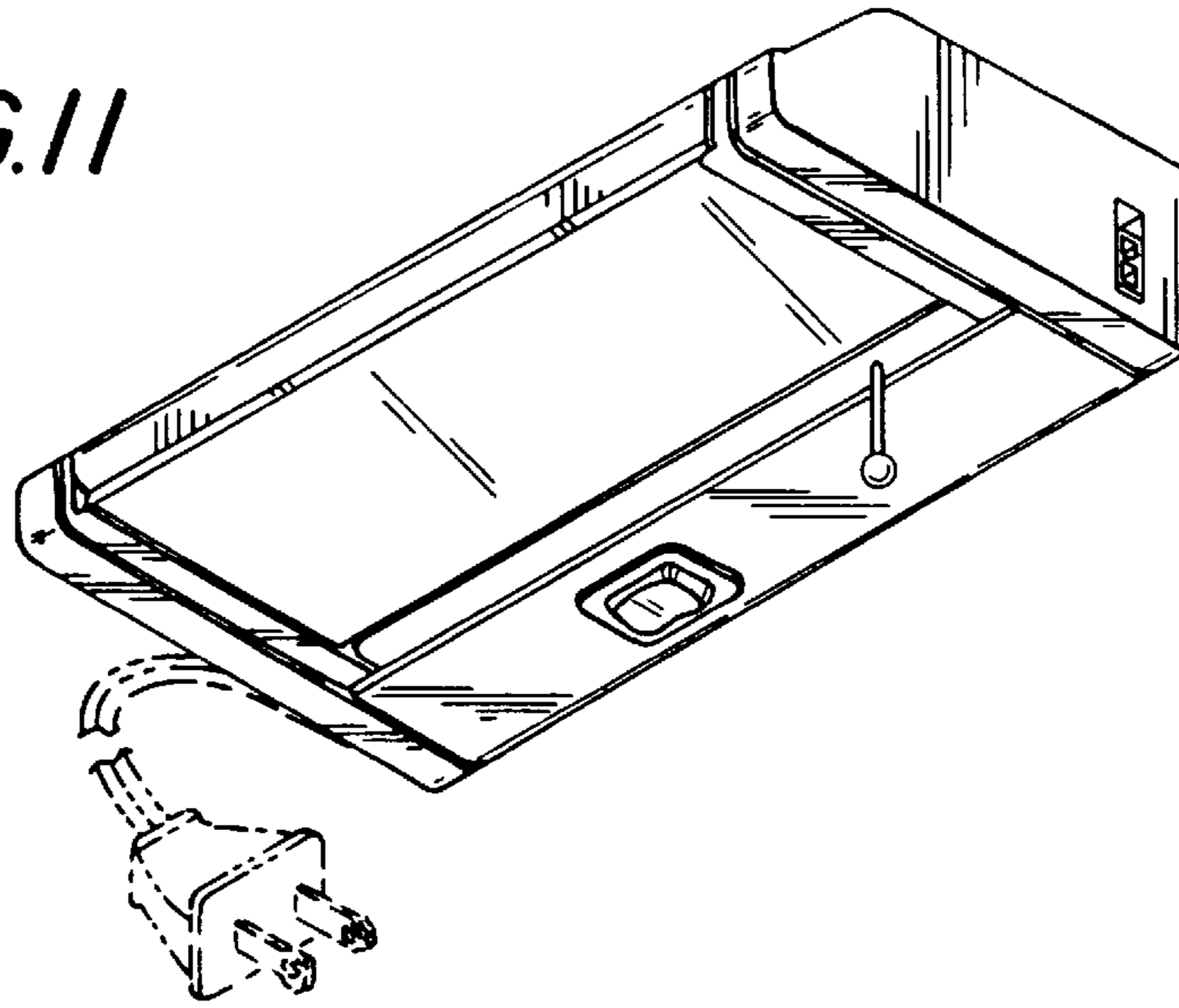


FIG. 12

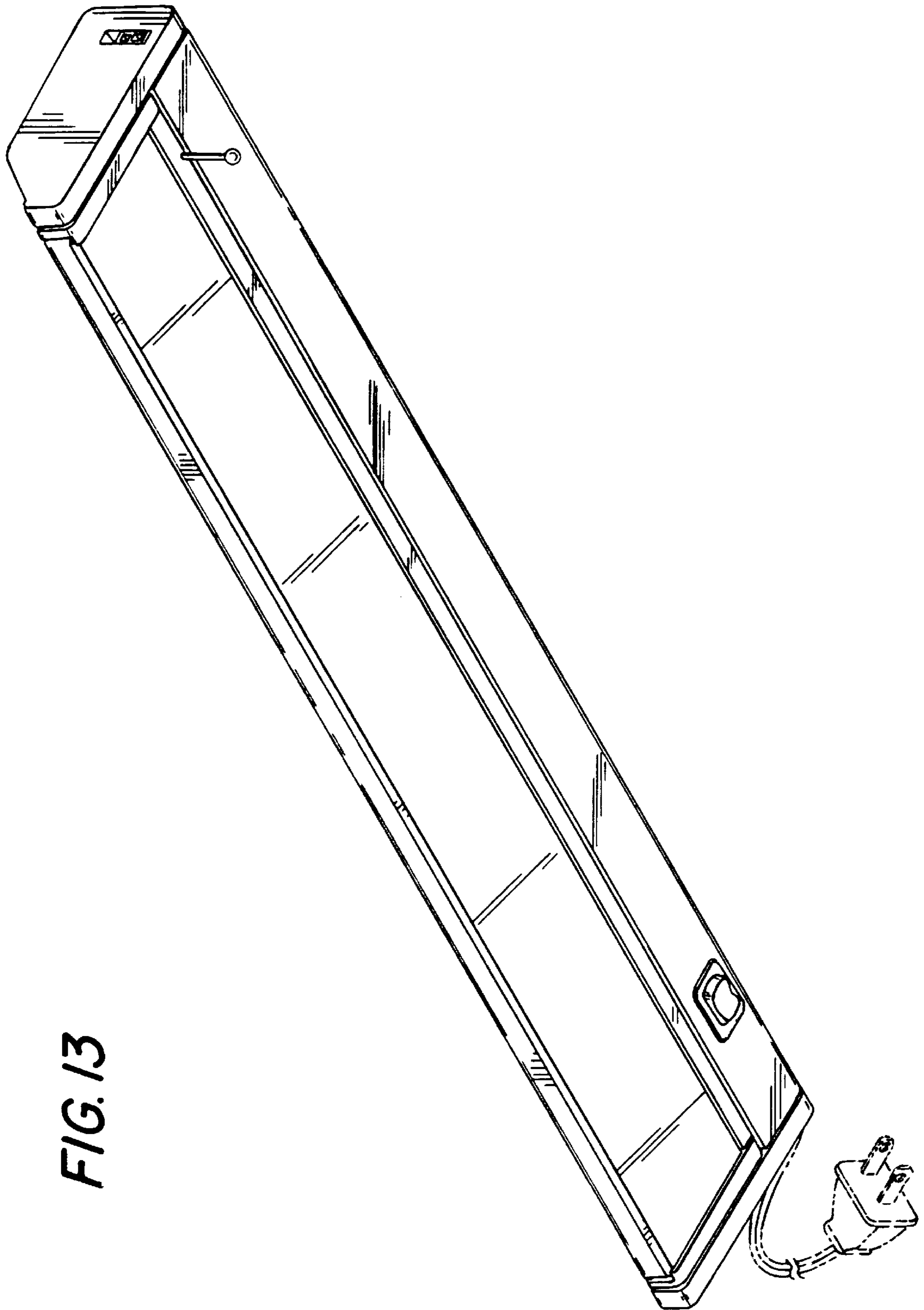


FIG. 13