



US00D412585S

United States Patent [19]

[11] Patent Number: Des. 412,585

Arcati et al.

[45] Date of Patent: ** Aug. 3, 1999

[54] **FRAME ELEMENT EXTRUSION**

[75] Inventors: **Thomas Arcati**, Huntington; **John L. Arcati**, Dix Hills, both of N.Y.

[73] Assignee: **Champion Aluminum Corporation**, Syosset, N.Y.

[**] Term: **14 Years**

[21] Appl. No.: **29/082,751**

[22] Filed: **Jan. 29, 1998**

[51] **LOC (6) Cl.** **25-01**

[52] **U.S. Cl.** **D25/124; D25/125**

[58] **Field of Search** D25/52, 60, 119-125; 49/504, 505, DIG. 2; 52/204.5, 730.3, 730.4, 730.5, 204.1, 202, 731, 732

D. 365,644 12/1995 Cole D25/124

D. 366,325 1/1996 Schrader D25/124

D. 366,326 1/1996 Schrader D25/124

D. 366,330 1/1996 Franson D25/124

D. 369,418 4/1996 Franson D25/124

D. 369,419 4/1996 Franson D25/125

D. 372,108 7/1996 Franson D25/124

D. 372,315 7/1996 Schrader D25/124

D. 372,543 8/1996 Oliver D25/124

685,647 10/1901 Sborigi .

2,264,187 11/1941 Owen 20/56.5

3,101,820 8/1963 Snyder et al. 189/65

3,214,873 11/1965 Davis 52/215

3,239,976 3/1966 Hall 52/202

3,334,463 8/1967 Muessel 52/501

3,344,575 10/1967 Grossman 52/656

3,528,692 9/1970 De Vries 287/189.36

3,866,373 2/1975 Hudock 52/309

4,048,774 9/1977 Yamamoto 52/202

4,110,942 9/1978 Slocomb, Jr. 52/100

4,304,081 12/1981 Dawson 52/309.13

4,553,367 11/1985 Redien 52/656

4,555,884 12/1985 van Eerden 52/397

4,612,743 9/1986 Salzer 52/208

4,622,778 11/1986 Simpson 49/161

4,689,933 9/1987 Biro 52/656

4,949,506 8/1990 Durham, Jr. 49/449

4,974,364 12/1990 Durham, Jr. 49/400

5,090,168 2/1992 Fast et al. 52/213

5,099,624 3/1992 Valentin 52/207

5,115,610 5/1992 Kessler 52/397

5,121,951 6/1992 Harbom et al. 292/175

[56] References Cited

U.S. PATENT DOCUMENTS

D. 216,955 3/1970 Dallaire D13/6

D. 216,956 3/1970 Dallaire D13/6

D. 226,904 5/1973 Dallaire D13/6

D. 243,674 3/1977 Dallaire D25/76

D. 243,679 3/1977 Dallaire D25/124

D. 243,683 3/1977 Dallaire D25/76

D. 243,684 3/1977 Dallaire D25/76

D. 245,707 9/1977 Dallaire D25/74

D. 250,603 12/1978 Roesch D25/52

D. 251,447 3/1979 Bancroft et al. D25/125

D. 261,305 10/1981 Schmidt D25/74

D. 261,310 10/1981 Schmidt D25/74

D. 261,311 10/1981 Schmidt D25/74

D. 267,746 1/1983 Schmidt D25/74

D. 285,611 9/1986 Slocomb, Jr. D25/73

D. 301,067 5/1989 Dallaire et al. D25/124

D. 327,745 7/1992 Valentin D25/124

D. 330,264 10/1992 Valentin D25/124

D. 339,874 9/1993 Cole D25/124

D. 341,437 11/1993 Cole D25/124

D. 343,462 1/1994 Cole D25/124

D. 345,019 3/1994 Cole D25/124

D. 351,663 10/1994 Cole D25/124

D. 363,357 10/1995 Franson D25/124

Primary Examiner—Doris Clark
Attorney, Agent, or Firm—Dilworth & Barrese

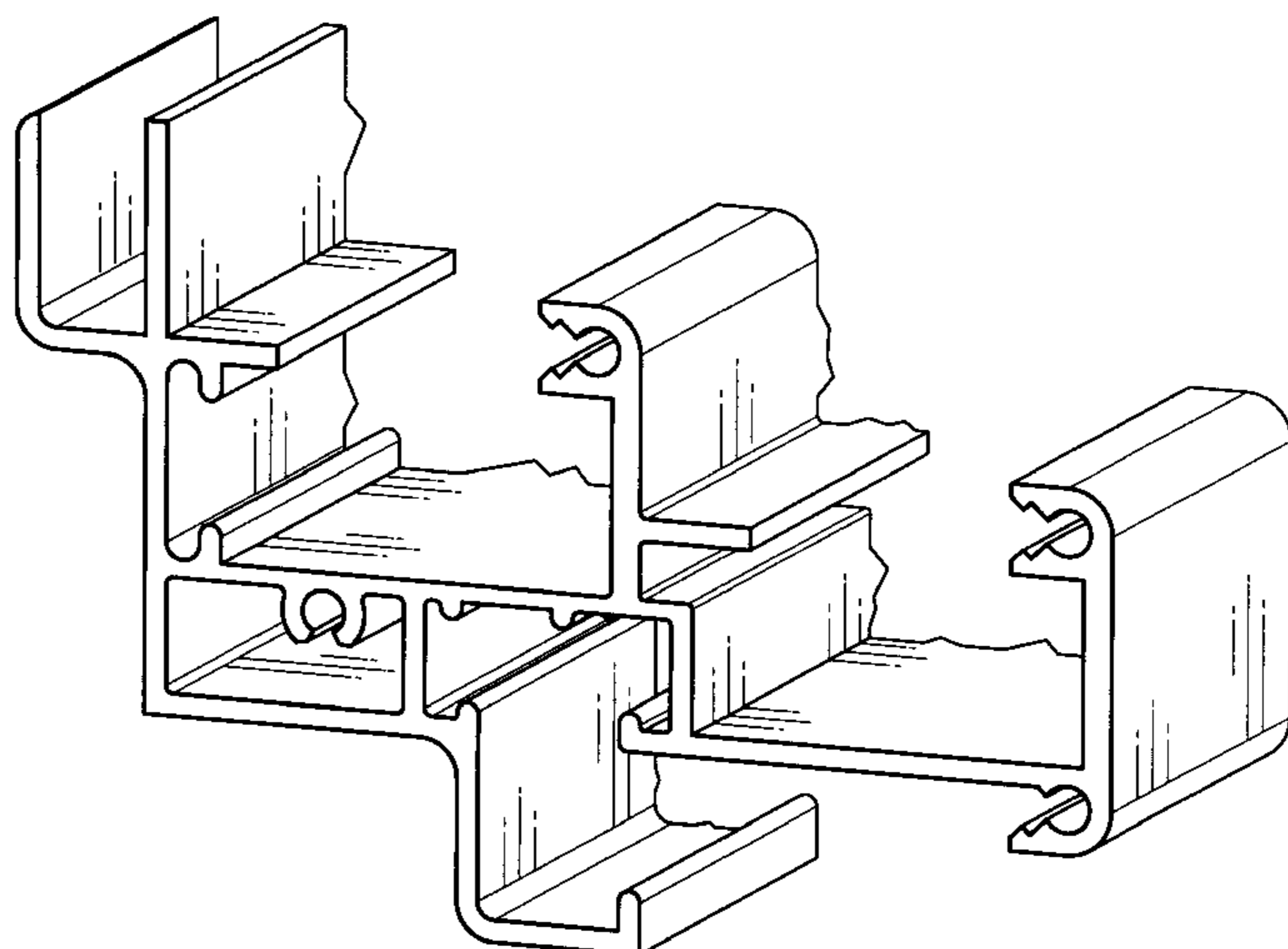
[57] CLAIM

The ornamental design for a frame element extrusion, as shown and described.

DESCRIPTION

FIG. 1 is a fragmentary top right perspective view showing a frame element extrusion, the frame element extrusion being of indeterminate length; and, FIG. 2 is a fragmentary bottom left perspective view thereof.

1 Claim, 1 Drawing Sheet



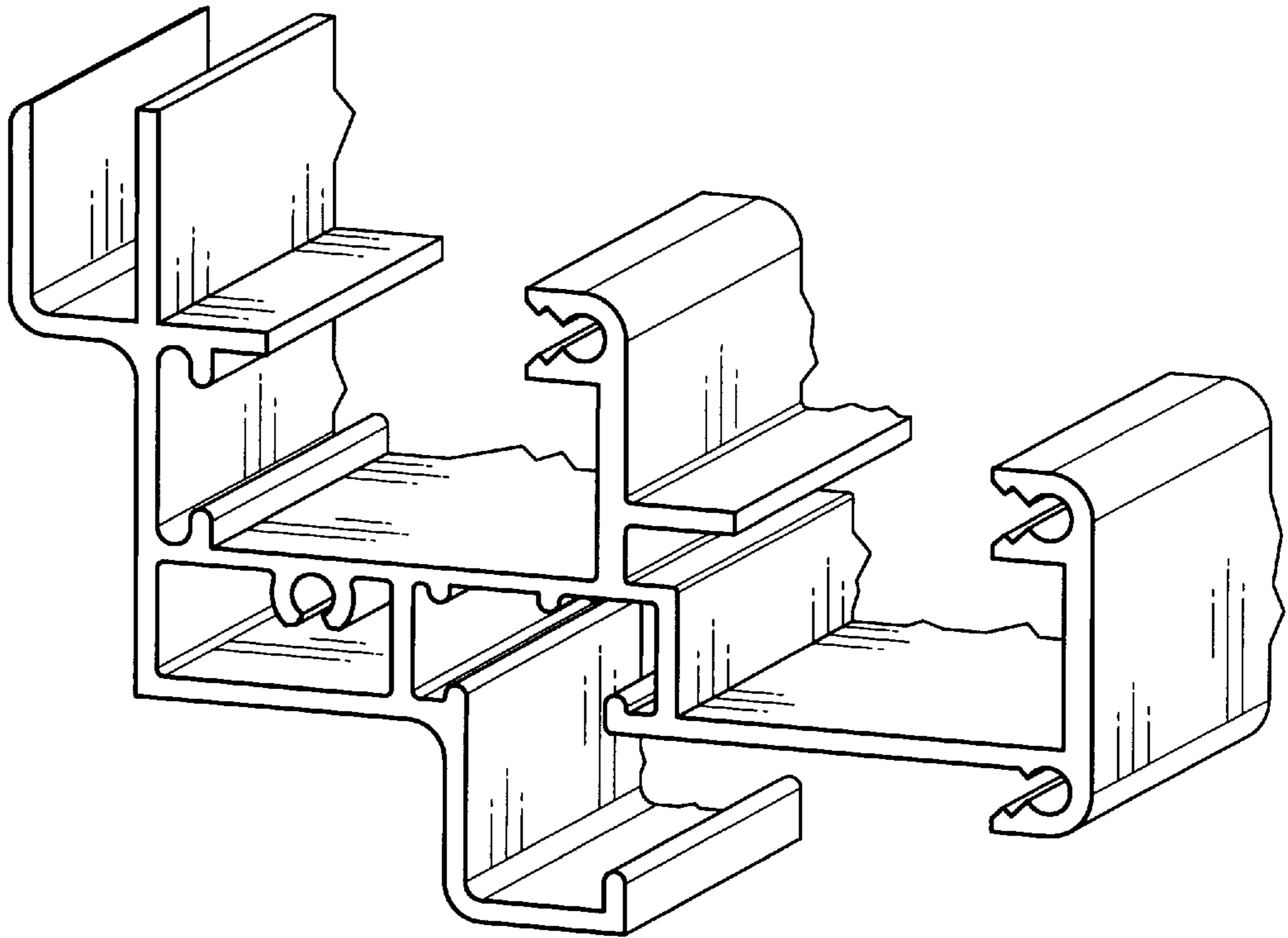


FIG. 1

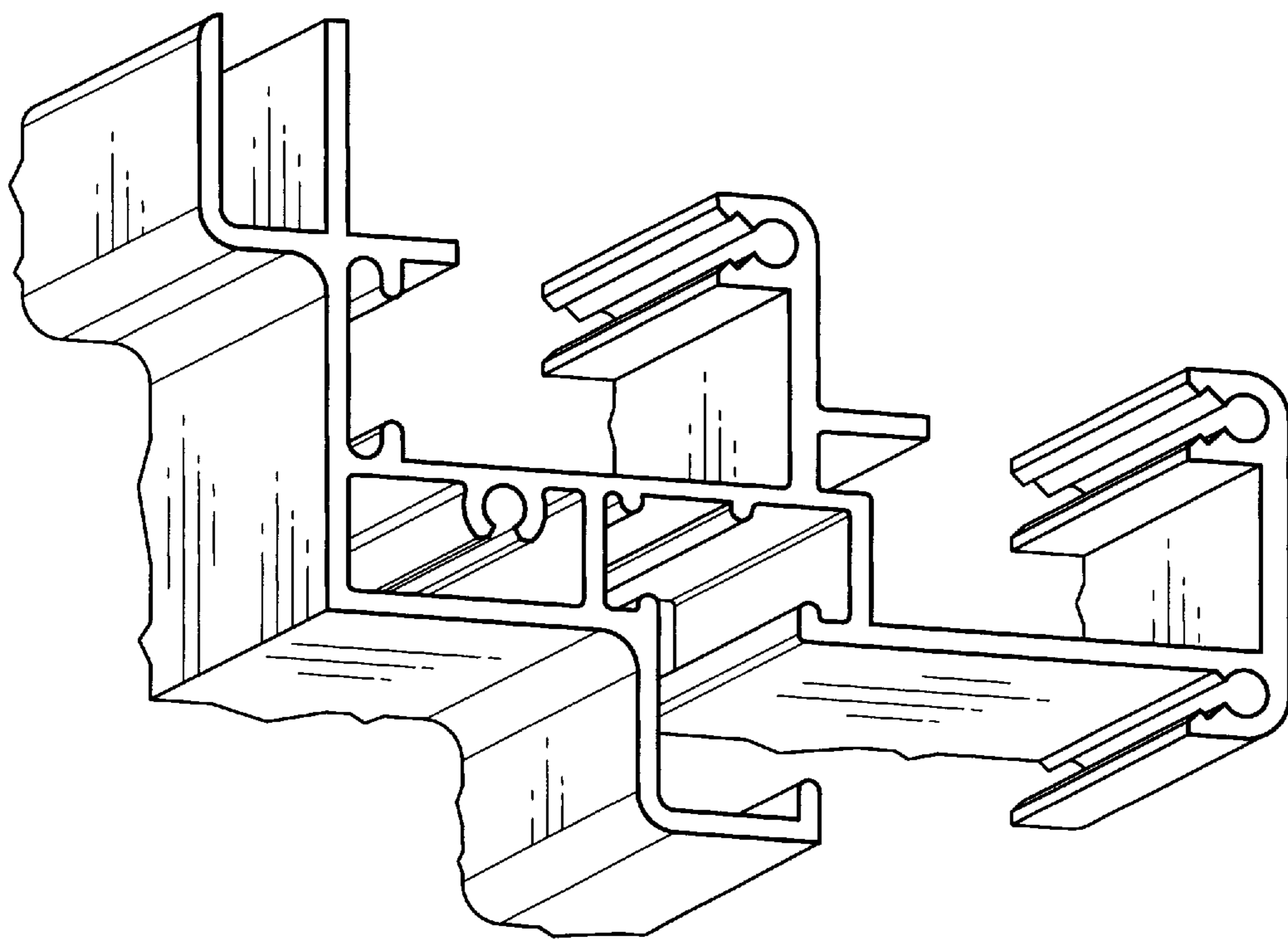


FIG. 2