



US00D412581S

United States Patent [19]
Brennan

[11] **Patent Number: Des. 412,581**

[45] **Date of Patent: ** Aug. 3, 1999**

[54] **ANKLE BRACE**

5,330,419 7/1994 Toronto et al. 602/27
5,621,985 4/1997 Frost 602/27 X

[75] Inventor: **Frank Brennan**, Reading, Pa.

Primary Examiner—Stella Reid
Attorney, Agent, or Firm—Horst M. Kasper

[73] Assignee: **X Wraps Designs L.L.C.**, Reading, Pa.

[**] Term: **14 Years**

[57] **CLAIM**

[21] Appl. No.: **29/094,474**

The ornamental design for an ankle brace, as shown and described.

[22] Filed: **Oct. 2, 1998**

DESCRIPTION

[51] **LOC (6) Cl.** **24-04**

FIG. 1 is a perspective view of an ankle brace, showing my new design;

[52] **U.S. Cl.** **D24/192**

FIG. 2 is a side elevational view thereof;

[58] **Field of Search** D24/192, 190;
602/27, 23, 5, 6, 65

FIG. 3 is a side elevational view thereof, opposite that shown in FIG. 2;

[56] **References Cited**

FIG. 4 is a front view thereof;

U.S. PATENT DOCUMENTS

FIG. 5 is a rear view thereof;

D. 397,797 9/1998 Chiang D24/192

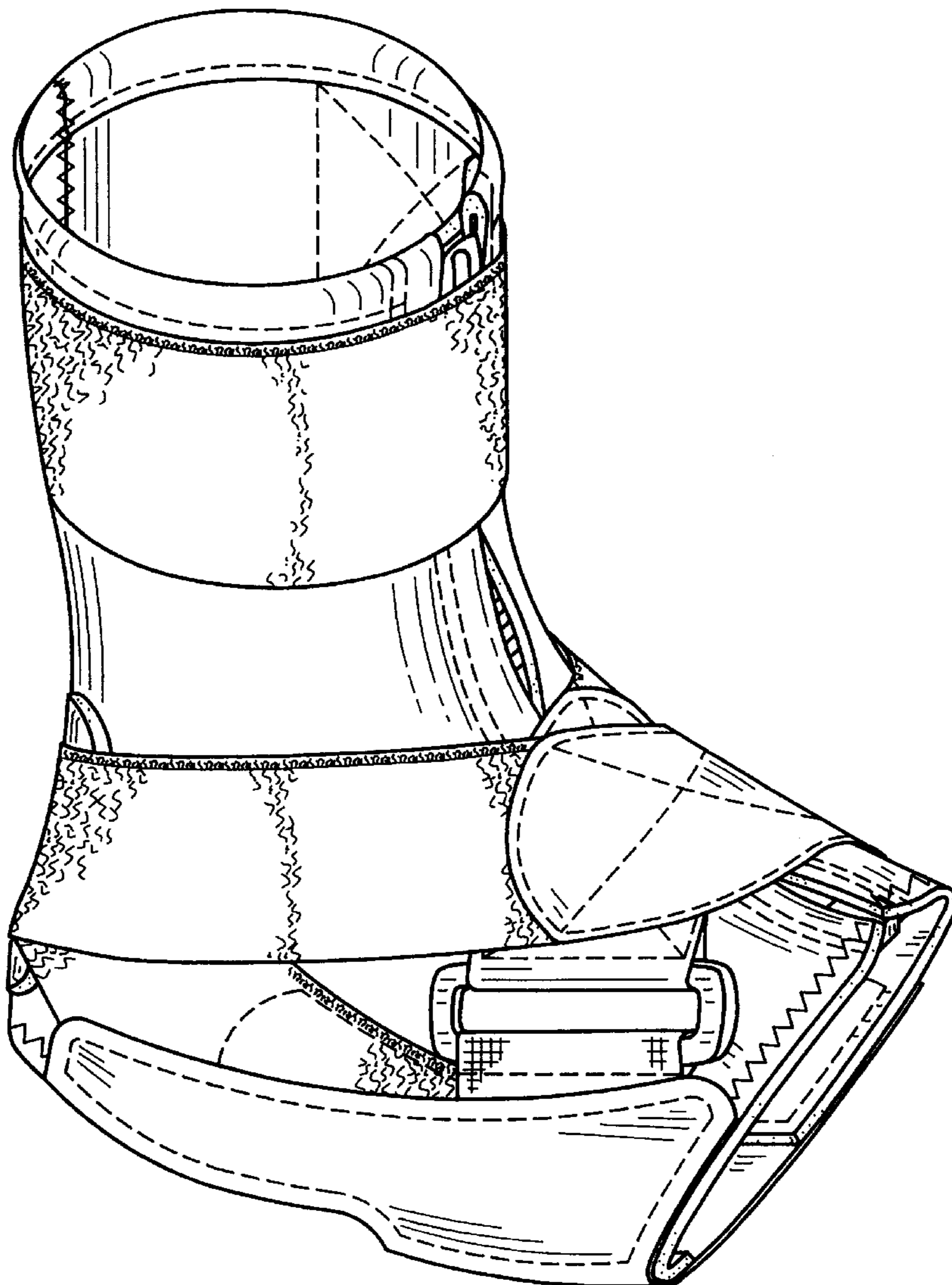
FIG. 6 is a bottom view thereof; and,

3,506,000 4/1970 Baker 602/65

FIG. 7 is a top view thereof.

4,729,370 3/1988 Kallassy 602/65

1 Claim, 7 Drawing Sheets



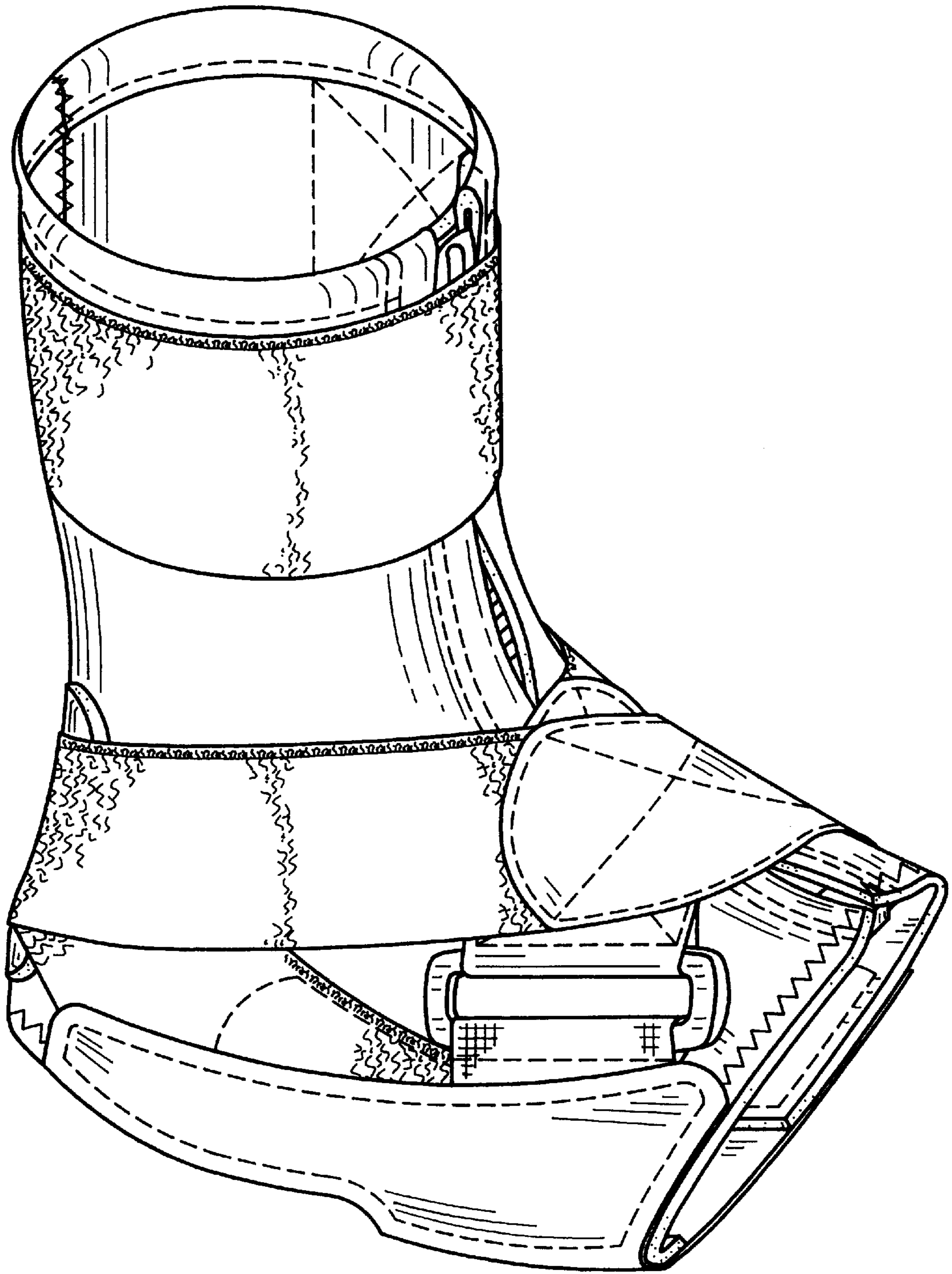


Fig. 1

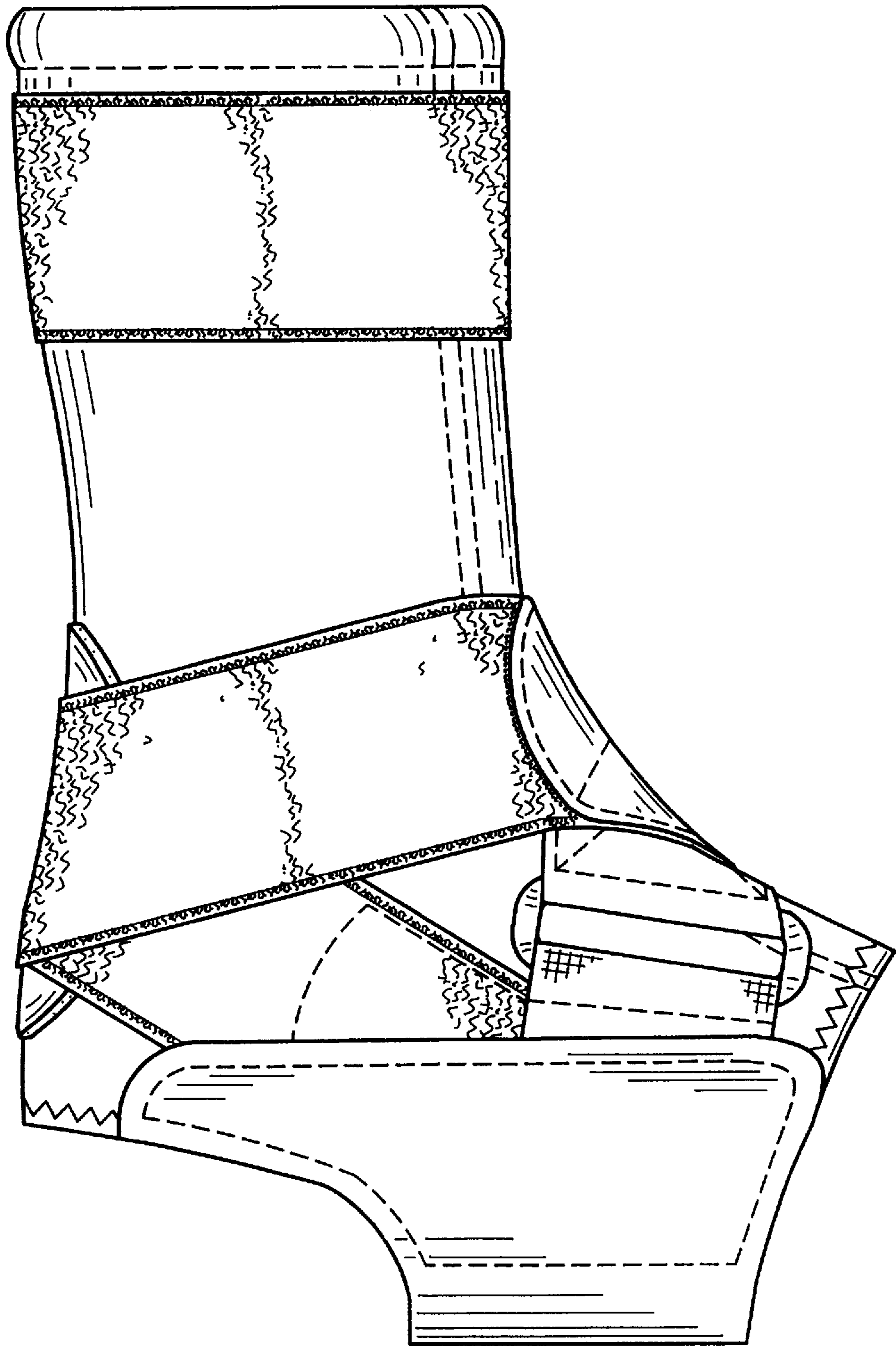


Fig.2

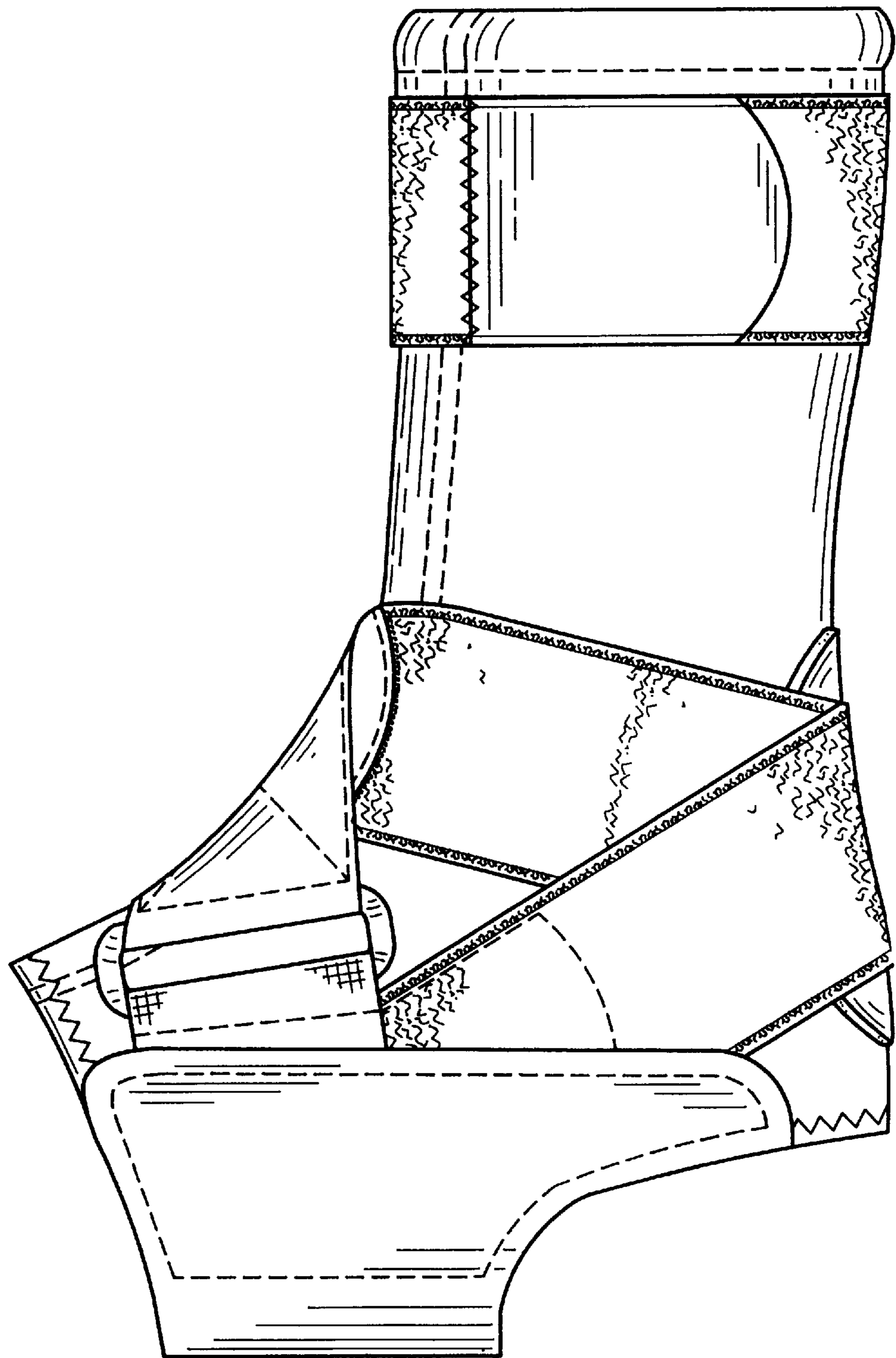


Fig.3

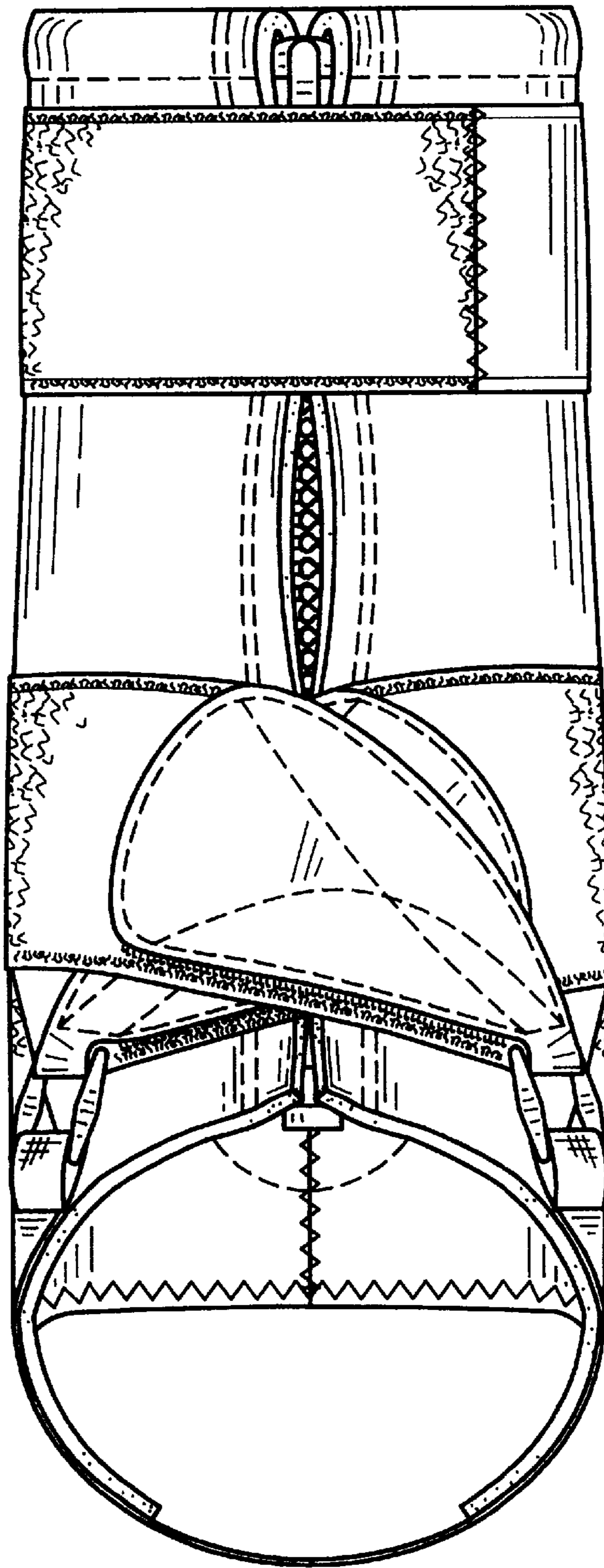


Fig.4

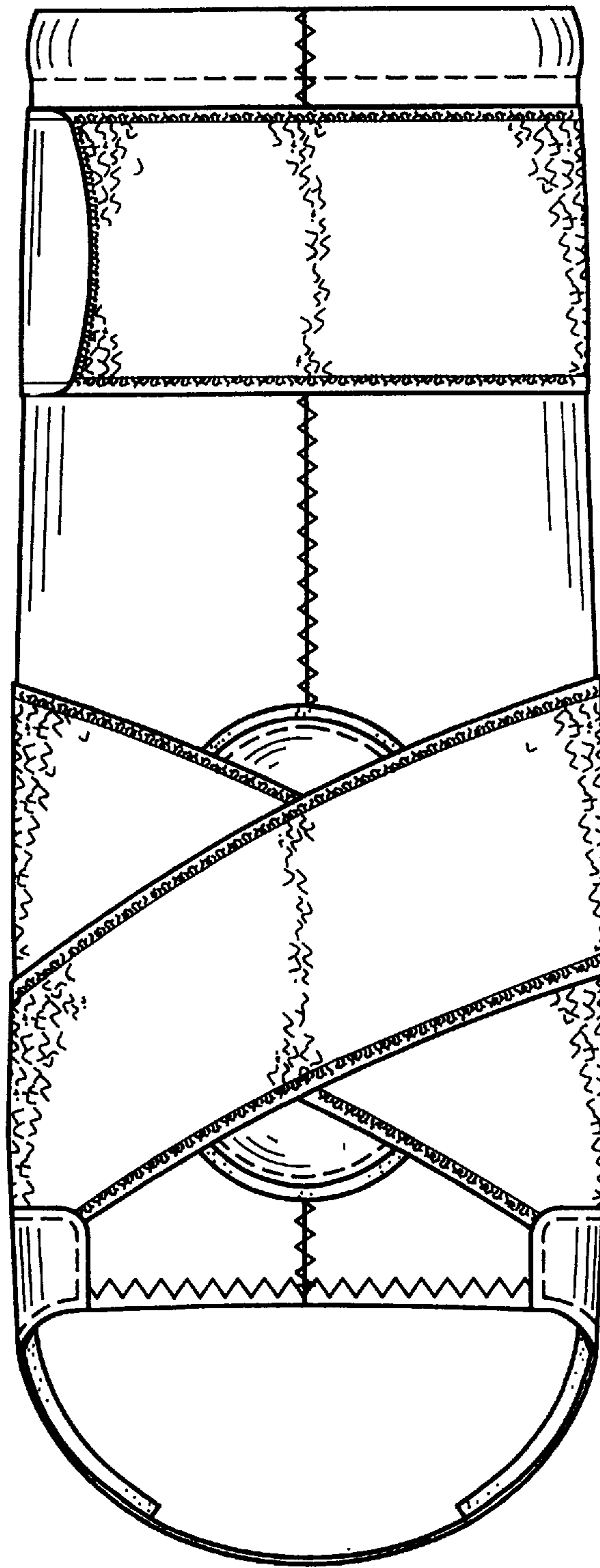


Fig.5

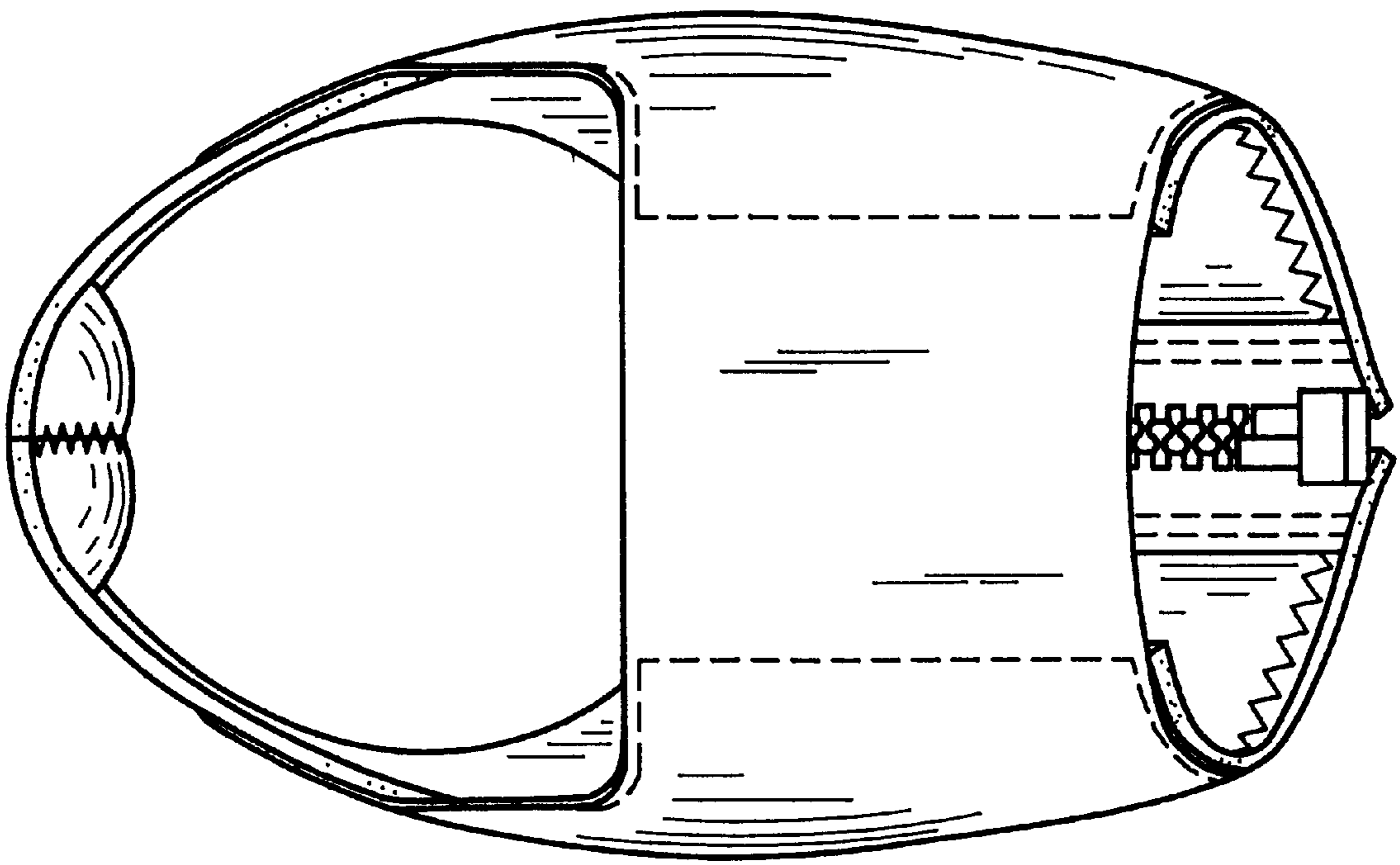


Fig.6

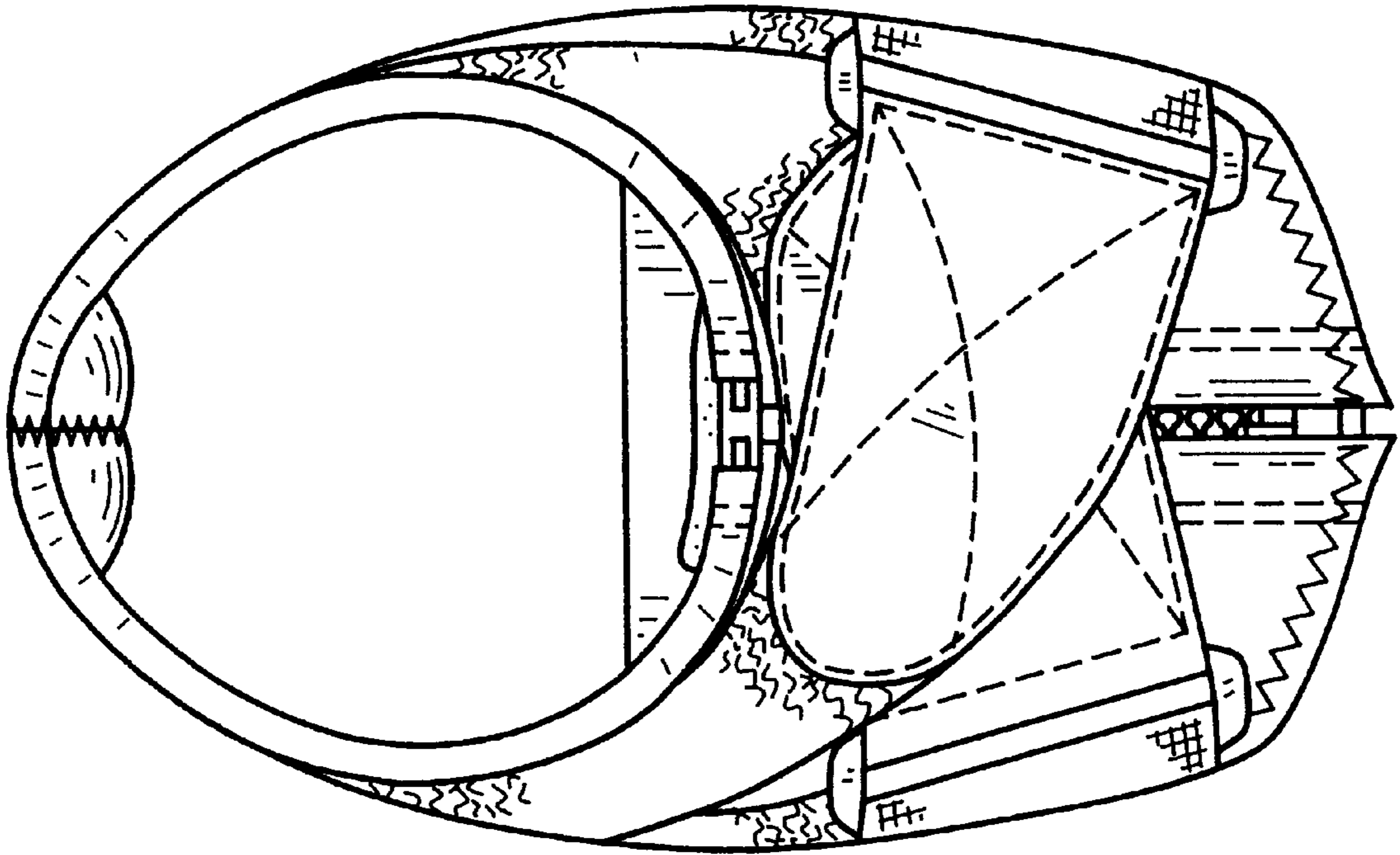


Fig.7