



US00D412578S

United States Patent [19]

[11] Patent Number: Des. 412,578

Andersson et al.

[45] Date of Patent: ** Aug. 3, 1999

[54] **HOLDER FOR CONCENTRATE VESSEL**

[57] **CLAIM**

[75] Inventors: **Håkan Andersson**, Malmö; **Mats Nilsson**, Veberöd, both of Sweden

The ornamental design for a holder for concentrate vessel, as shown and described.

[73] Assignee: **Gambro AB**, Sweden

DESCRIPTION

[**] Term: **14 Years**

[21] Appl. No.: **29/079,687**

FIG. 1 is a right front, perspective view of a holder for concentrate vessel, showing our new design;

[22] Filed: **Nov. 21, 1997**

FIG. 2 is a left, front, perspective view thereof;

[30] **Foreign Application Priority Data**

May 23, 1997 [SE] Sweden 97-1195

FIG. 3 is a left, bottom, front, perspective view thereof;

[51] **LOC (6) Cl.** **24-01**

FIG. 4 is a right, front, perspective view thereof;

[52] **U.S. Cl.** **D24/169**

FIG. 5 is a left, rear, perspective view thereof.

[58] **Field of Search** D24/169; 604/29;
210/321.71, 90, 96.2, 86

FIG. 6 is a right, front, perspective view thereof, in an alternate position;

[56] **References Cited**

U.S. PATENT DOCUMENTS

- 4,381,003 4/1983 Buoncrisiani .
- 4,585,436 4/1986 Davis et al. 604/29
- 5,722,947 3/1998 Jeppsson et al. 604/29

FIG. 7 is a right, front, perspective view thereof, in a further alternate position;

FIG. 8 is a left side, elevational view of FIG. 6;

FIG. 9 is a left side, elevational view of FIG. 7;

FIG. 10 is a left side, elevational view of FIG. 1;

FIG. 11 is a front, elevational view of FIG. 1;

FIG. 12 is a rear, elevational view of FIG. 1;

FIG. 13 is a bottom, plan view of FIG. 1;

FIG. 14 is a top plan view of FIG. 1; and,

FIG. 15 is a right side, elevational view of FIG. 1.

Primary Examiner—Stella Reid

Attorney, Agent, or Firm—Lerner, David, Littenberg, Krumholz & Mentlik, LLP

1 Claim, 15 Drawing Sheets

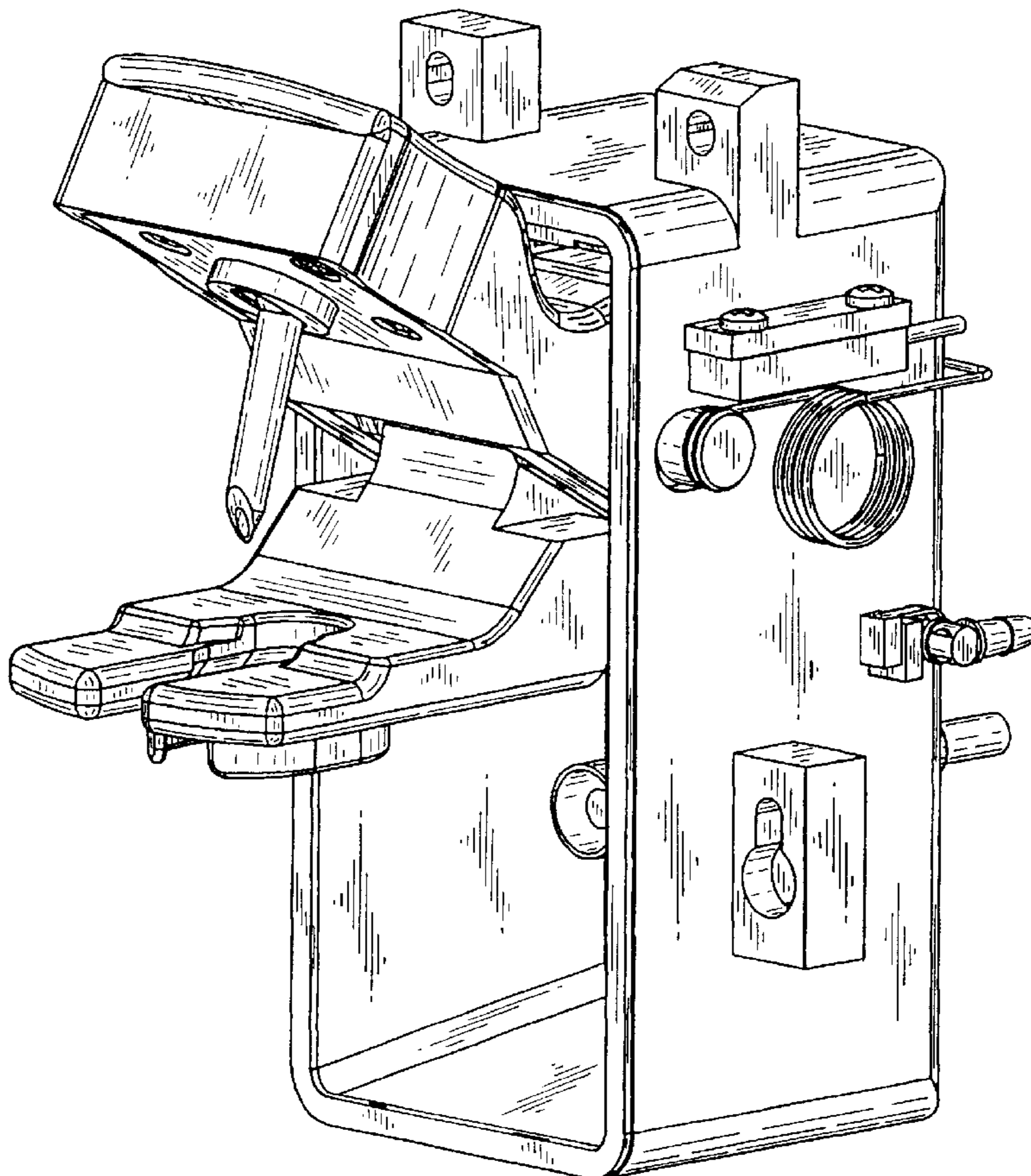


FIG. 1

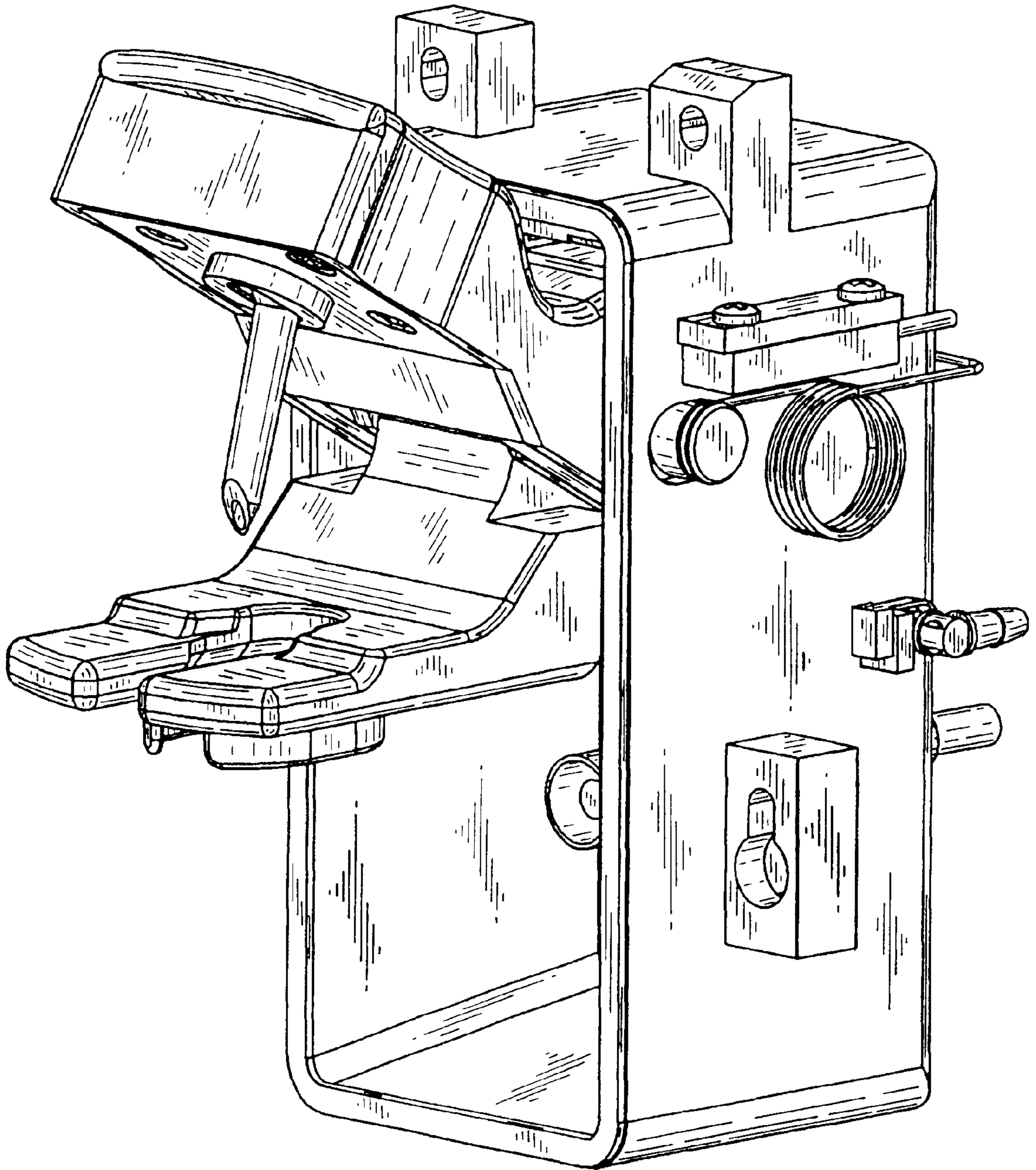


FIG. 2

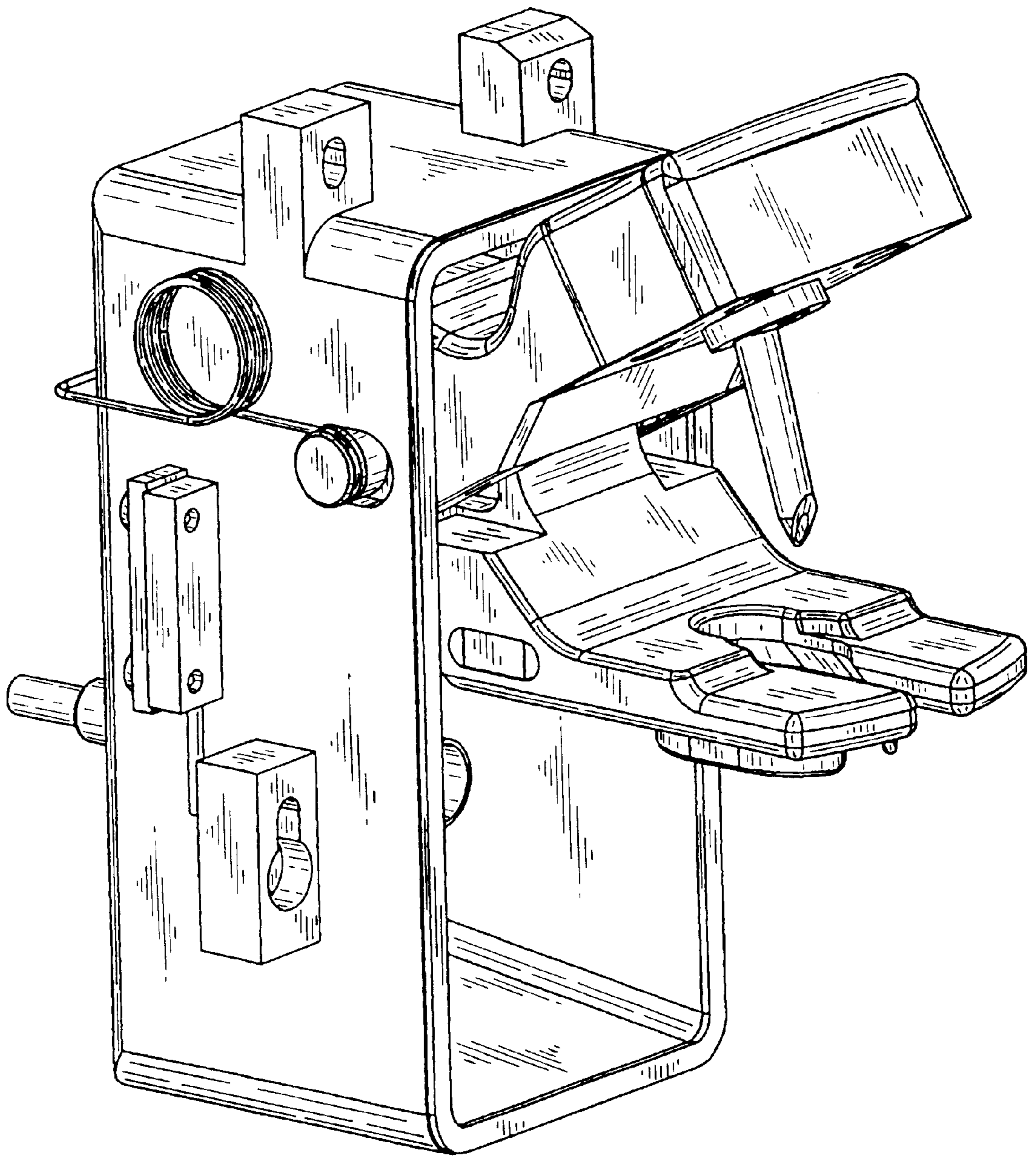


FIG. 3

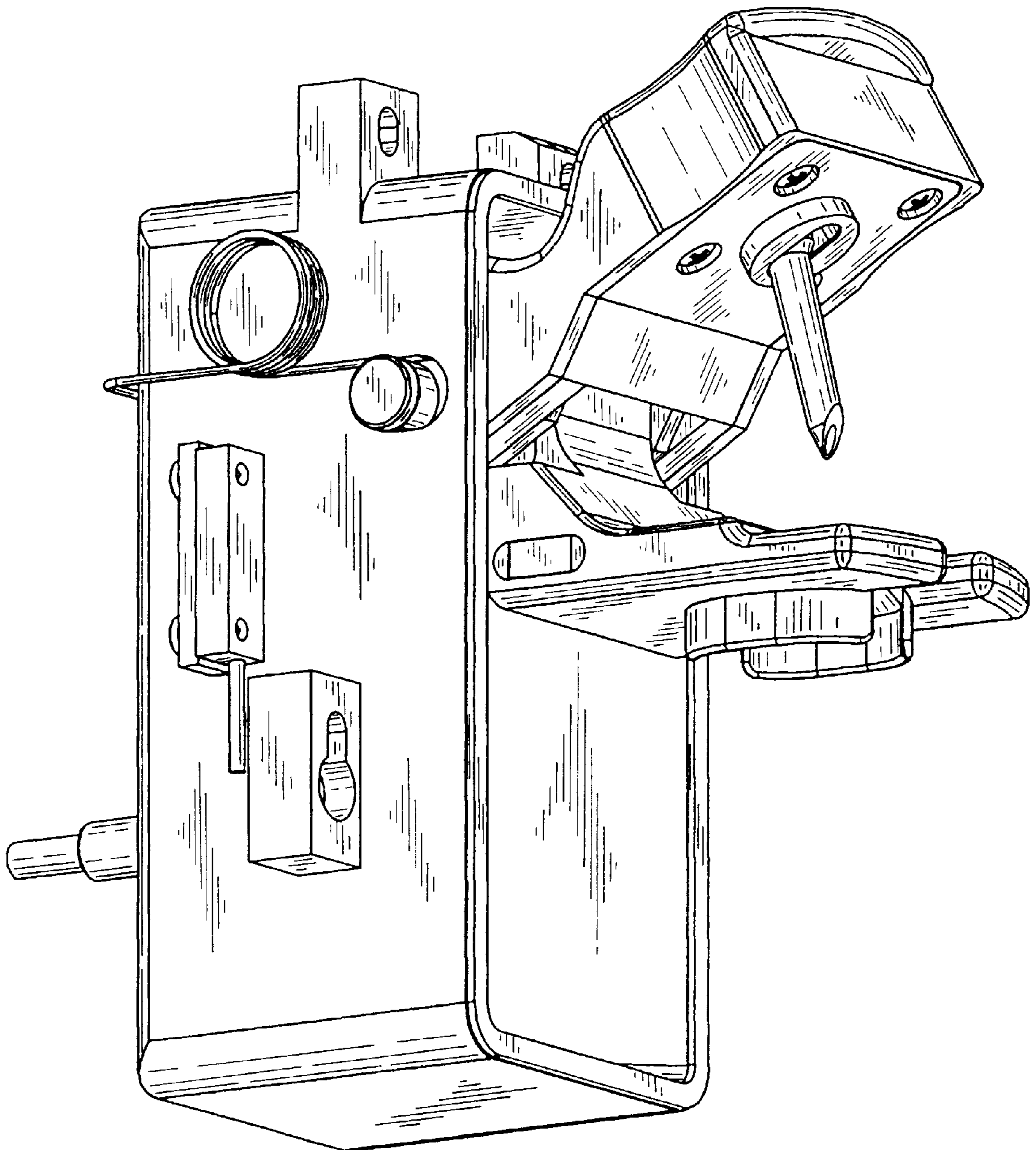


FIG. 4

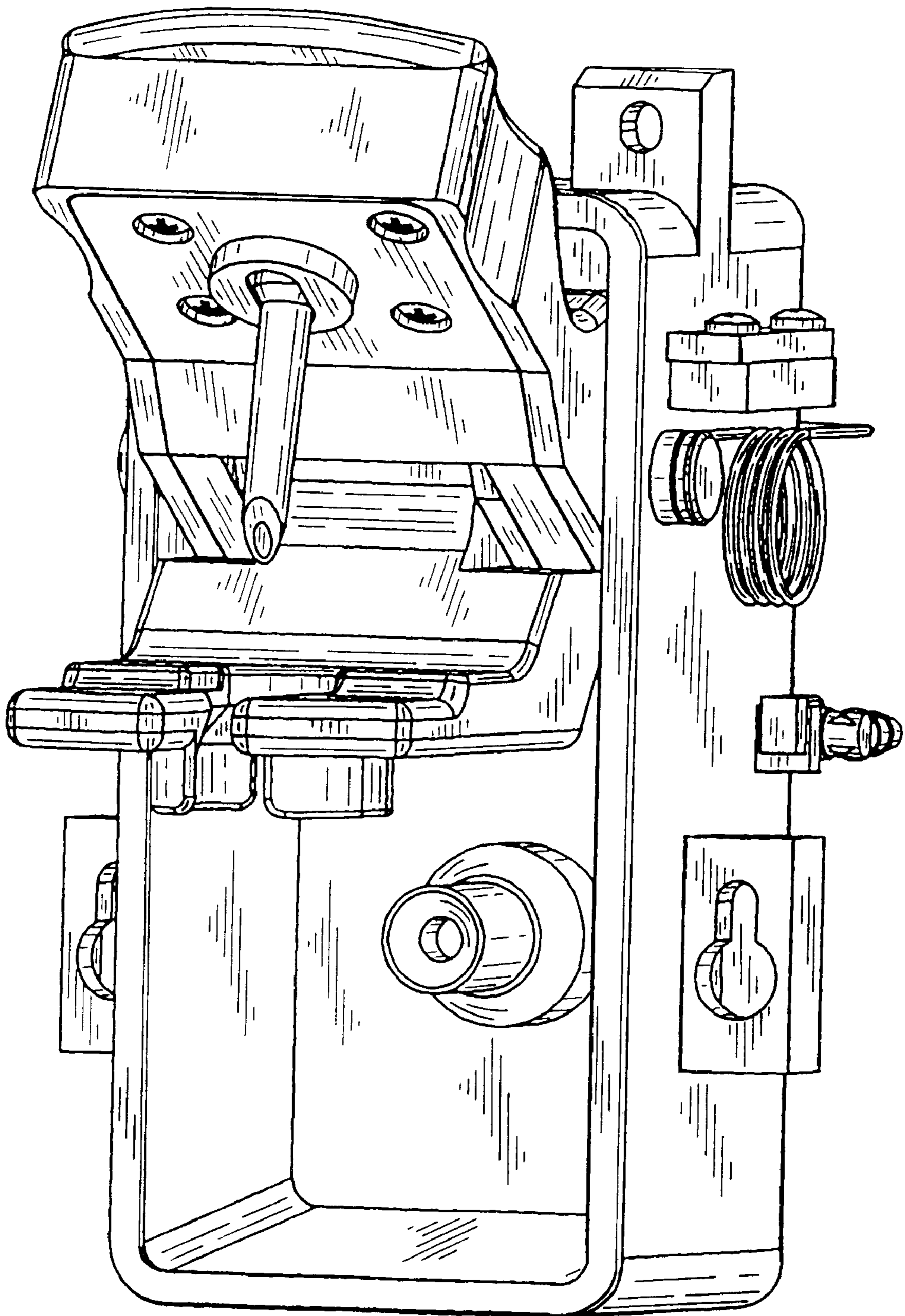


FIG. 5

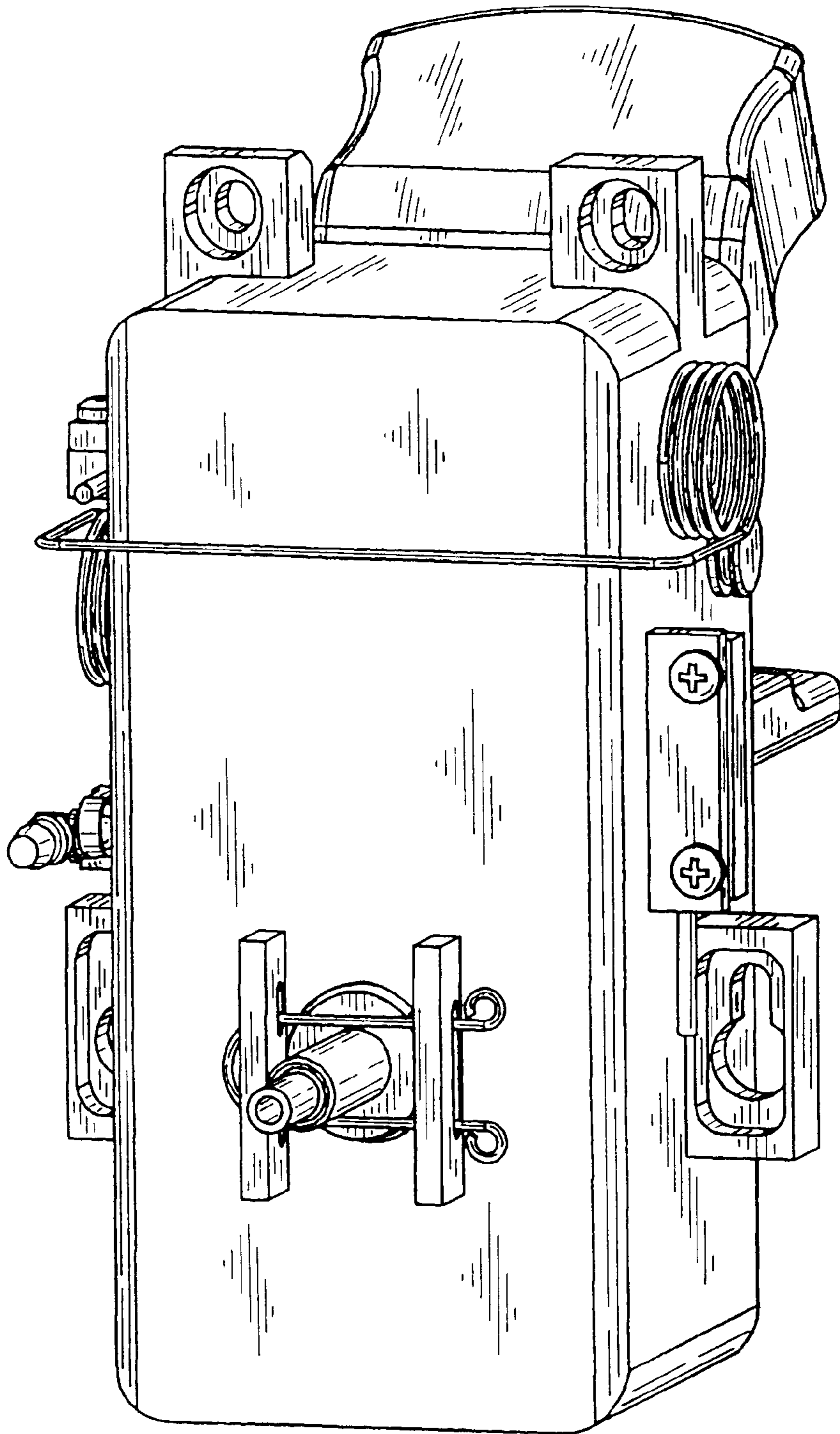


FIG. 6

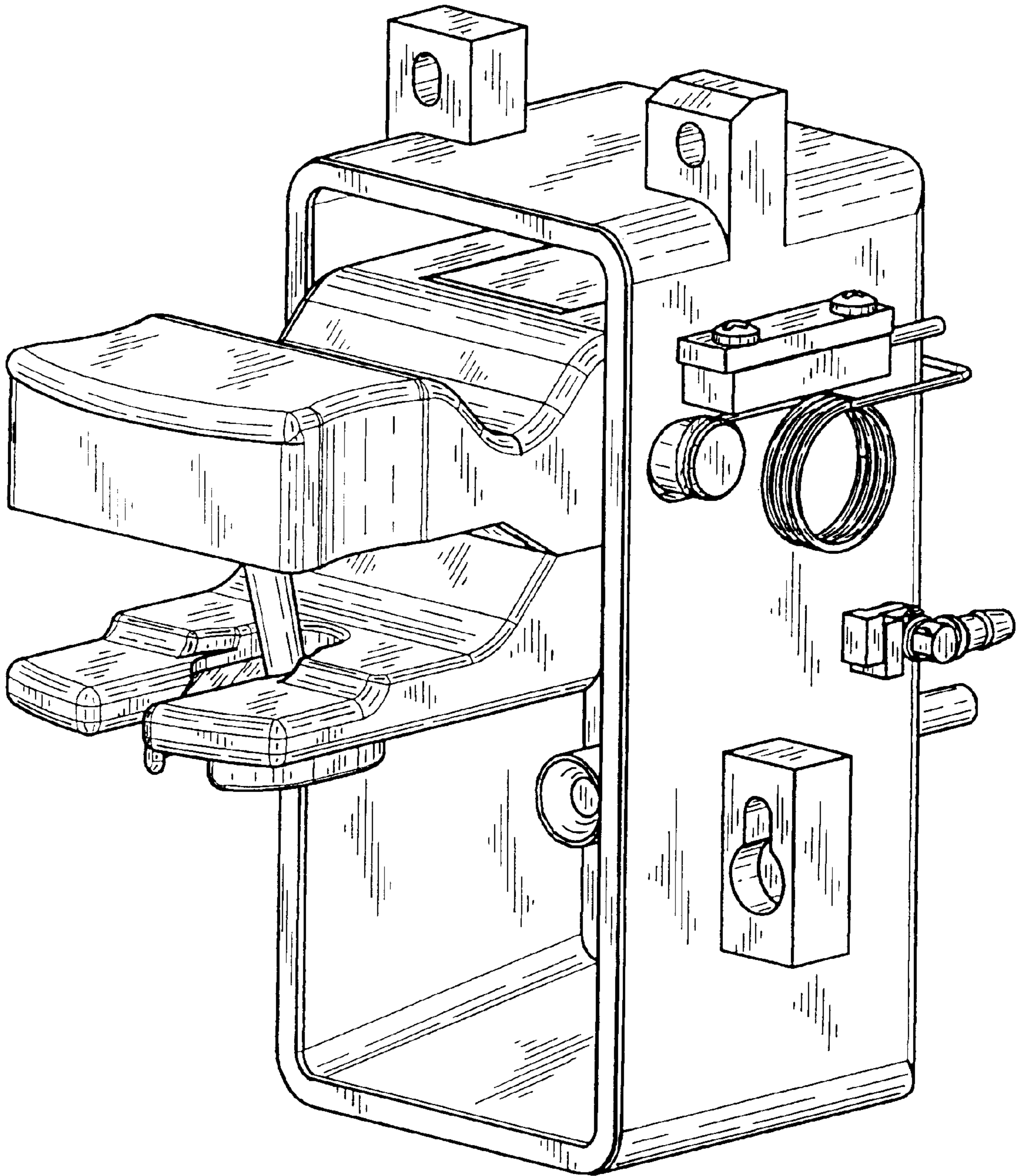


FIG. 7

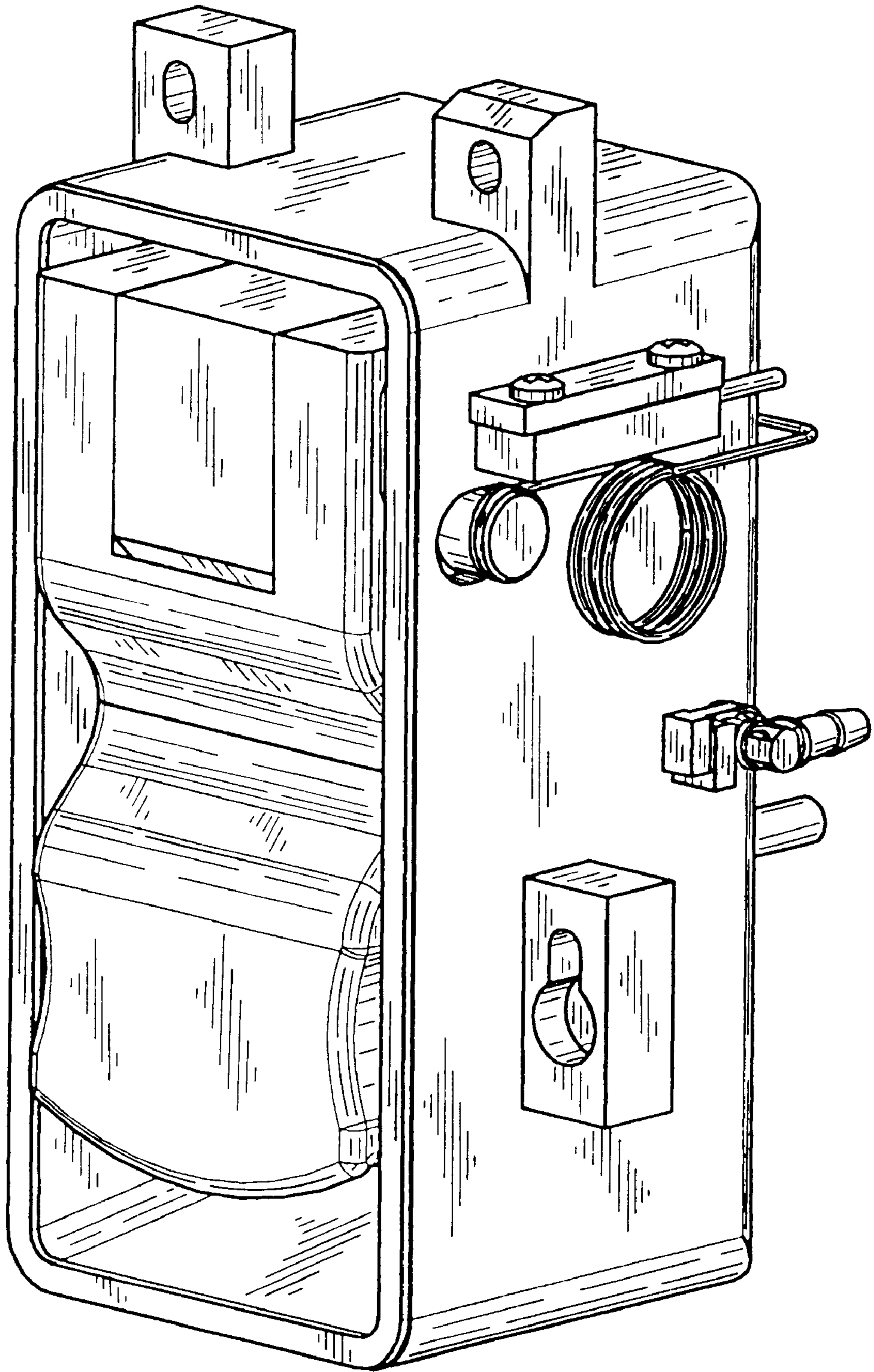


FIG. 8

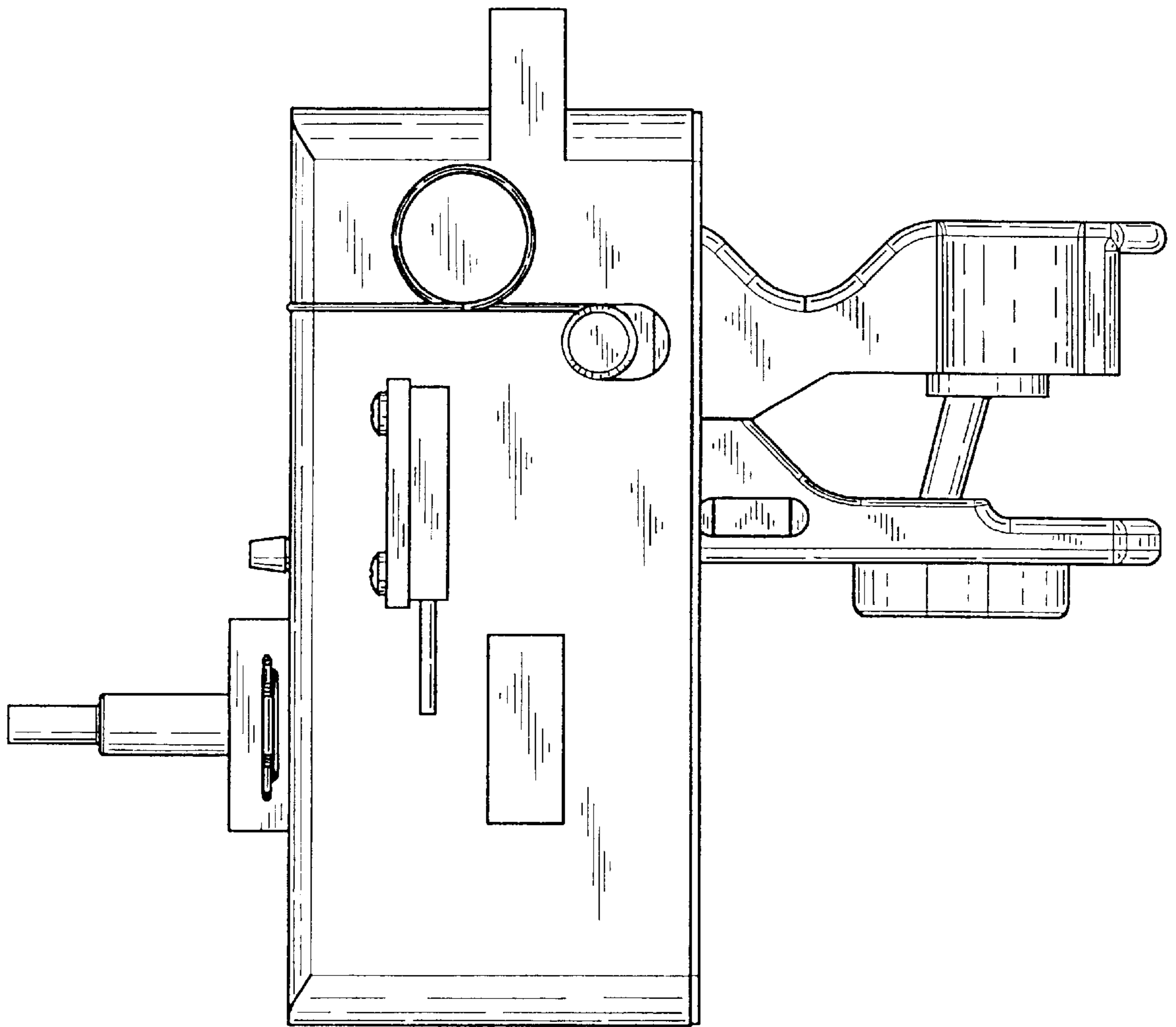


FIG. 9

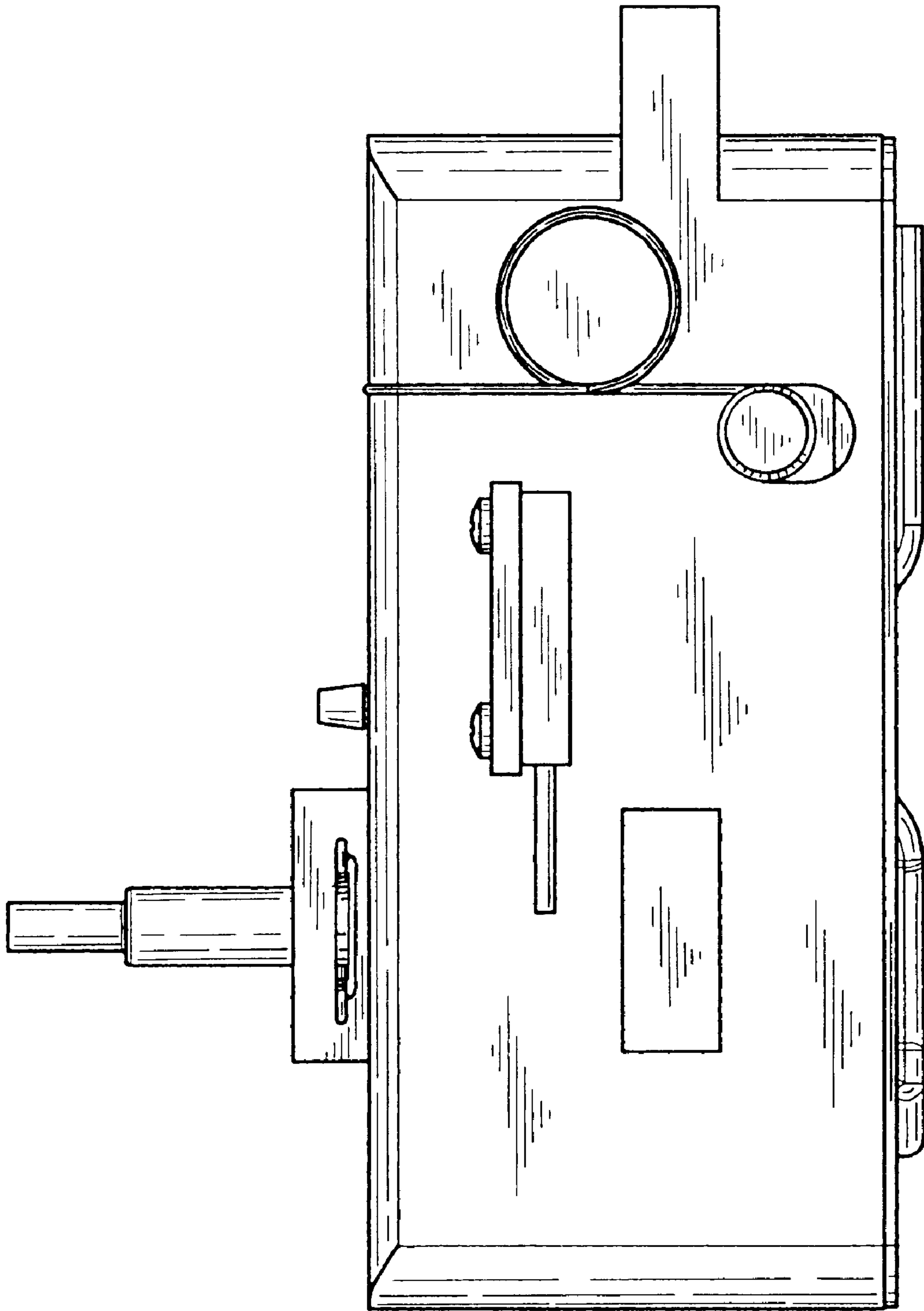


FIG. 10

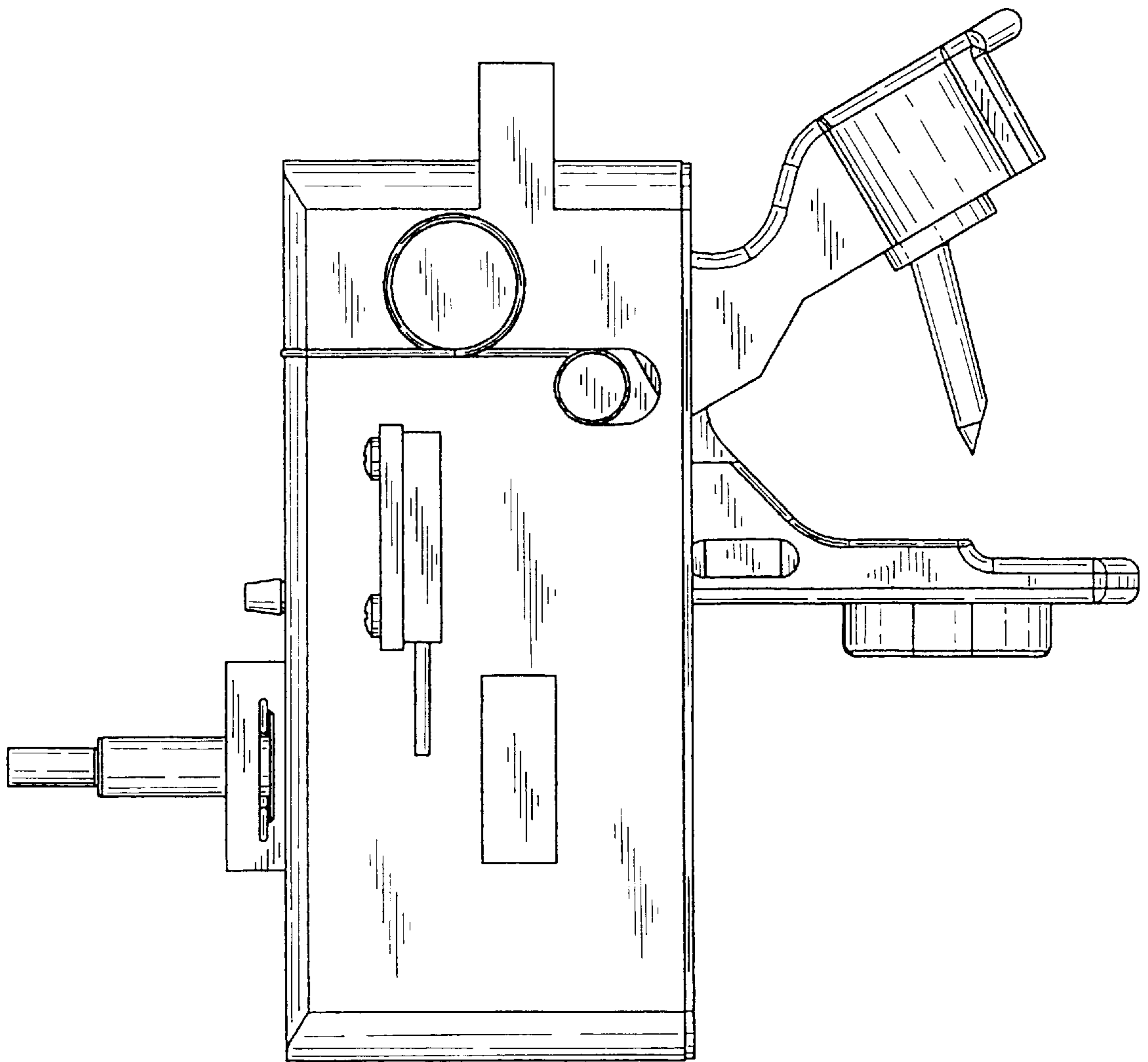


FIG. 11

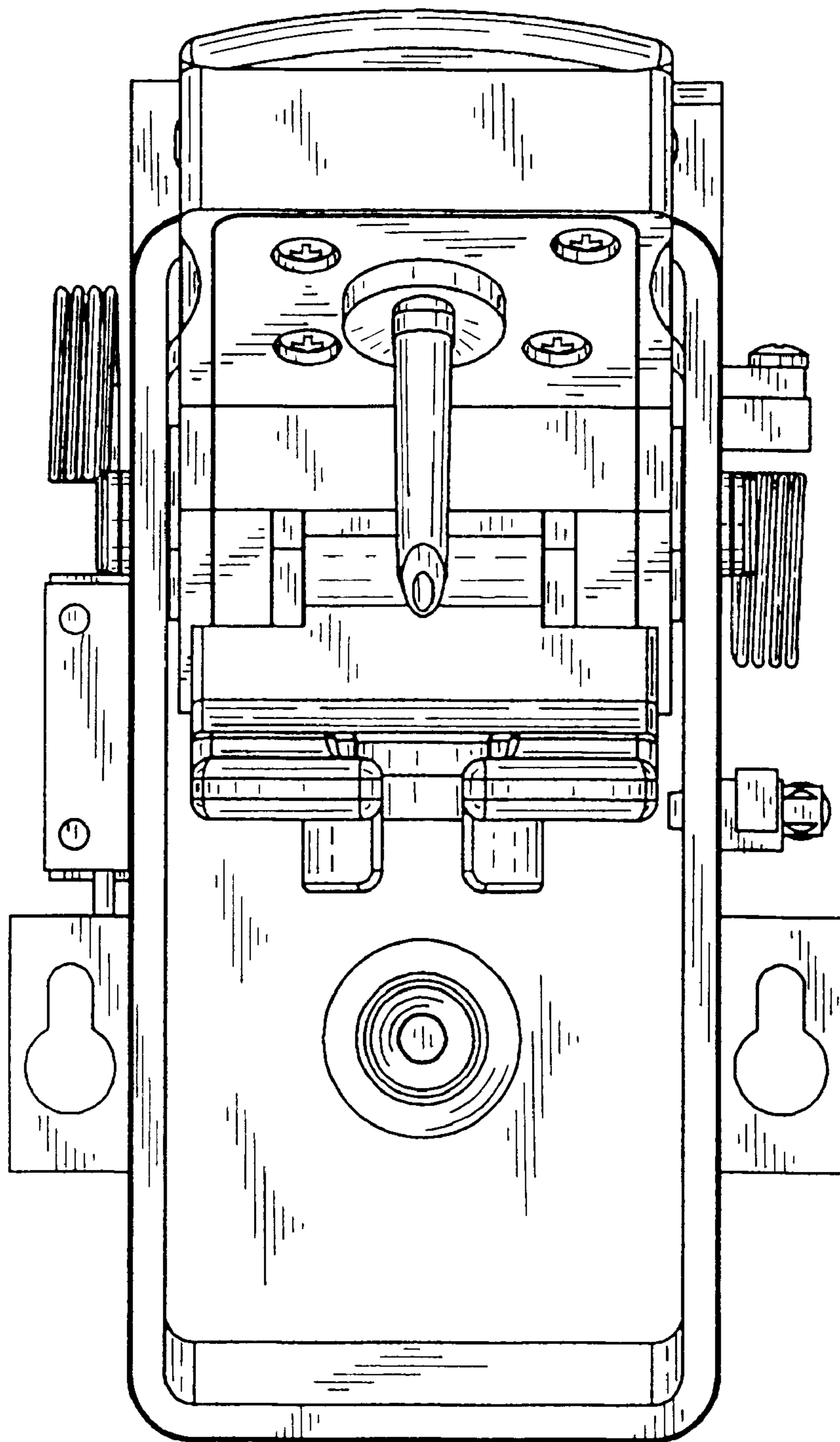


FIG. 12

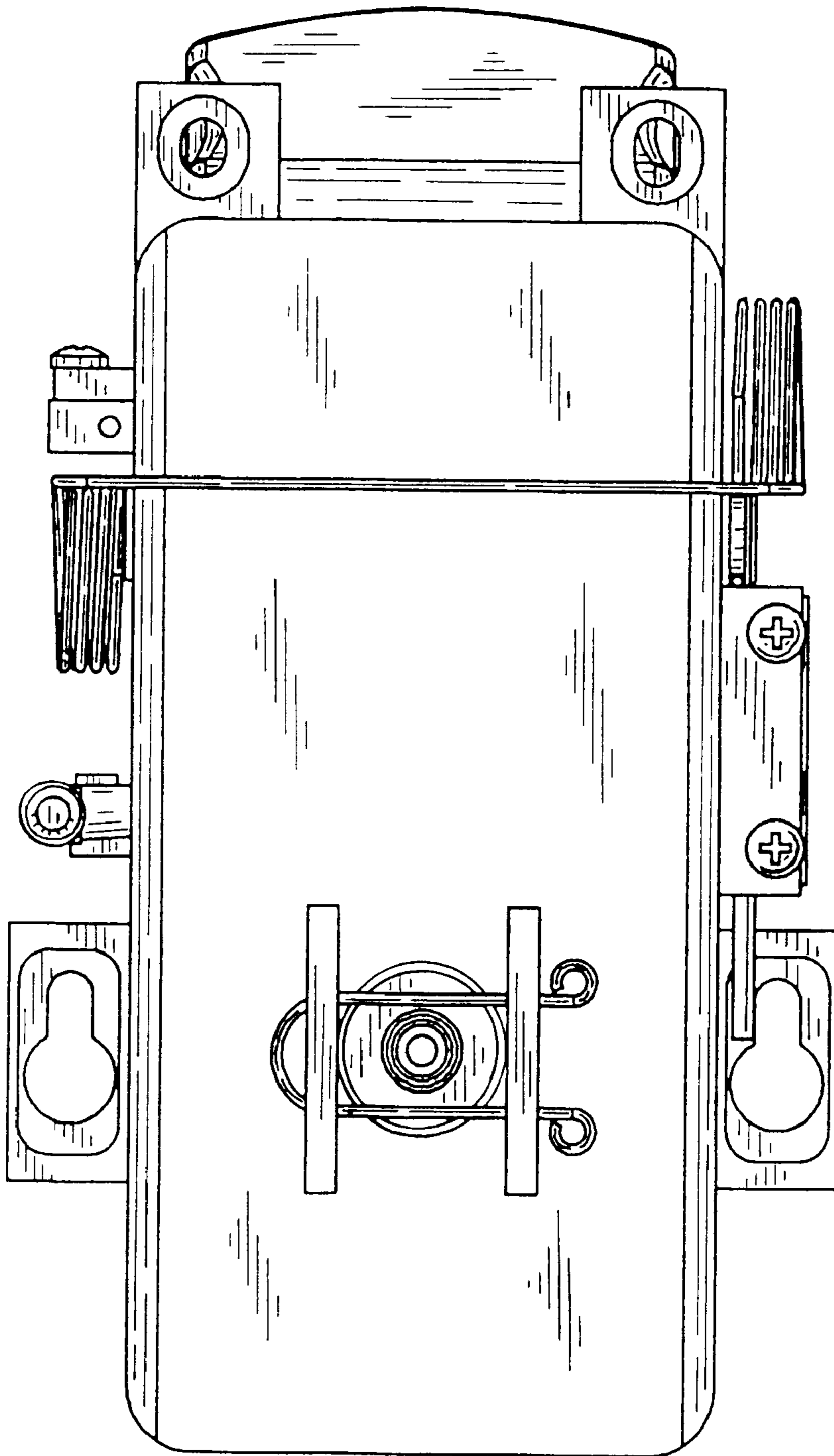


FIG. 13

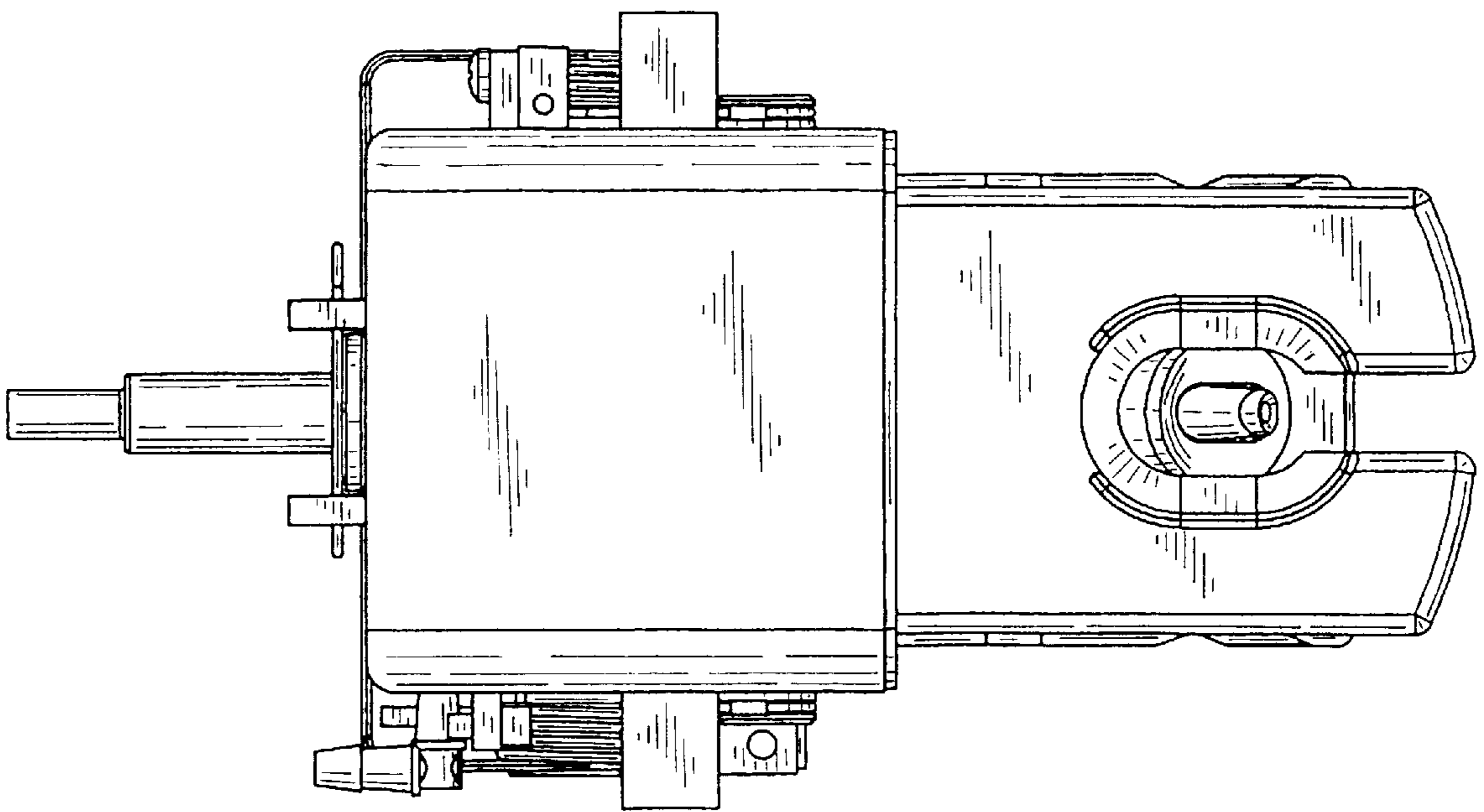


FIG. 14

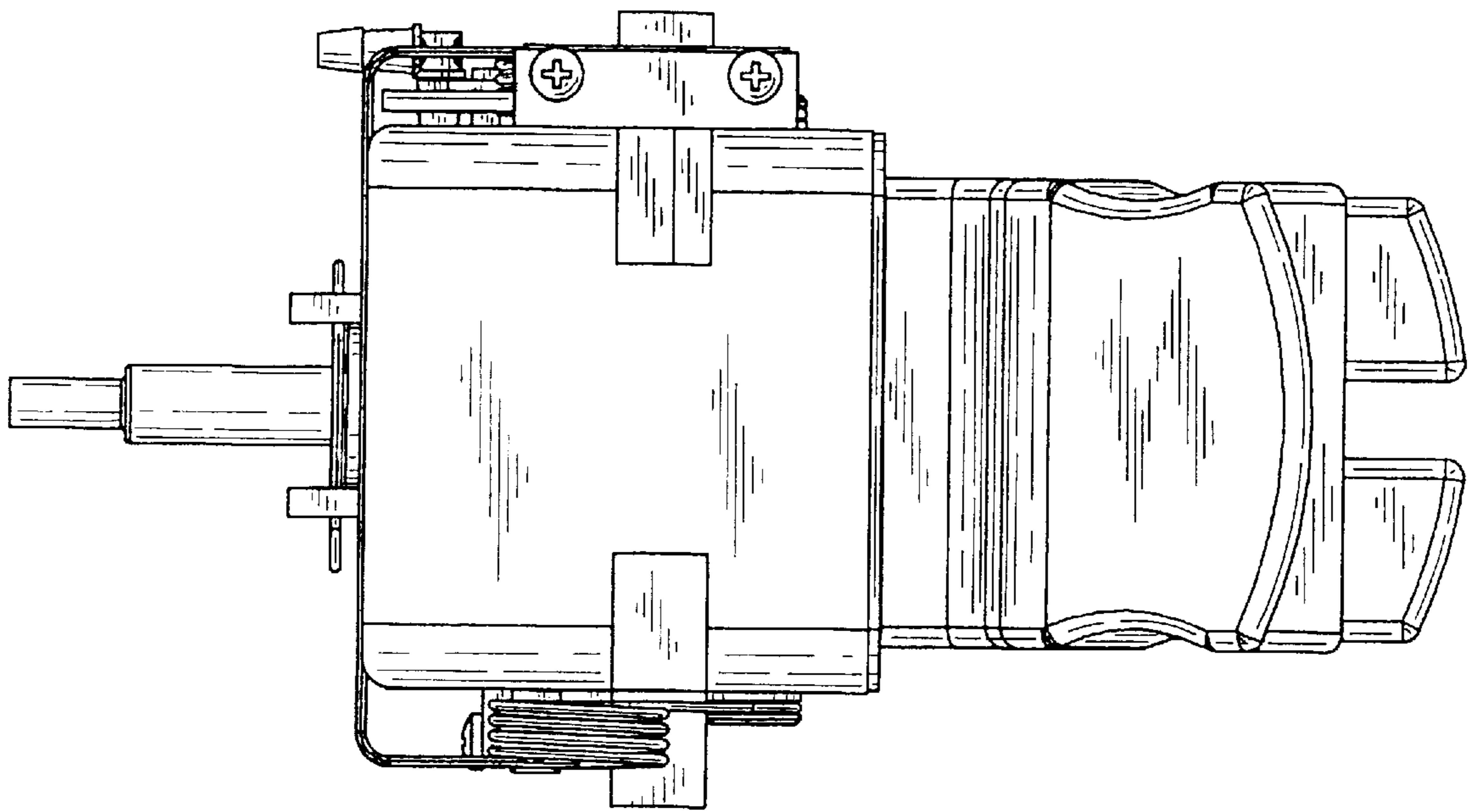


FIG. 15

