



US00D412571S

United States Patent [19]
Lee

[11] **Patent Number: Des. 412,571**

[45] **Date of Patent: ** Aug. 3, 1999**

[54] **COMBINED CEILING FAN AND LIGHT
FIXTURE**

D. 379,199 5/1997 Pickett D23/377

[76] Inventor: **Ching-Tan Lee**, No. 52, Lane
480, Section 2, Fenghsi, Taichung Hsien,
Taiwan

Primary Examiner—Lisa Lichtenstein
Attorney, Agent, or Firm—Rosenberg, Klein & Bilker

[**] Term: **14 Years**

[57] **CLAIM**

The ornamental design for a combined ceiling fan and light
fixture, as shown.

[21] Appl. No.: **29/097,828**

DESCRIPTION

[22] Filed: **Dec. 15, 1998**

[51] **LOC (6) Cl.** **23-04**

[52] **U.S. Cl.** **D23/377; D23/379; D23/385;**
D26/59

[58] **Field of Search** D23/377, 379,
D23/385, 411, 413; 416/5; 392/364; 362/96;
D26/80, 72, 73, 81-86, 88, 71, 75

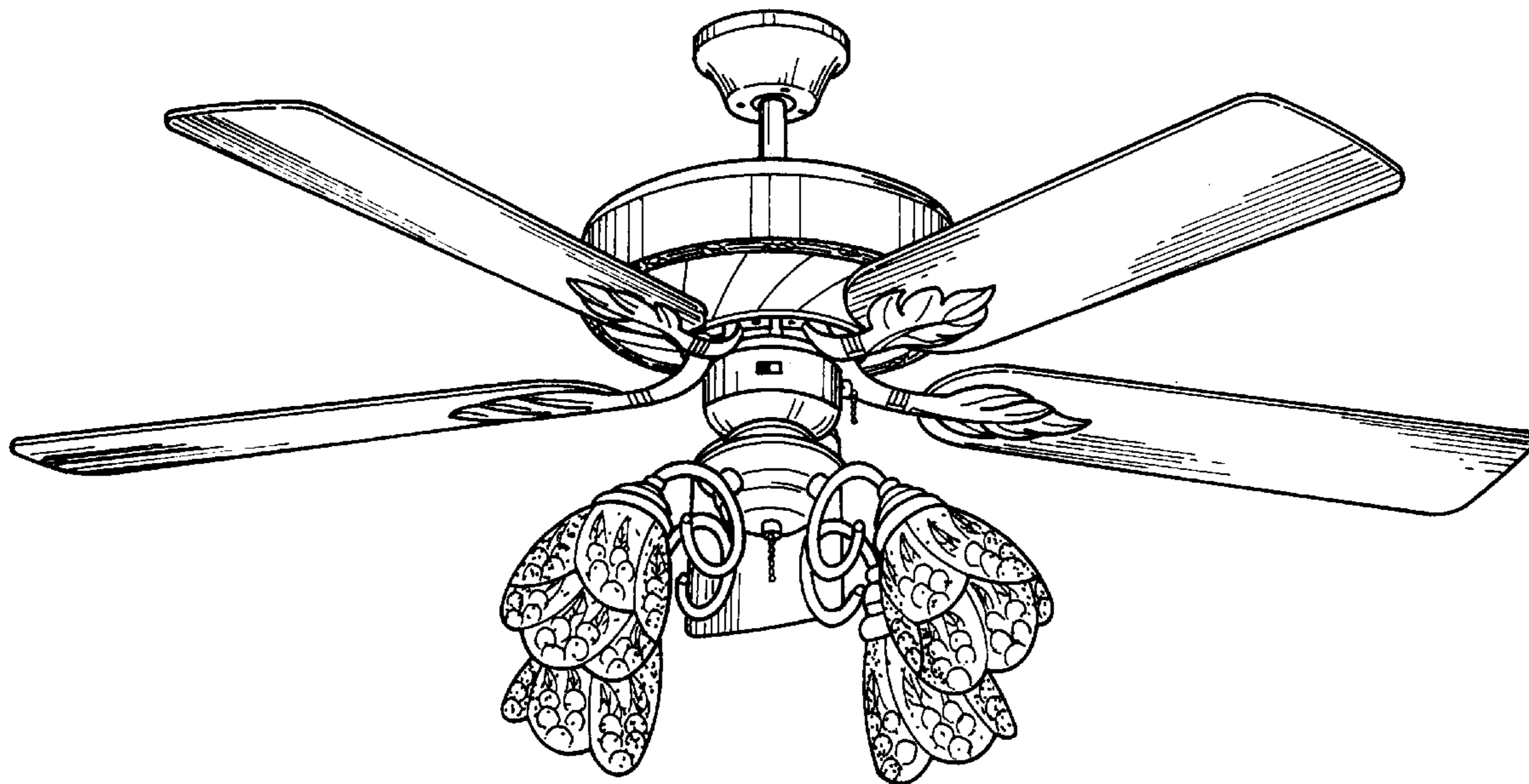
FIG. 1 is a front-bottom perspective view of a combined
ceiling fan and light fixture, showing my new design;
FIG. 2 is a front elevational view thereof;
FIG. 3 is a rear plan view thereof;
FIG. 4 is a left elevational view thereof;
FIG. 5 is a right elevational view thereof;
FIG. 6 is a bottom plan view thereof on a reduced scale; and,
FIG. 7 is a top plan view thereof on a reduced scale.

[56] **References Cited**

U.S. PATENT DOCUMENTS

D. 377,976 2/1997 Jaspers-Fayer D23/377

1 Claim, 7 Drawing Sheets



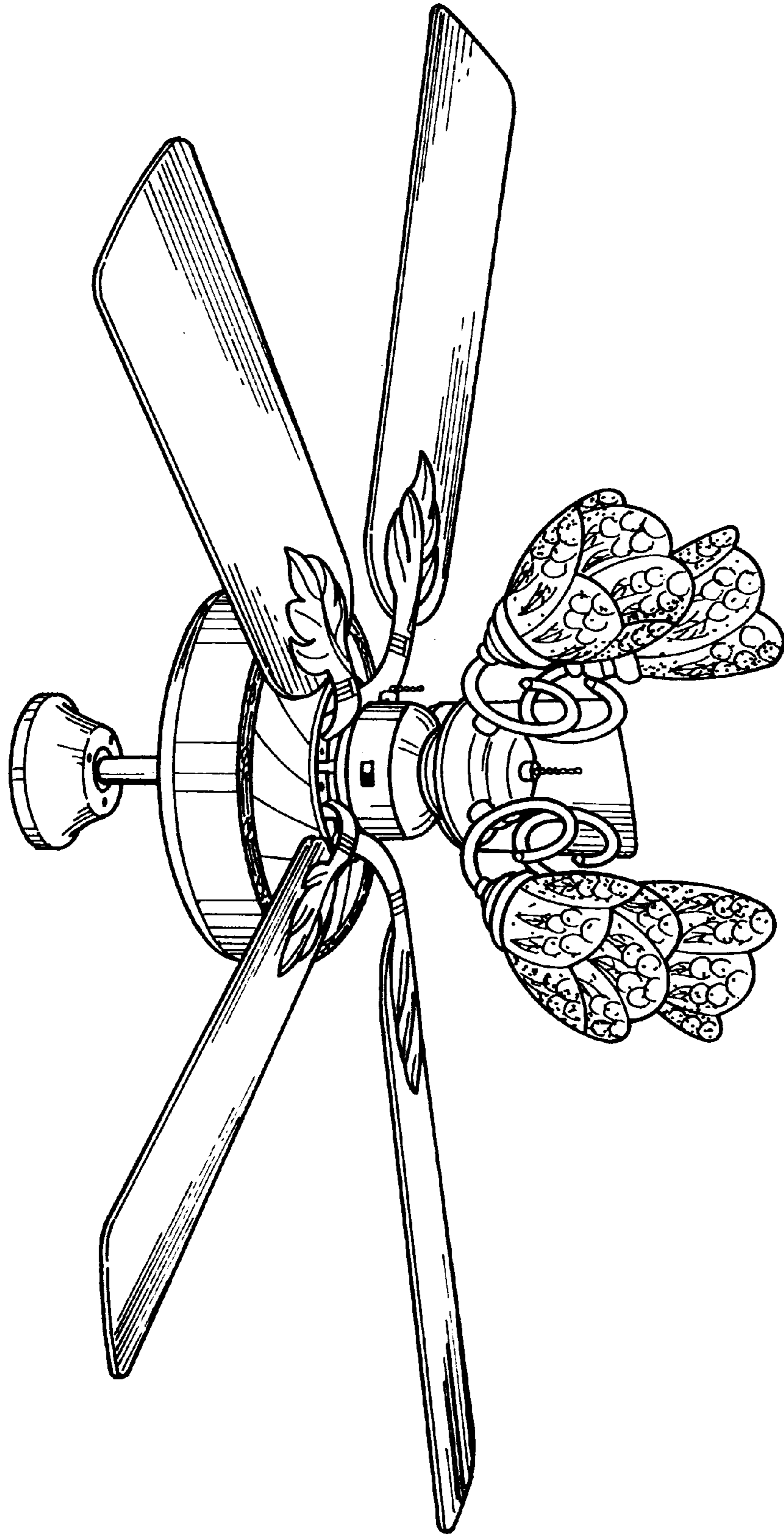


FIG.1

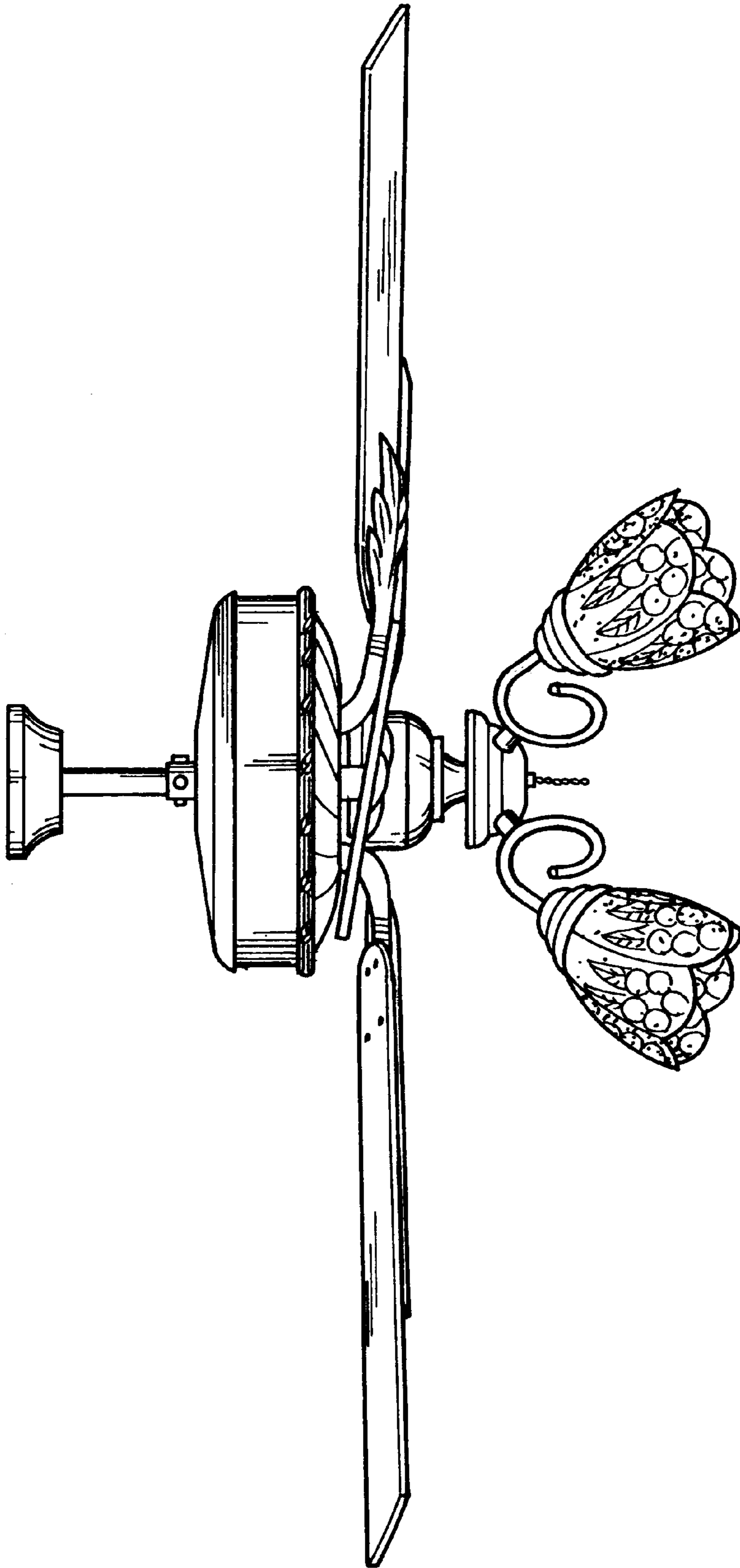


FIG.2

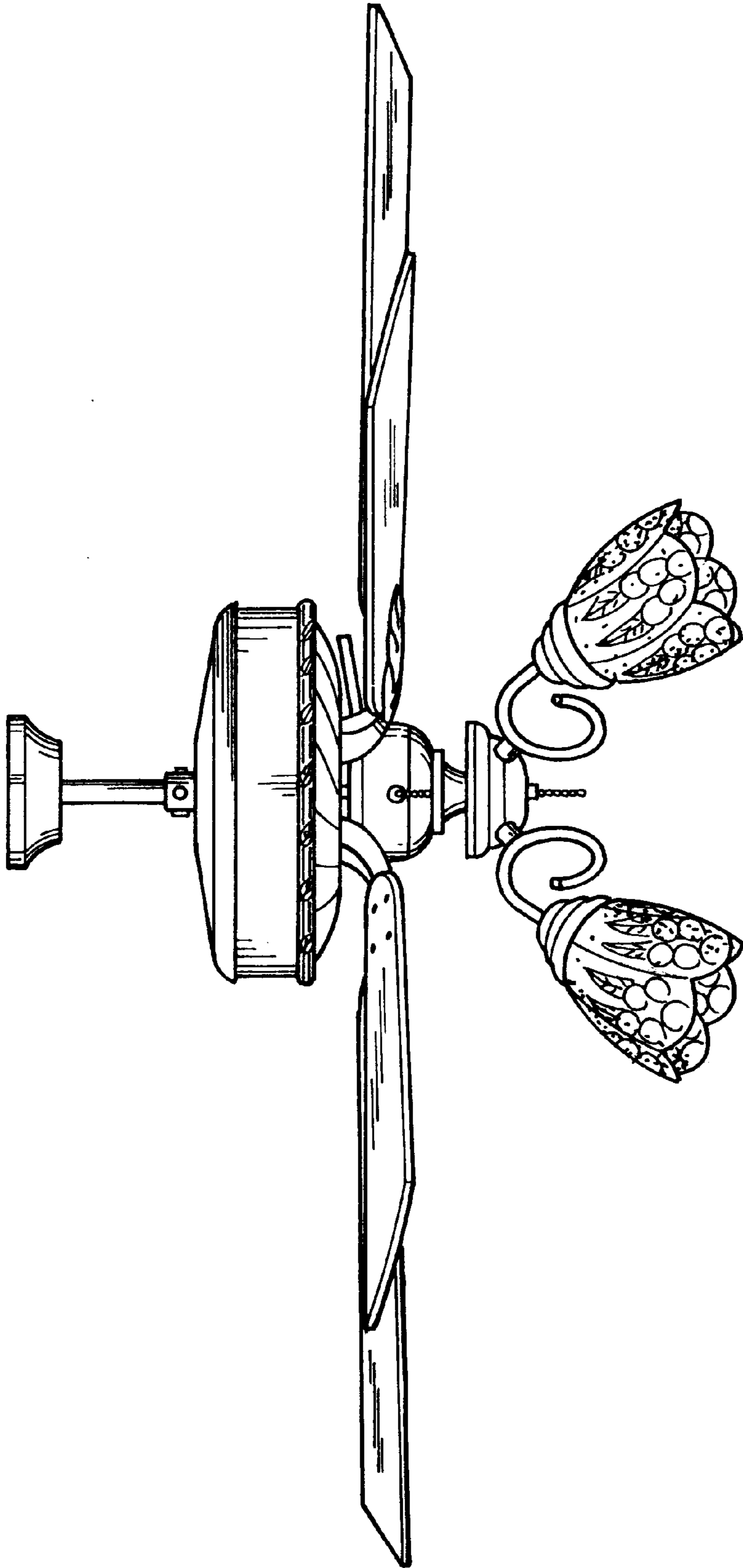


FIG. 3

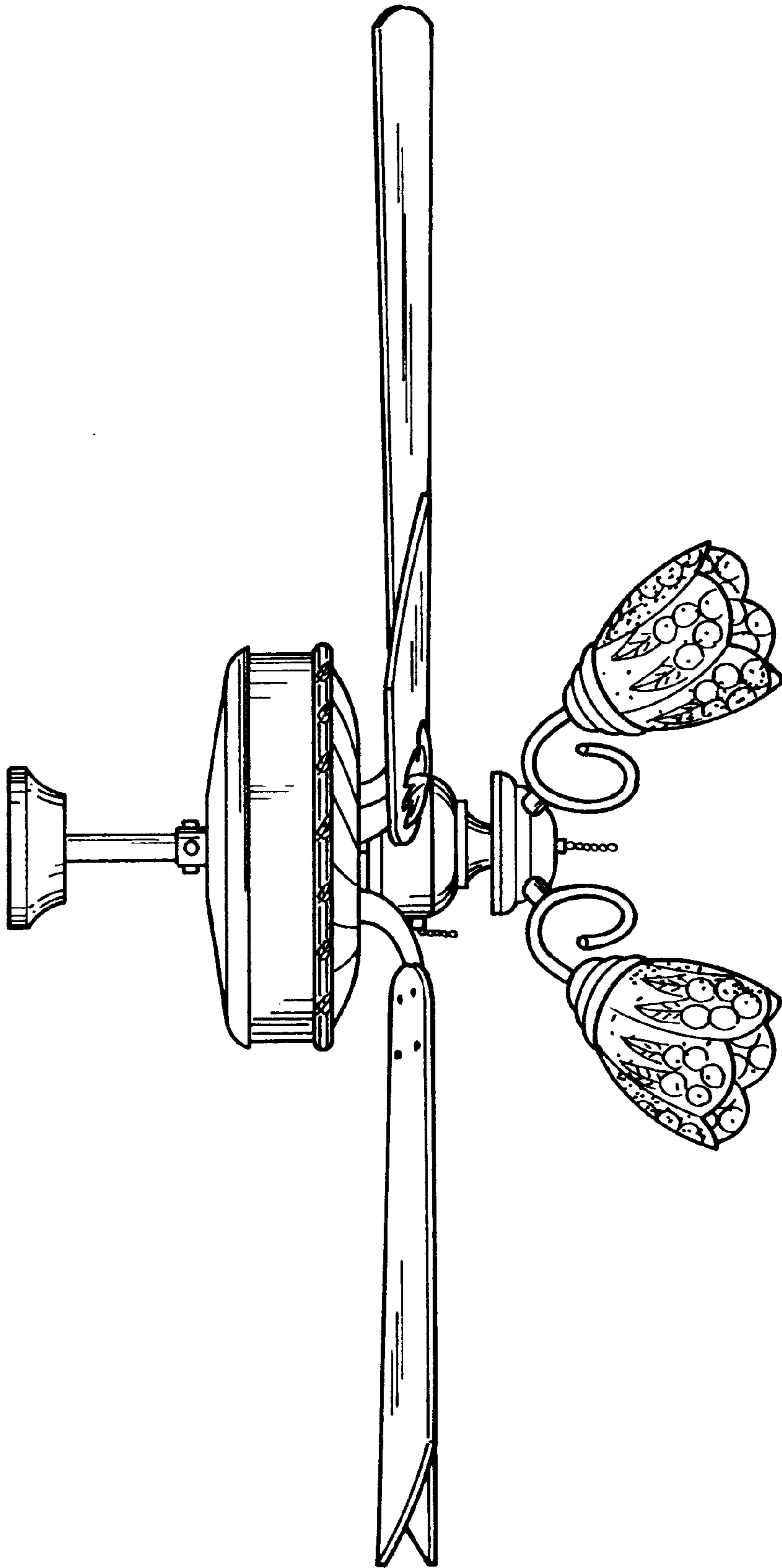


FIG.4

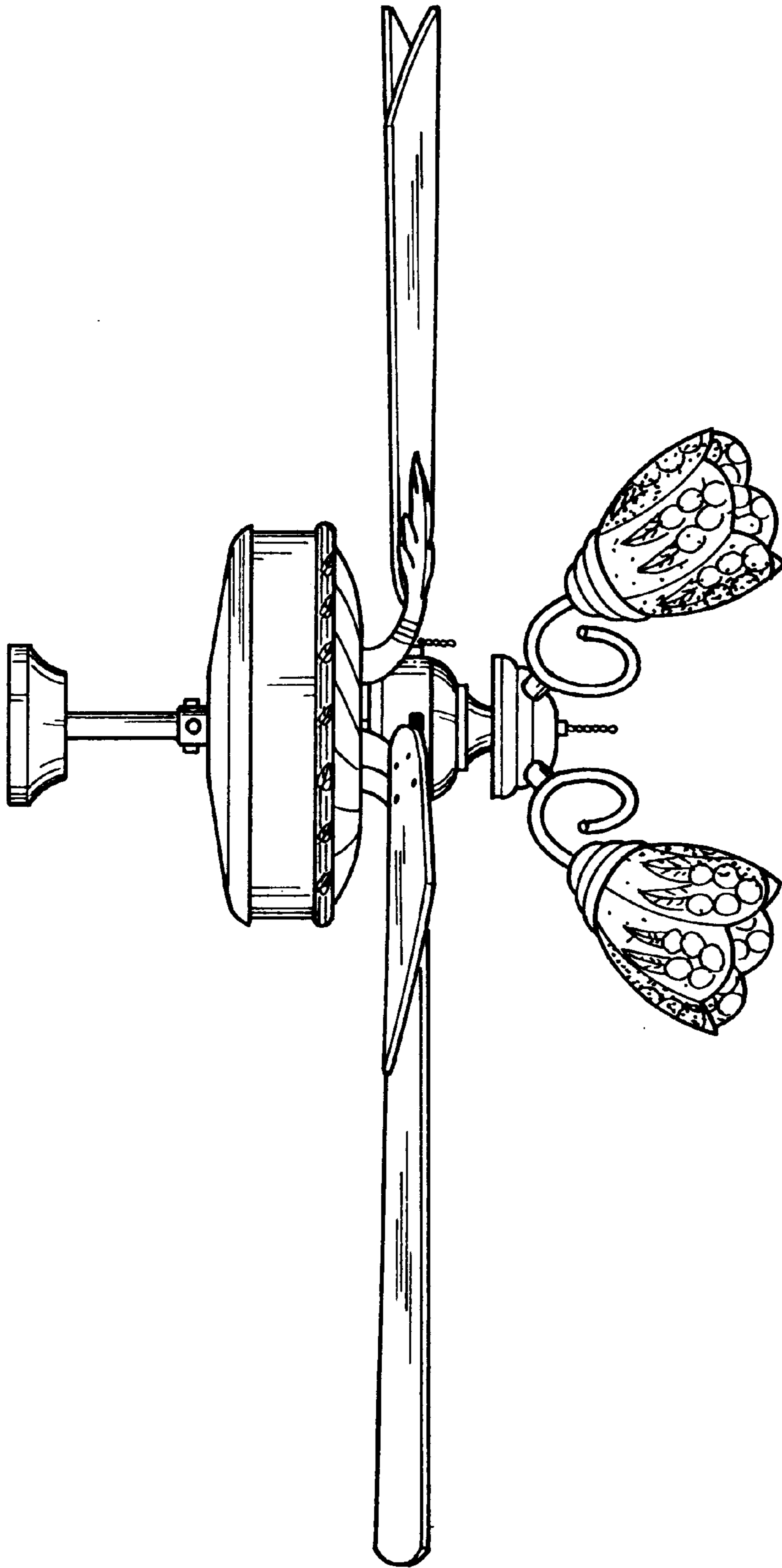


FIG.5

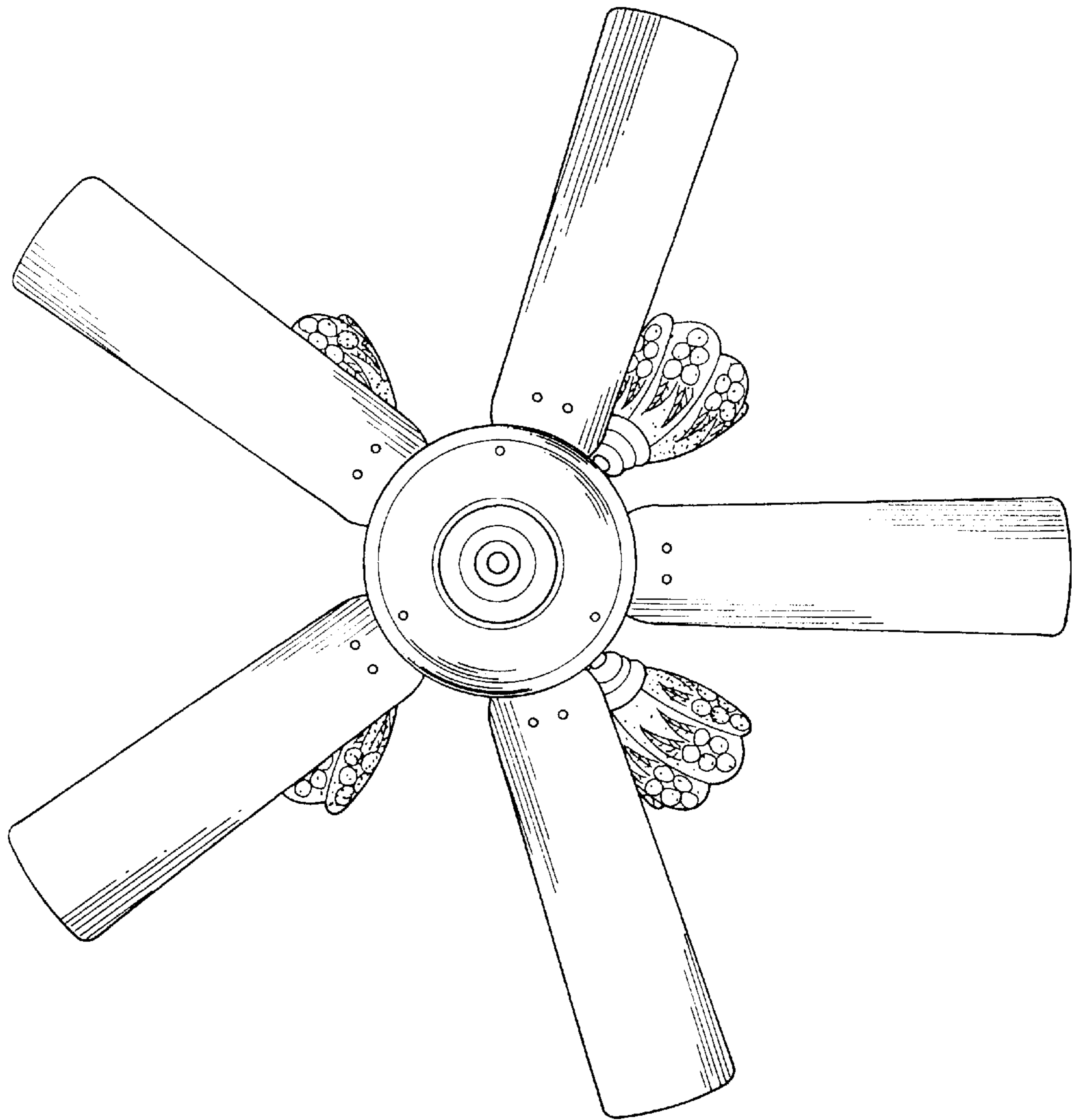


FIG.6

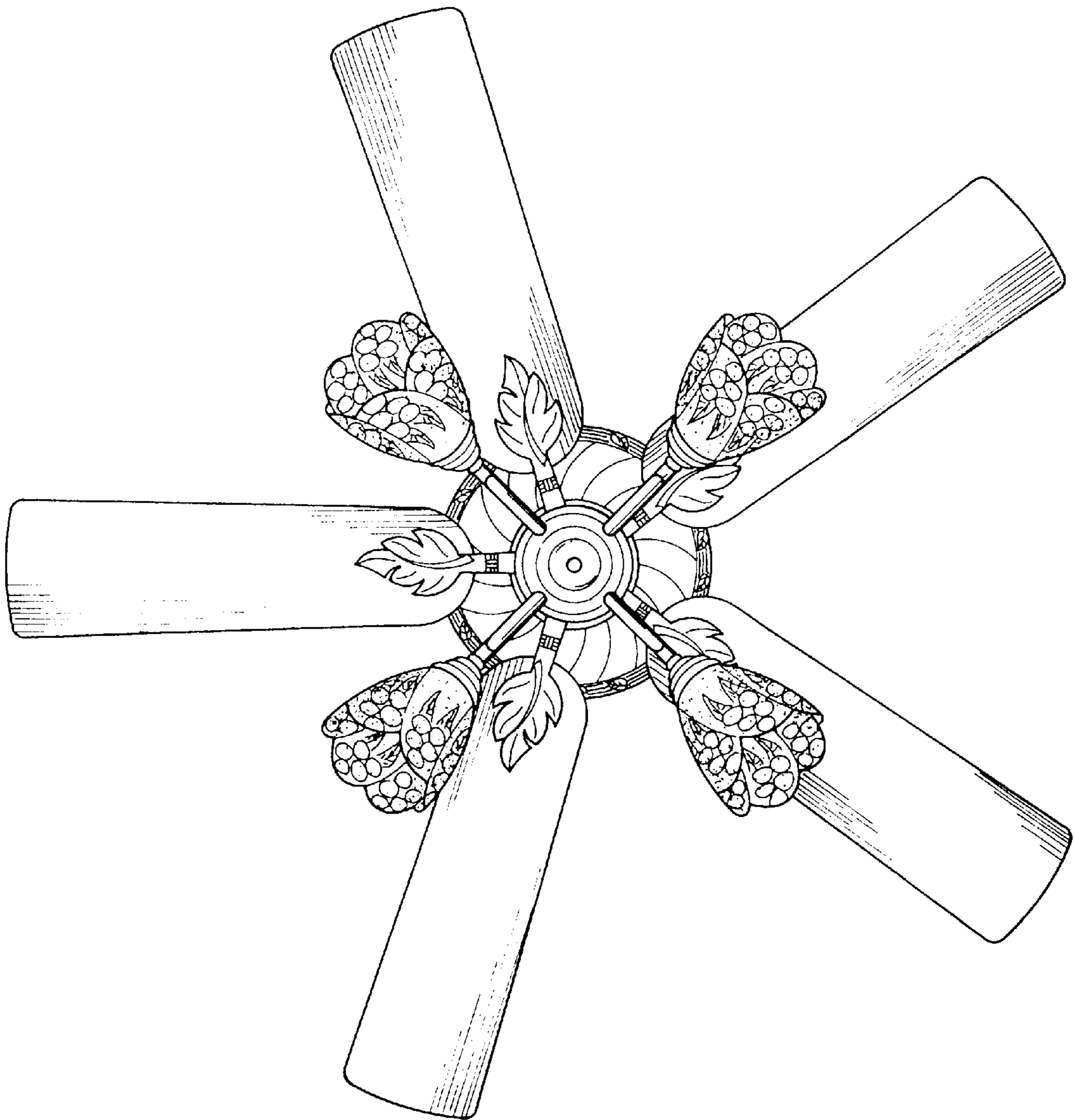


FIG. 7