



US00D412568S

United States Patent [19]

[11] Patent Number: Des. 412,568

Ward et al.

[45] Date of Patent: ** Aug. 3, 1999

[54] COVER FOR A HOUSING FOR AN AIR CLEANER

[75] Inventors: **Dennis E. Ward**, Richfield; **Kevin J. Schrage**, Spring Valley, both of Minn.; **Paul R. Coulonvaux**, Brussels; **Johan G. Dewit**, Hamme-Mille, both of Belgium; **Jeffrey J. Ivarson**, San Rafael, Calif.

[73] Assignee: **Donaldson Company, Inc.**, Minneapolis, Minn.

[**] Term: **14 Years**

[21] Appl. No.: **29/076,662**

[22] Filed: **Sep. 12, 1997**

[51] LOC (6) Cl. **23-04**

[52] U.S. Cl. **D23/364**

[58] Field of Search D23/364; 55/510, 55/320, 337, 498, 521, 459.1, 359; 96/97; 210/304

[56] References Cited

U.S. PATENT DOCUMENTS

- 4,491,460 1/1985 Tokar .
- 5,545,241 8/1996 Vanderauwera et al. .
- 5,547,480 8/1996 Coulonvaux .
- 5,755,842 5/1998 Patel et al. .

FOREIGN PATENT DOCUMENTS

- 93/9129 8/1994 South Africa .

OTHER PUBLICATIONS

Declaration of Stan Koehler with Exhibits A-E.

Primary Examiner—Lisa Lichtenstein

Attorney, Agent, or Firm—Merchant, Gould, Smith, Edell, Welter & Schmidt, P.A.

[57] CLAIM

The ornamental design for a cover for a housing for an air cleaner, as shown and described.

DESCRIPTION

FIG. 1 is a front side elevational view of a cover for a housing for an air cleaner, according to the present invention;

FIG. 2 is a back side elevational view of the cover of FIG. 1;

FIG. 3 is a bottom plan view of the cover of FIG. 1;

FIG. 4 is a top plan view of the cover of FIG. 1; and

FIG. 5 is a right side elevational view of the cover of FIG. 1; The left side elevational view of the cover of FIG. 1 not depicted, as it is plain and unornamented;

FIG. 6 is a right side elevational view of a second embodiment of a cover for a housing for an air cleaner, according to the present invention; the back side elevational view of the cover of FIG. 6 being identical in appearance to FIG. 2; the bottom plan view of the cover of FIG. 6 being identical in appearance to FIG. 3; the top plan view of the cover of FIG. 6 being identical in appearance to FIG. 4; the front side elevational view of the cover of FIG. 6 being identical in appearance to FIG. 1; and the left side elevational view of the cover of FIG. 6 not being depicted, as it is plain and unornamented;

FIG. 7 is a right side view of a third embodiment of a cover for a housing for an air cleaner, according to the present invention; the bottom plan view of the cover of FIG. 7 being substantially identical in appearance to FIG. 3; the left side elevational view of the cover of FIG. 7 not being depicted, as it is plain and unornamented;

FIG. 8 is a top plan view of the cover of FIG. 7; and

FIG. 9 is a front side elevational view of the cover of FIG. 7; the back side elevational view being a mirror image thereof;

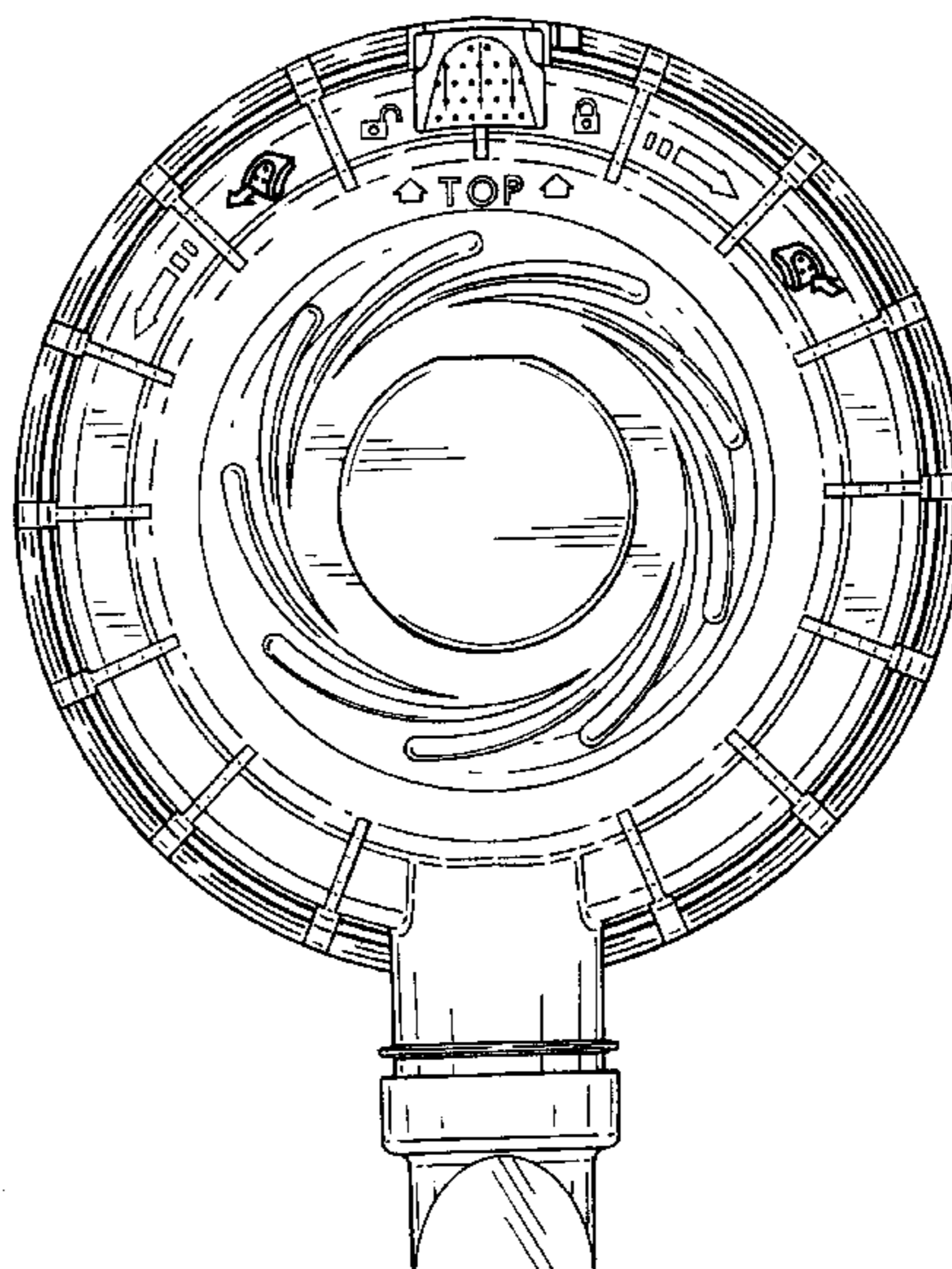
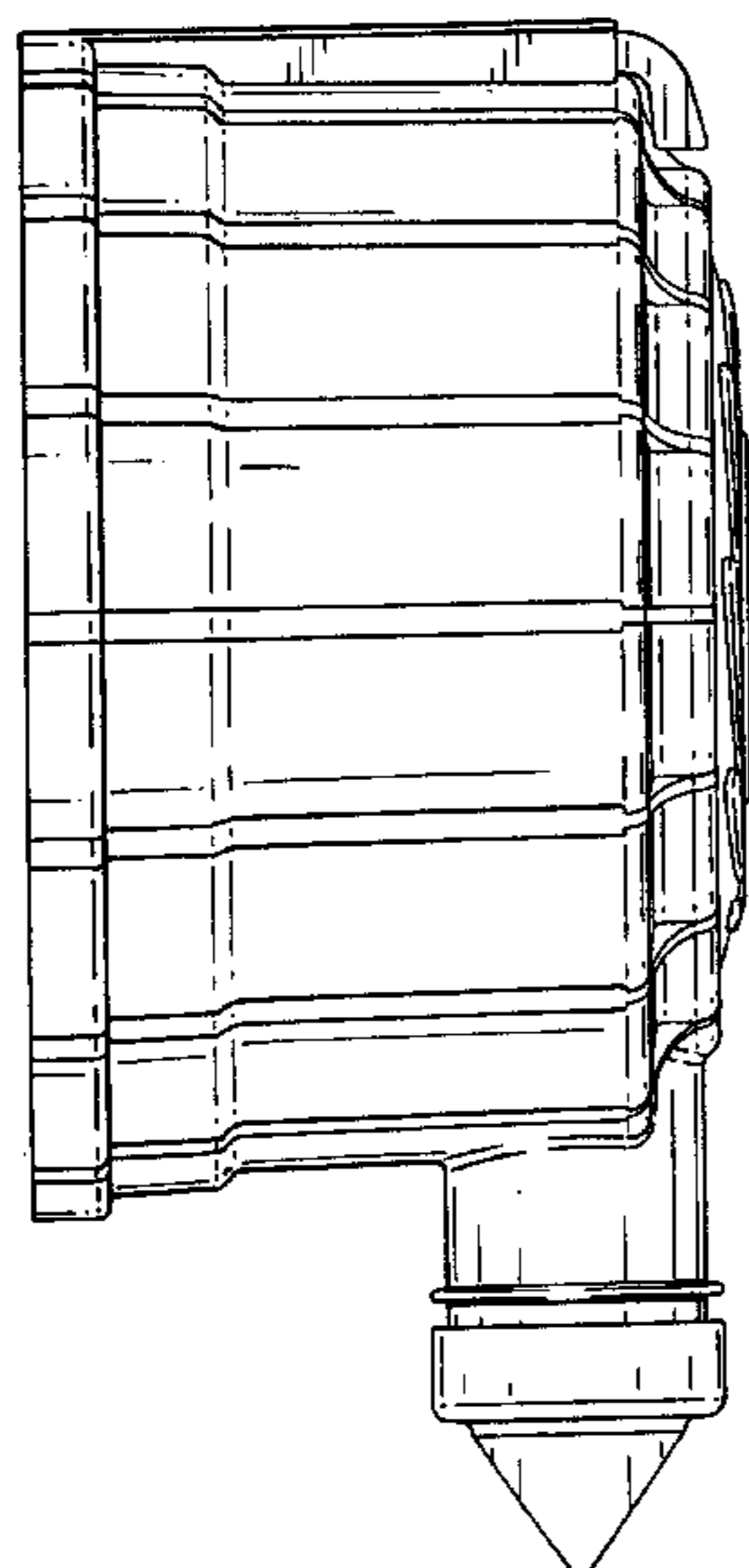


FIG. 10 is a right side elevational view of a fourth embodiment of a cover for a housing for an air cleaner, according to the present invention; the bottom plan view of the cover of FIG. 10 being identical in appearance to FIG. 3; the top plan view of the cover of FIG. 10 being identical in appearance to FIG. 8; the front side elevational view of the cover of FIG. 10 being identical in appearance to FIG. 9, and the back side elevational view being substantially a mirror image of the front side elevational view; the left side elevational view of the cover of FIG. 10 not being depicted, as it is plain and unornamented;

FIG. 11 is a front side elevational view of a fifth embodiment of a cover for a housing for an air cleaner, according to the present invention;

FIG. 12 is a back side elevational view of the cover of FIG. 11;

FIG. 13 is a bottom plan view of the cover of FIG. 11;

FIG. 14 is a top plan view of the cover of FIG. 11;

FIG. 15 is a right side elevational view of the cover of FIG. 11; The left side elevational view of the cover of FIG. 11 not being depicted, as it is plain and unornamented;

FIG. 16 is right side elevational view of a sixth embodiment of a cover for a housing for an air cleaner, according to the present invention; the back side elevational view of the cover of FIG. 16 being identical in appearance to FIG. 12;

the bottom plan view of the cover of FIG. 16 being identical in appearance to FIG. 13; the top plan view of the cover of FIG. 16 being identical in appearance to FIG. 14; and the front side elevational view of the cover of FIG. 16 being identical in appearance to FIG. 11; the left side elevational view of the cover of FIG. 16 not being depicted, as it is plain and unornamented;

FIG. 17 is a right side elevational view of a seventh embodiment of a cover for a housing for an air cleaner, according to the present invention; the bottom plan view of the cover of FIG. 17 being identical in appearance to FIG. 13; the left side elevational view of the cover of FIG. 17 not being depicted, as it is plain and unornamented;

FIG. 18 is a top plan view of the cover of FIG. 17; and FIG. 19 is a front side elevational view of the cover of FIG. 17; the back side elevational view being a mirror image thereof; and,

FIG. 20 is a right side elevational view of a eighth embodiment of a cover for a housing for an air cleaner, according to the present invention; the bottom plan view of the cover of FIG. 20 being identical in appearance to FIG. 13; the top plan view of the cover of FIG. 20 being identical in appearance to FIG. 18; the front side elevational view of the cover of FIG. 20 being identical in appearance to FIG. 19, and the back side elevational view being substantially a mirror image of the front side elevational view; the left side elevational view of the cover of FIG. 20 not being depicted, as it is plain and unornamented.

1 Claim, 14 Drawing Sheets

FIG. 2

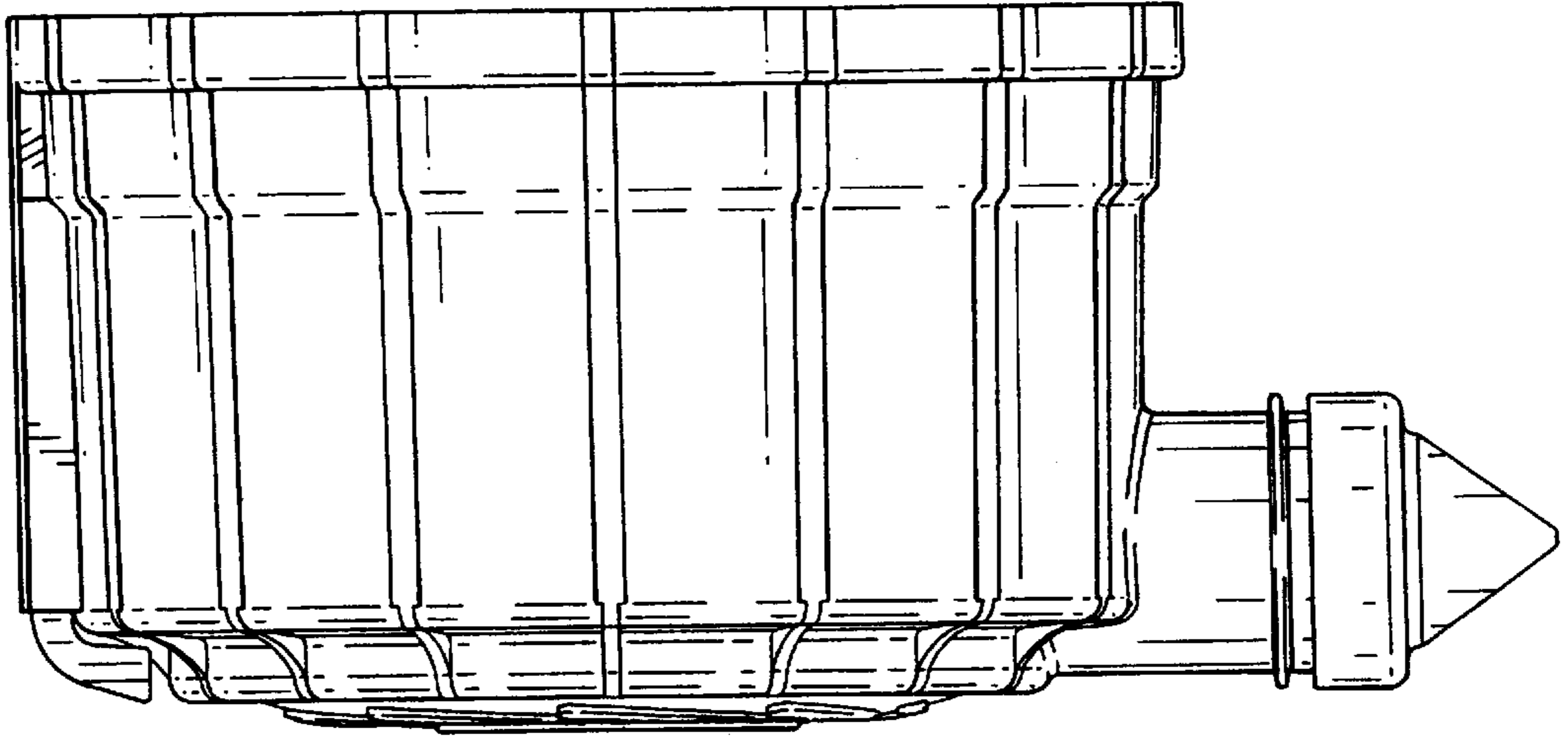


FIG. 1

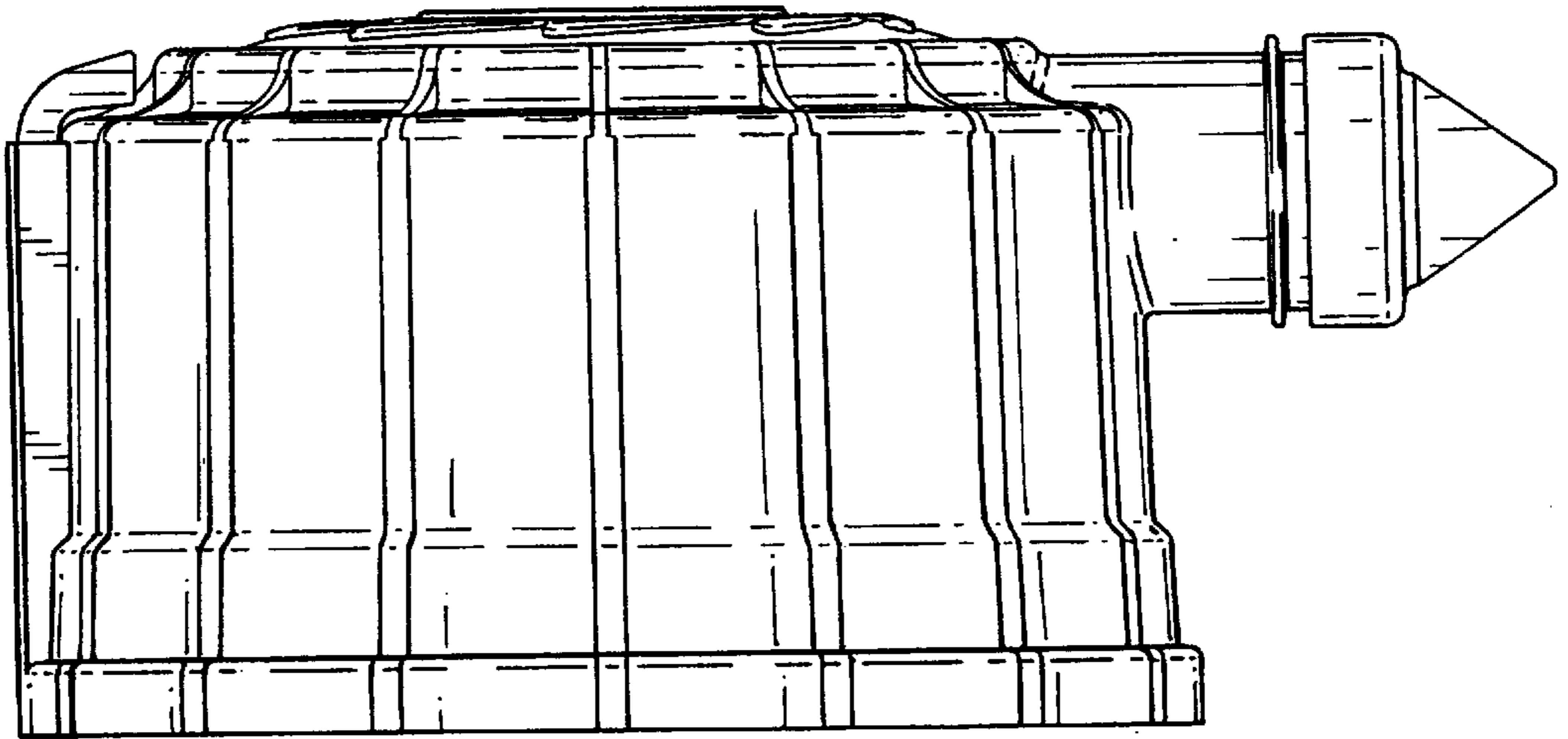


FIG. 3

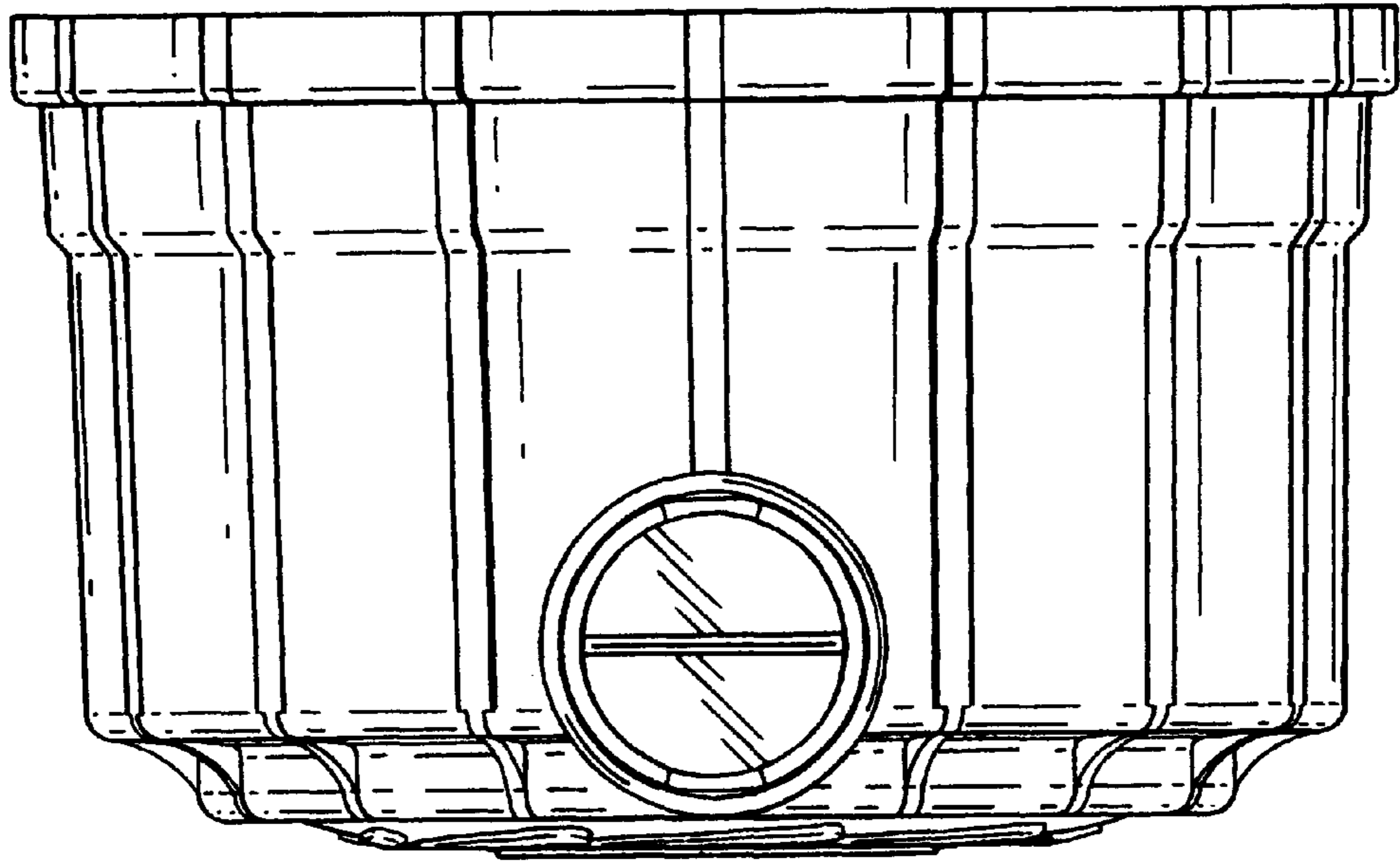


FIG. 4

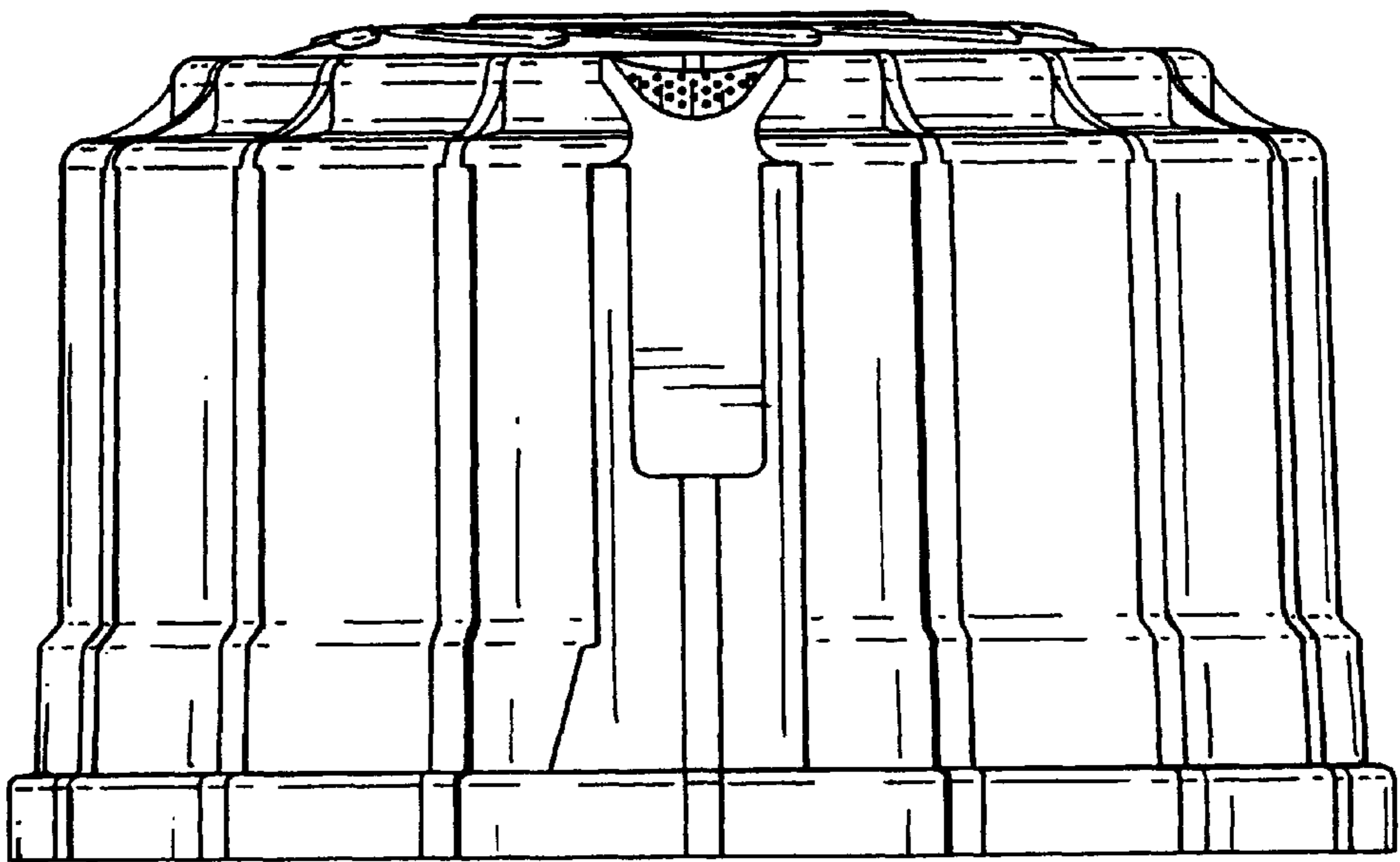
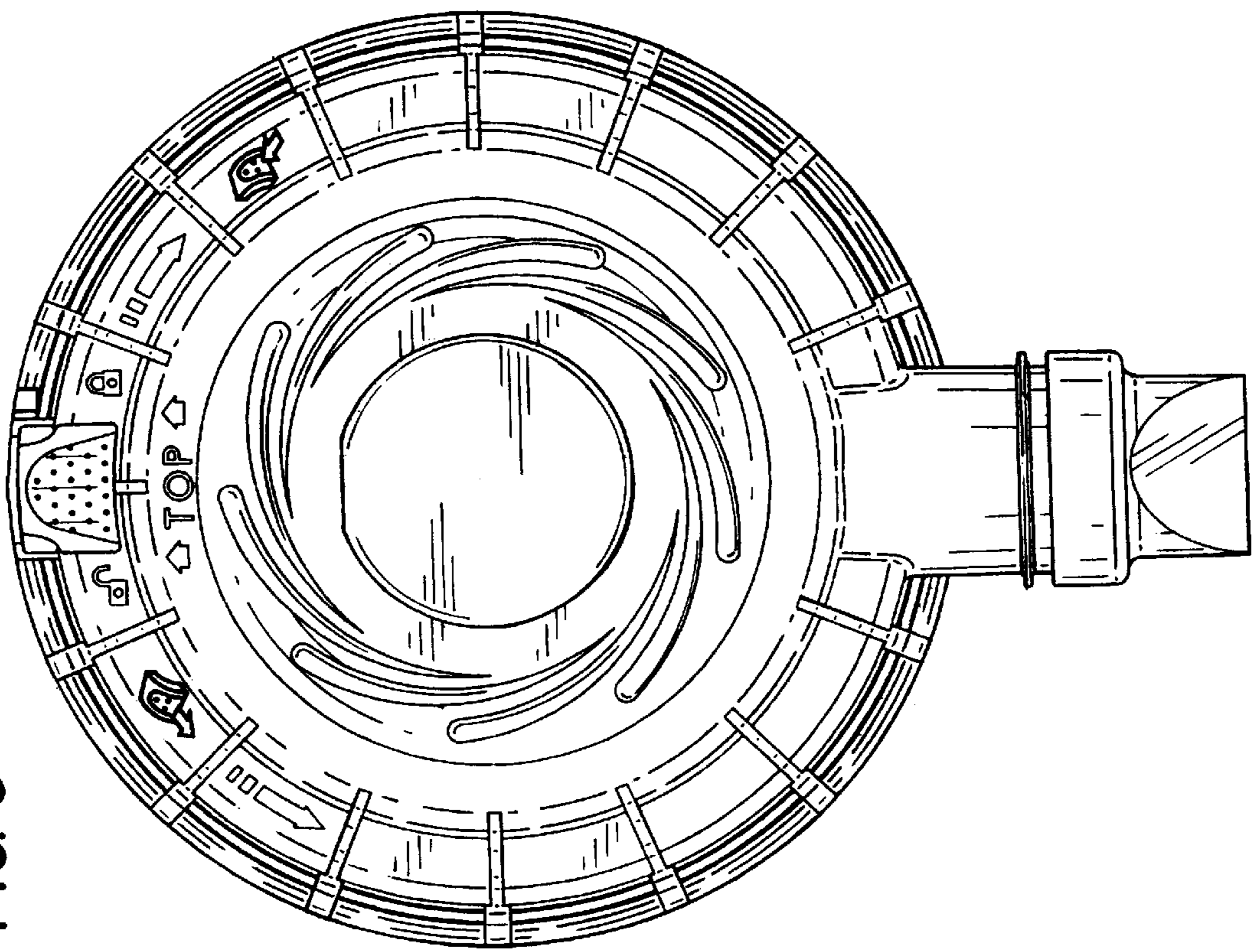


FIG. 5



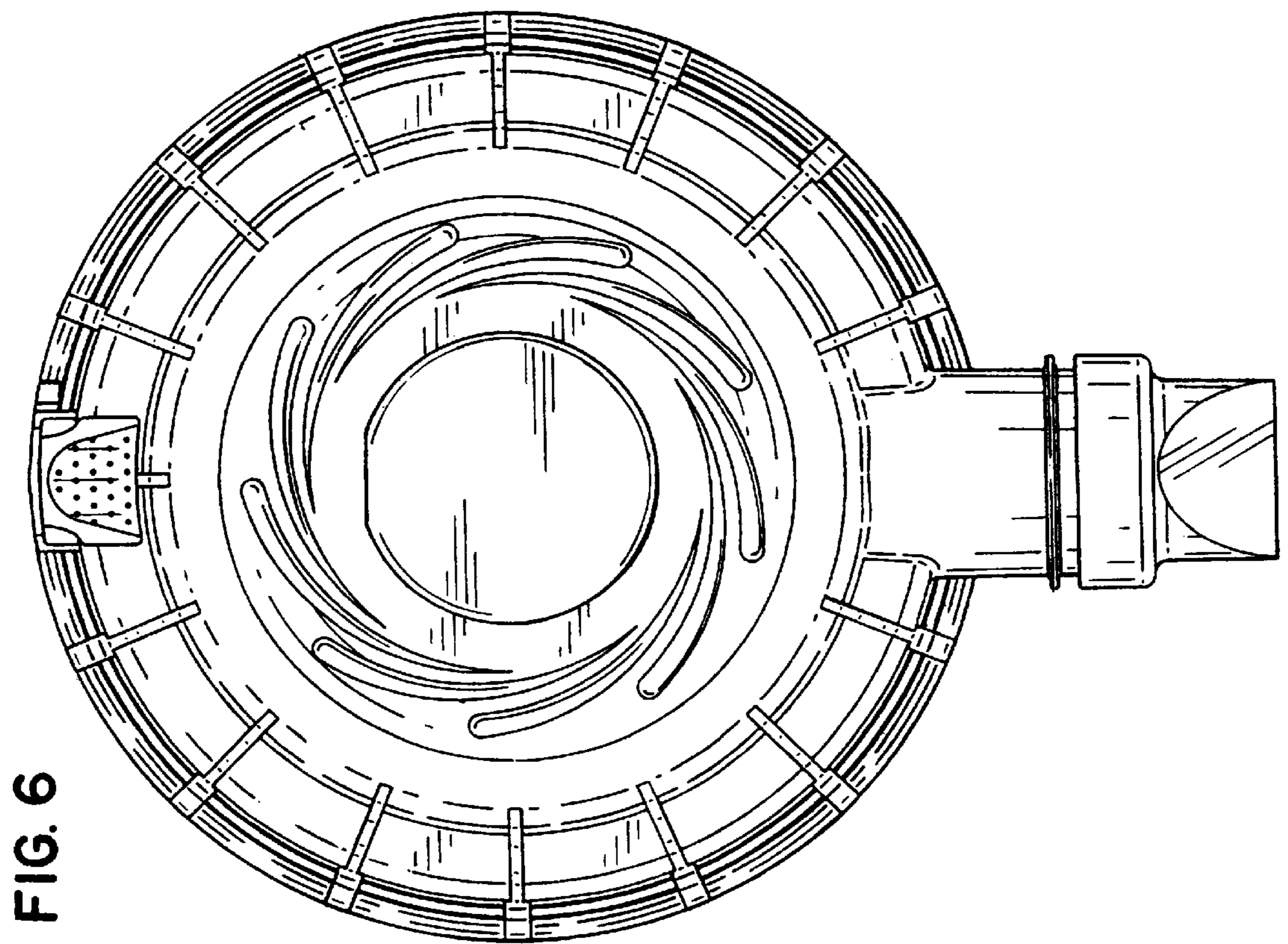


FIG. 6

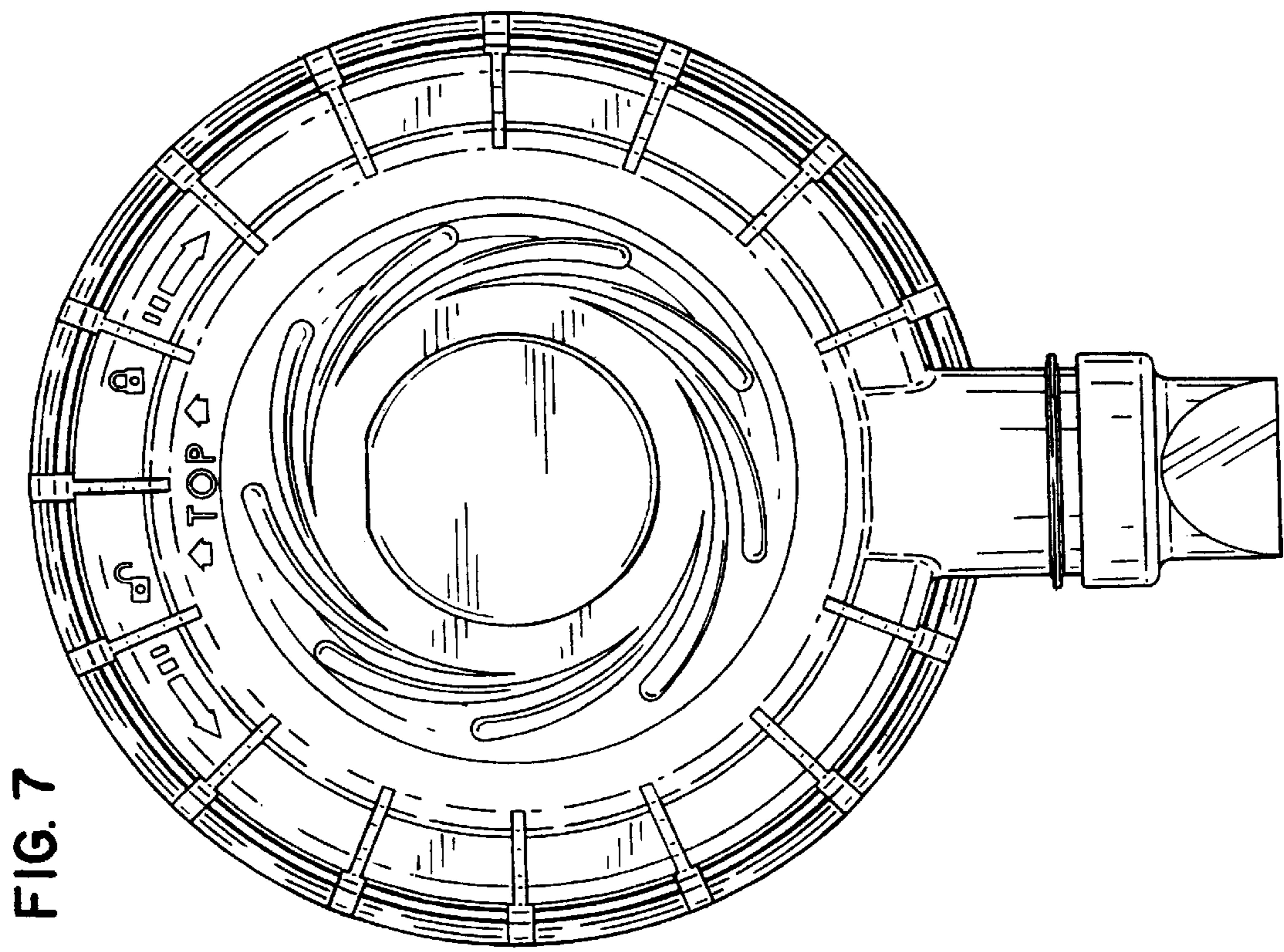


FIG. 18

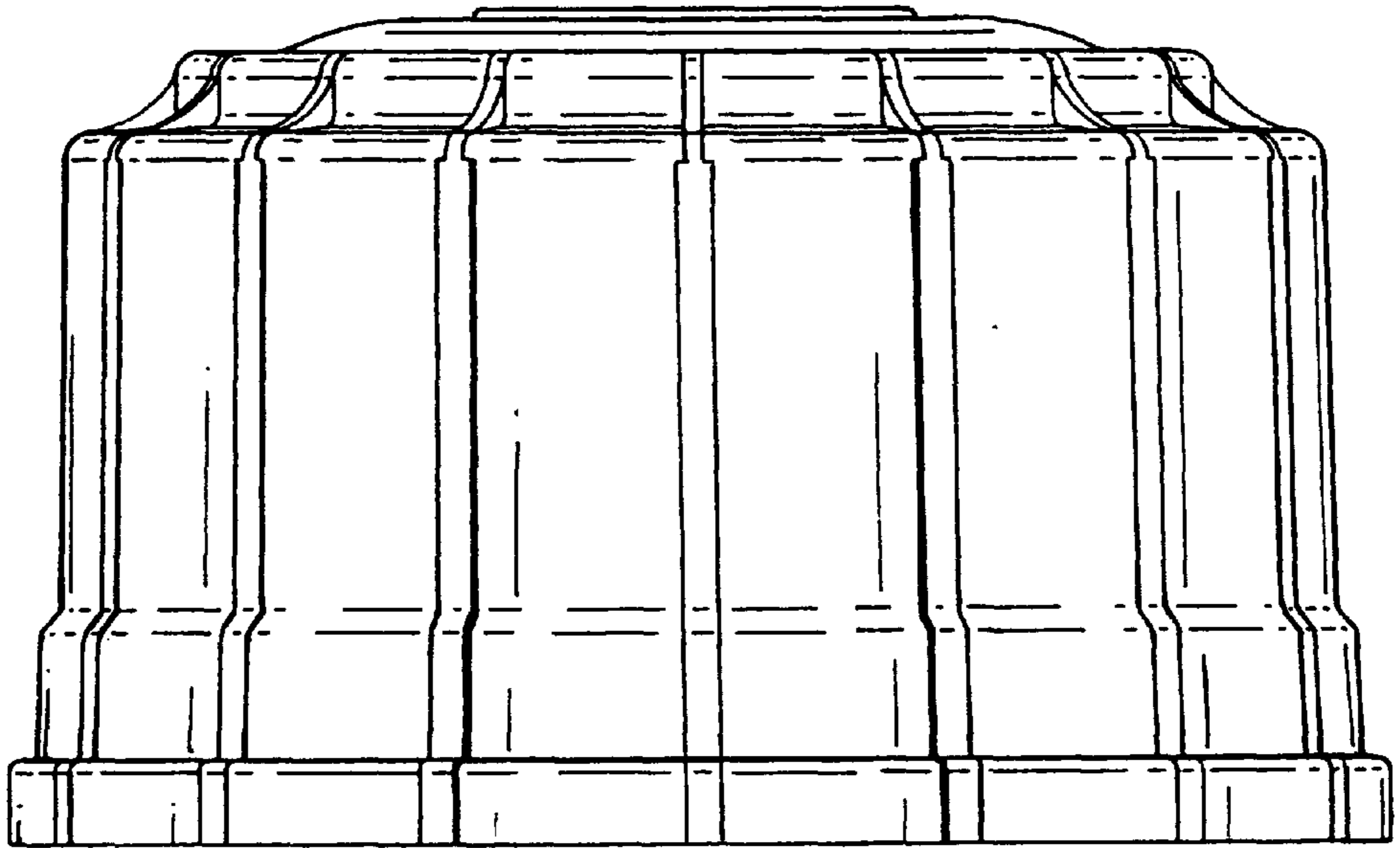


FIG. 8

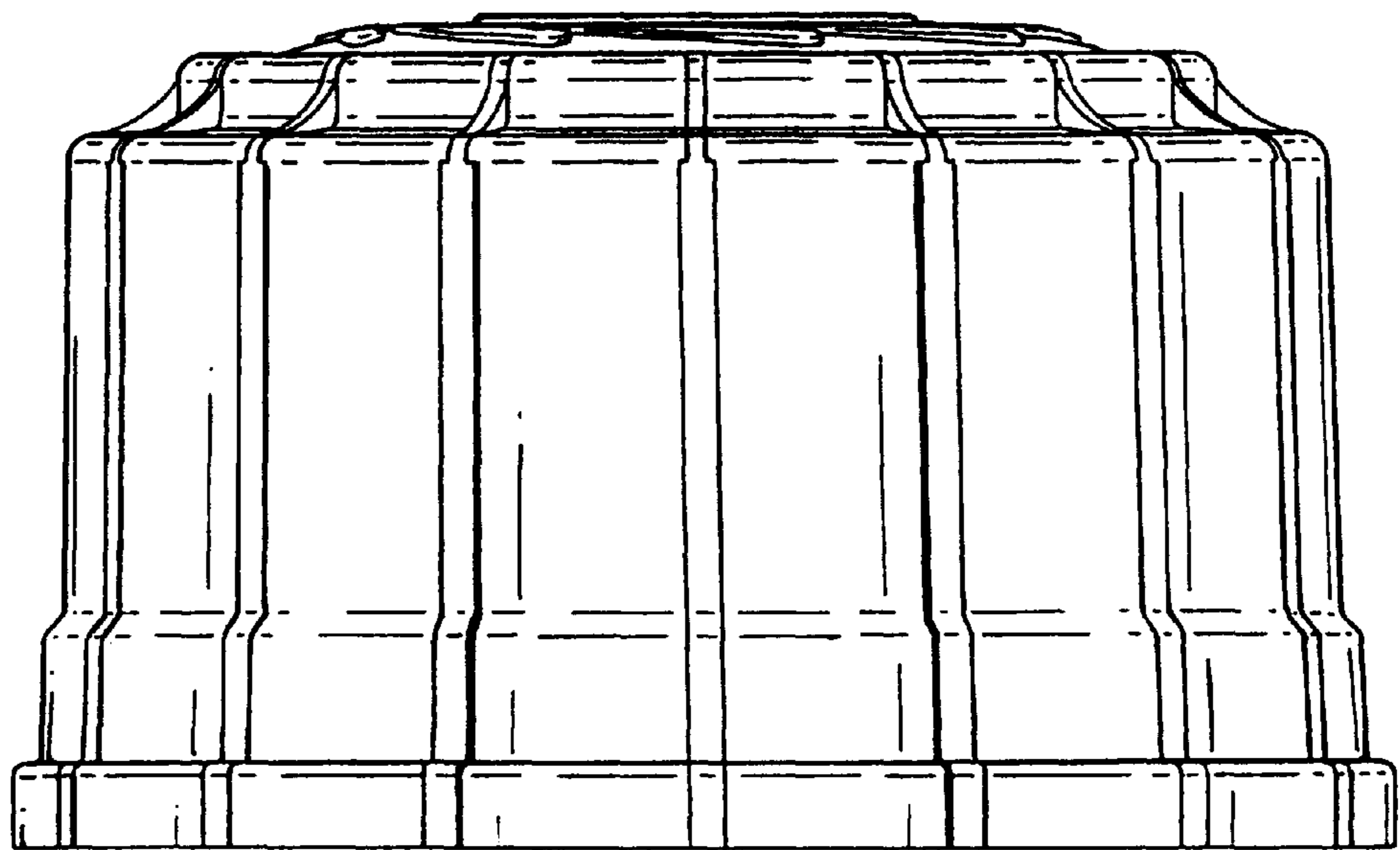


FIG. 19

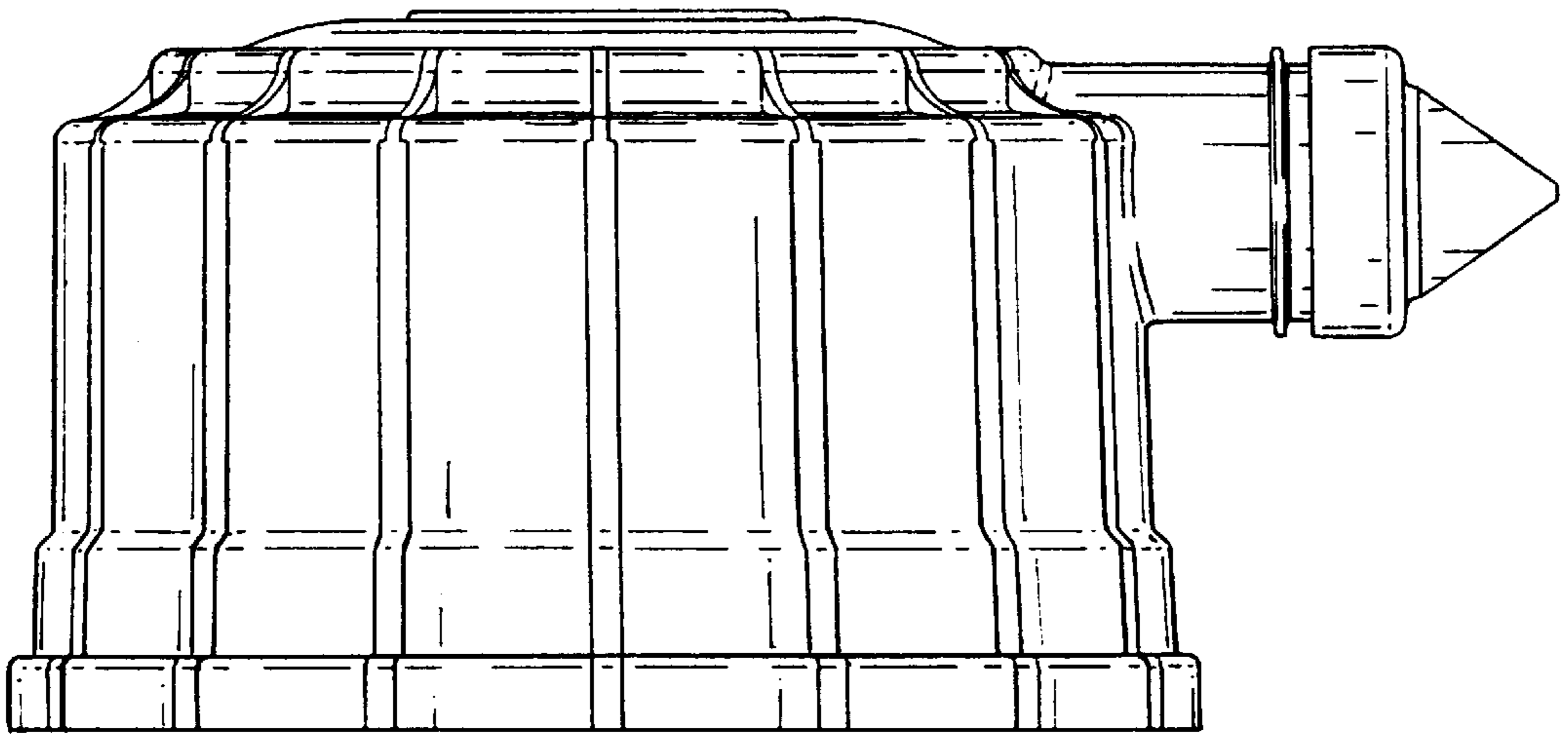
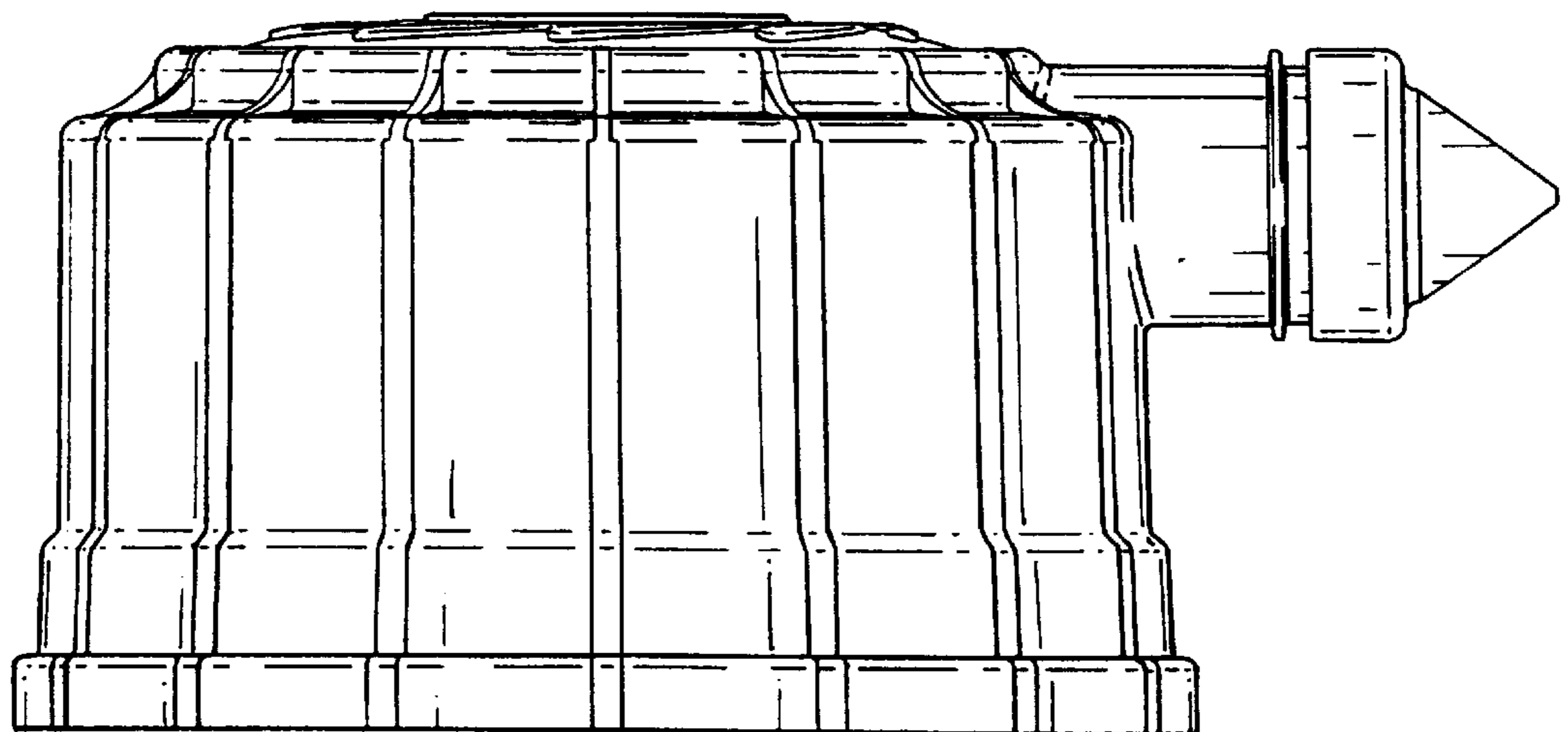


FIG. 9



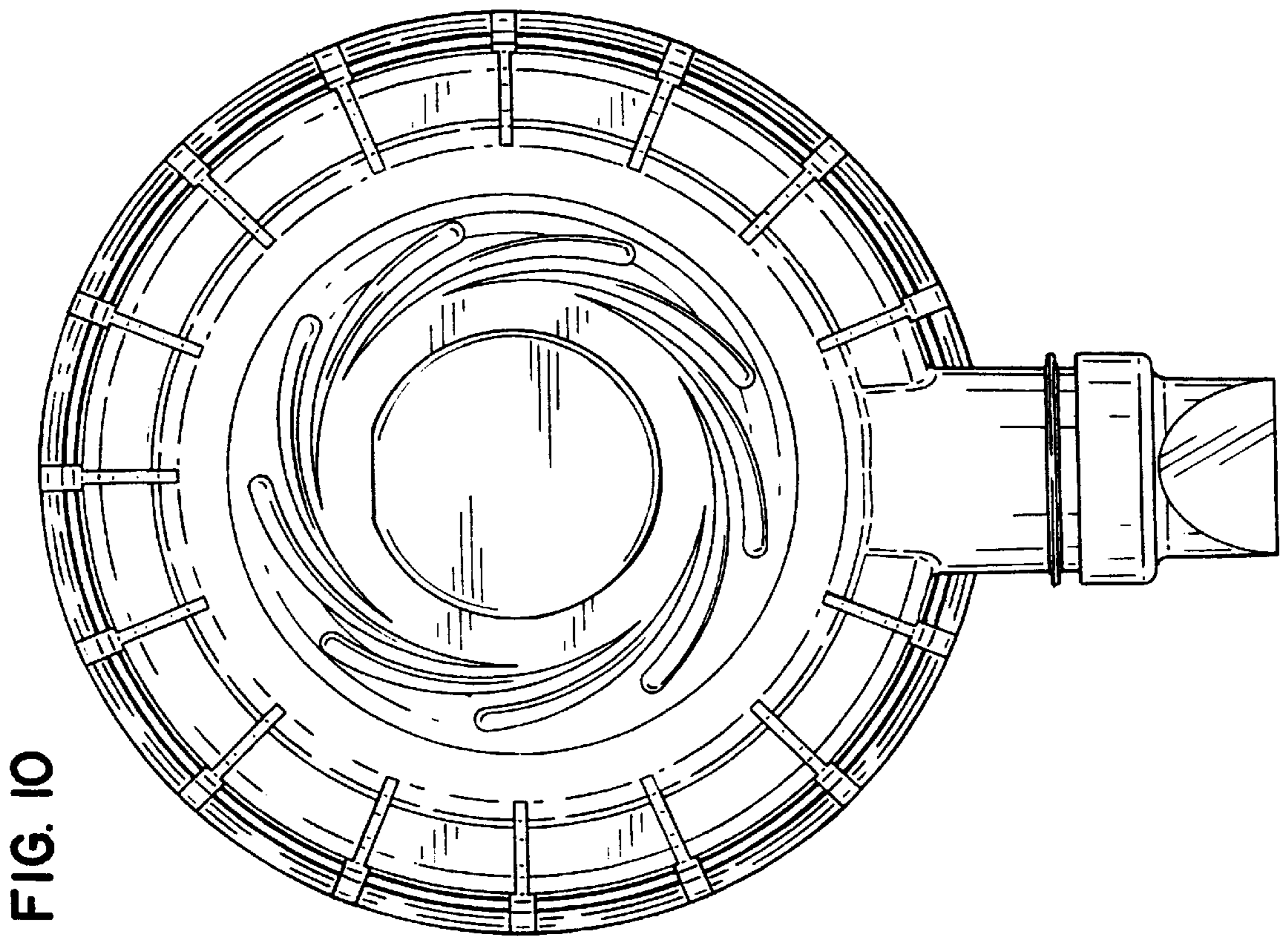


FIG. 10

FIG. 12

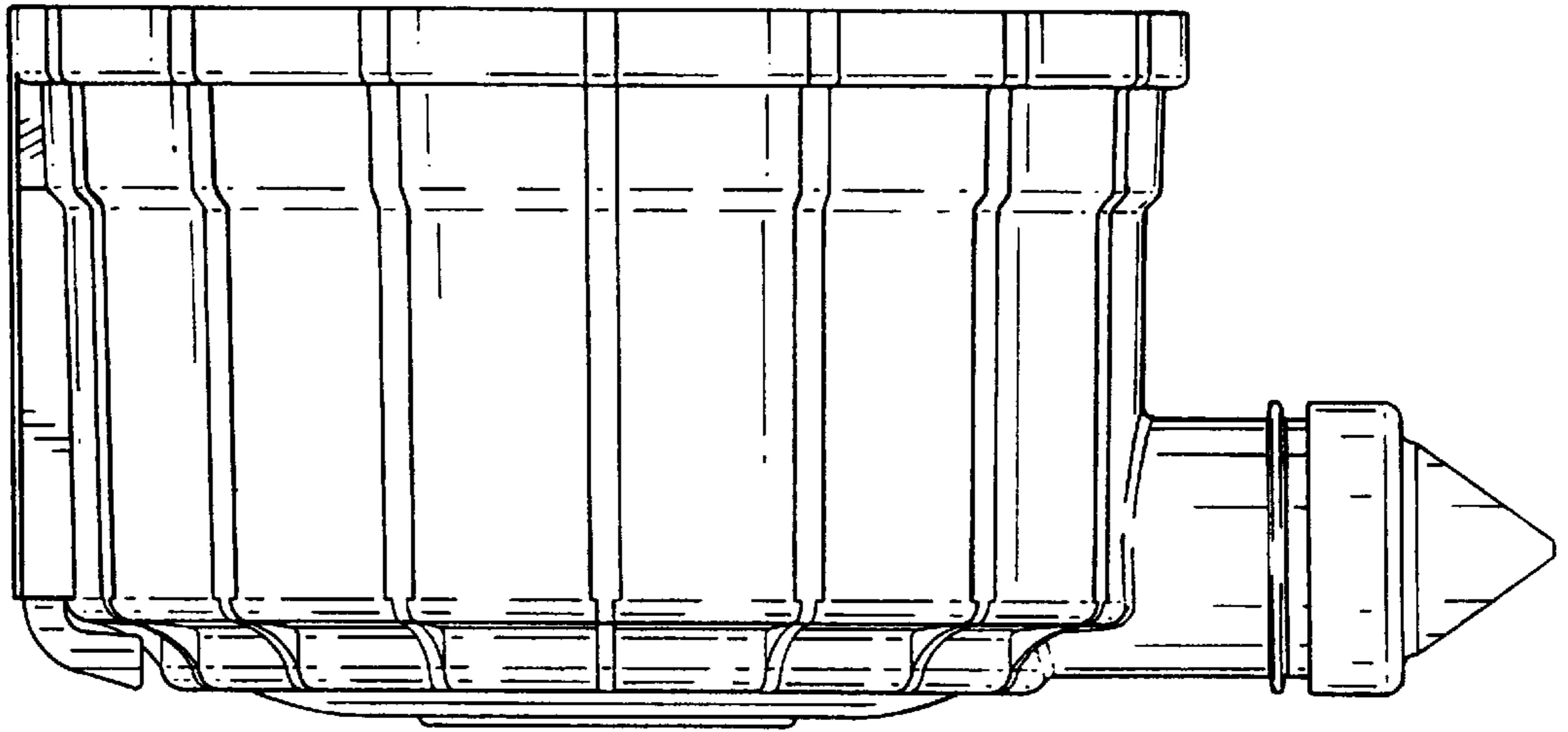


FIG. 11

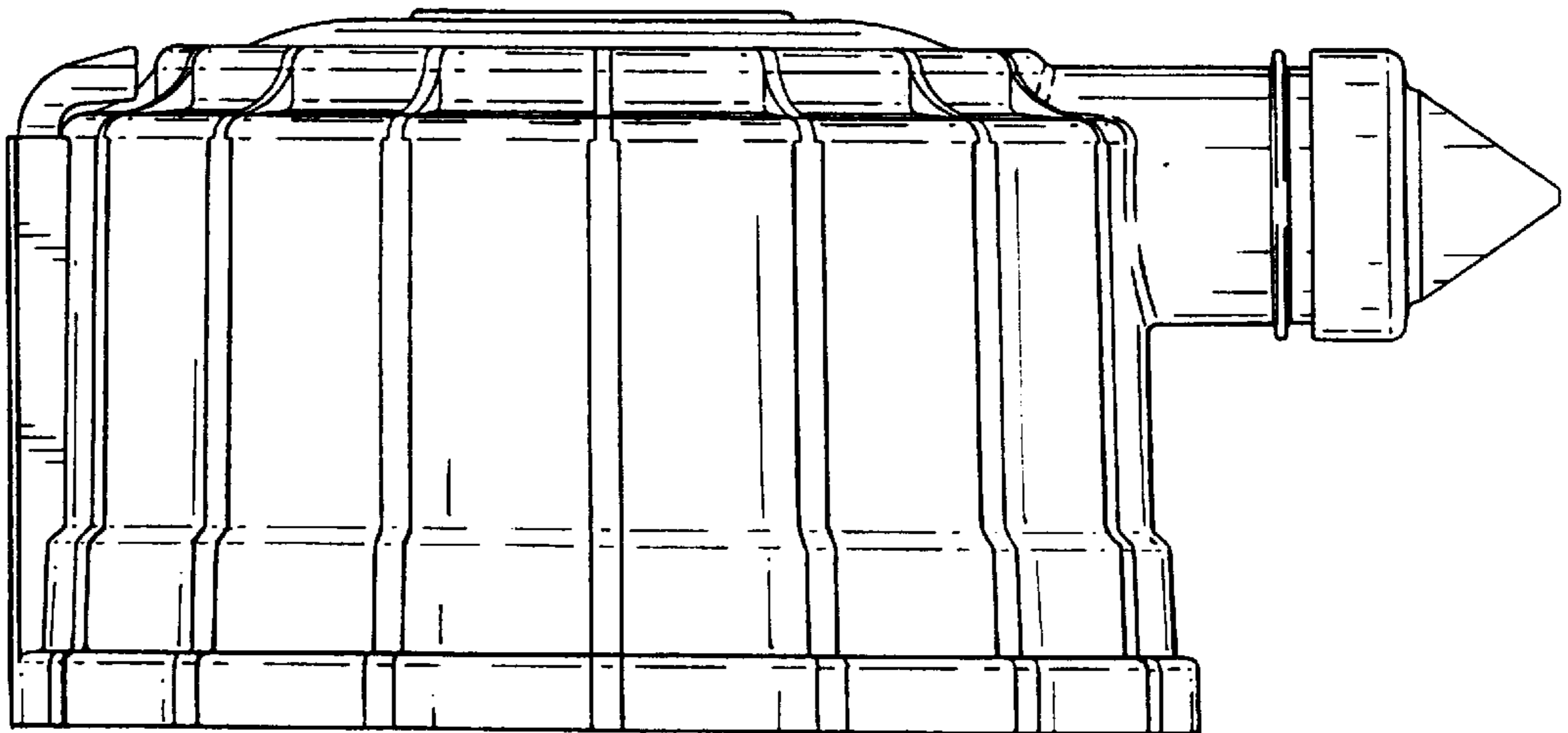


FIG. 13

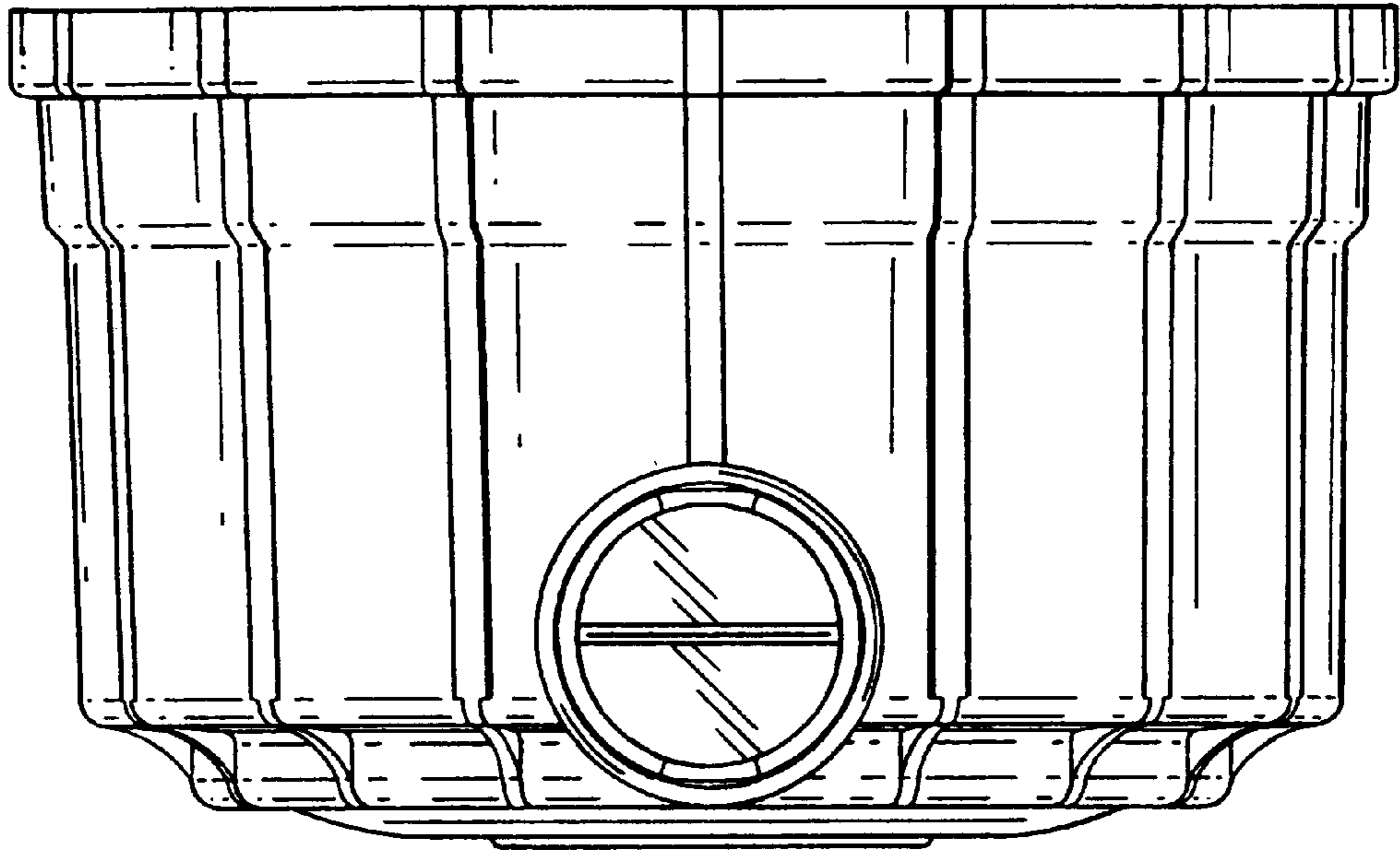


FIG. 14

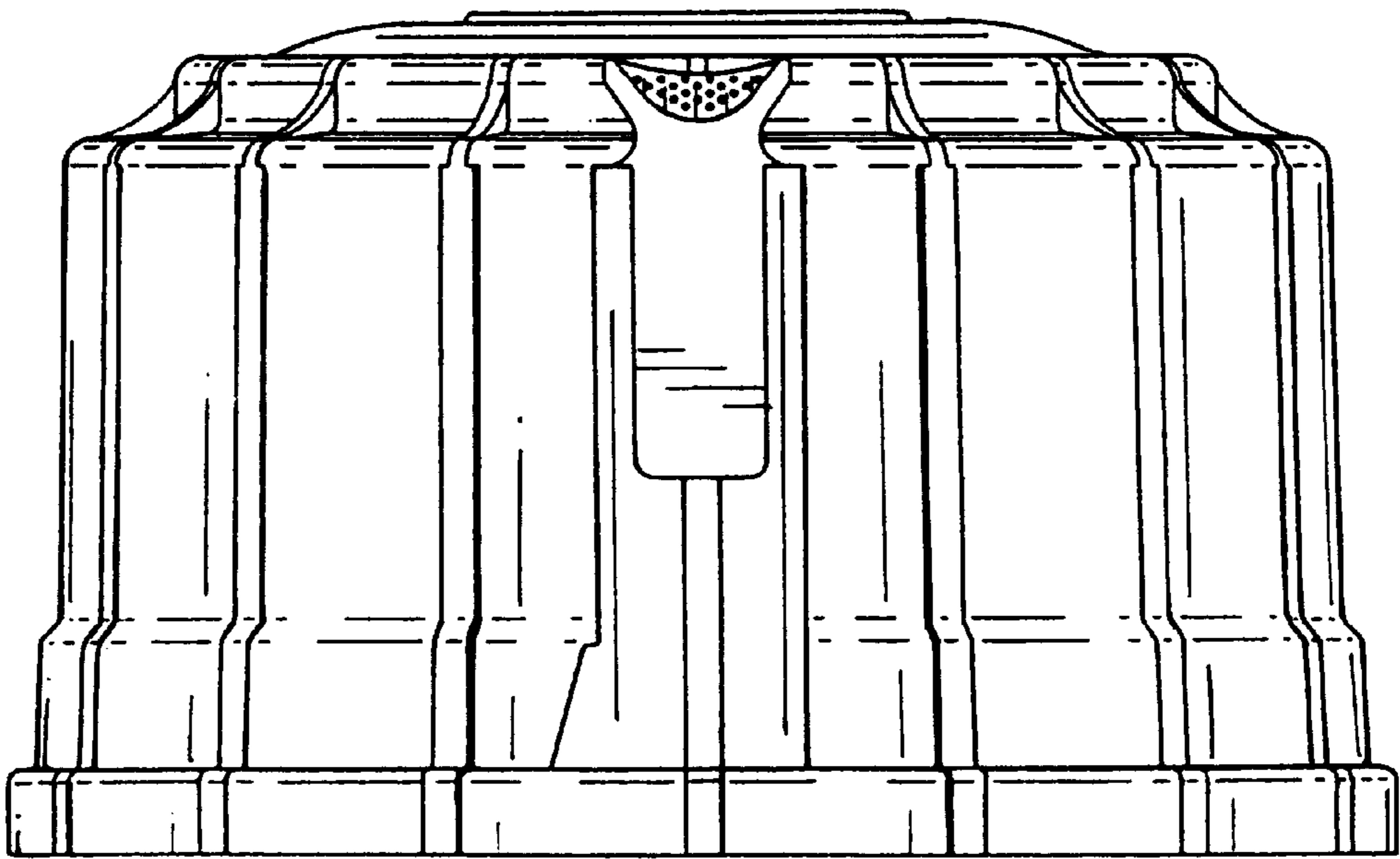


FIG. 15

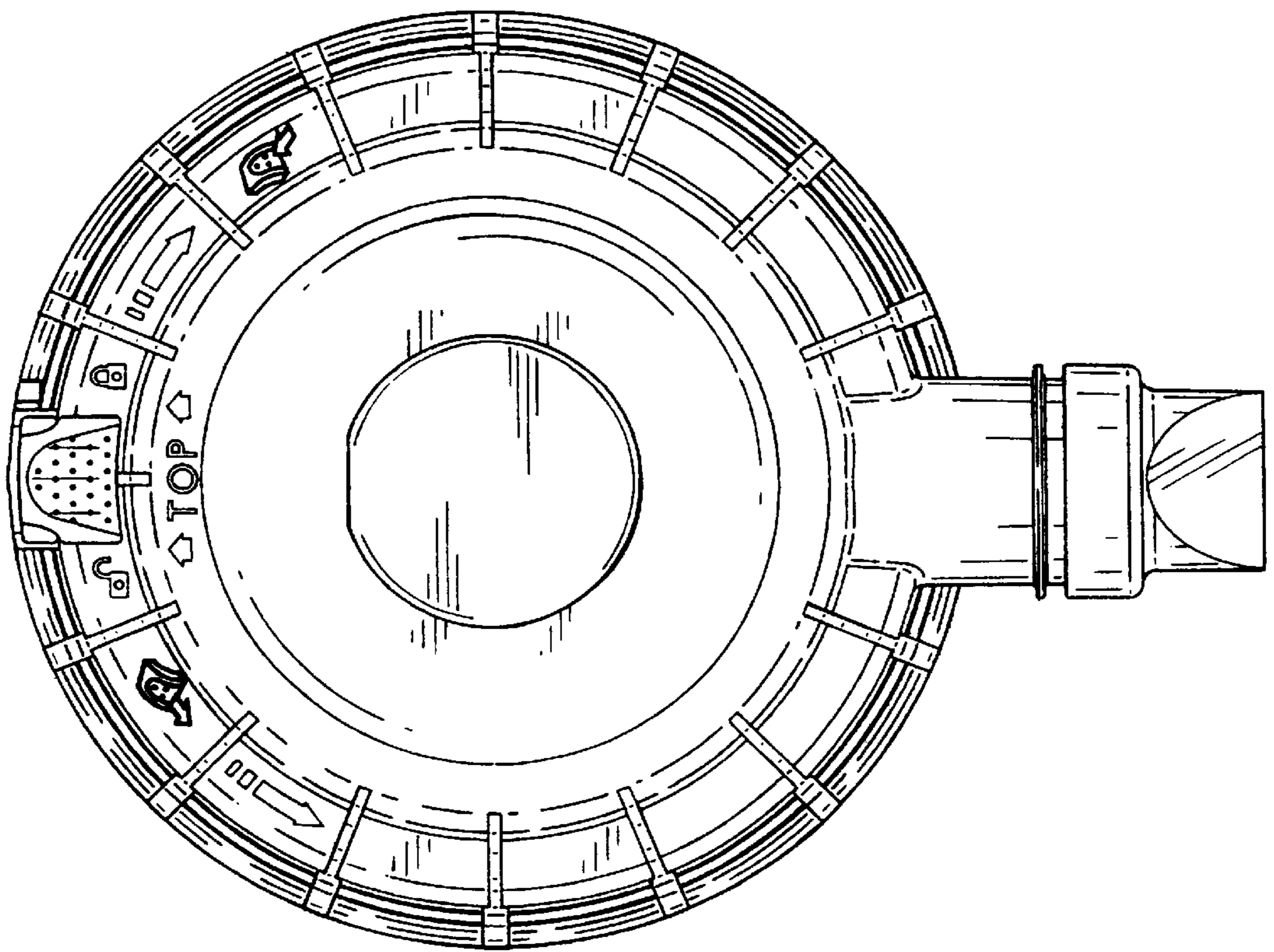


FIG. 16

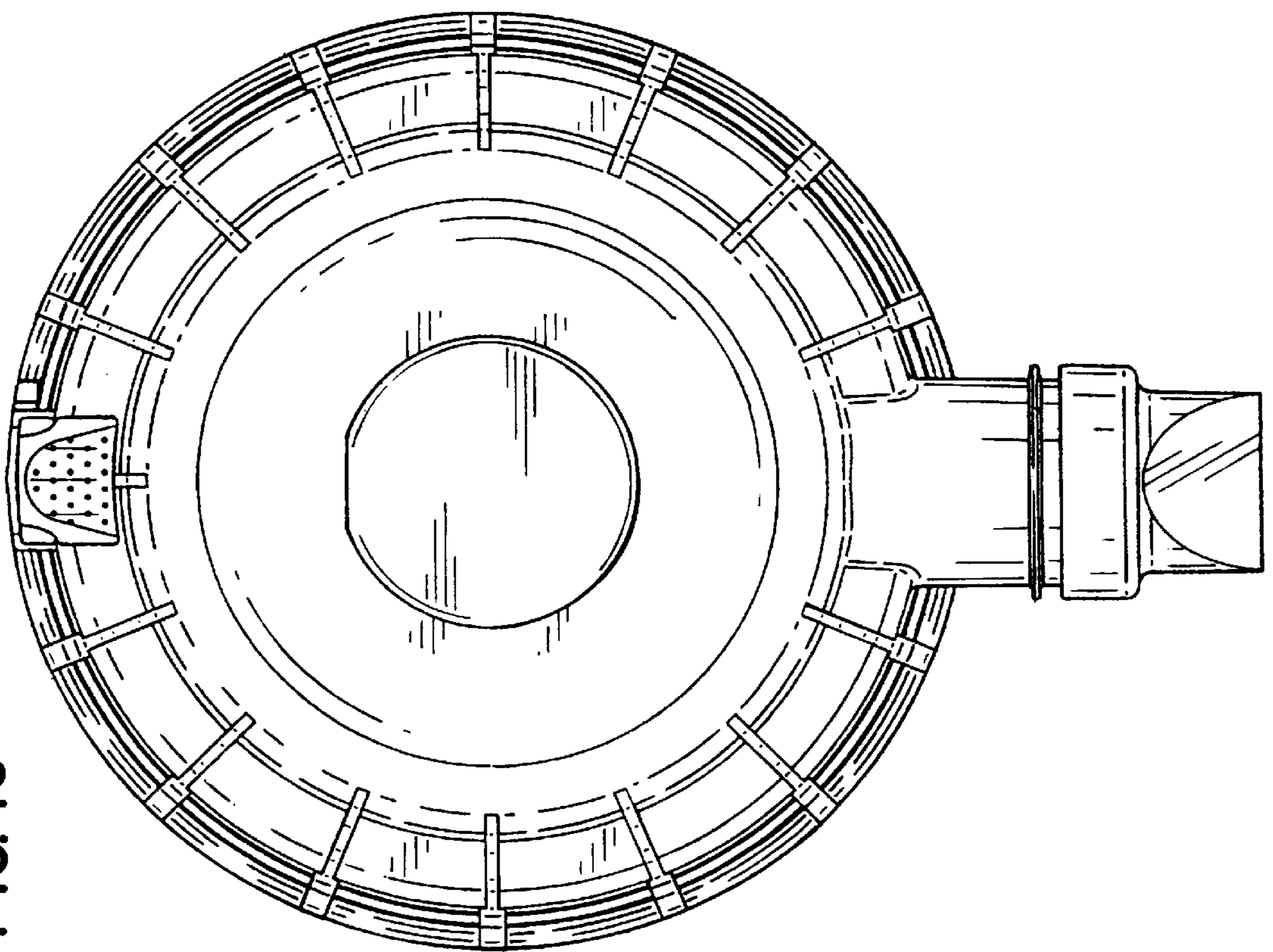
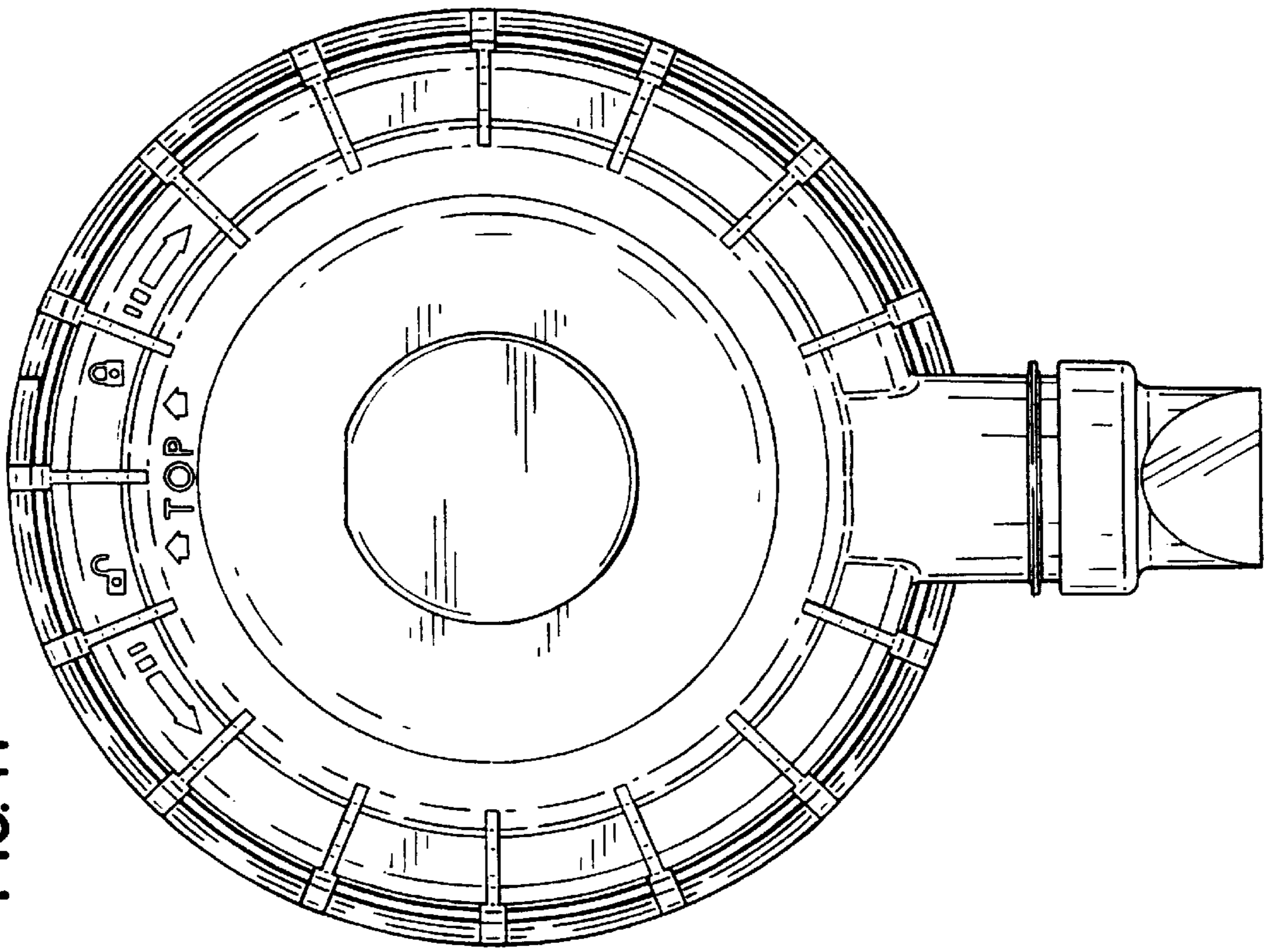


FIG. 17



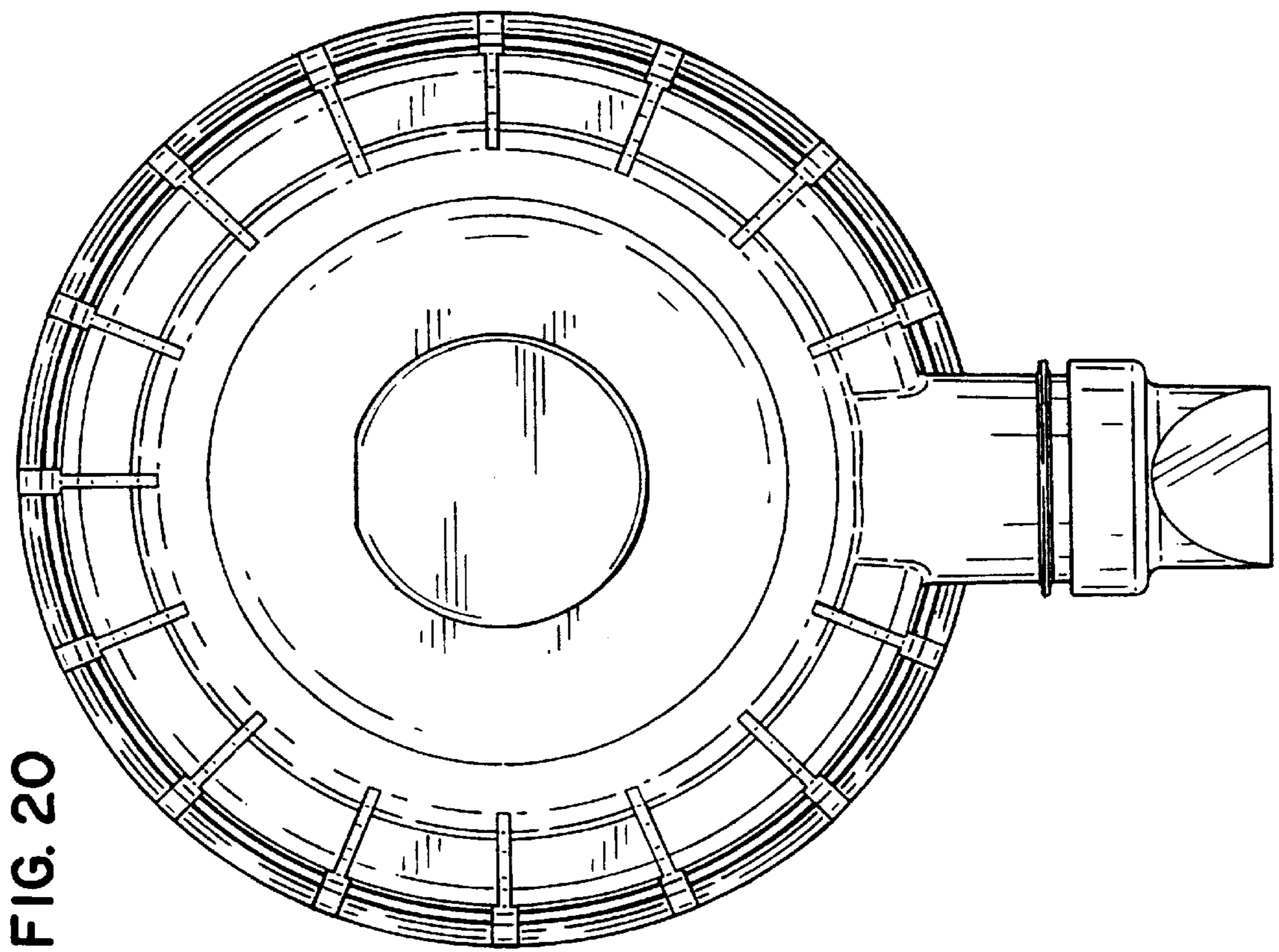


FIG. 20