



US00D412567S

United States Patent [19]

[11] Patent Number: Des. 412,567

Ward et al.

[45] Date of Patent: ** Aug. 3, 1999

[54] HOUSING FOR AN AIR CLEANER

[75] Inventors: Dennis E. Ward, Richfield; Kevin J. Schrage, Spring Valley, both of Minn.; Paul R. Coulonvaux, Brussels; Johan G. Dewit, Hamme-Mille, both of Belgium; Jeffrey J. Ivarson, San Rafael, Calif.

[73] Assignee: Donaldson Company, Inc., Minneapolis, Minn.

[**] Term: 14 Years

[21] Appl. No.: 29/076,523

[22] Filed: Sep. 12, 1997

[51] LOC (6) Cl. 23-04

[52] U.S. Cl. D23/364

[58] Field of Search D23/364; 55/498, 55/521, 510; 96/97

[56] References Cited

U.S. PATENT DOCUMENTS

4,491,460	1/1985	Tokar .
5,545,241	8/1996	Vanderauwera et al. .
5,547,480	8/1996	Coulonvaux .
5,755,842	5/1998	Patel et al. .

OTHER PUBLICATIONS

Declaration of Stan Koehler with Exhibits A-E.

Primary Examiner—Lisa Lichtenstein

Attorney, Agent, or Firm—Merchant, Gould, Smith, Edell, Welter & Schmidt, P.A.

[57] CLAIM

The ornamental design for a housing for an air cleaner, as shown and described.

DESCRIPTION

FIG. 1 is a front side elevational view of a first embodiment of a housing for an air cleaner, according to our new design, an outlet tube being shown in broken lines and not being part of the design sought to be patented;

FIG. 2 is a back side elevational view of the housing of FIG. 1, the outlet tube being shown in broken lines and not being part of the design sought to be patented;

FIG. 3 is a bottom plan view of the housing of FIG. 1, the outlet tube being shown in broken lines and not being part of the design sought to be patented;

FIG. 4 is a top plan view of the housing of FIG. 1, the outlet tube being shown in broken lines and not being part of the design sought to be patented;

FIG. 5 is a right side elevational view of the housing of FIG. 1;

FIG. 6 is a left side elevational view of the housing of FIG. 1, the outlet tube being shown in broken lines and not being part of the design sought to be patented;

FIG. 7 is a second front side elevational view of the housing according to the embodiment of FIGS. 1-6, depicting an alternate outlet tube angled from the housing and in broken lines and thus showing the outlet tube is not part of the design sought to be patented;

FIG. 8 is a right side elevational view of a first alternate embodiment to the housing of FIG. 1; the front side elevational view of the embodiment of FIG. 8 being identical to that illustrated in FIG. 1; the back side elevational view of the embodiment of FIG. 8 being identical to that illustrated in FIG. 2; the bottom plan view of the embodiment of FIG. 8 being identical to that illustrated in FIG. 3; the top plan view of the embodiment of FIG. 8 being identical to that illustrated in FIG. 4; and the left side elevational view of the embodiment of FIG. 8 being identical to that illustrated in FIG. 6; thus, the only substantial differences between the embodiment of FIG. 8 and the embodiment of FIGS. 1-6 being in the right side elevational view;

FIG. 9 is front side elevational view of a second alternate embodiment of a housing for an air cleaner, the outlet tube being shown in broken lines and not being part of the design sought to be patented;

FIG. 10 is a back side elevational view of the housing of FIG. 9, the outlet tube being shown in broken lines and not being part of the design sought to be patented;

FIG. 11 is a bottom plan view of the housing of FIG. 9, the outlet tube being shown in broken lines and not being part of the design sought to be patented;

FIG. 12 is a top plan view of the housing of FIG. 9, the outlet tube being shown in broken lines and not being part of the design sought to be patented;

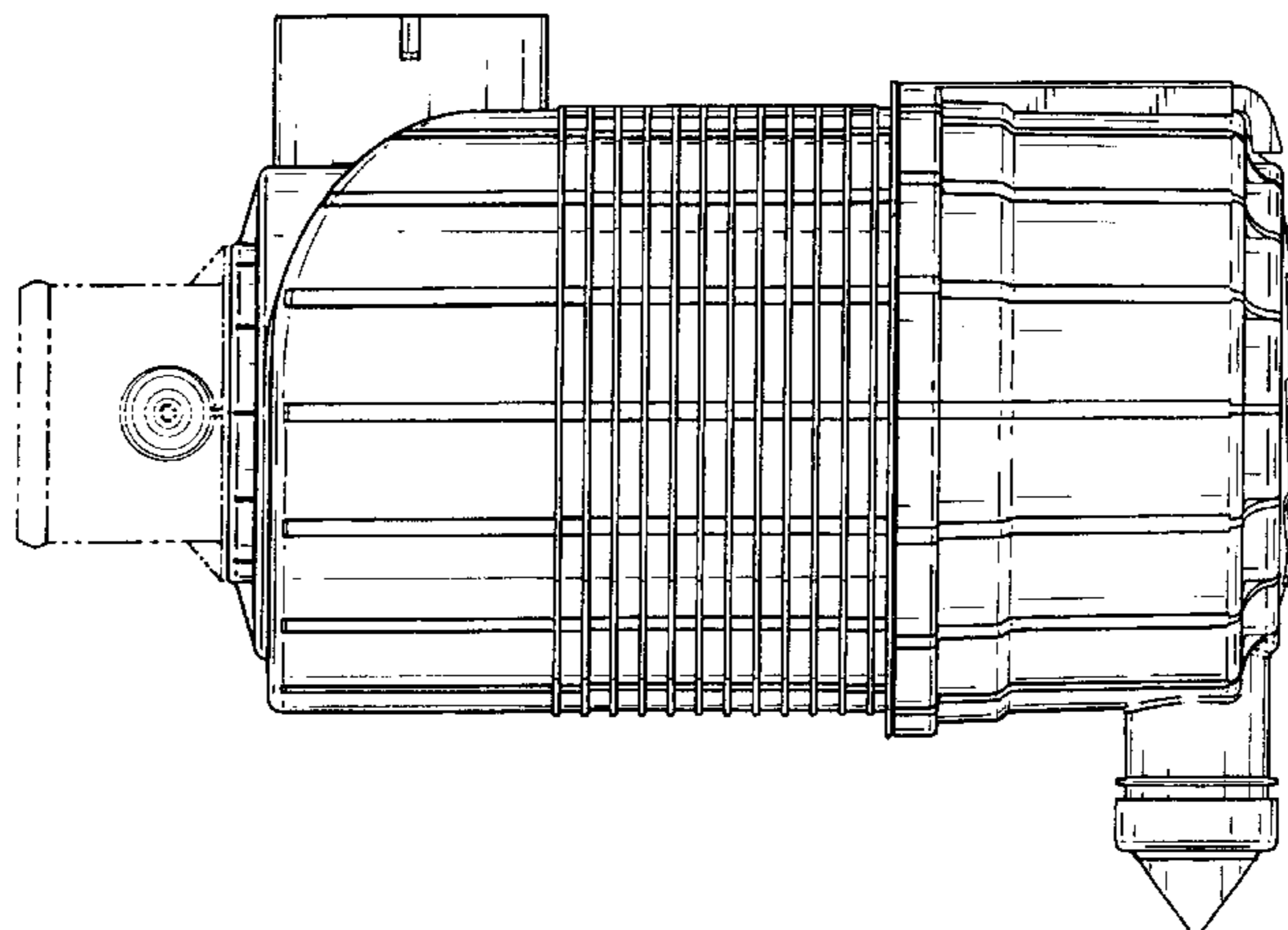


FIG. 13 is a right side elevational view of the housing of FIG. 9;

FIG. 14 is a left side elevational view of the housing of FIG. 9, the outlet tube being shown in broken lines and not being part of the design sought to be patented; the view of FIG. 14 being identical to the view of FIG. 6;

FIG. 15 is a second front side elevational view of the embodiment of FIGS. 9-14 according to the present invention, depicting an alternate outlet tube in broken lines and thus showing that the outlet tube is not a portion of the invention;

FIG. 16 is a third alternate embodiment showing a right side elevational view of the housing, the front side elevational of the embodiment of FIG. 16 being identical to FIG. 9; the back side elevational view of the embodiment of FIG. 16 being identical to FIG. 10; the bottom plan view of the embodiment of FIG. 16 being identical to FIG. 11; the top plan view of the embodiment of FIG. 16 being identical to FIG. 12; and the left side elevational view of the embodiment of FIG. 16 being identical to FIG. 14; thus, the embodiment of FIG. 16 differing from the embodiment of FIGS. 1-6 and the embodiment of FIGS. 9-14 only substantially with respect to the right side elevational view;

FIG. 17 is a front side elevational view of a fourth embodiment of a housing for an air cleaner, according to the present invention; the outlet tube being shown in broken lines and not being part of the design sought to be patented;

FIG. 18 is a back side elevational view of the housing of FIG. 17, the outlet tube being shown in broken lines and not being part of the design sought to be patented;

FIG. 19 is a bottom plan view of the housing of FIG. 17, the outlet tube being shown in broken lines and not being a part of the design sought to be patented;

FIG. 20 is a top plan view of the housing of FIG. 17, the outlet tube being shown in broken lines and not being part of the design sought to be patented;

FIG. 21 is a right side elevational view of the housing of FIG. 17;

FIG. 22 is a left side elevational view of the housing of FIG. 17, the outlet tube being shown in broken lines and not being part of the design sought to be patented;

FIG. 23 is a second front side elevational view of the embodiment of the housing shown in FIGS. 17-22 according to the present invention, depicting an alternate outlet tube in broken lines and thus showing that it is not a part of the design sought to be patented;

FIG. 24 is a right side elevational view of a fifth alternative embodiment; the front side elevational view of the embodiment of FIG. 24 being identical to FIG. 17; the back side elevational view of the embodiment of FIG. 24 being identical to FIG. 18; the bottom plan view of the embodiment of FIG. 24 being identical to FIG. 19; the top plan view of the embodiment of FIG. 24 being identical to FIG. 20; and the left side elevational view of the embodiment of FIG. 24 being identical to FIG. 22; thus, the embodiment of FIG. 24 differing from the embodiment of FIGS. 17-22 only substantially with respect to the right side elevational view;

FIG. 25 is a front side elevational view of a sixth alternative embodiment of a housing for an air cleaner according to the present invention, the outlet tube being shown in broken lines and not being part of the design sought to be patented; FIG. 26 is a back side elevational view of the housing of FIG. 25, the outlet tube being shown in broken lines and not being part of the design sought to be patented;

FIG. 27 is a bottom plan view of the housing of FIG. 25, the outlet tube being shown in broken lines and not being part of the design sought to be patented;

FIG. 28 is a top plan view of the housing of FIG. 25, the outlet tube being shown in broken lines and not being part of the design sought to be patented;

FIG. 29 is a right side elevational view of the housing of FIG. 25;

FIG. 30 is a left side elevational view of the housing of FIG. 25, the outlet tube being shown in broken lines and not being part of the design sought to be patented;

FIG. 31 is a second front side elevational view of the housing according to FIGS. 25-30 depicting an alternate outlet tube in broken lines; thus indicating that the outlet tube is not part of the invention; and,

FIG. 32 is a view of a seventh embodiment shown from an alternate right side elevational view; the front side elevational view of the embodiment of FIG. 32 being identical to FIG. 25; the back side elevational view of the embodiment of FIG. 32 being identical to FIG. 26; the bottom plan view of the embodiment of FIG. 32 being identical to FIG. 27; the top plan view of the embodiment of FIG. 32 being identical to FIG. 28; and the left side elevational view of the embodiment of FIG. 32 being identical to FIG. 30; thus, the embodiment of FIG. 32 differing from the embodiment of FIGS. 25-30 only substantially with respect to the right side elevational view.

1 Claim, 32 Drawing Sheets

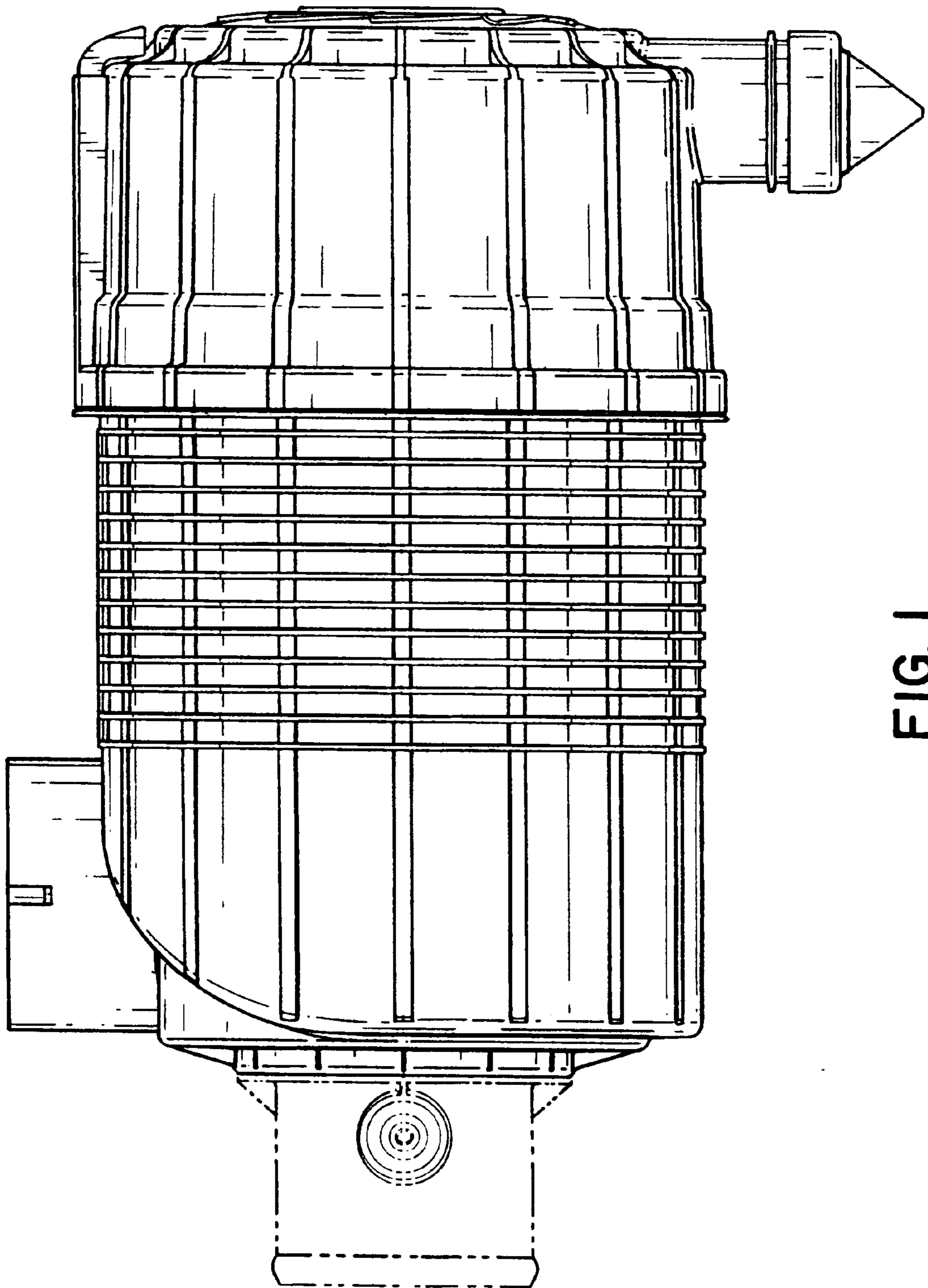


FIG. 1

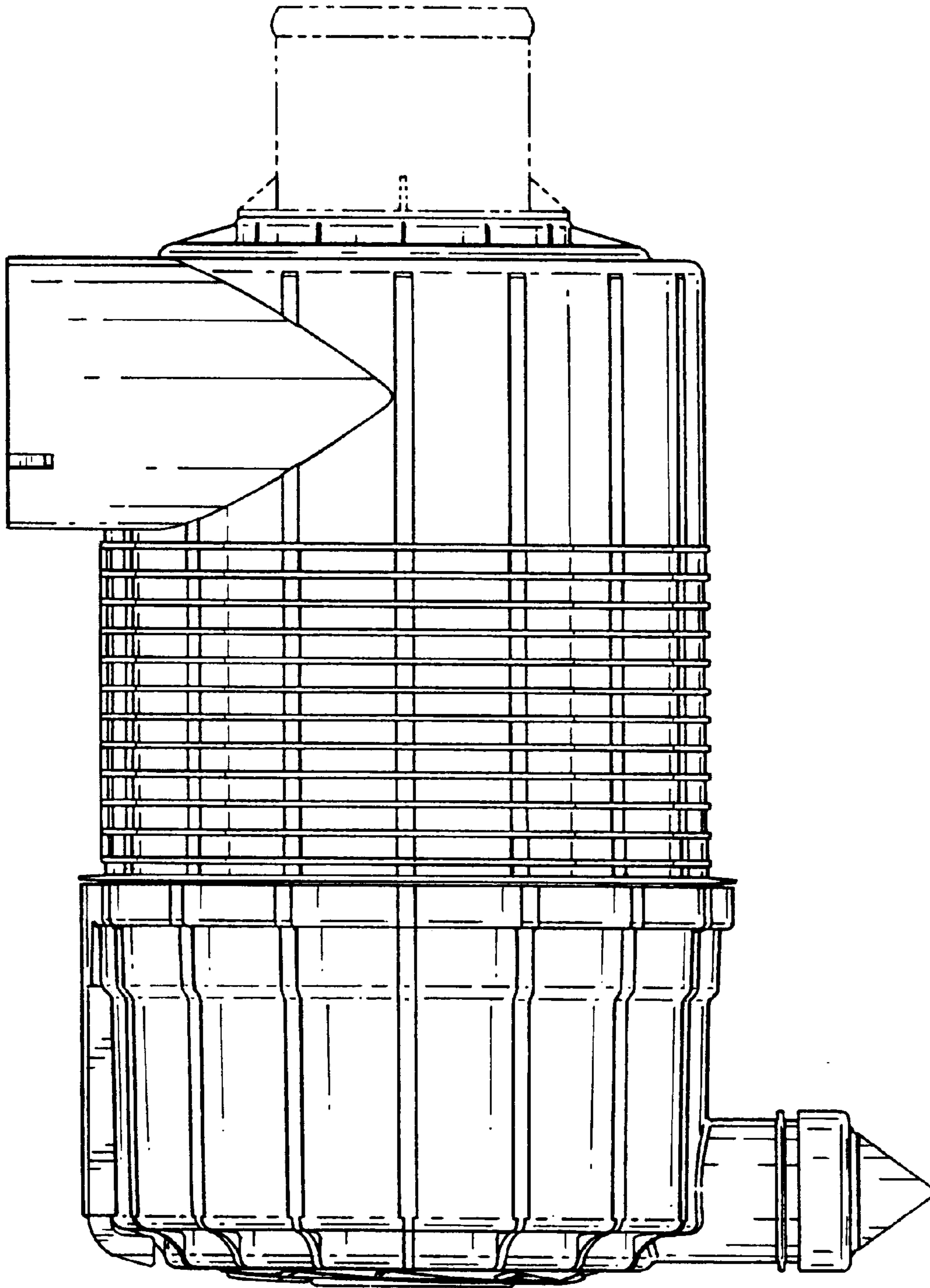


FIG. 2

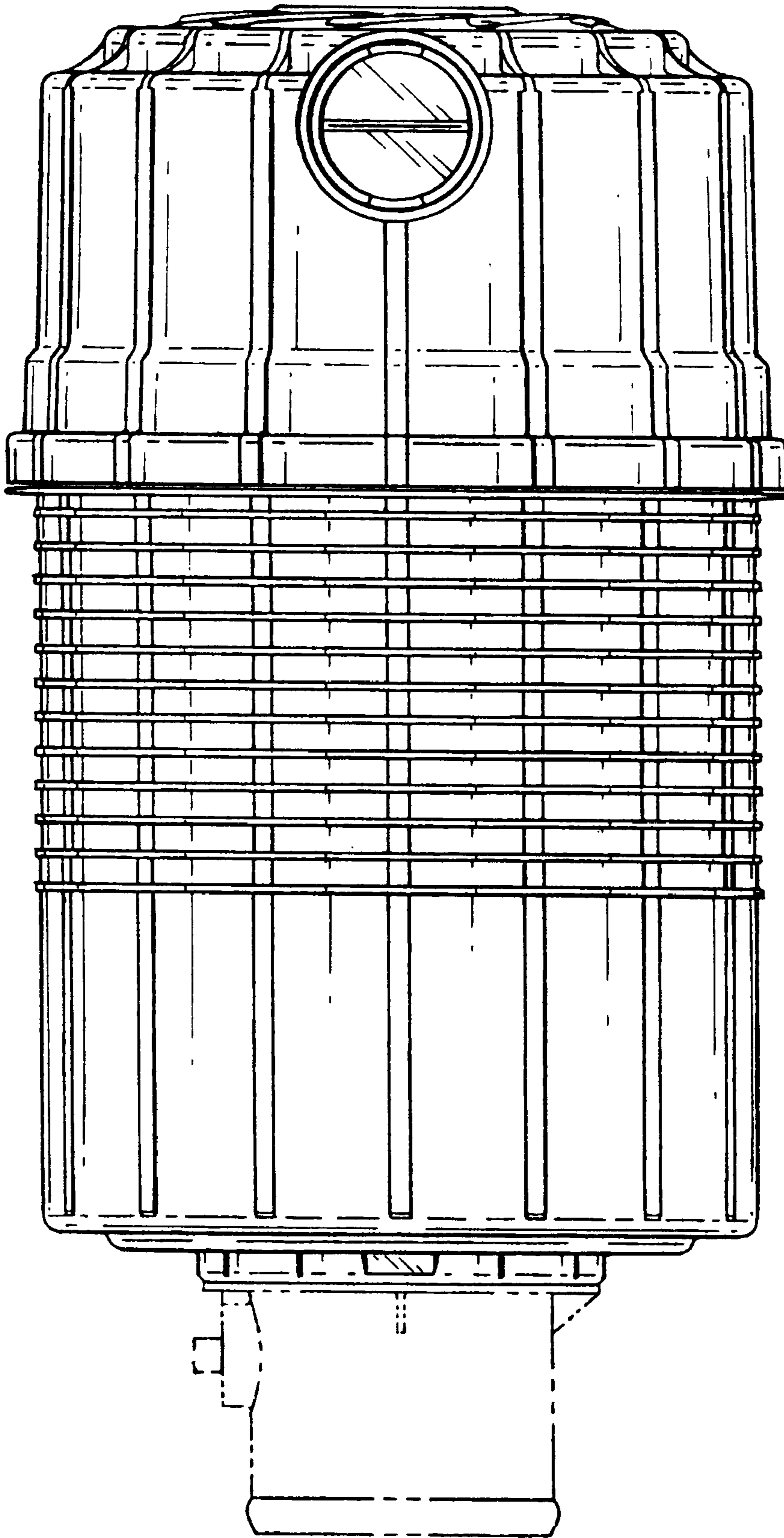


FIG. 3

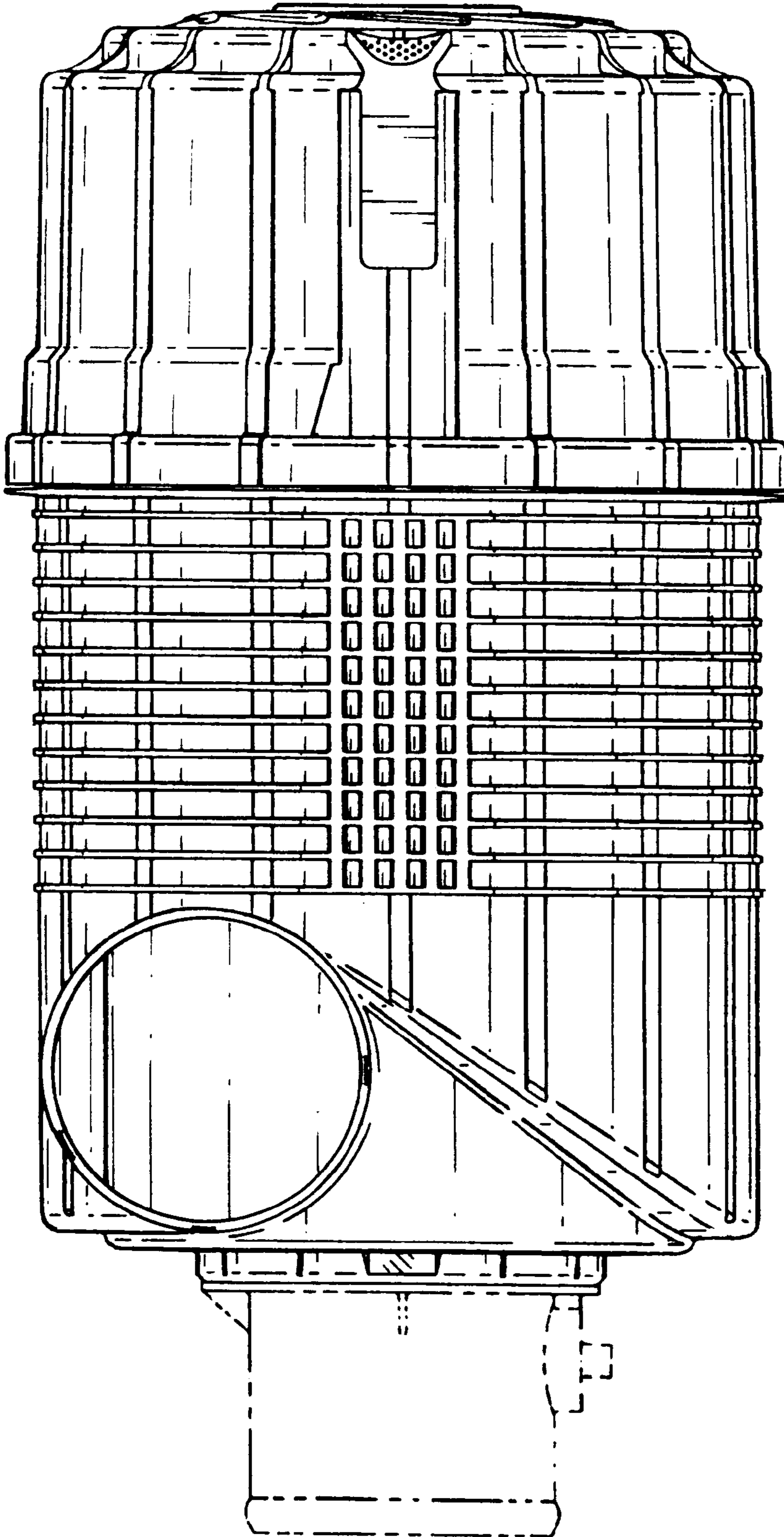


FIG. 4

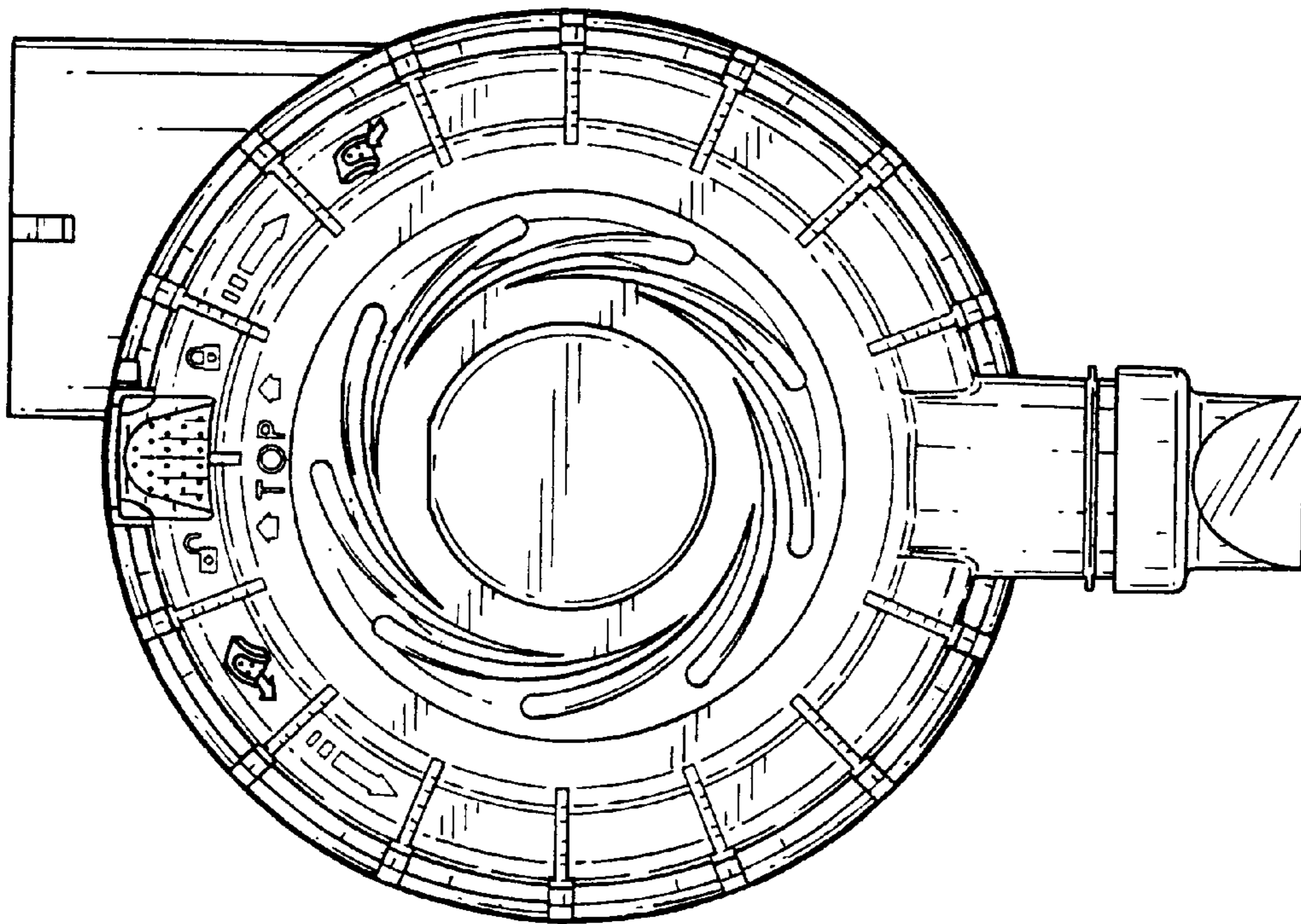


FIG. 5

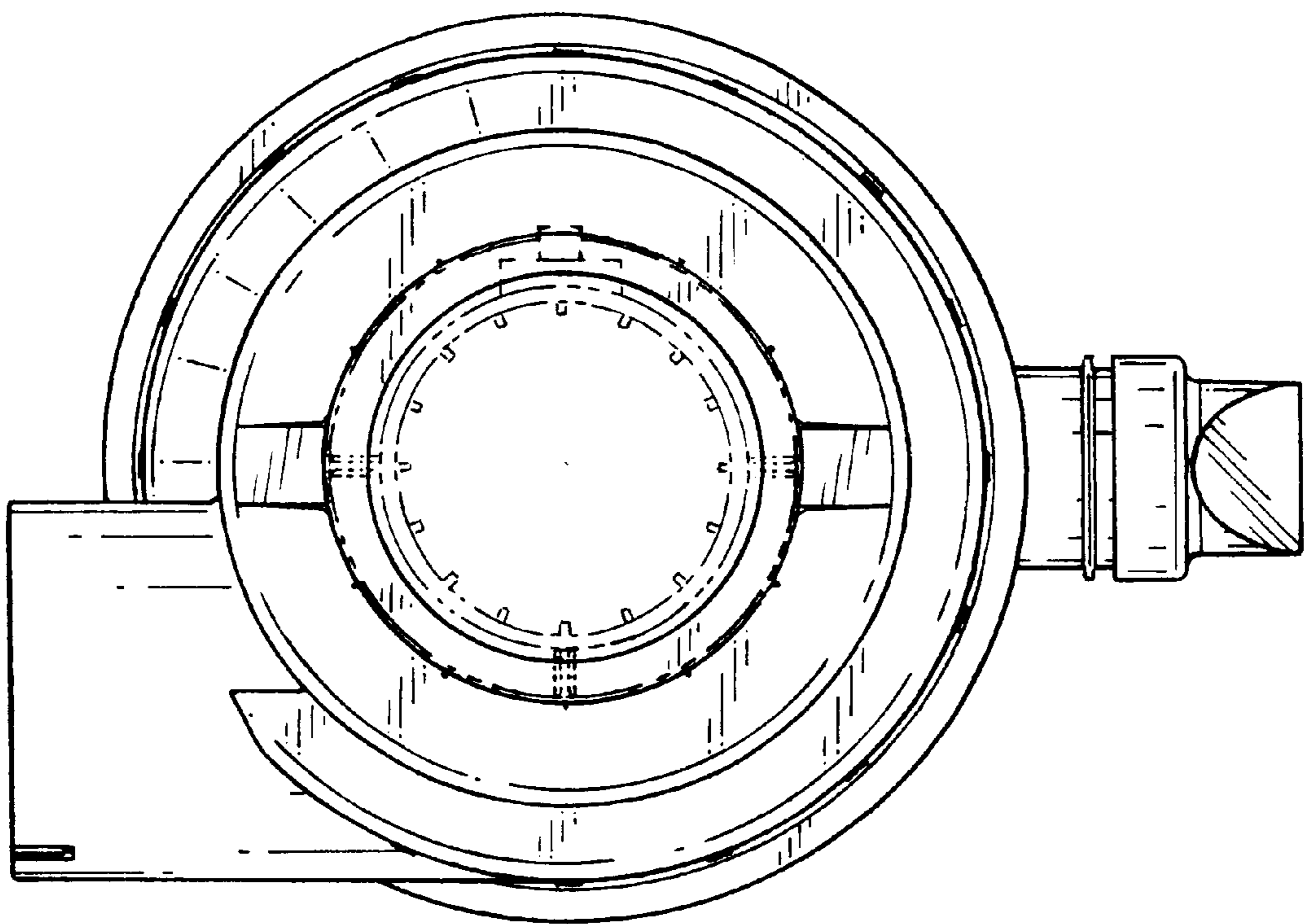


FIG. 6

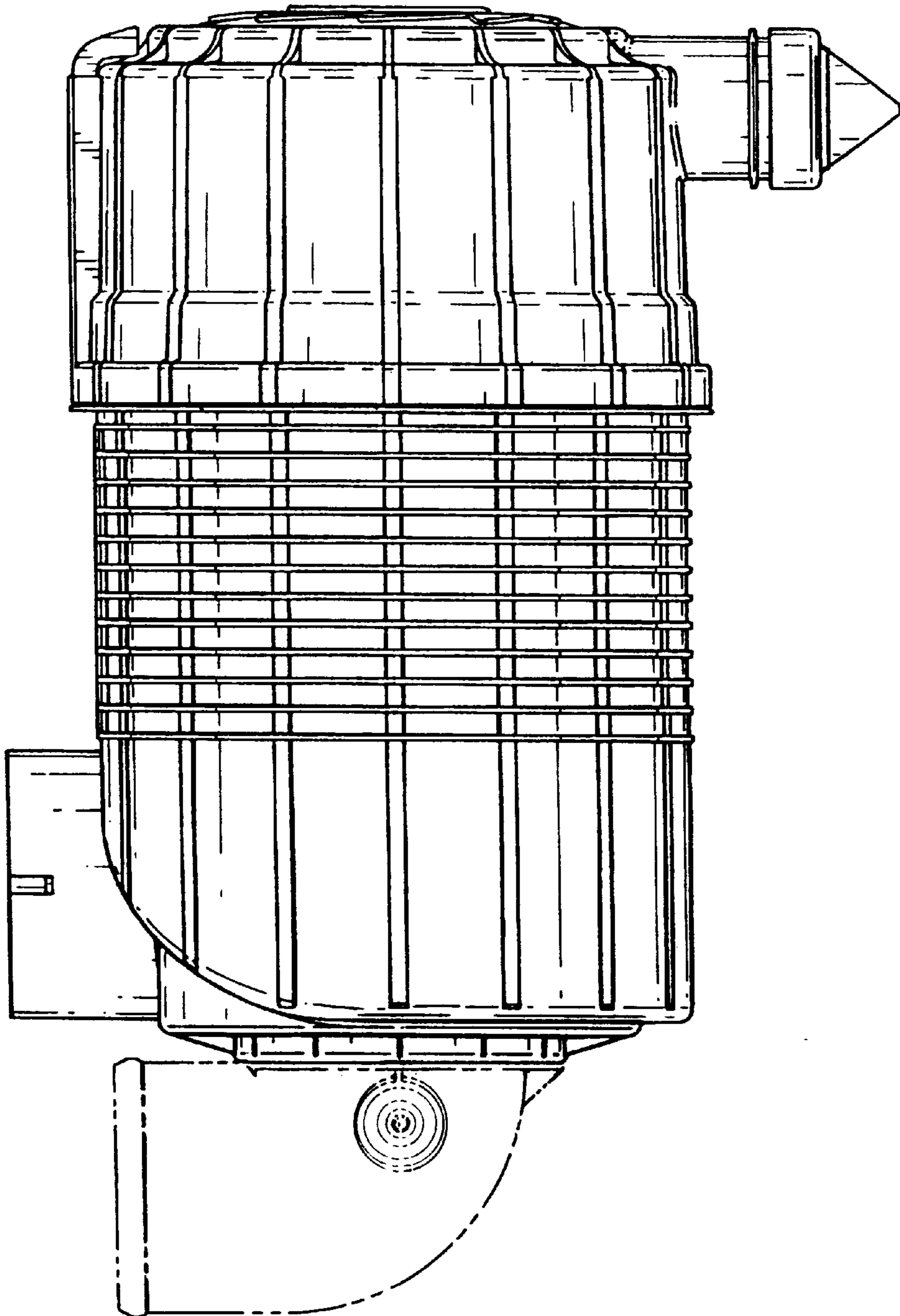


FIG. 7

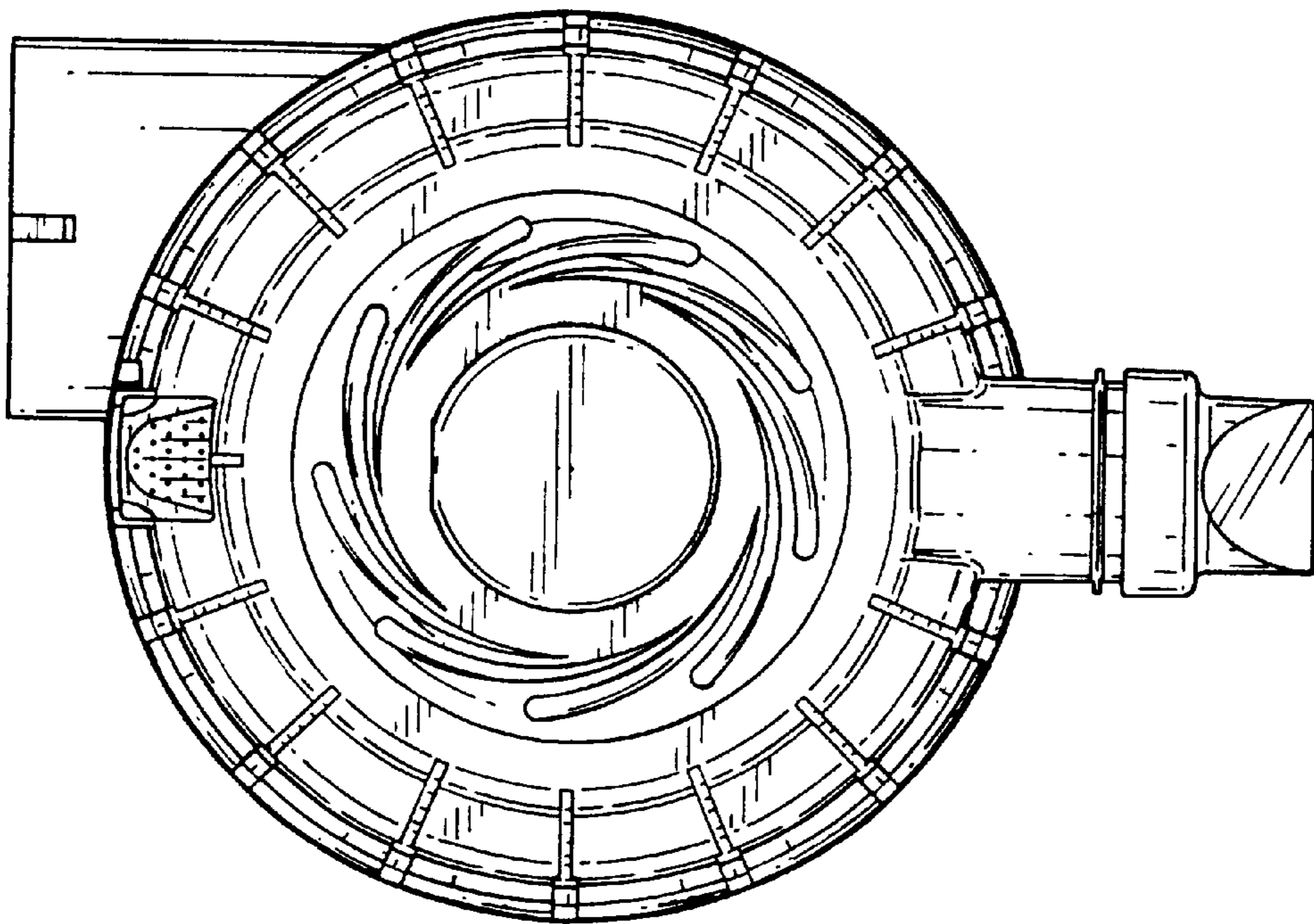


FIG. 8

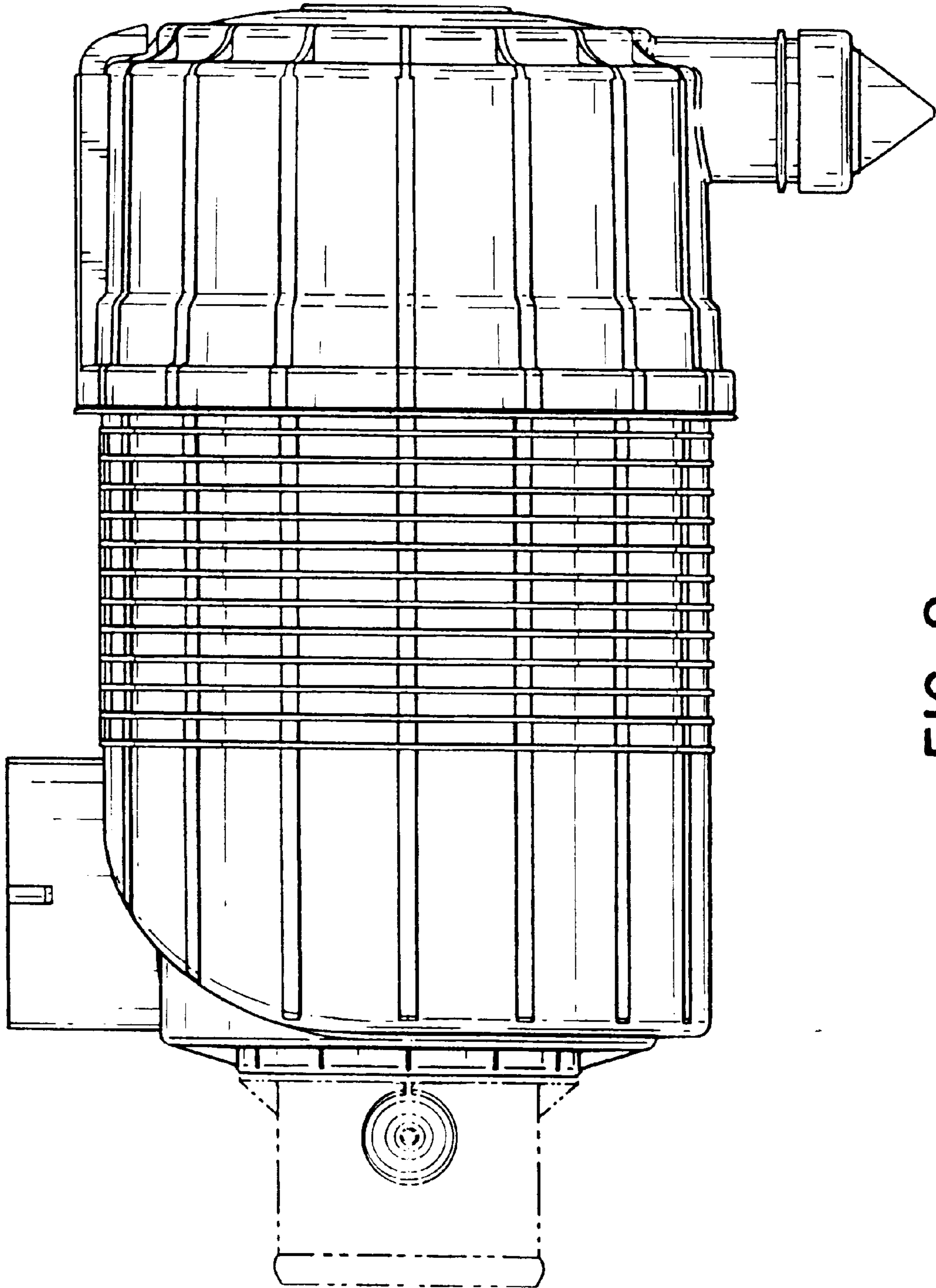


FIG. 9

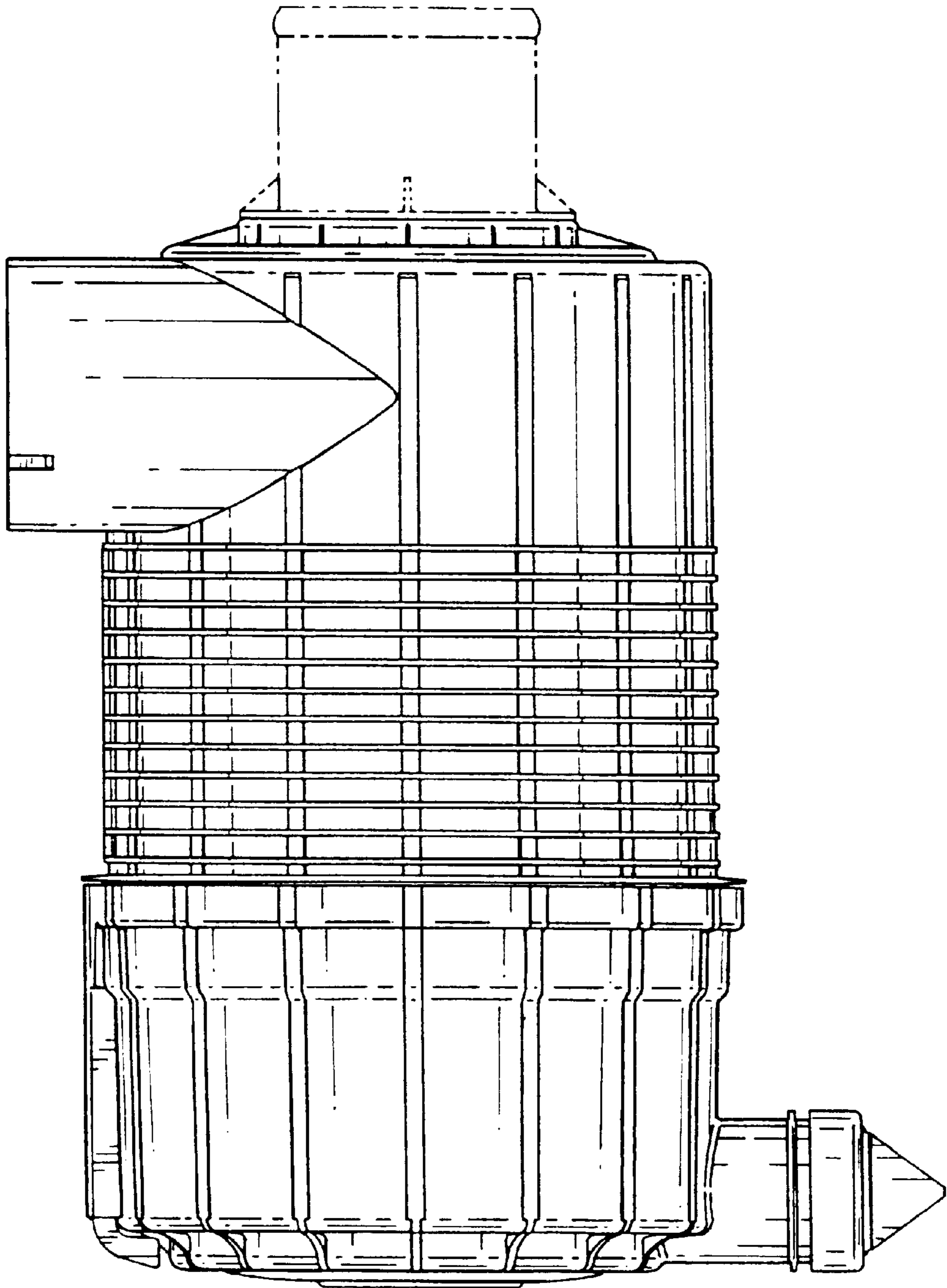


FIG. 10

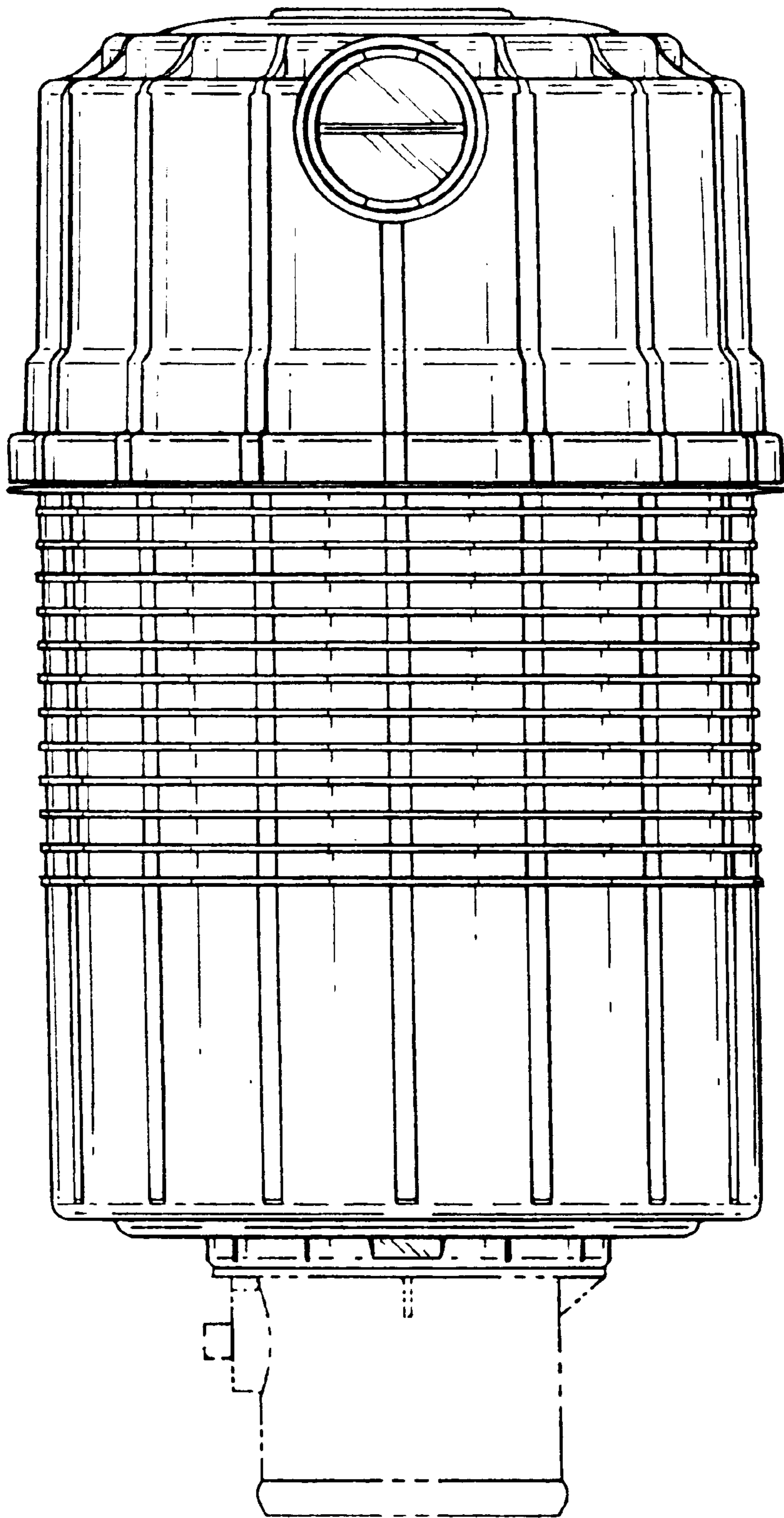


FIG. 11

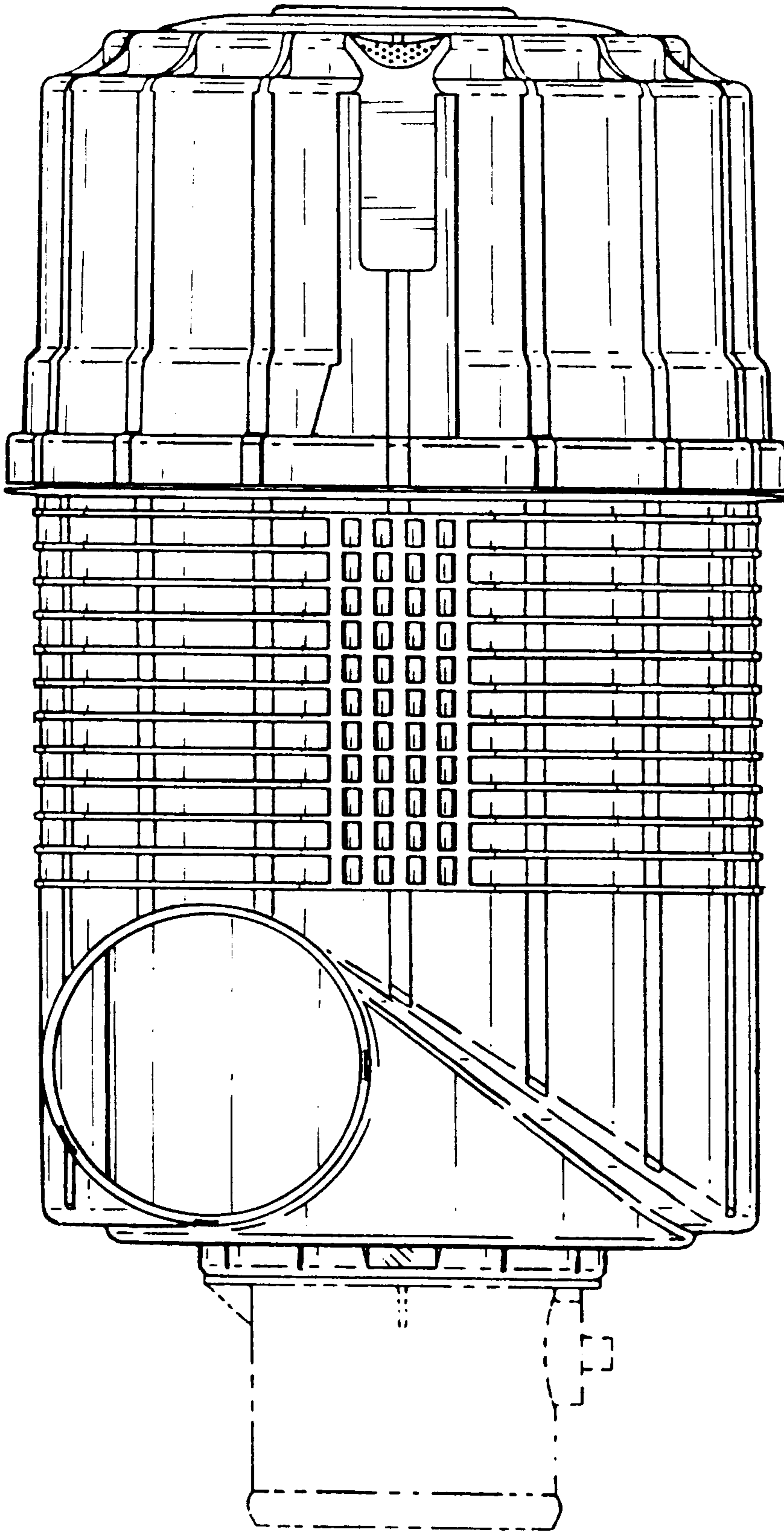


FIG. 12

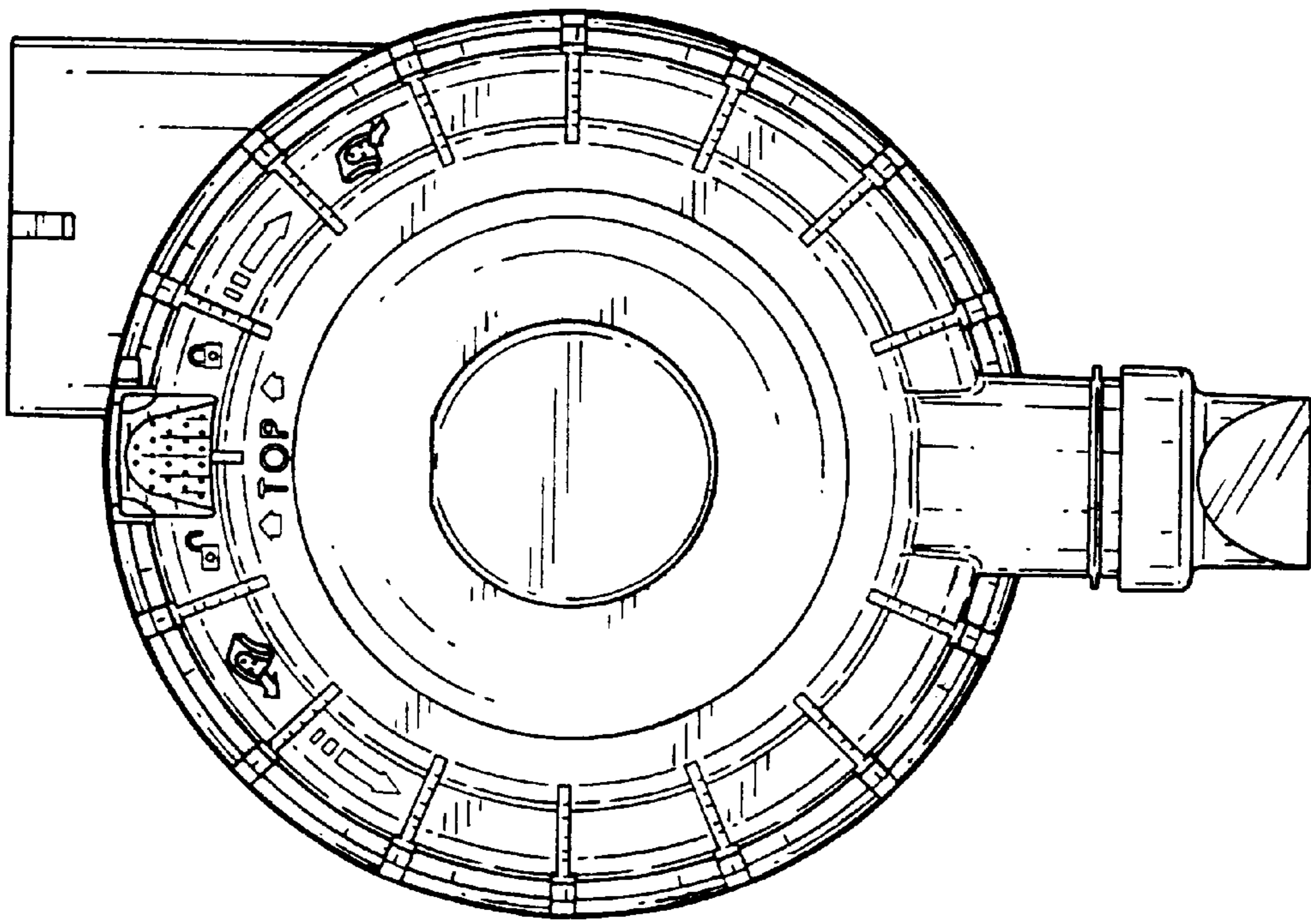


FIG. 13

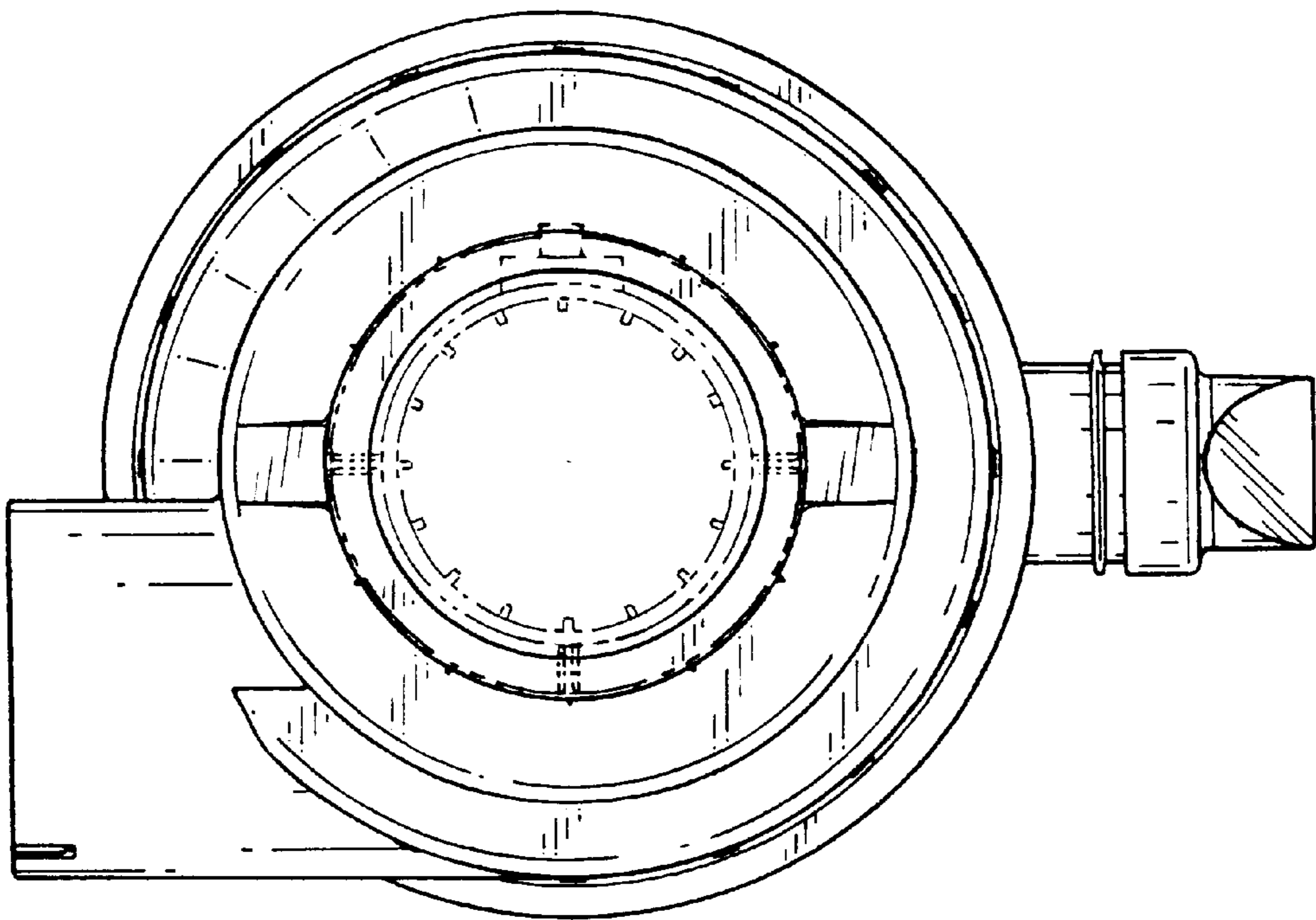


FIG. 14

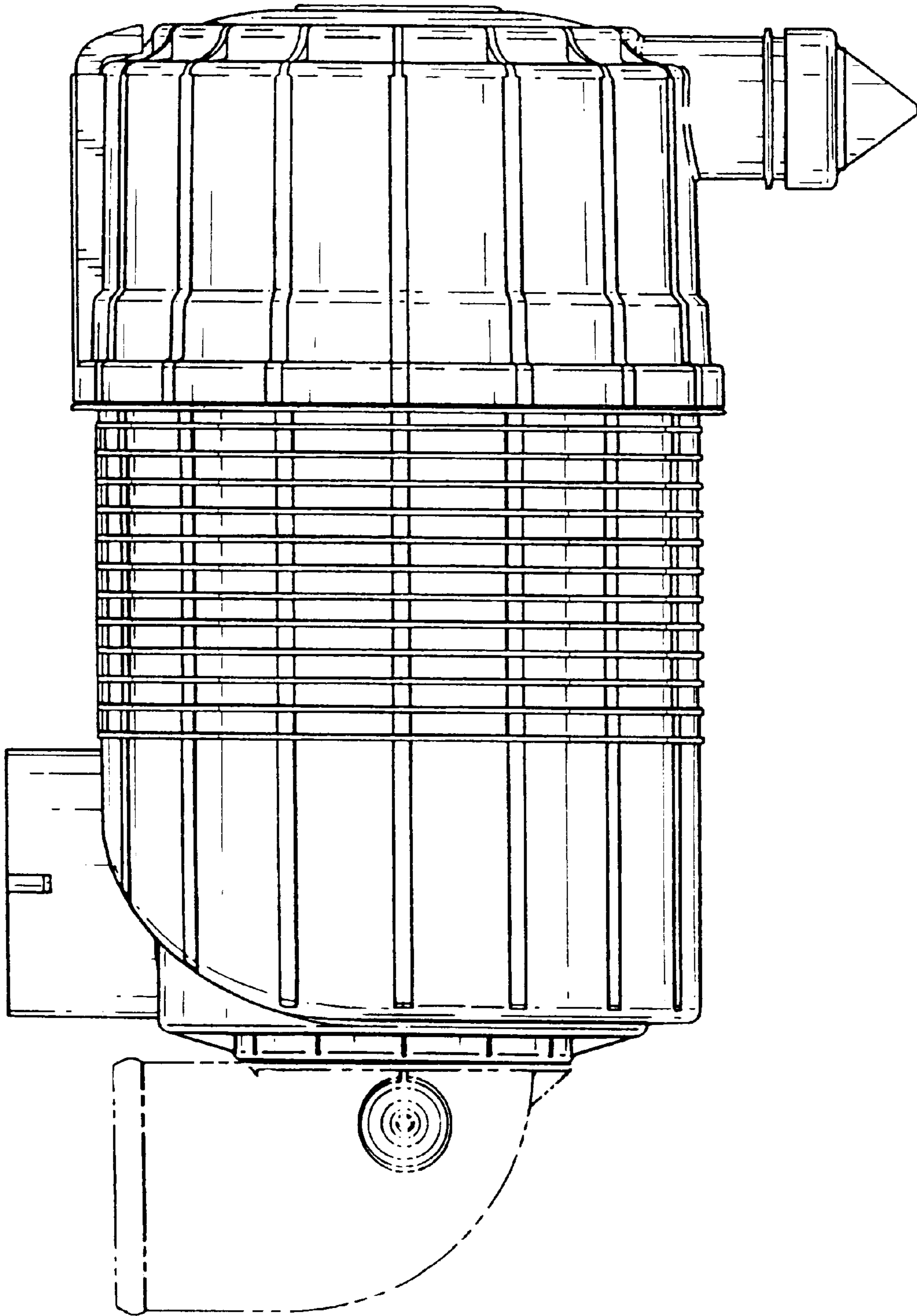


FIG. 15

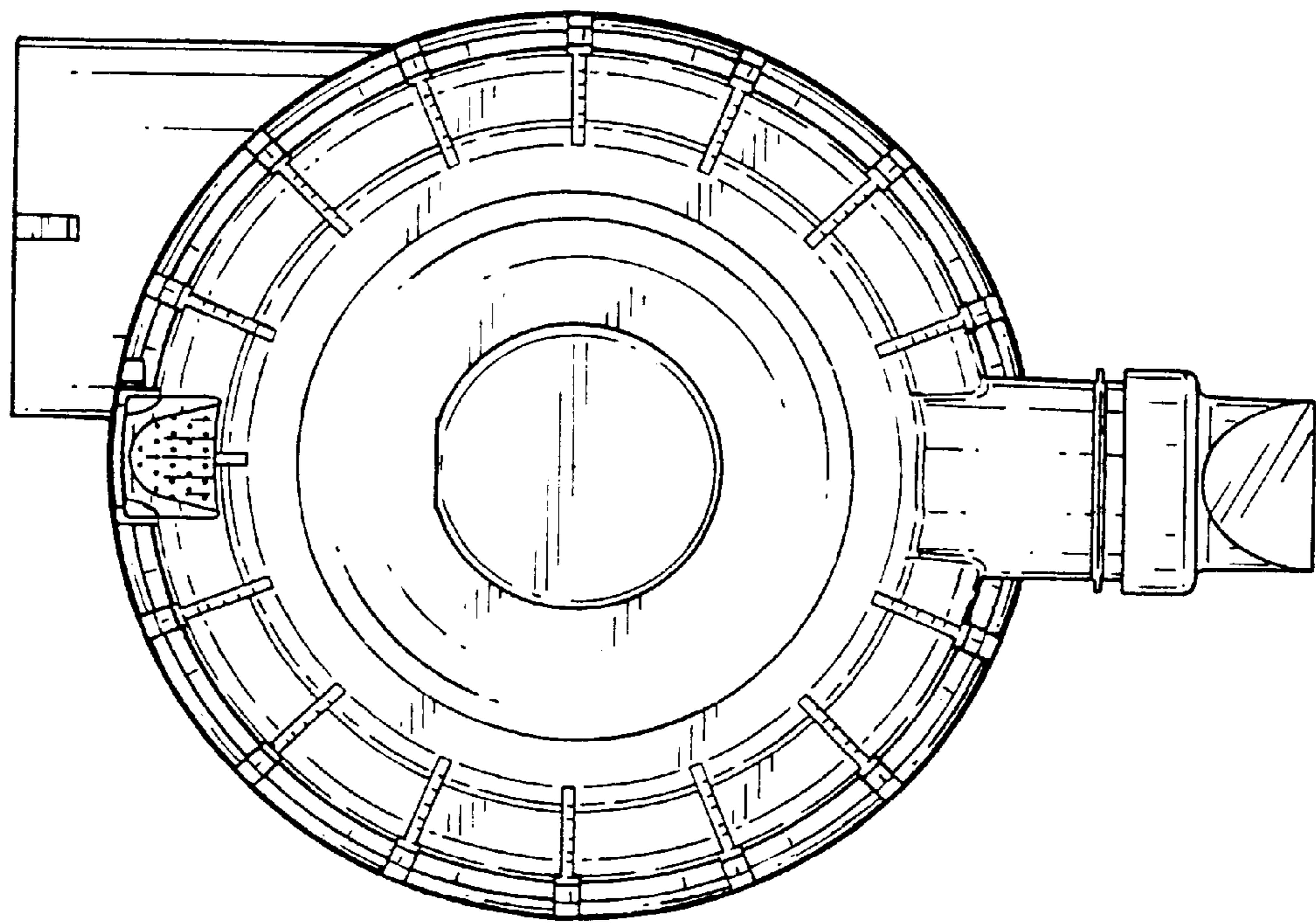


FIG. 16

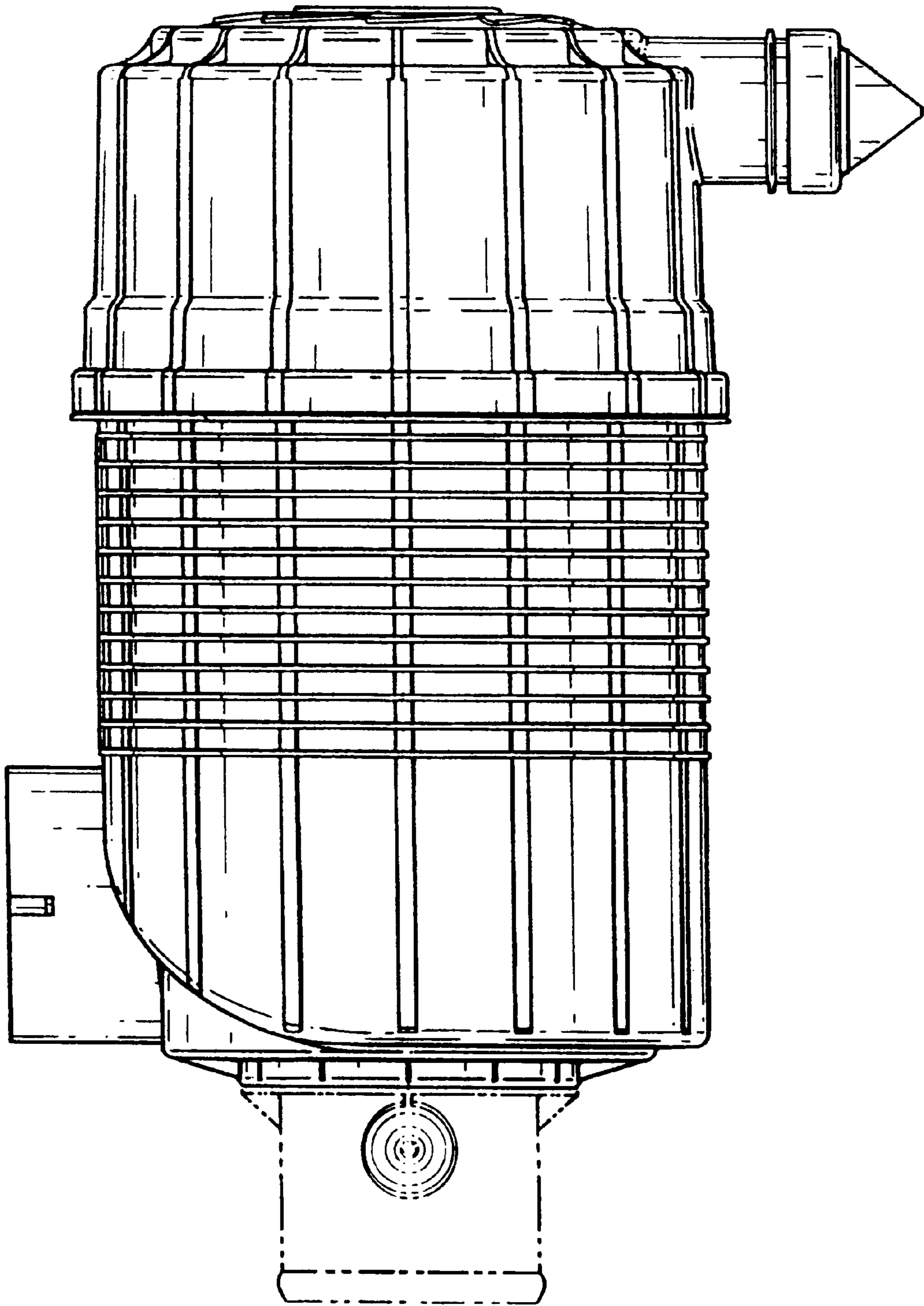


FIG. 17

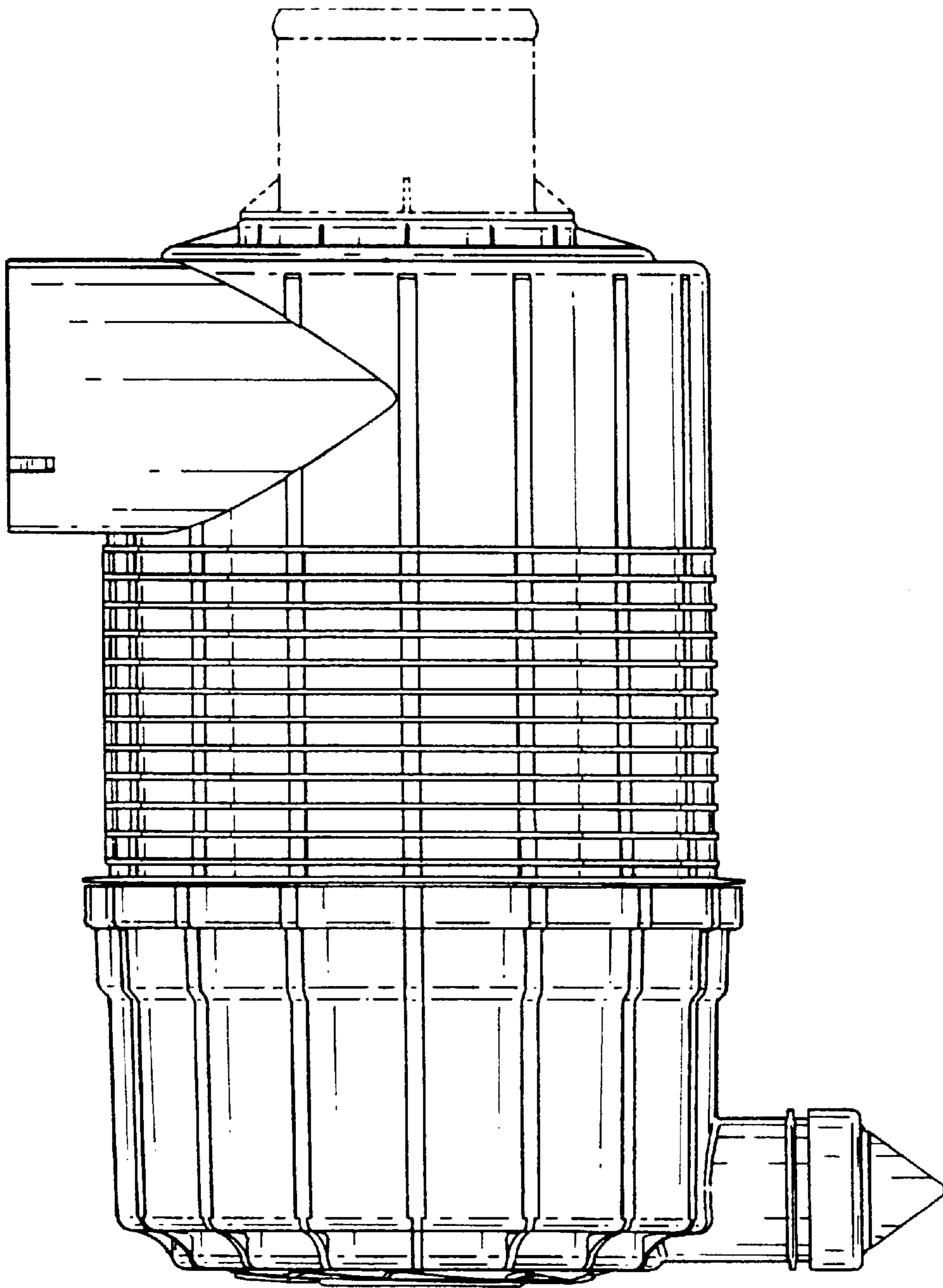


FIG. 18

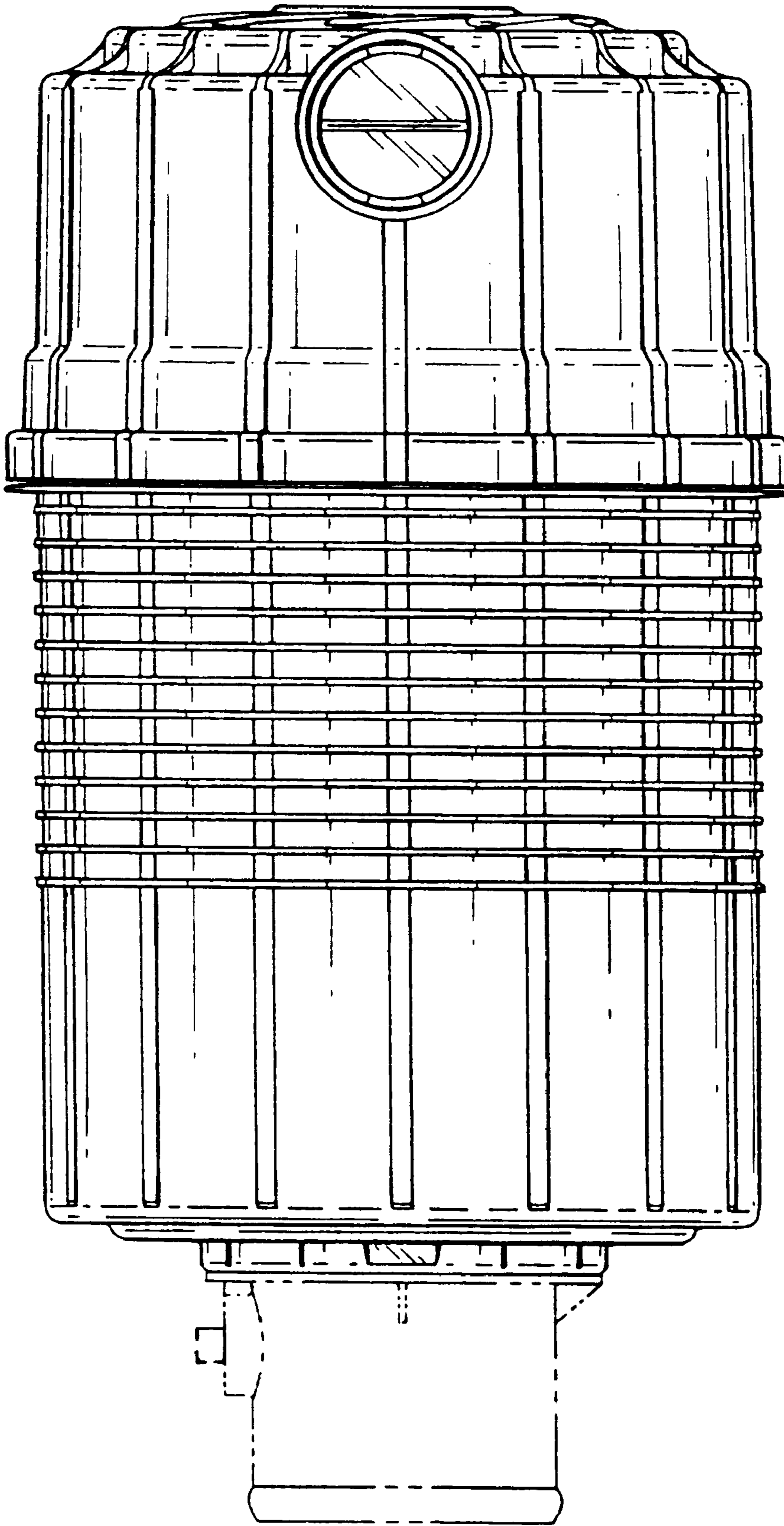


FIG. 19

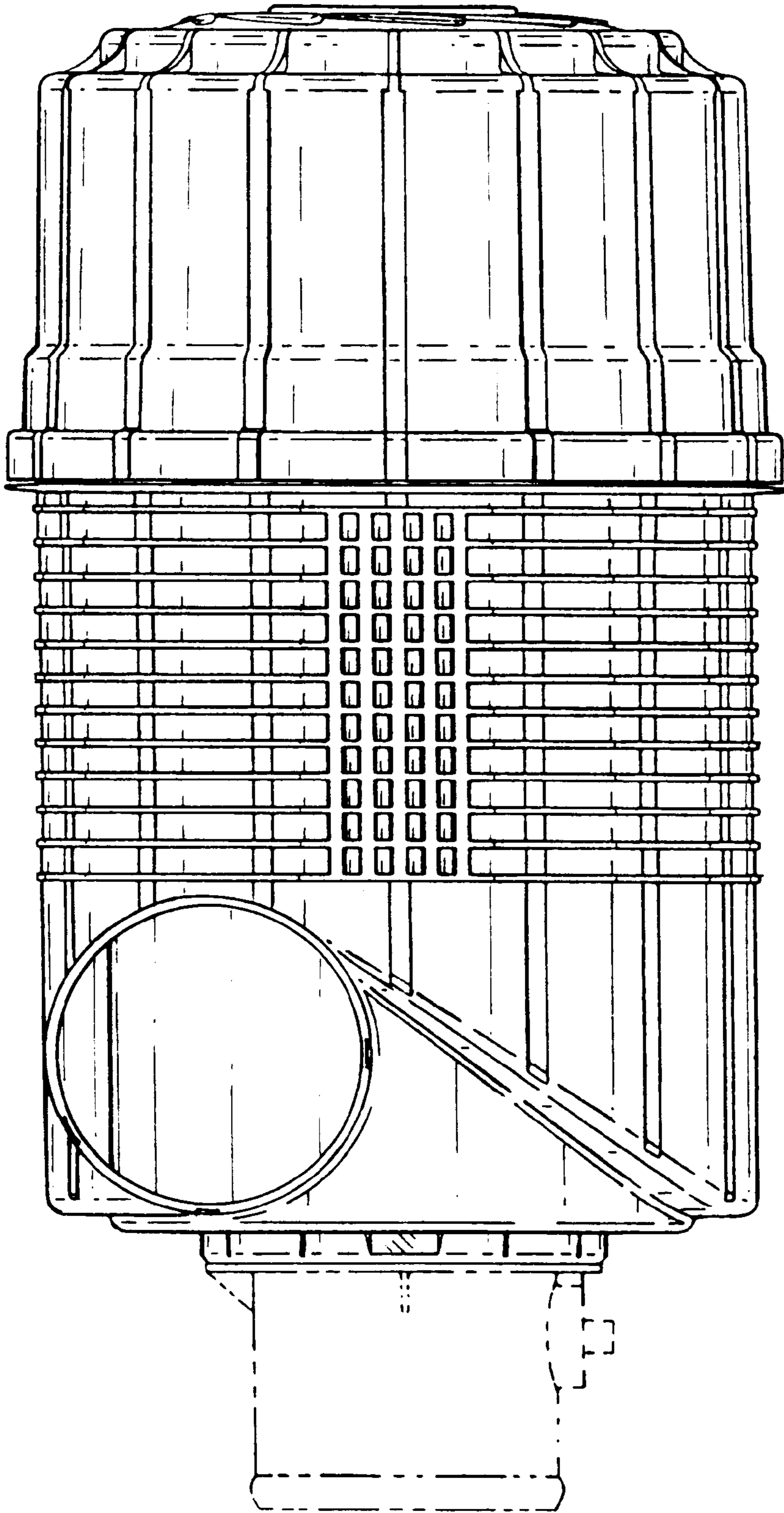


FIG. 20

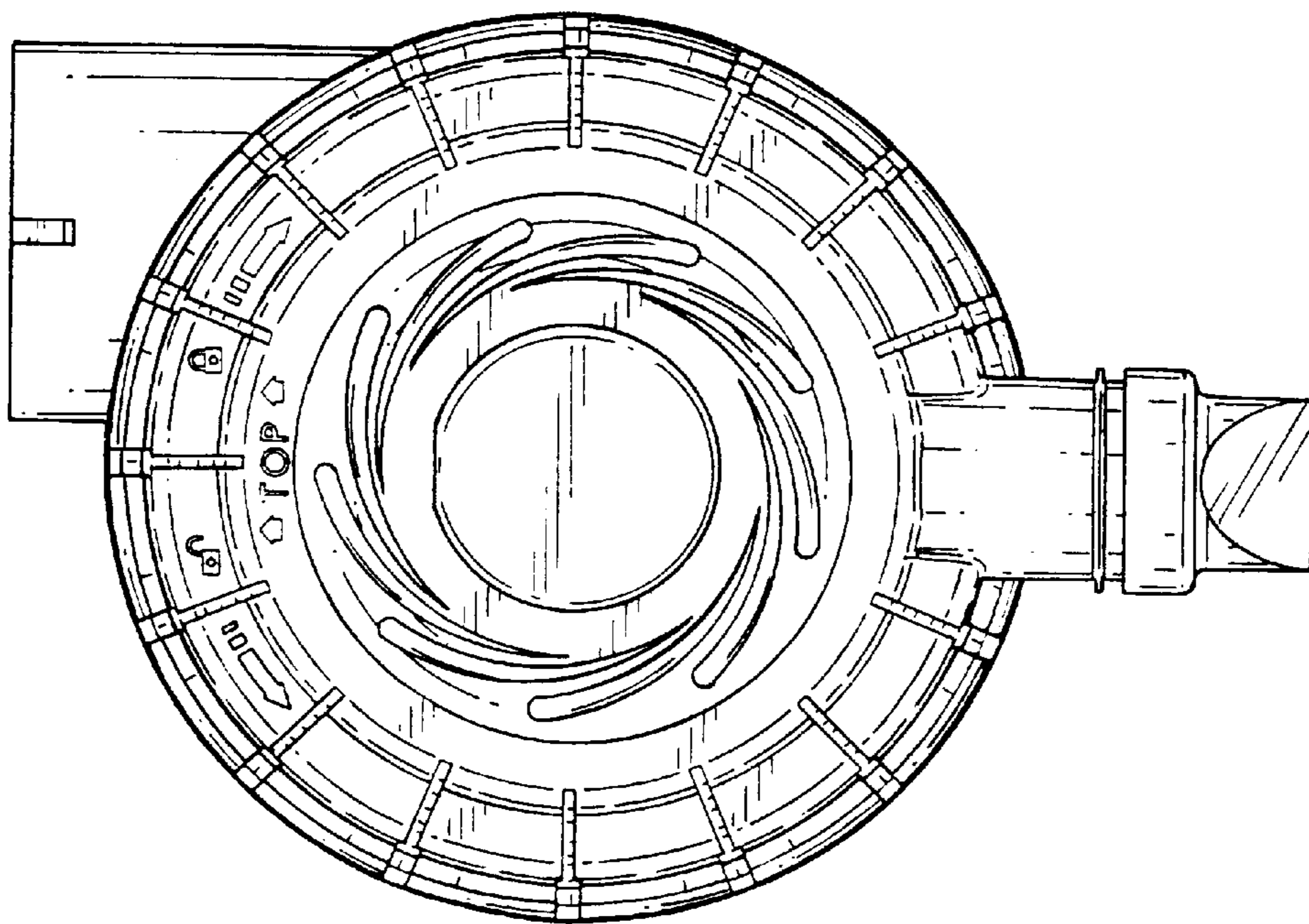


FIG. 21

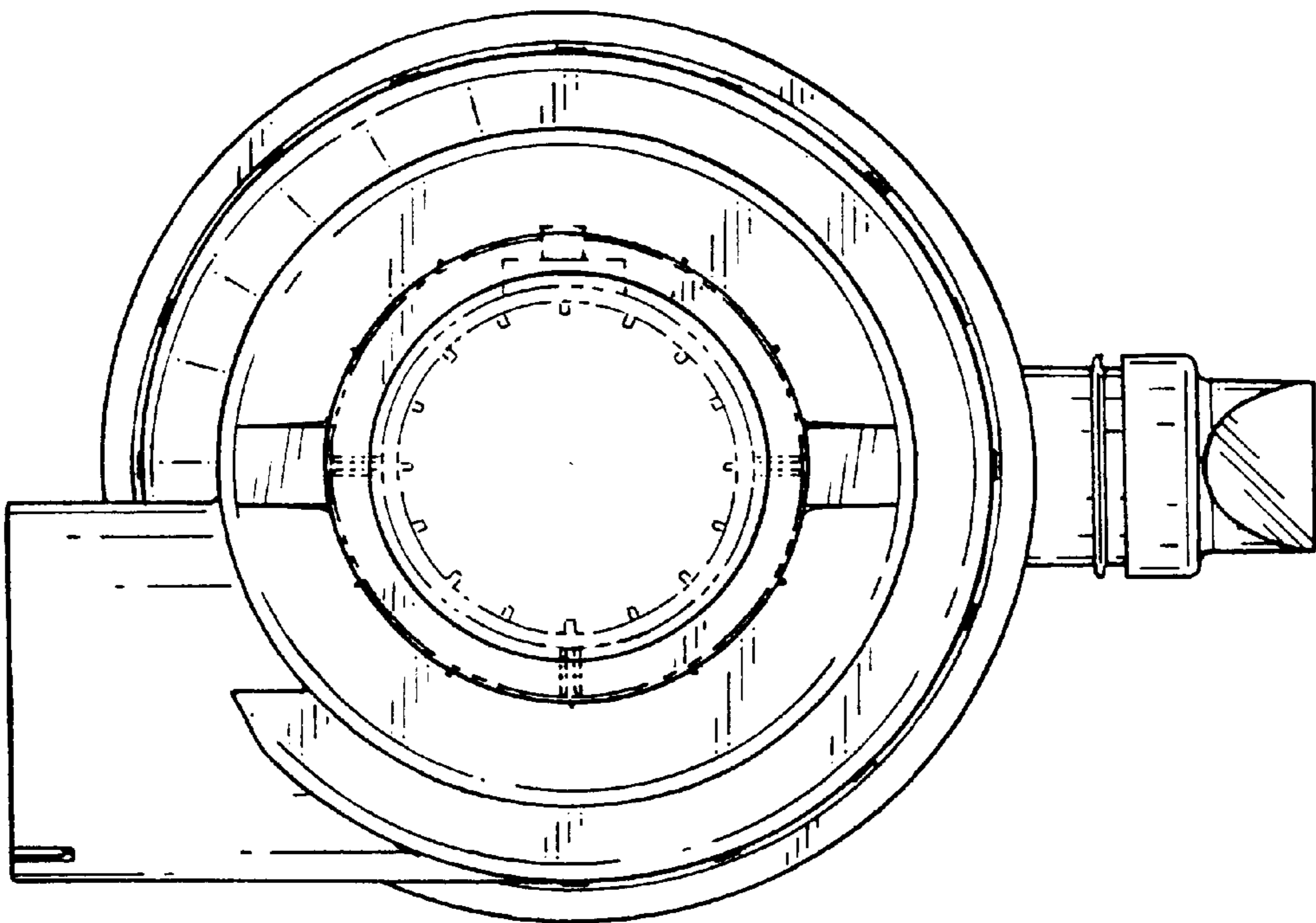


FIG. 22

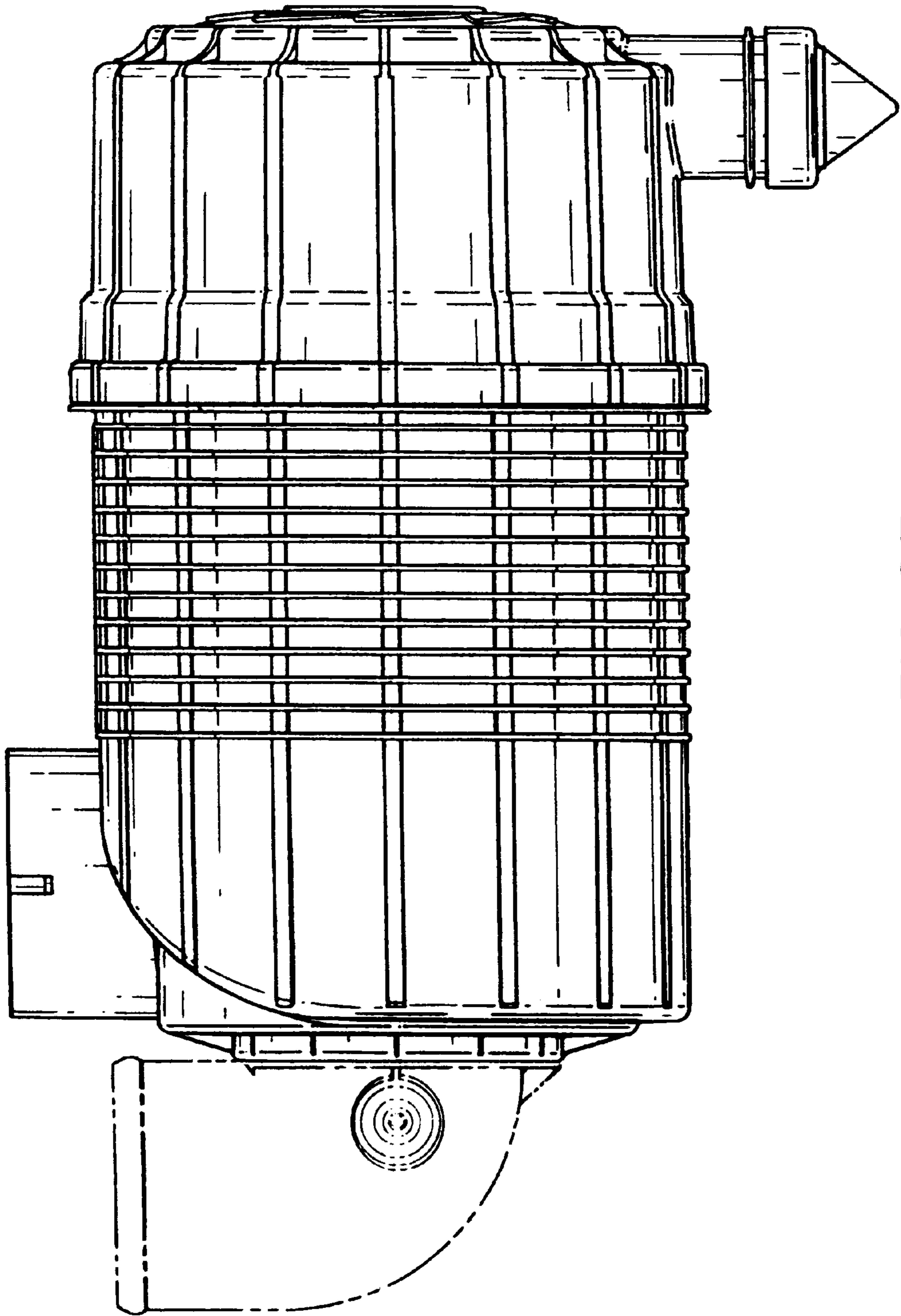


FIG. 23

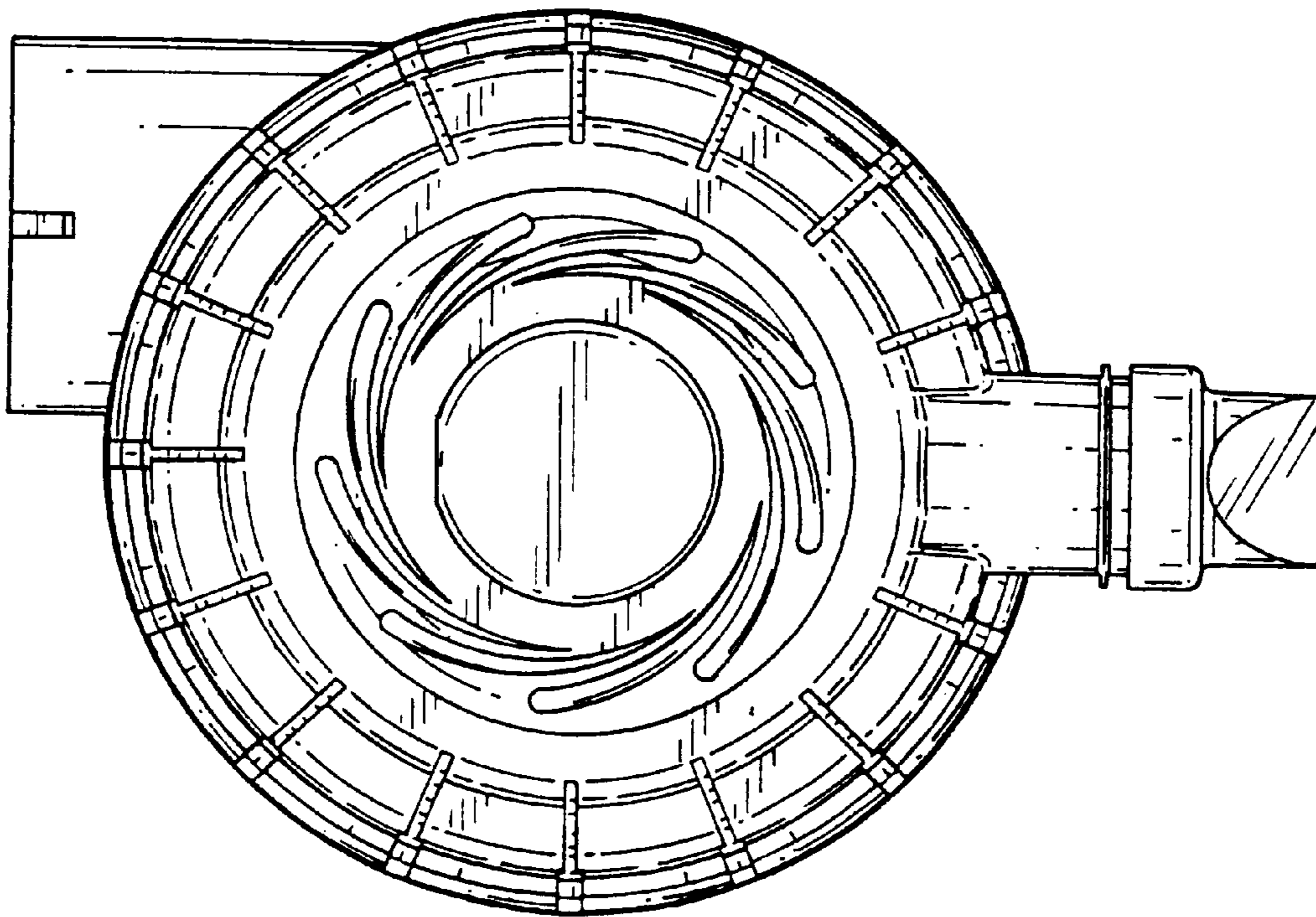


FIG. 24

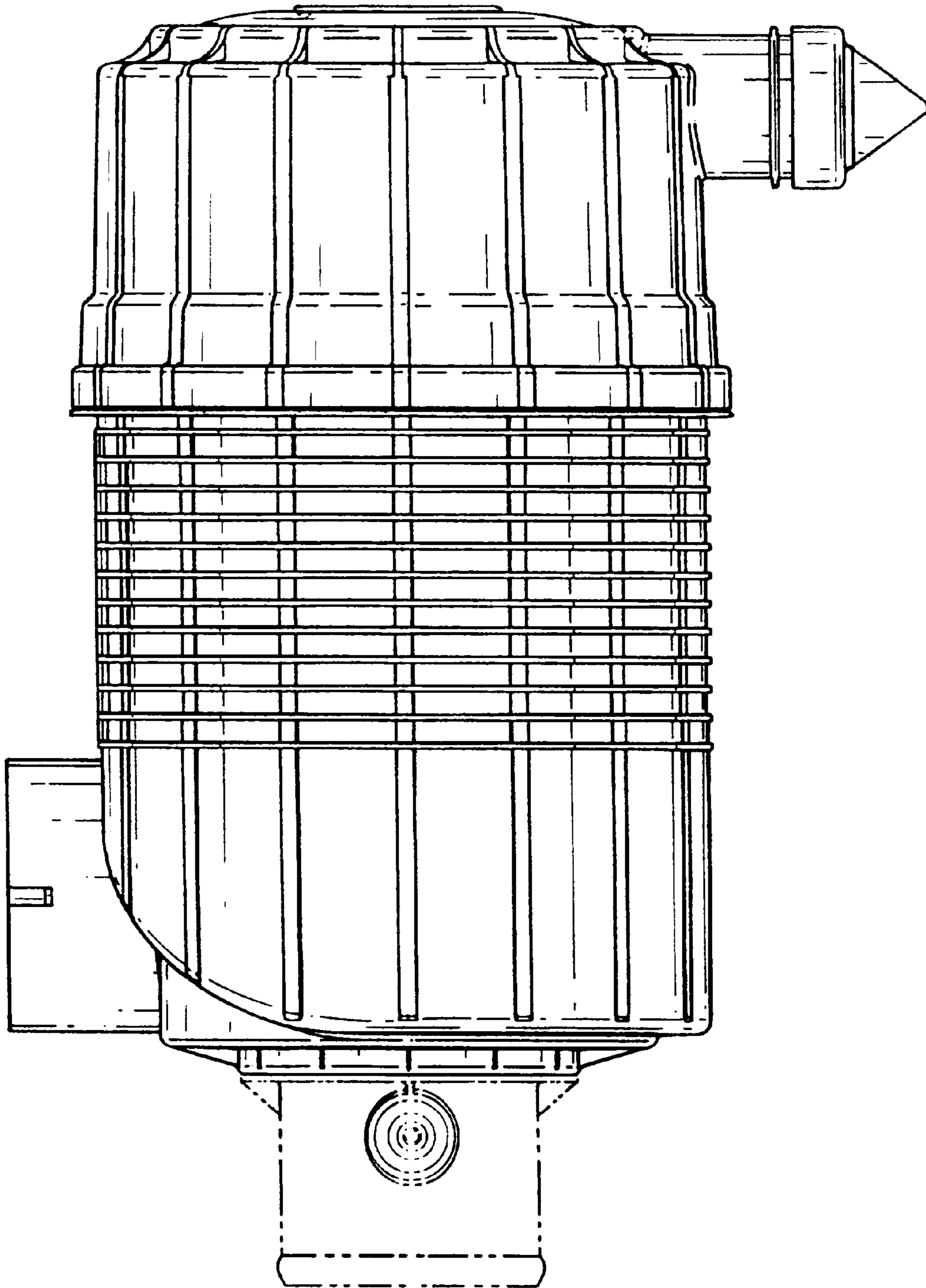


FIG. 25

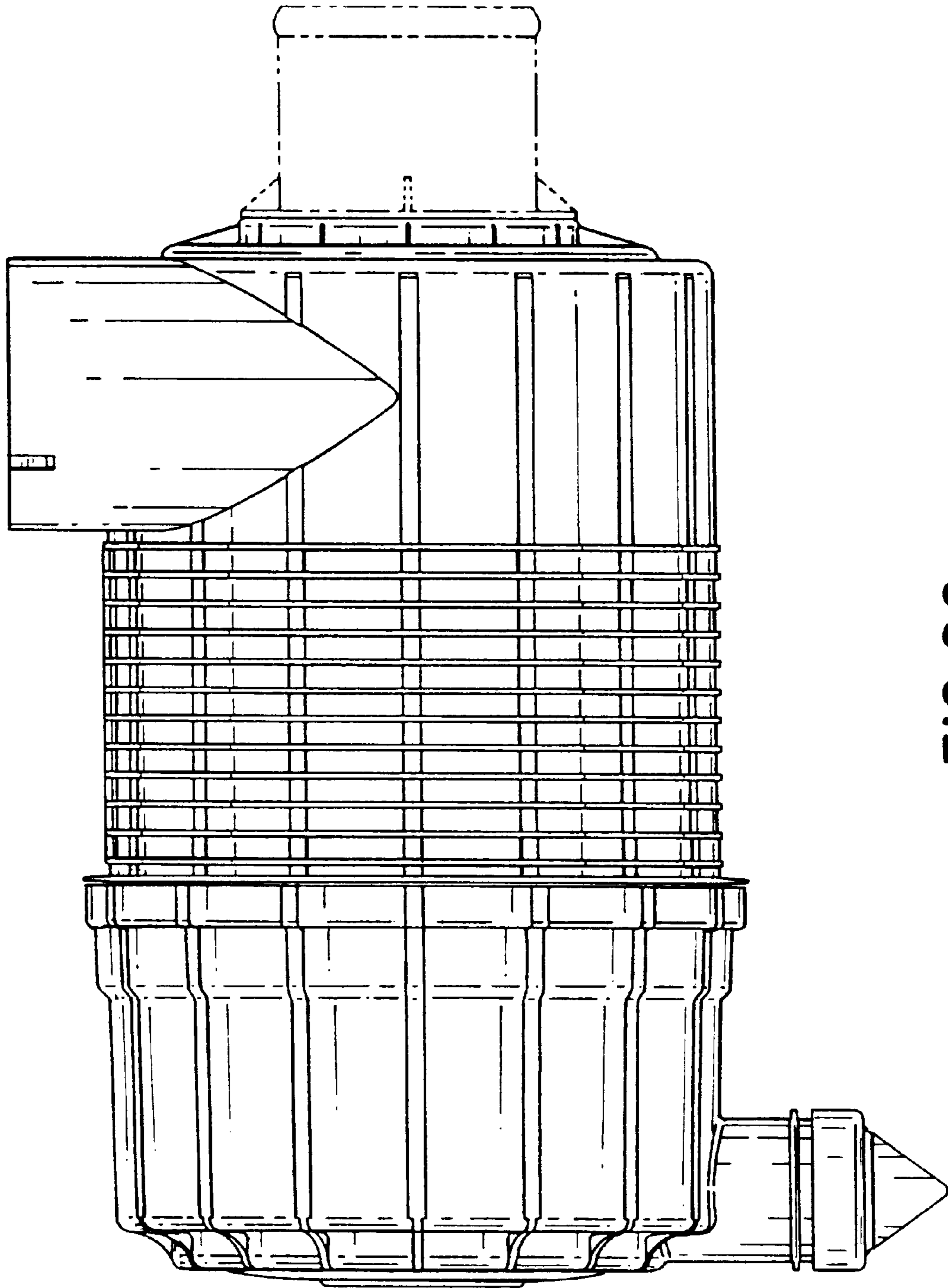


FIG. 26

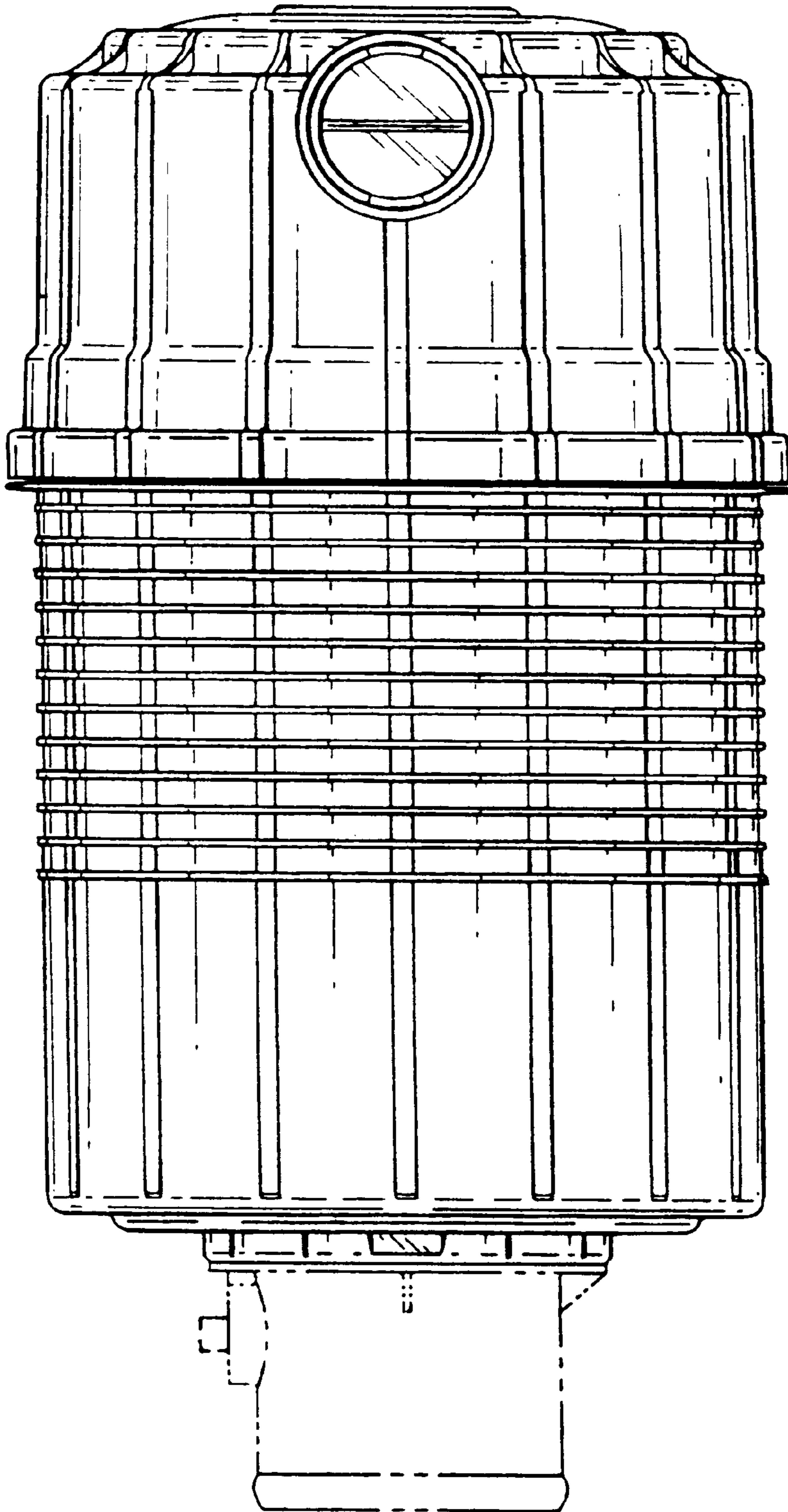


FIG. 27

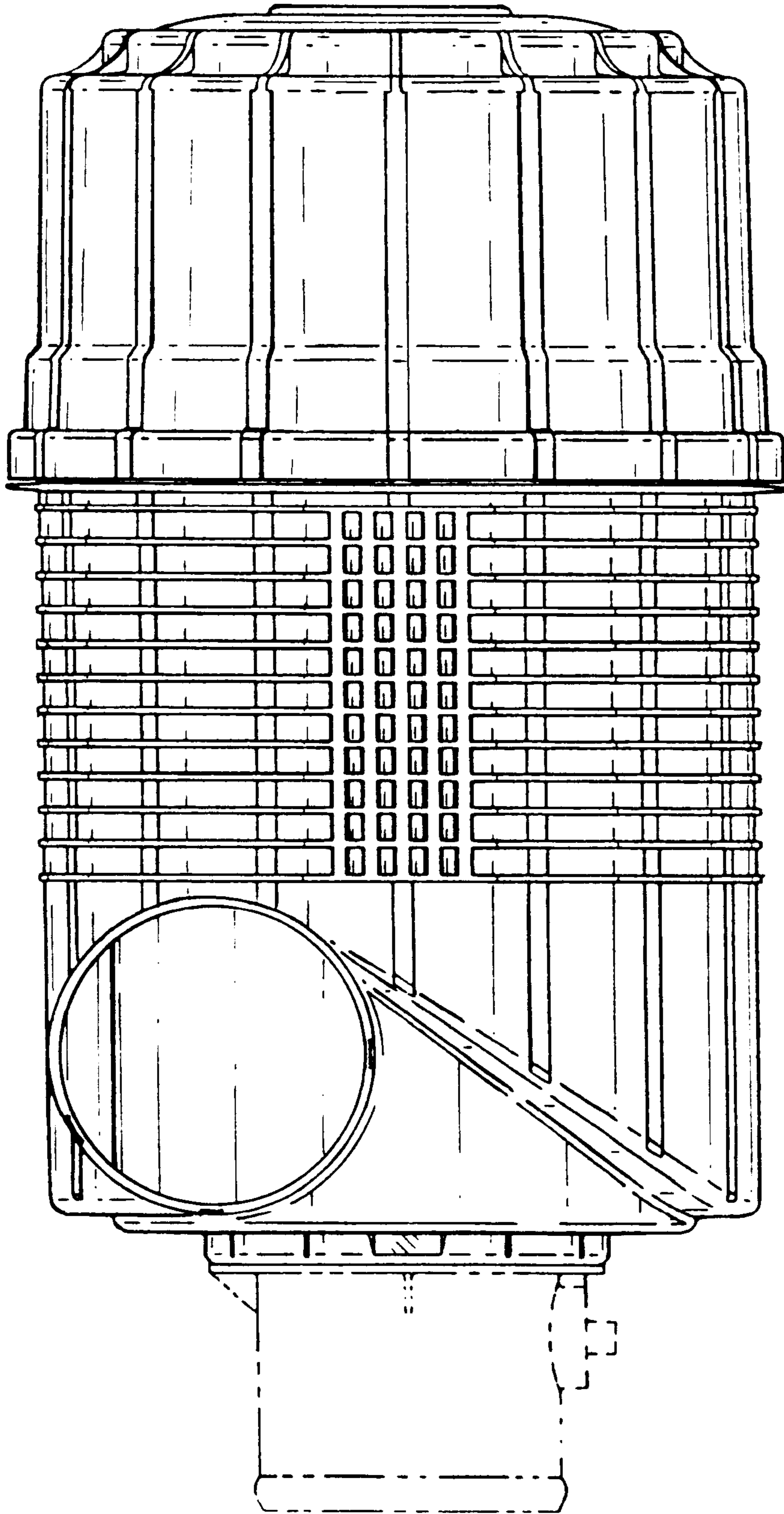


FIG. 28

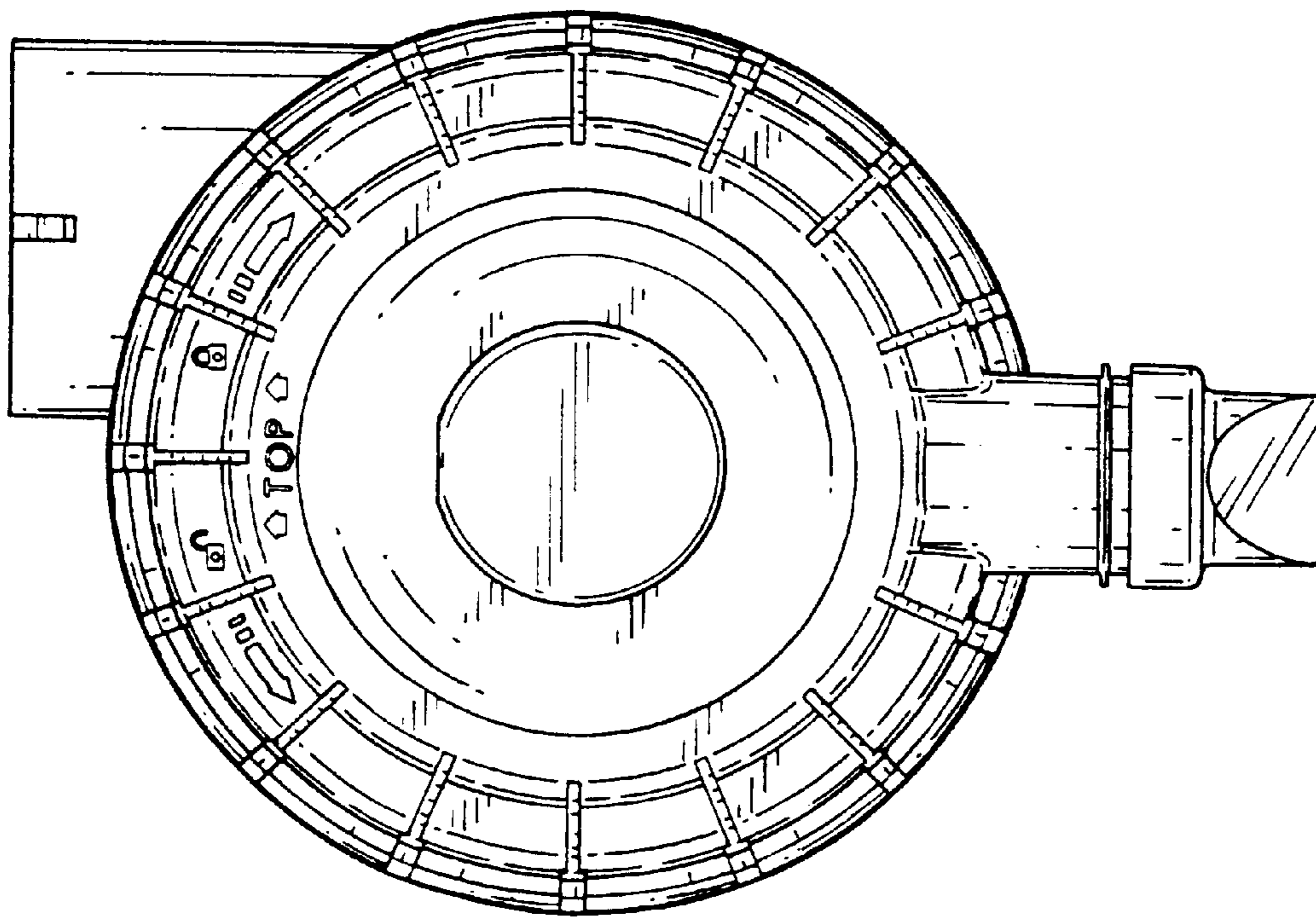


FIG. 29

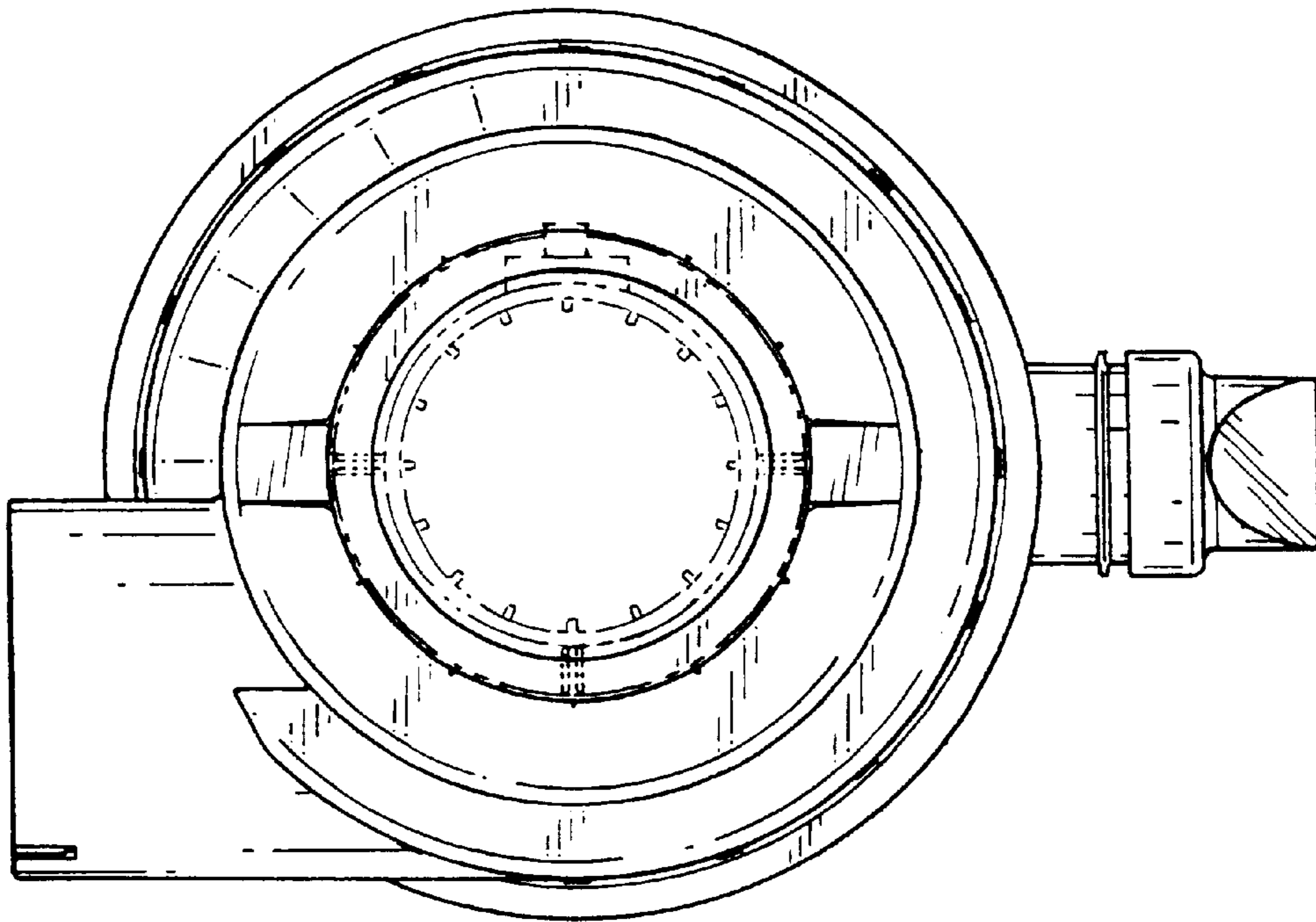


FIG. 30

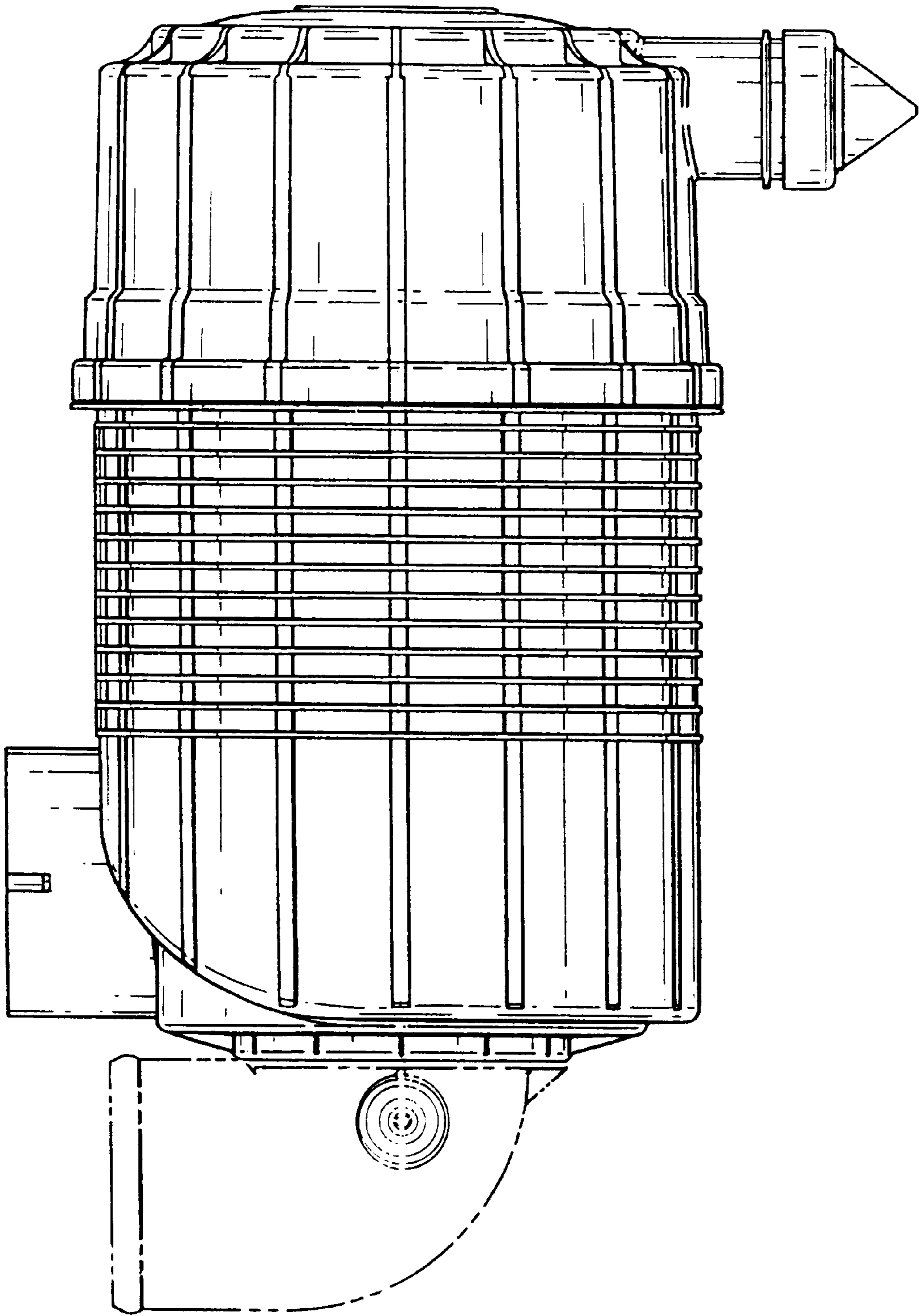


FIG. 31

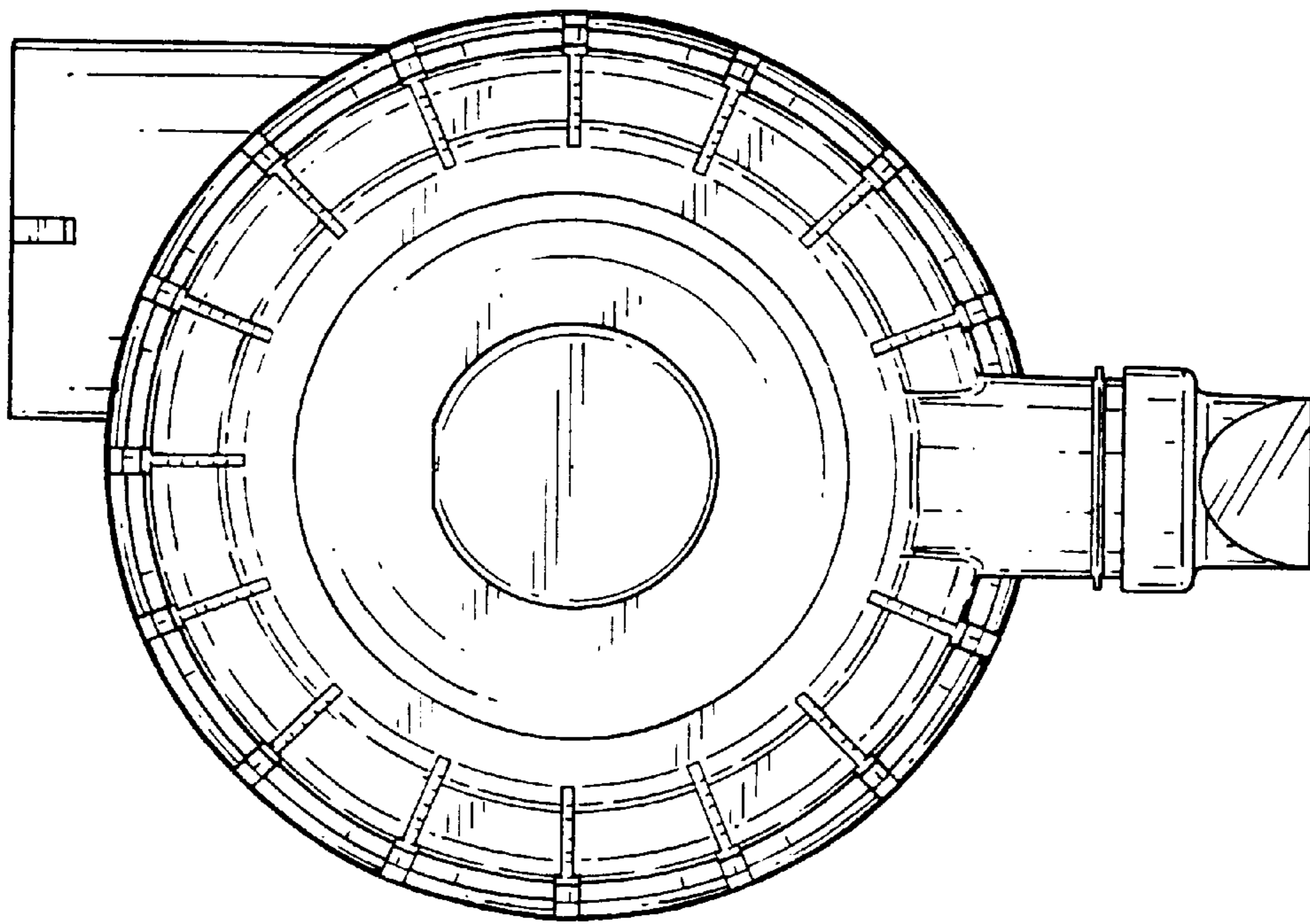


FIG. 32