



US00D412565S

United States Patent [19]
Lee

[11] **Patent Number: Des. 412,565**

[45] **Date of Patent: ** Aug. 3, 1999**

[54] **ELECTRIC HEATER**

1,829,303 10/1931 Schaber 392/376

[76] Inventor: **Jang Bum Lee**, Jangmi Apartment
7-1105, 7 Shinchon-dong, Songpa-ku,
Seoul, Rep. of Korea

Primary Examiner—Lisa Lichtenstein
Attorney, Agent, or Firm—John L. Welch, Esq.

[**] Term: **14 Years**

[57] **CLAIM**

The ornamental design for an electric heater, as shown.

[21] Appl. No.: **29/093,185**

[22] Filed: **Sep. 4, 1998**

DESCRIPTION

[30] **Foreign Application Priority Data**

Aug. 20, 1998 [KR] Rep. of Korea 98-13906

FIG. 1 is a perspective view of an ornamental design for an electric heater according to the present invention;

FIG. 2 is a top plan view thereof;

[51] **LOC (6) Cl.** **23-03**

[52] **U.S. Cl.** **D23/332; D23/335; D23/337**

FIG. 3 is a bottom plan view thereof;

[58] **Field of Search** D23/332, 335,
D23/337, 381, 382, 378; 416/247 R; 392/373,
365, 366, 375, 426

FIG. 4 is a front view thereof;

FIG. 5 is a rear view thereof;

FIG. 6 is a left side view thereof; and,

FIG. 7 is a right side view thereof.

[56] **References Cited**

U.S. PATENT DOCUMENTS

D. 312,684 12/1990 Geissler D23/336

1 Claim, 6 Drawing Sheets

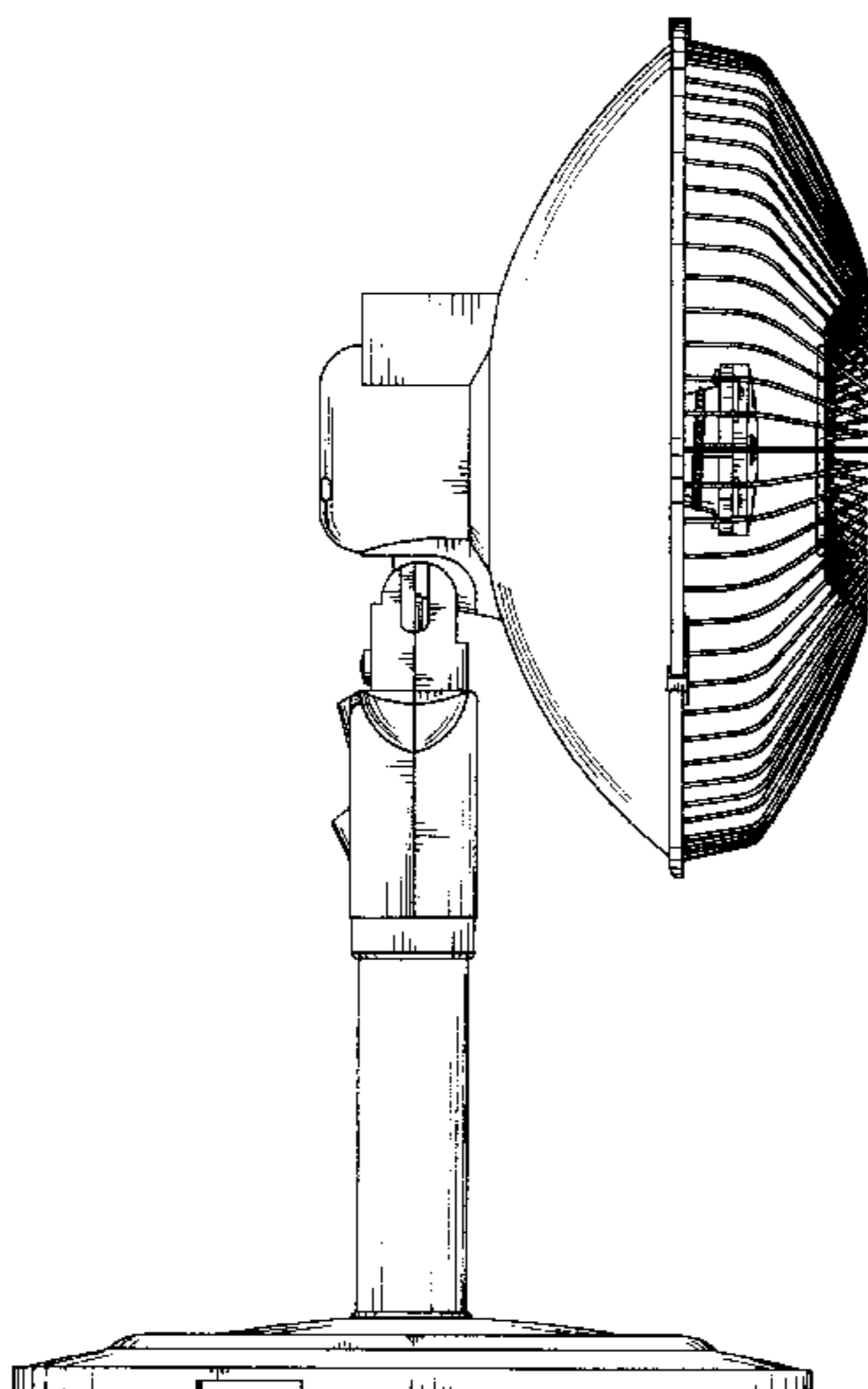
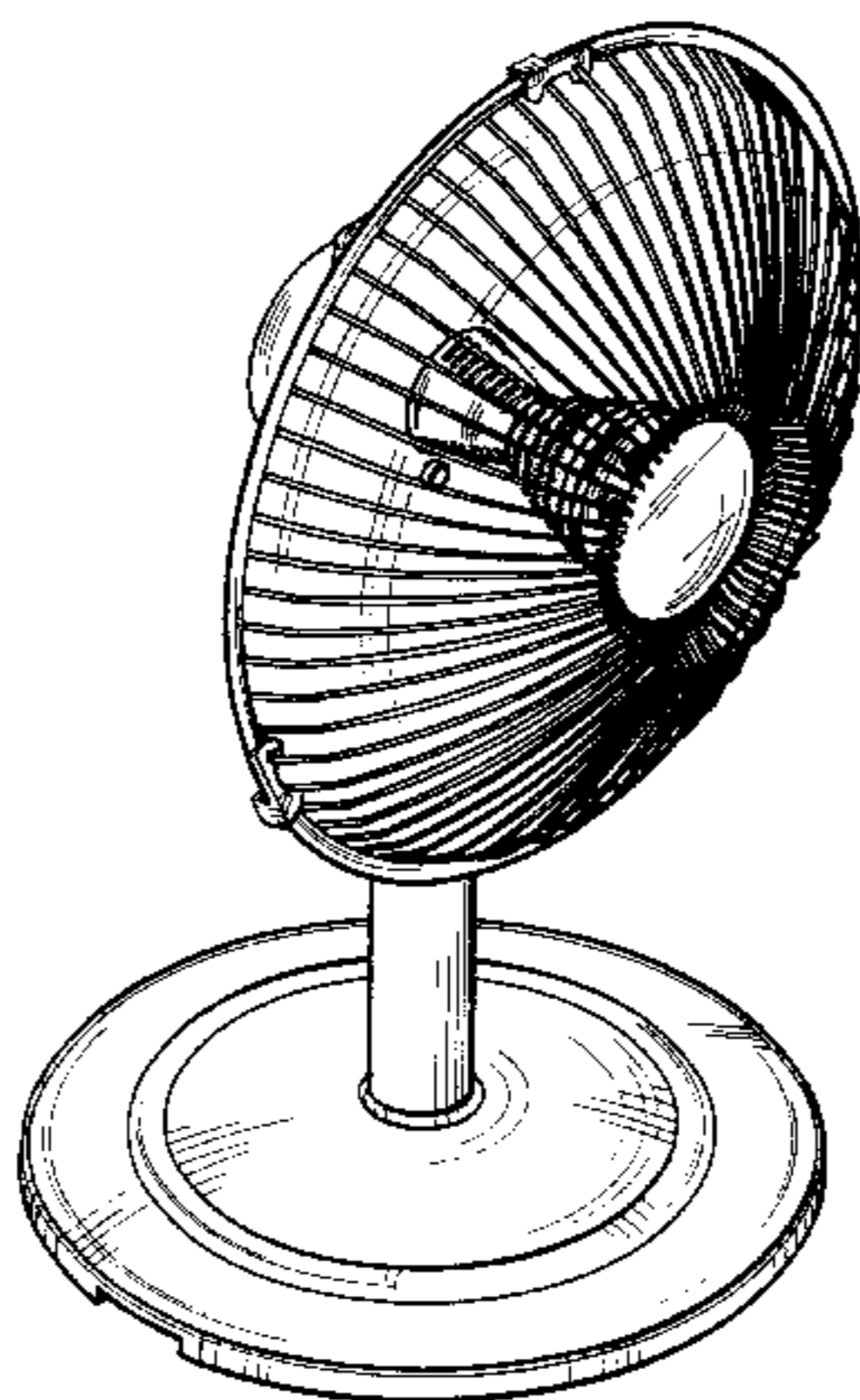


FIG. 1

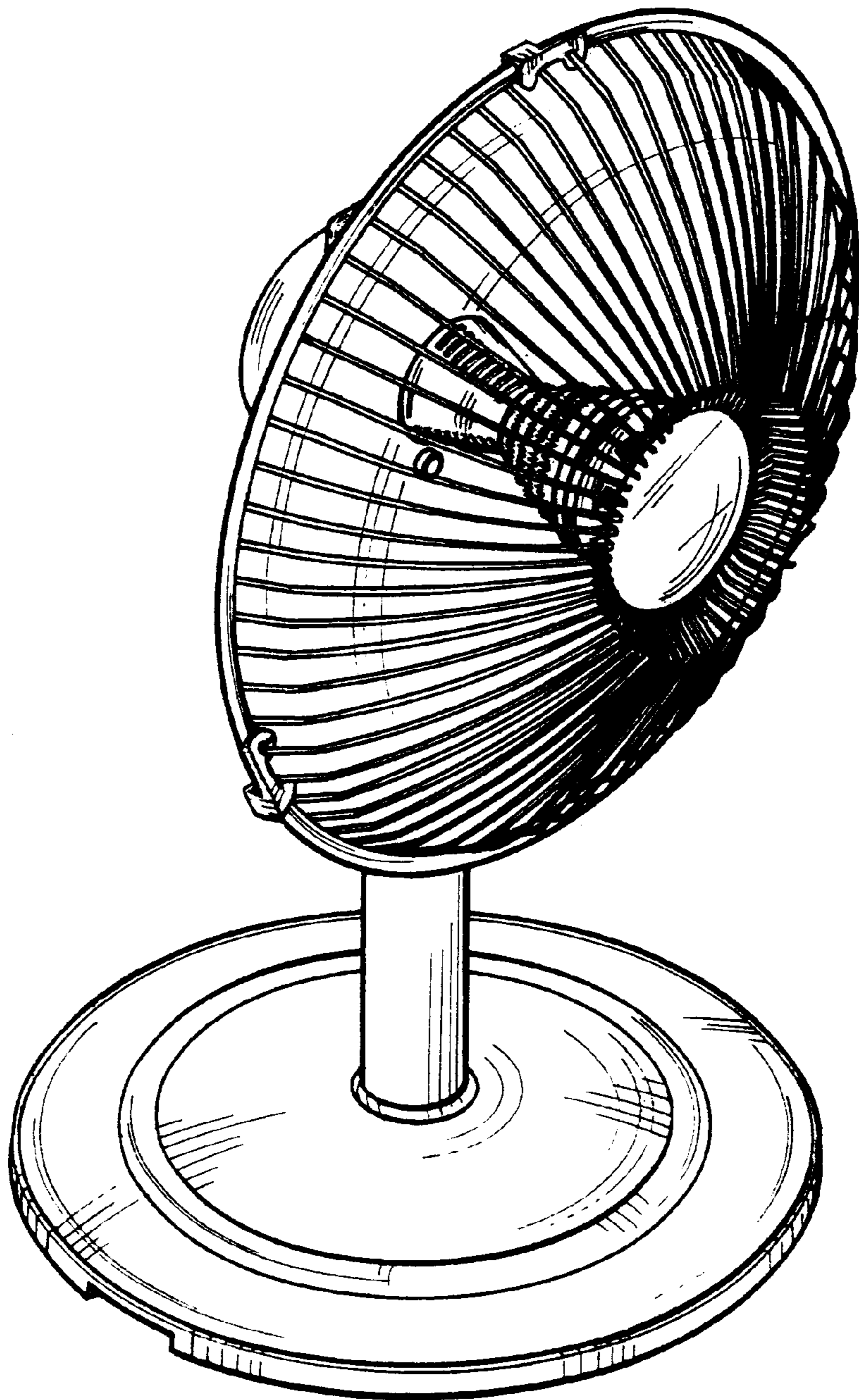


FIG. 2

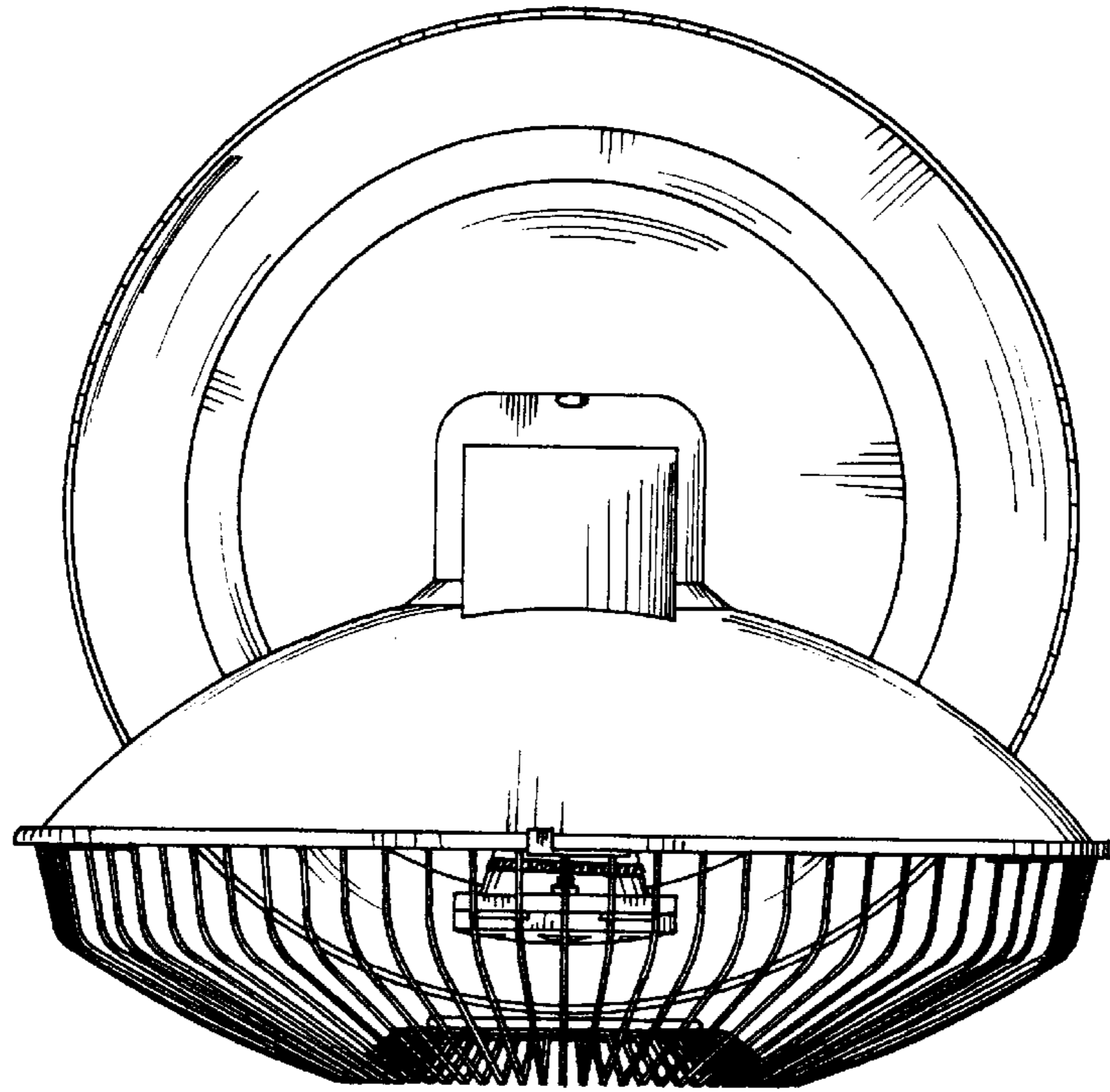


FIG. 3

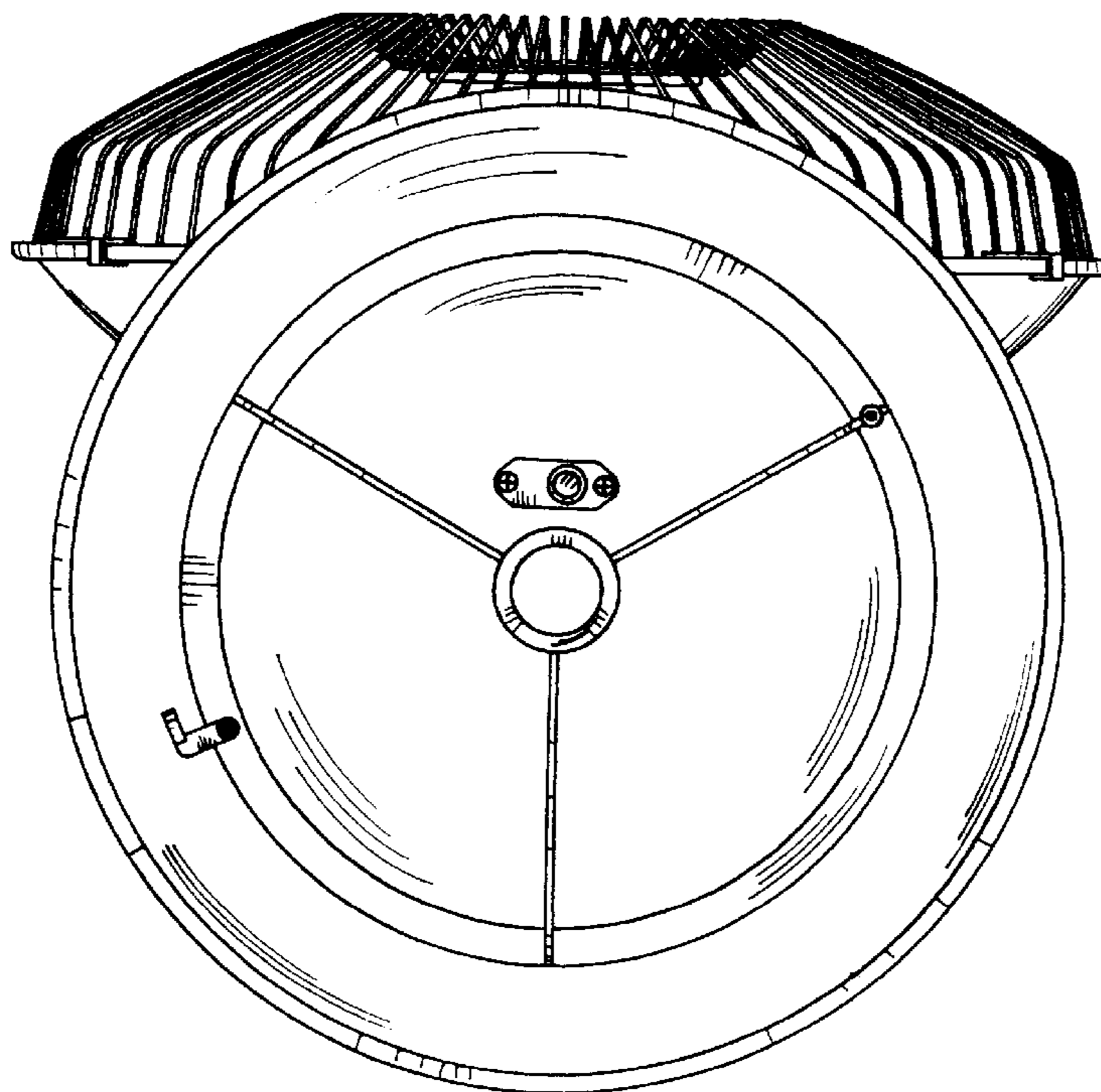


FIG. 4

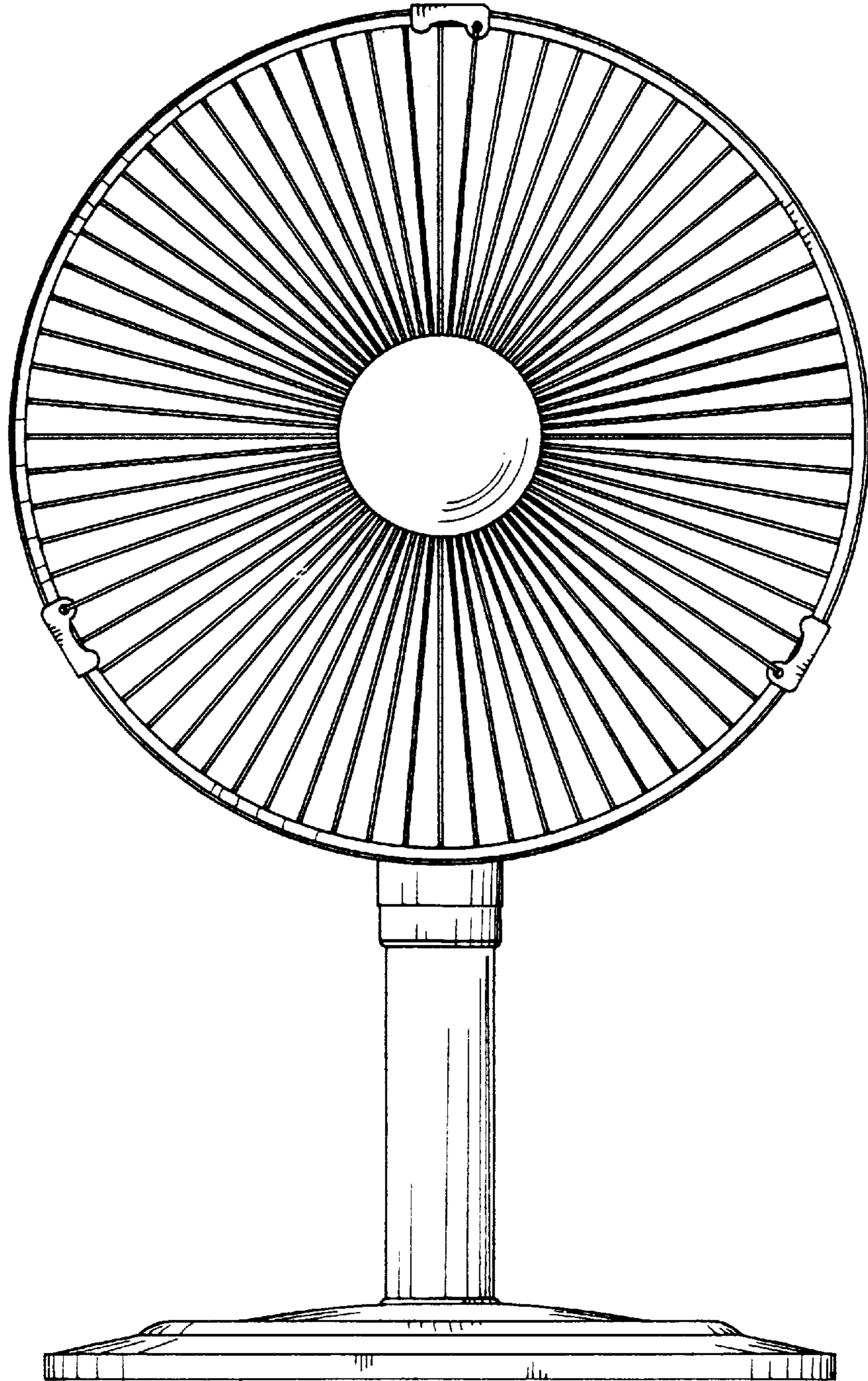


FIG. 5

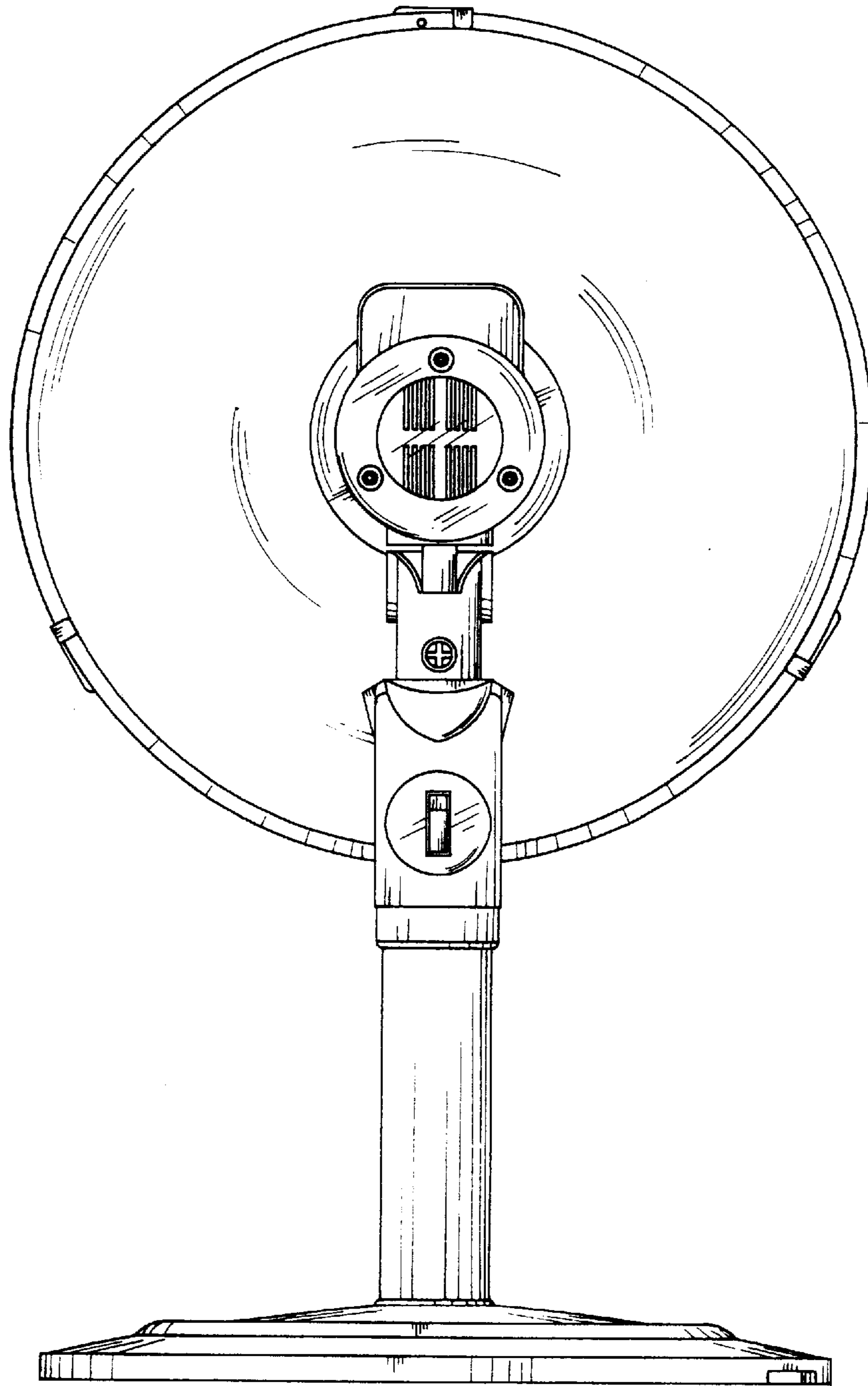


FIG. 6

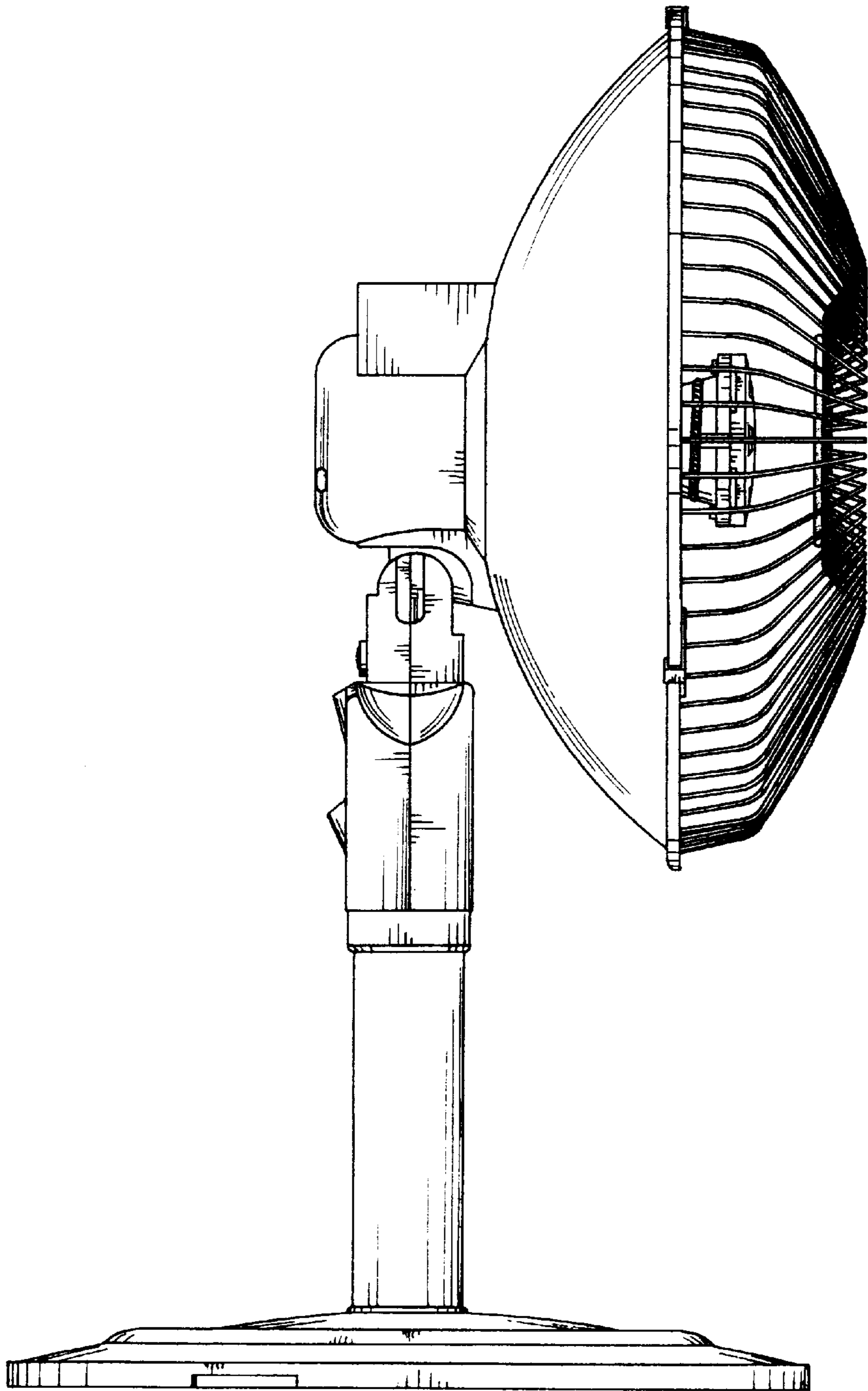


FIG. 7

