



US00D412564S

# United States Patent [19] Pustelnik

[11] Patent Number: **Des. 412,564**

[45] Date of Patent: **\*\* Aug. 3, 1999**

[54] **OIL COOLER**

3,265,126	8/1966	Donaldson	.....	165/153
5,148,863	9/1992	Fouts et al.	.....	165/153
5,373,896	12/1994	Osborn	.....	165/153

[75] Inventor: **Werner Pustelnik**, Vienna, Austria

[73] Assignee: **Asa Hydraulik Gesellschaft m.b.H.**,  
Vienna, Austria

[\*\*] Term: **14 Years**

*Primary Examiner*—Lisa Lichtenstein  
*Attorney, Agent, or Firm*—Frishauf, Holtz, Goodman,  
Langer & Chick, P.C.

[21] Appl. No.: **29/059,446**

[22] Filed: **Sep. 11, 1996**

[51] **LOC (6) Cl.** ..... **23-03**

[52] **U.S. Cl.** ..... **D23/330**

[58] **Field of Search** ..... D23/330, 386;  
165/153

[57] **CLAIM**

I claim the ornamental design for an oil cooler, as shown.

**DESCRIPTION**

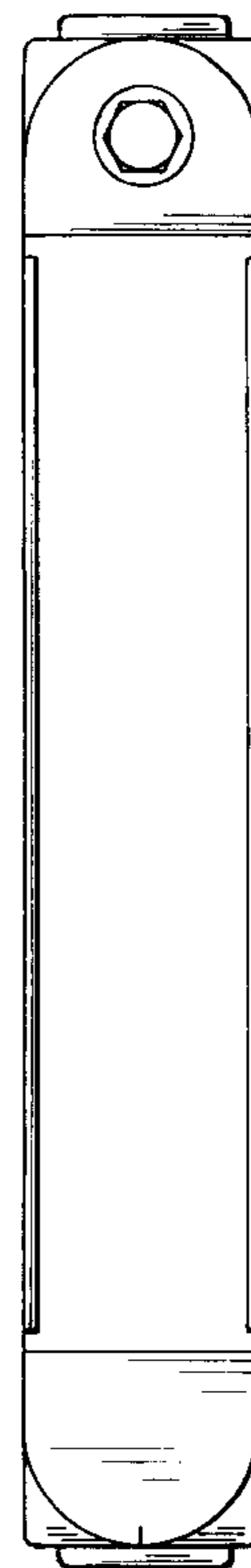
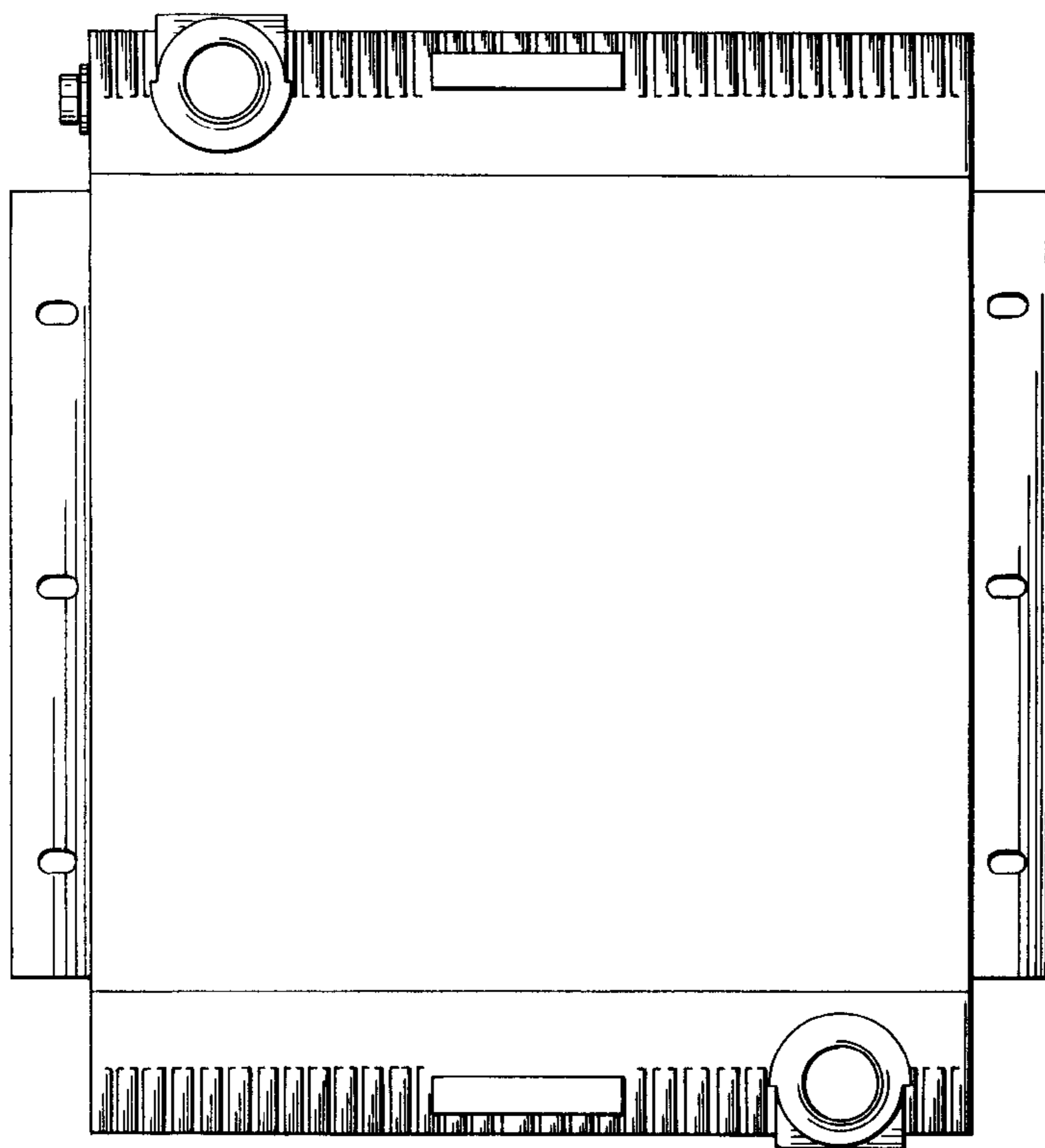
FIG. 1 is a front elevational view of an oil cooler, showing my new design;  
FIG. 2 is a top view thereof;  
FIG. 3 is a left side view thereof;  
FIG. 4 is a right side view thereof;  
FIG. 5 is a rear elevational view thereof; and,  
FIG. 6 is a bottom view thereof.

[56] **References Cited**

**U.S. PATENT DOCUMENTS**

Re. 26,550 3/1969 Beatenbough et al. .... 165/153

**1 Claim, 3 Drawing Sheets**



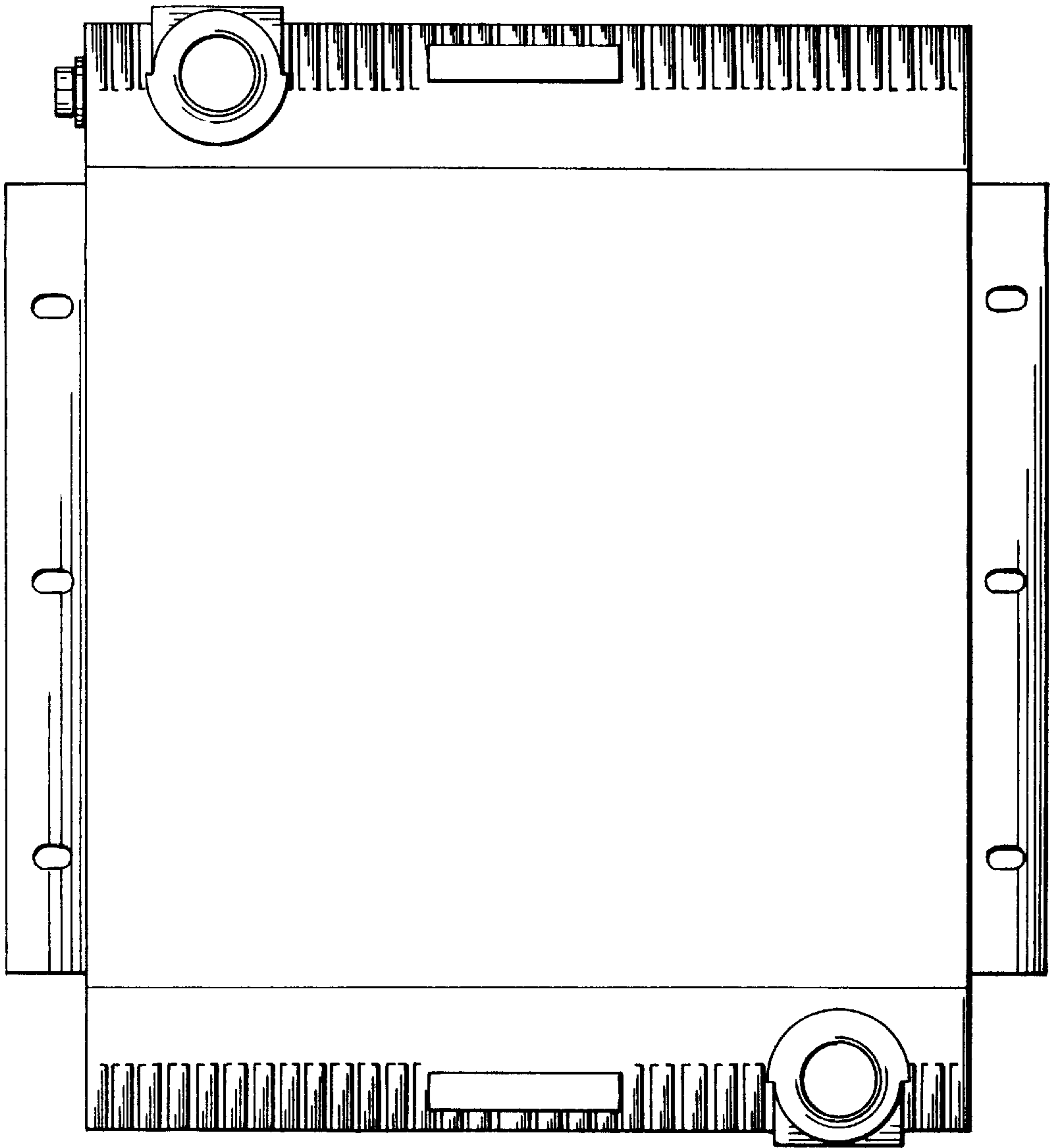
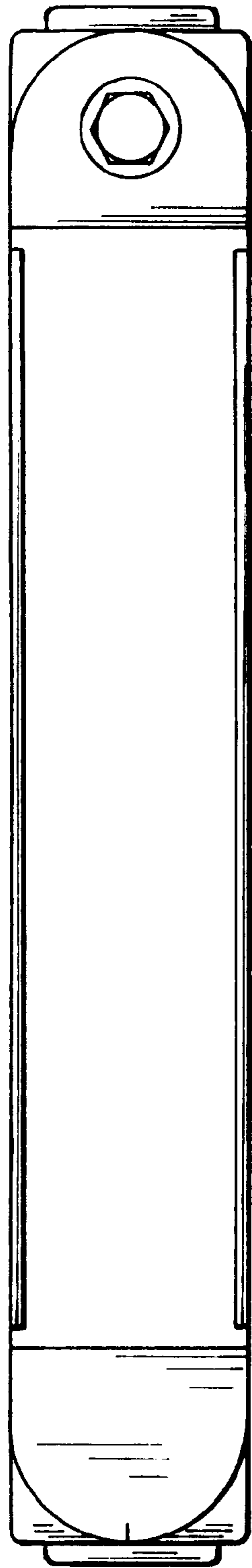


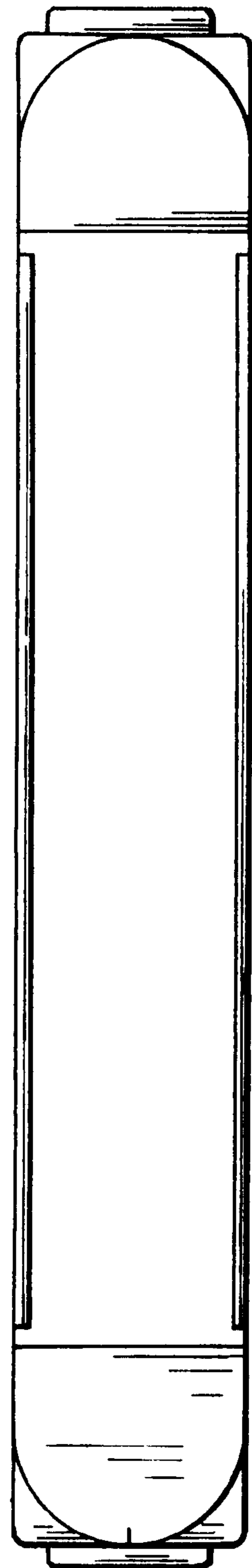
Fig. 1



Fig. 2



*Fig. 3*



*Fig. 4*

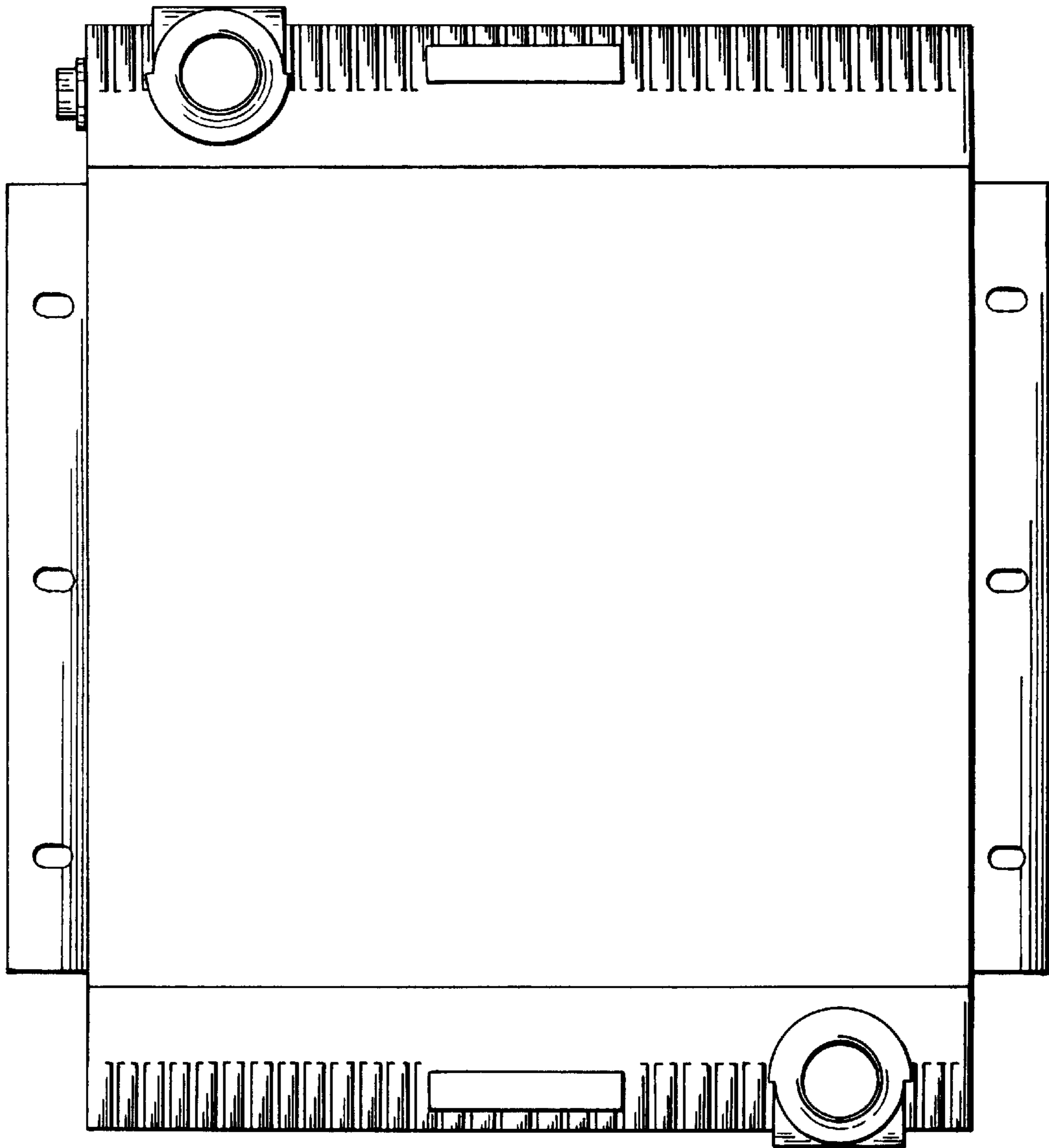


Fig. 5

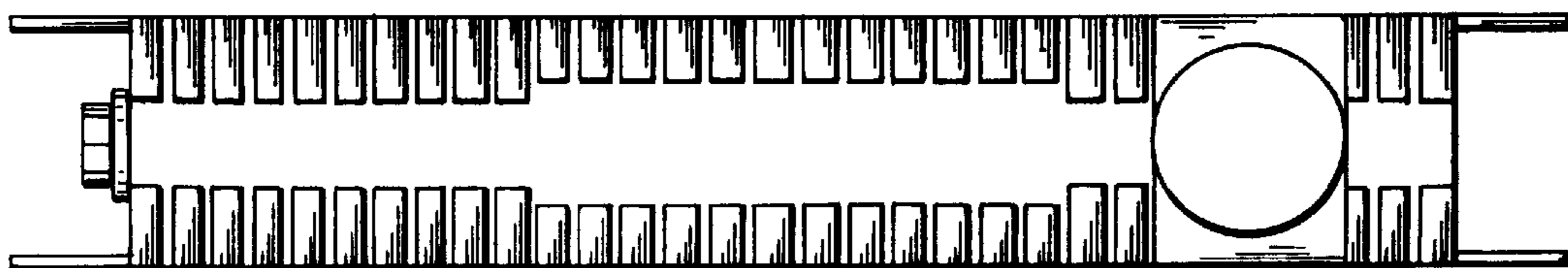


Fig. 6

UNITED STATES PATENT AND TRADEMARK OFFICE  
**CERTIFICATE OF CORRECTION**

PATENT NO. : D. 412,564  
DATED : August 3, 1999  
INVENTOR(S) : Werner PUSTELNIK

It is certified that error appears in the above-identified patent and that said Letters Patent is hereby corrected as shown below:

Title page, Item [30]  
Insert --Foreign Application Priority Data  
MU-901/96 Austria 3/12/1996--.

Signed and Sealed this  
Tenth Day of October, 2000

*Attest:*



Q. TODD DICKINSON

*Attesting Officer*

*Director of Patents and Trademarks*