



US00D412562S

United States Patent [19] Soulier

[11] **Patent Number: Des. 412,562**

[45] **Date of Patent: ** Aug. 3, 1999**

[54] **LAVATORY**

[75] Inventor: **Jean-Hugues Soulier**, Garches, France

[73] Assignee: **Jacob Delafon**, Paris, France

[**] Term: **14 Years**

[21] Appl. No.: **29/087,446**

[22] Filed: **May 2, 1998**

[30] Foreign Application Priority Data

Nov. 3, 1997 [XH] Hague Agreement DM/04350

[51] **LOC (6) Cl.** **23-02**

[52] **U.S. Cl.** **D23/292**

[58] **Field of Search** D23/284-293.1;
4/619, 624, 625-650

[56] References Cited

U.S. PATENT DOCUMENTS

D. 45,289 2/1914 Cochran D23/292
D. 88,713 12/1932 Foler et al. D23/292 X
D. 283,155 3/1986 Ronvik D23/292
D. 320,068 9/1991 Waldren D23/292

OTHER PUBLICATIONS

1983 Porcher ad showing "Femina" hand basin.
1996 Kohler catalog ad, p. 13-2, showing "Cabernet" lavatories.

1996 Kohler catalog ad, p. 13-6a, showing "Revival" lavatory.

1987 Armitage Shanks ad showing "Kensington" lavatory.

Primary Examiner—Louis S. Zarfaz

Assistant Examiner—Eric Watterson

Attorney, Agent, or Firm—Quarles & Brady LLP

[57] CLAIM

The ornamental design for a lavatory, as shown and described.

DESCRIPTION

FIG. 1 is a left side elevational view of a wall-mountable lavatory embodying my new design, the right side elevational view being a mirror image of the left side shown;

FIG. 2 is a front elevational view thereof;

FIG. 3 is a top plan view thereof;

FIG. 4 is a cross-sectional view taken along line 4-4 of FIG. 2;

FIG. 5 is a left side elevational view of a second embodiment in the form of a pedestal lavatory, the right side elevational view being a mirror image of the left side shown, and the top plan view thereof being identical to that shown in FIG. 3;

FIG. 6 is a front elevational view thereof; and,

FIG. 7 is a cross-sectional view taken along line 7-7 of FIG. 6.

The broken line representations of holes in FIG. 3 are for purposes of illustration only, and form no part of the claimed design.

1 Claim, 4 Drawing Sheets

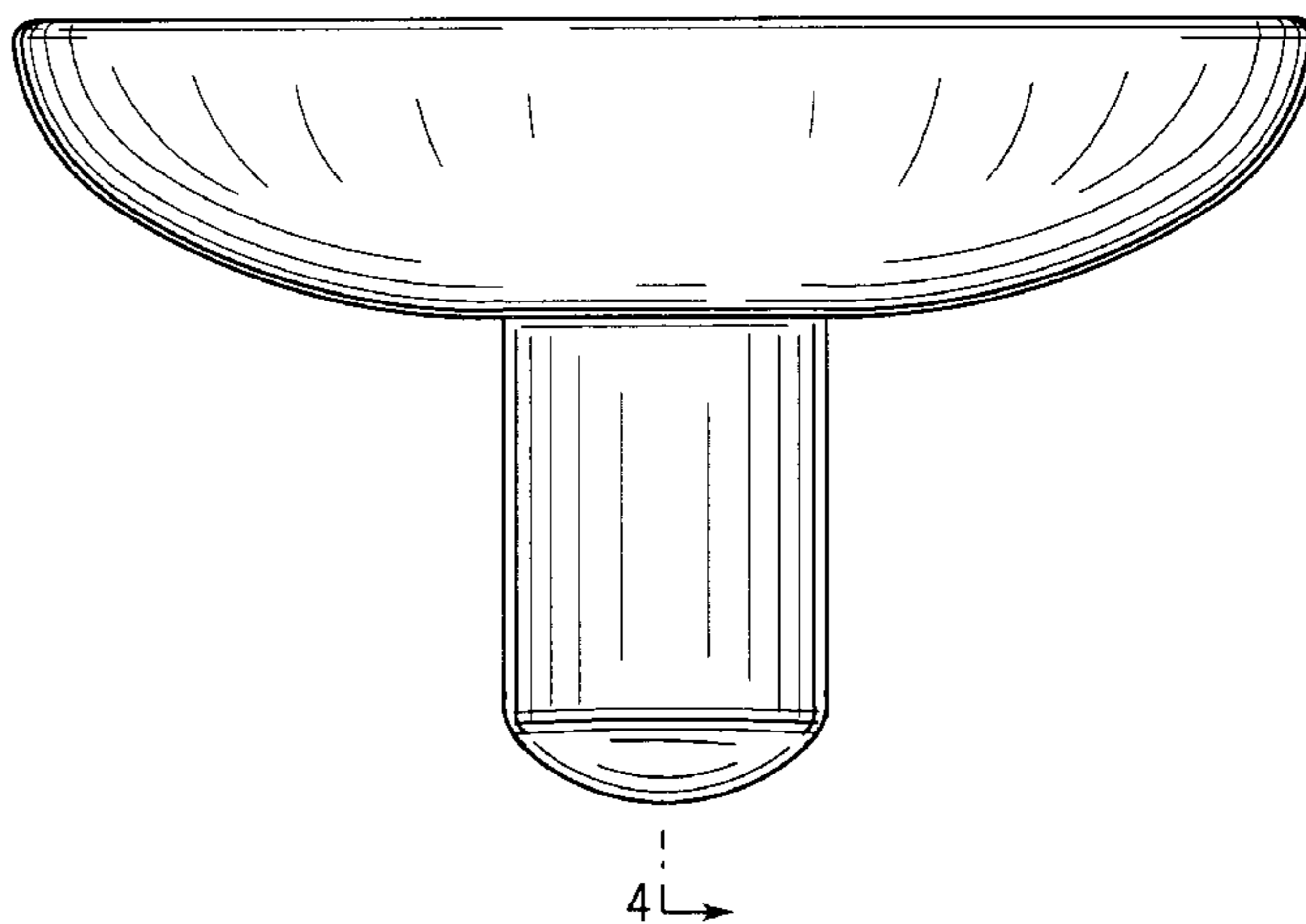
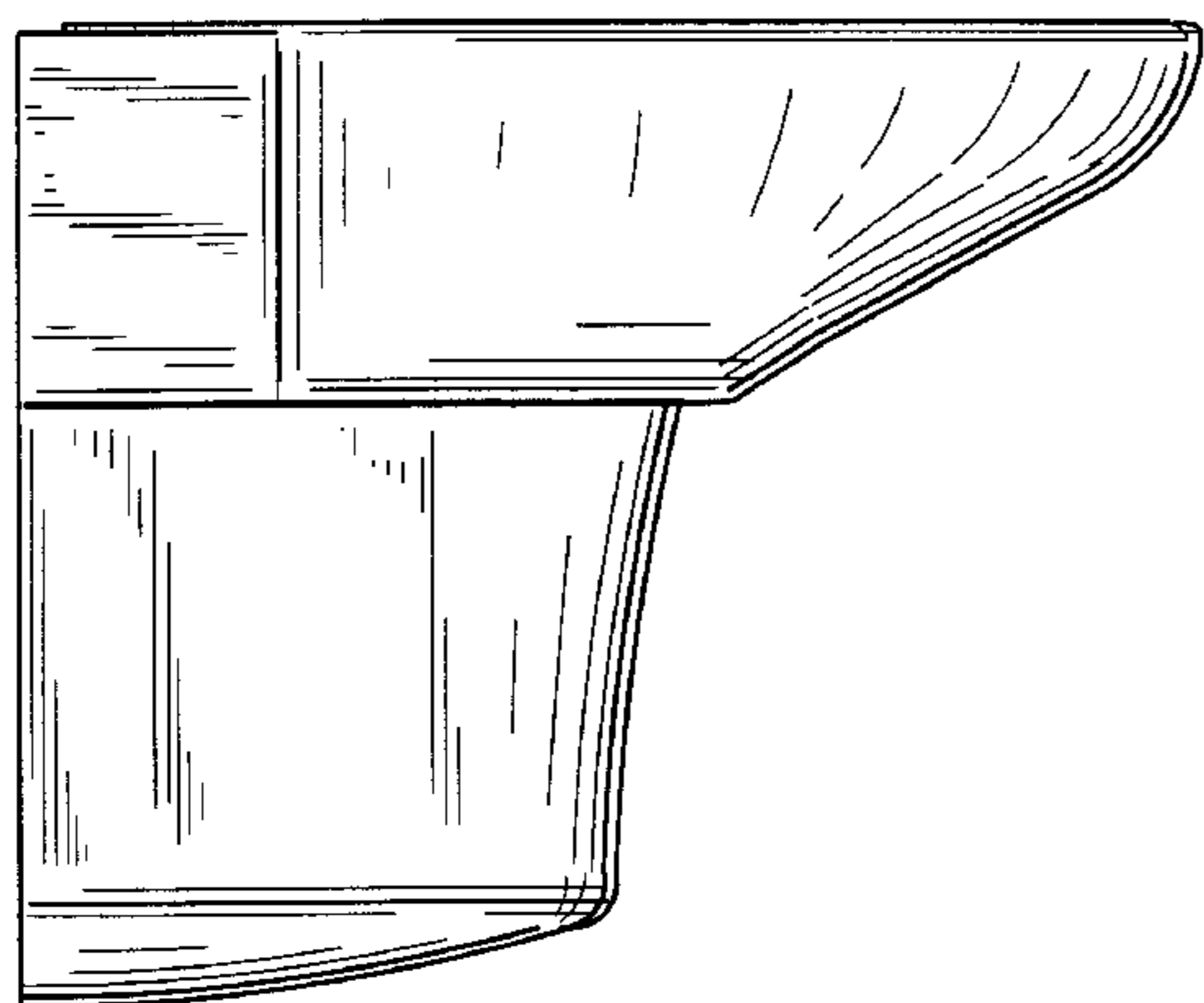


FIG. 1

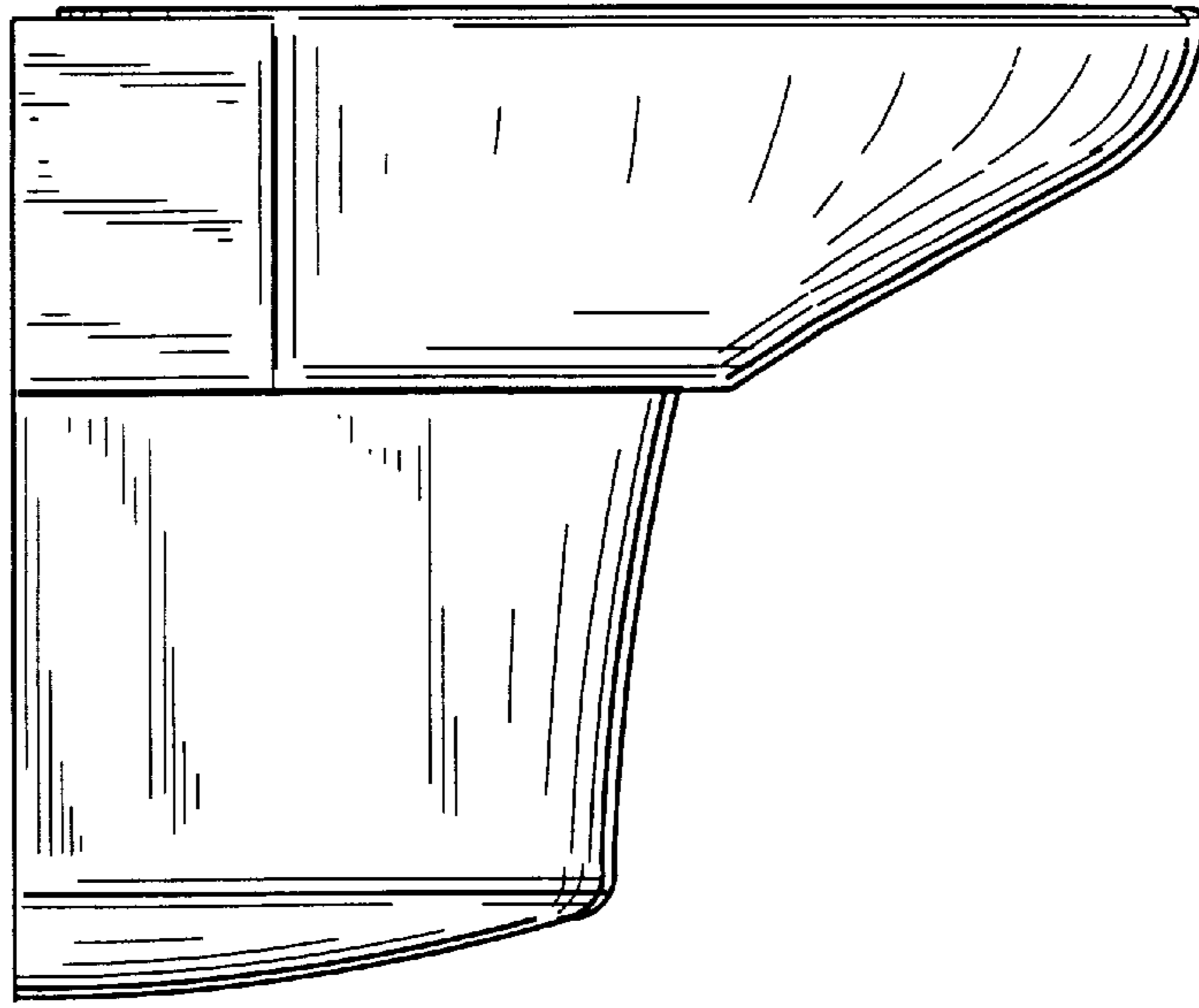


FIG. 2

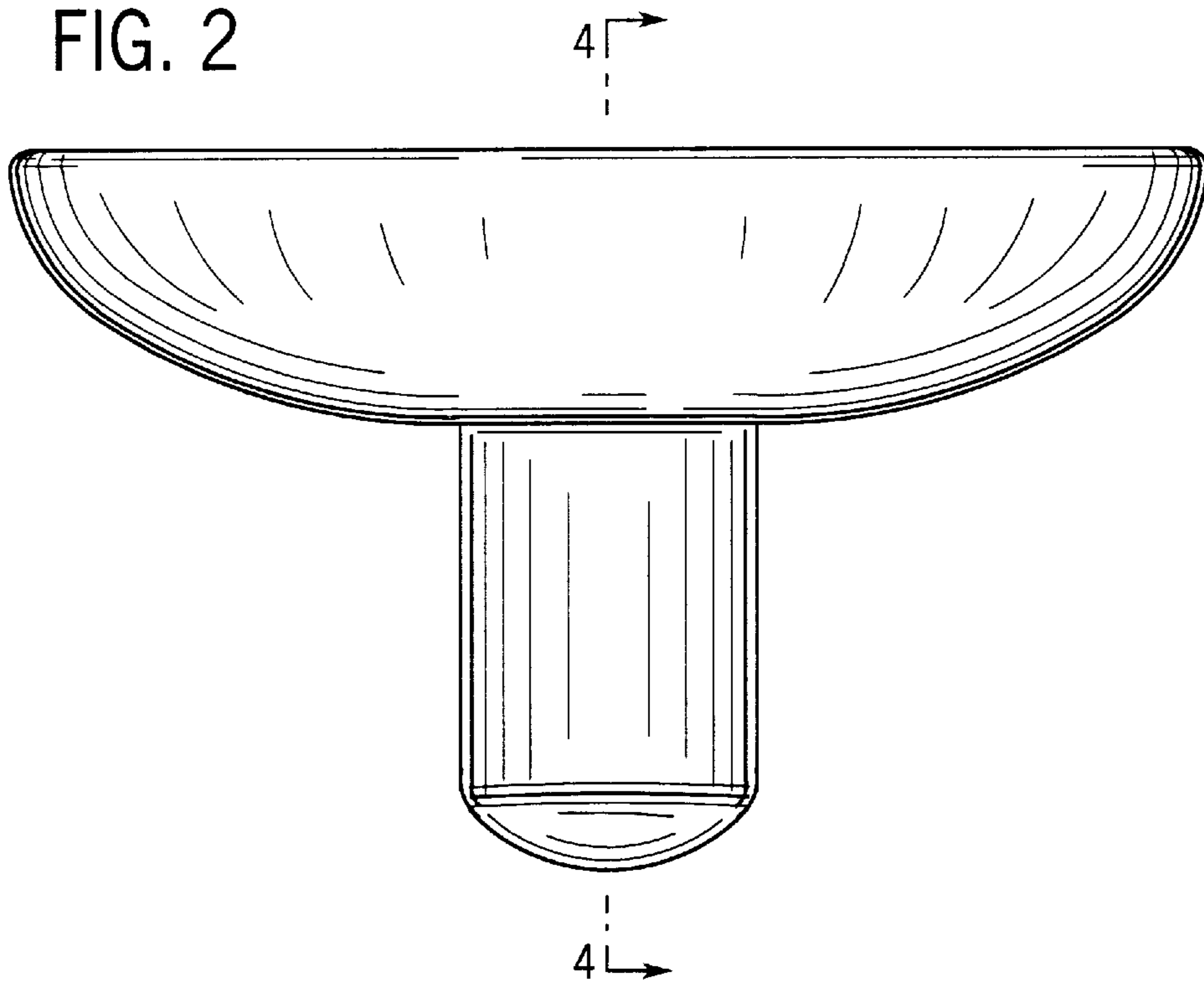


FIG. 3

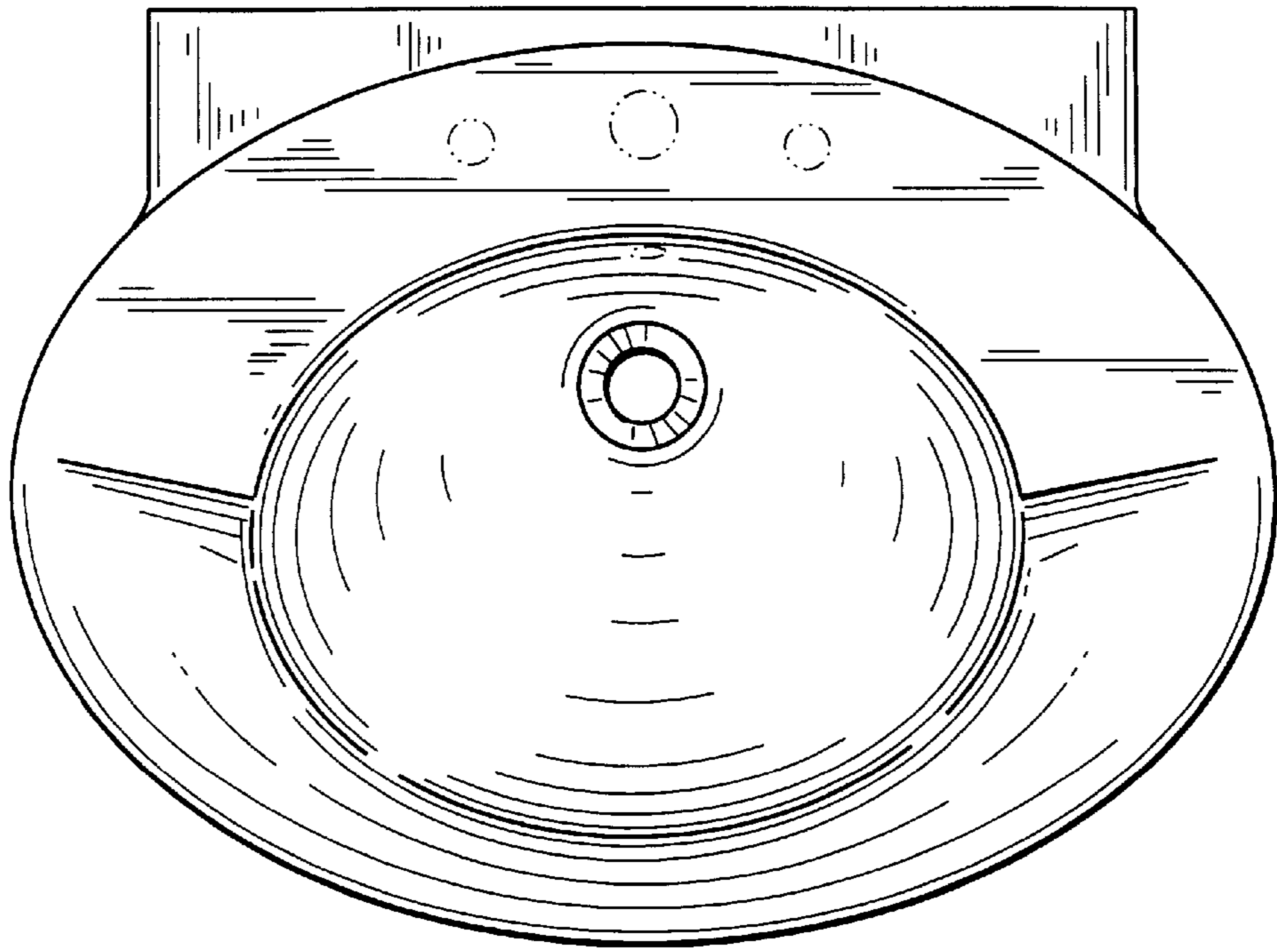


FIG. 4

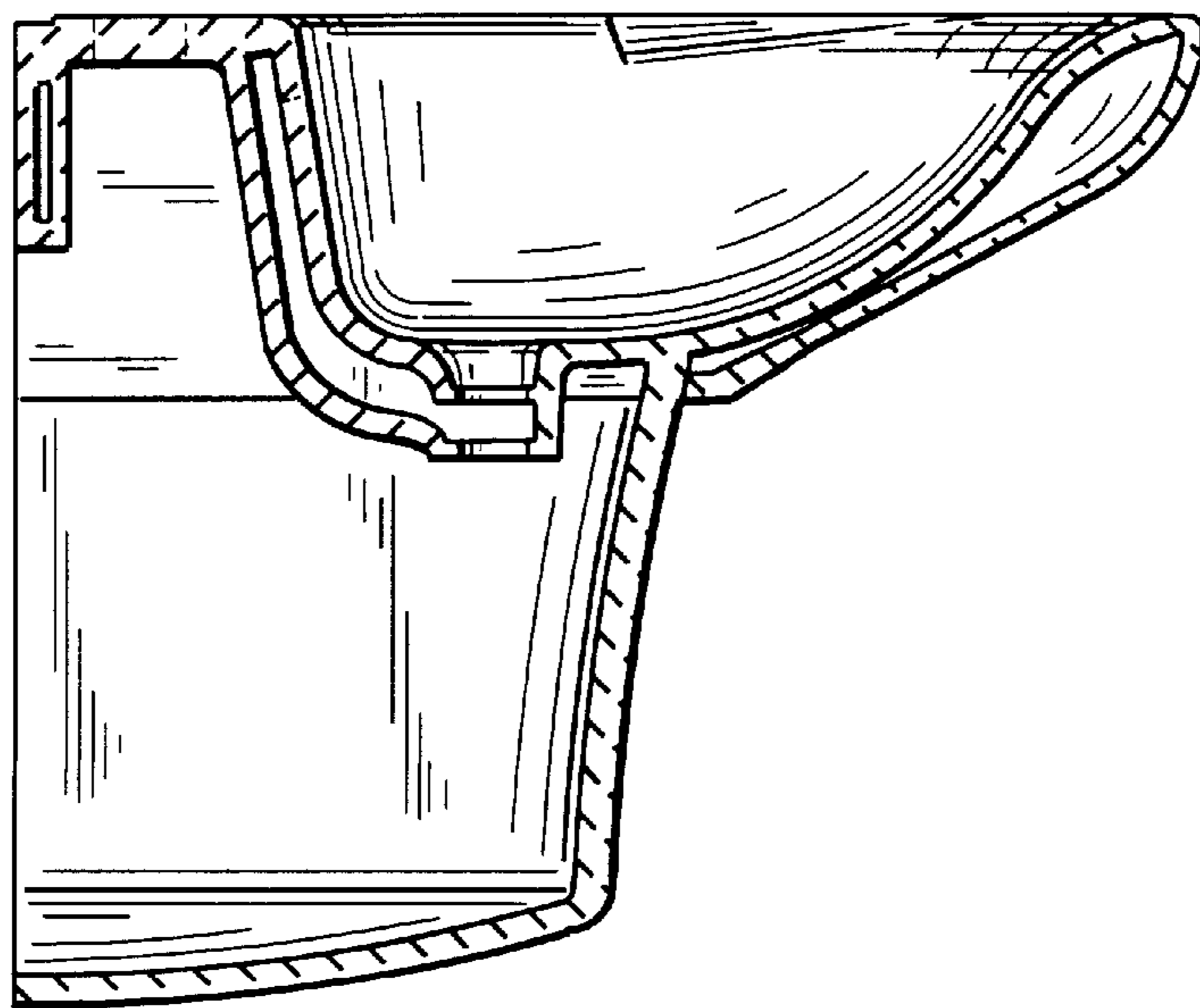


FIG. 5

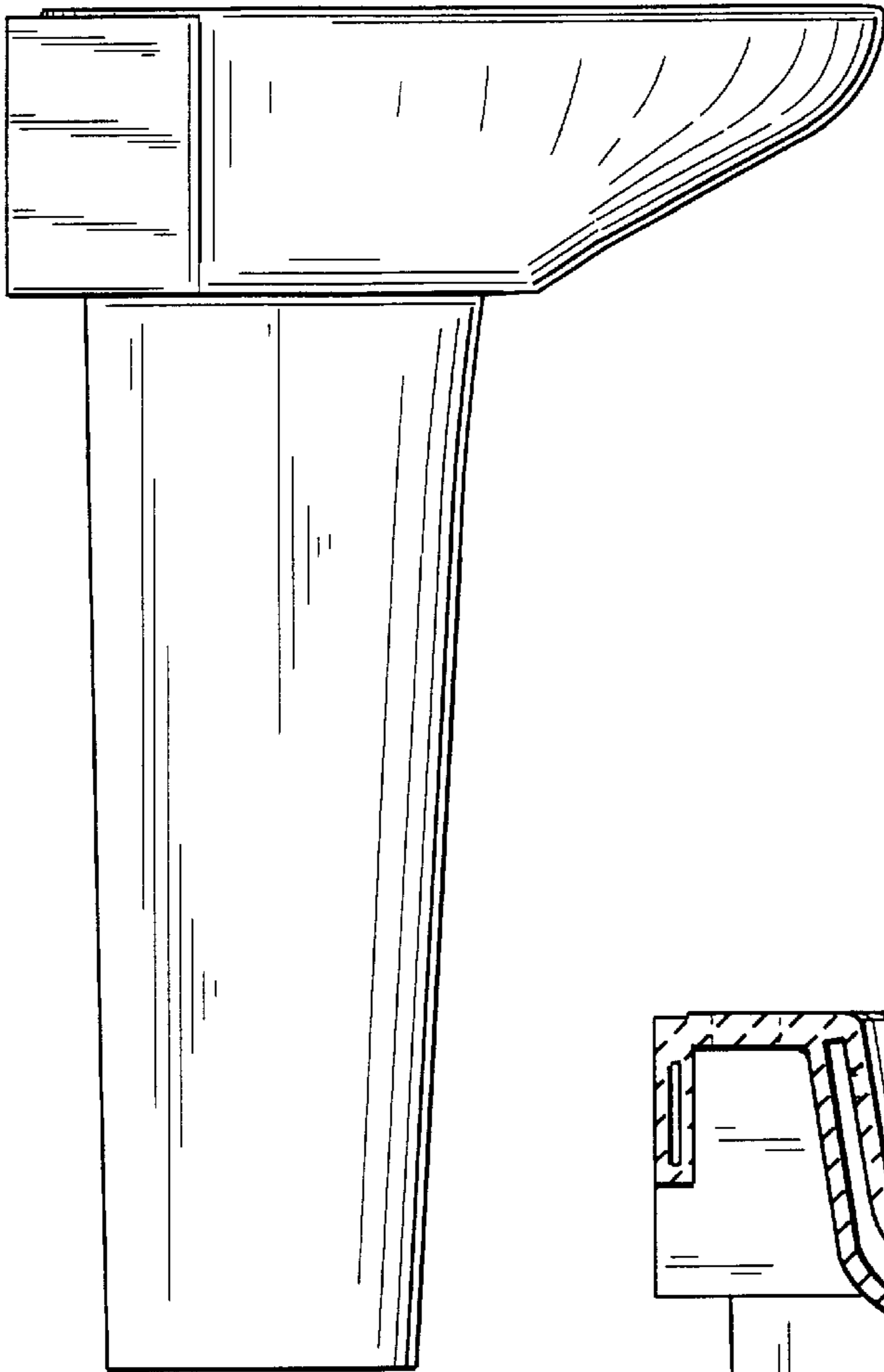


FIG. 7

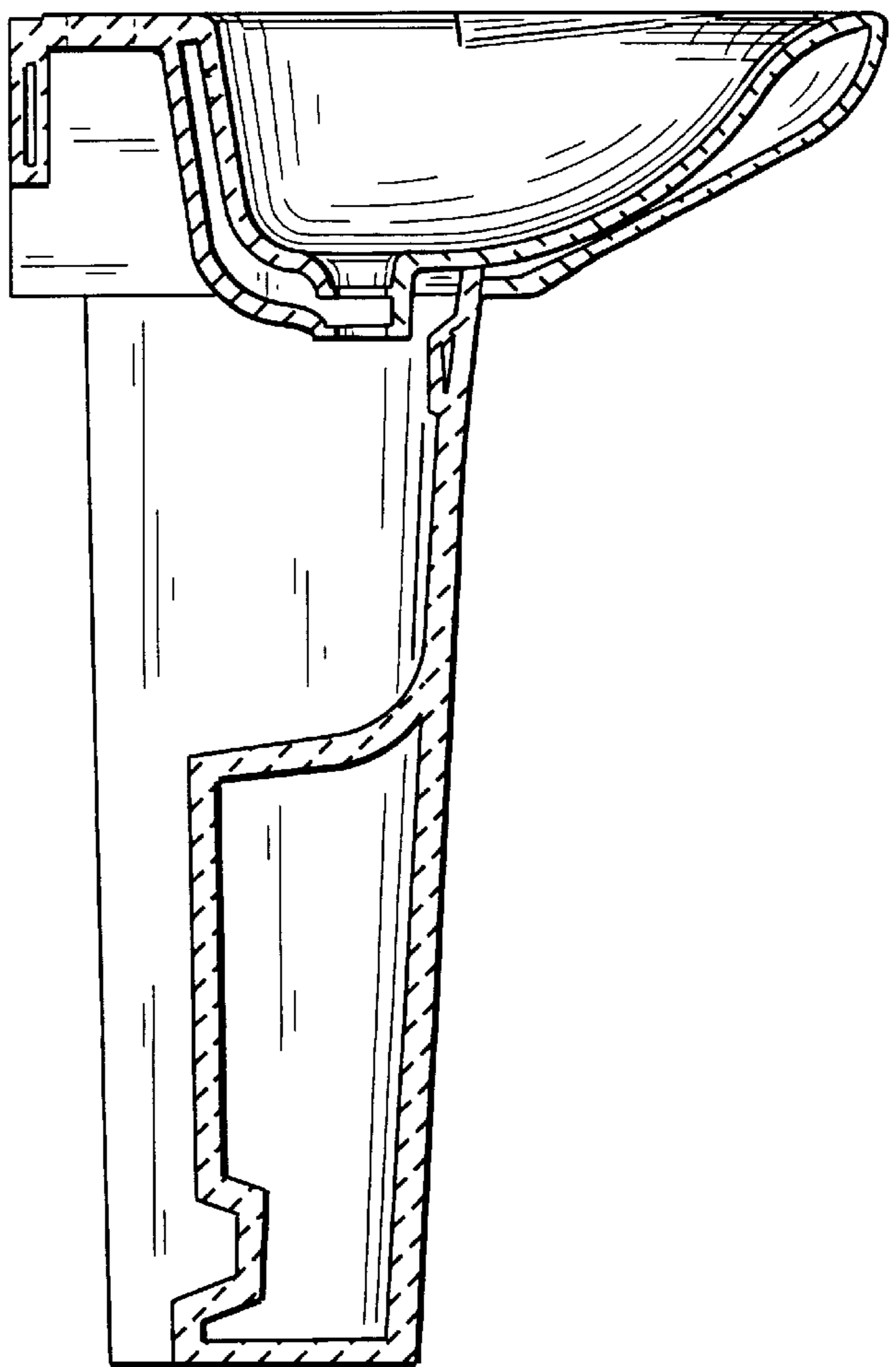


FIG. 6

