



US00D412556S

United States Patent [19]
Hsin-Fa

[11] **Patent Number: Des. 412,556**

[45] **Date of Patent: ** Aug. 3, 1999**

[54] **HORTICULTURE SPRAY SEAT**

OTHER PUBLICATIONS

[76] Inventor: **Wang Hsin-Fa**, P.O. Box 453,
Taichung, Taiwan

Nelson Lawn and Garden catalog; Item #1722 Sled Base; p.
16, 1986.

[**] Term: **14 Years**

Primary Examiner—Robin V. Taylor

[21] Appl. No.: **29/095,316**

[57] **CLAIM**

[22] Filed: **Oct. 19, 1998**

The ornamental design for a horticulture spray seat, as
shown.

[51] **LOC (6) Cl.** **23-01**

DESCRIPTION

[52] **U.S. Cl.** **D23/214; D23/214**

[58] **Field of Search** D23/213–216,
D23/221; 239/201, 273, 279, 240–242

FIG. 1 is a perspective view of horticulture spray seat
showing my design.

[56] **References Cited**

FIG. 2 is a front elevational view thereof;

FIG. 3 is a rear elevational view thereof;

FIG. 4 is a right elevational view thereof;

FIG. 5 is a left elevational view thereof;

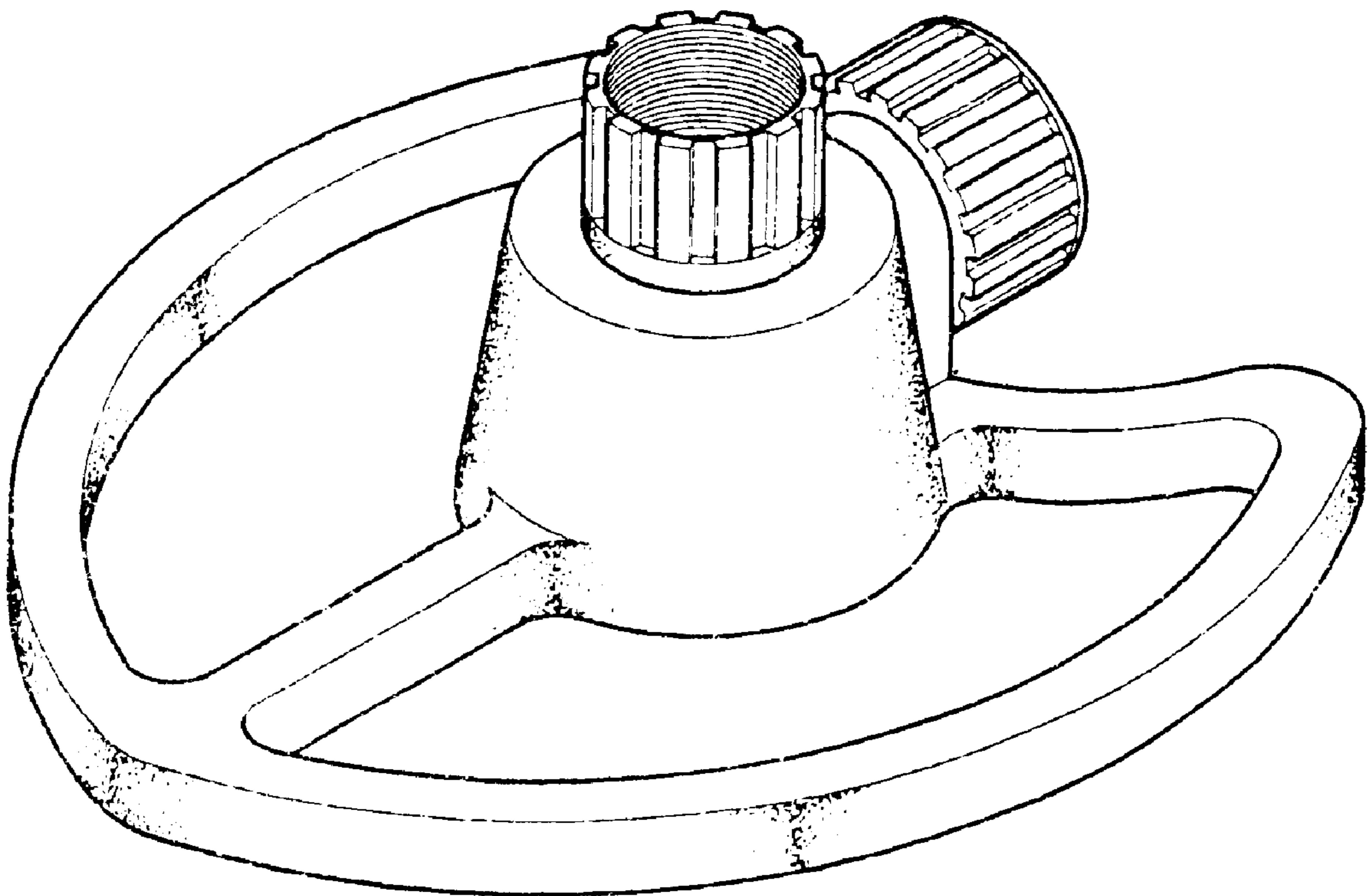
FIG. 6 is a top plan view thereof; and,

FIG. 7 is a bottom plan view thereof.

U.S. PATENT DOCUMENTS

D. 142,401	9/1945	Goggins	D23/221
D. 263,868	4/1982	Chow et al.	D23/221
D. 295,213	4/1988	Hattori	D23/221
D. 358,449	5/1995	Ford	D23/214
D. 378,399	3/1997	Simonetti et al.	D23/214
5,031,838	7/1991	Vydrzal	239/273

1 Claim, 4 Drawing Sheets



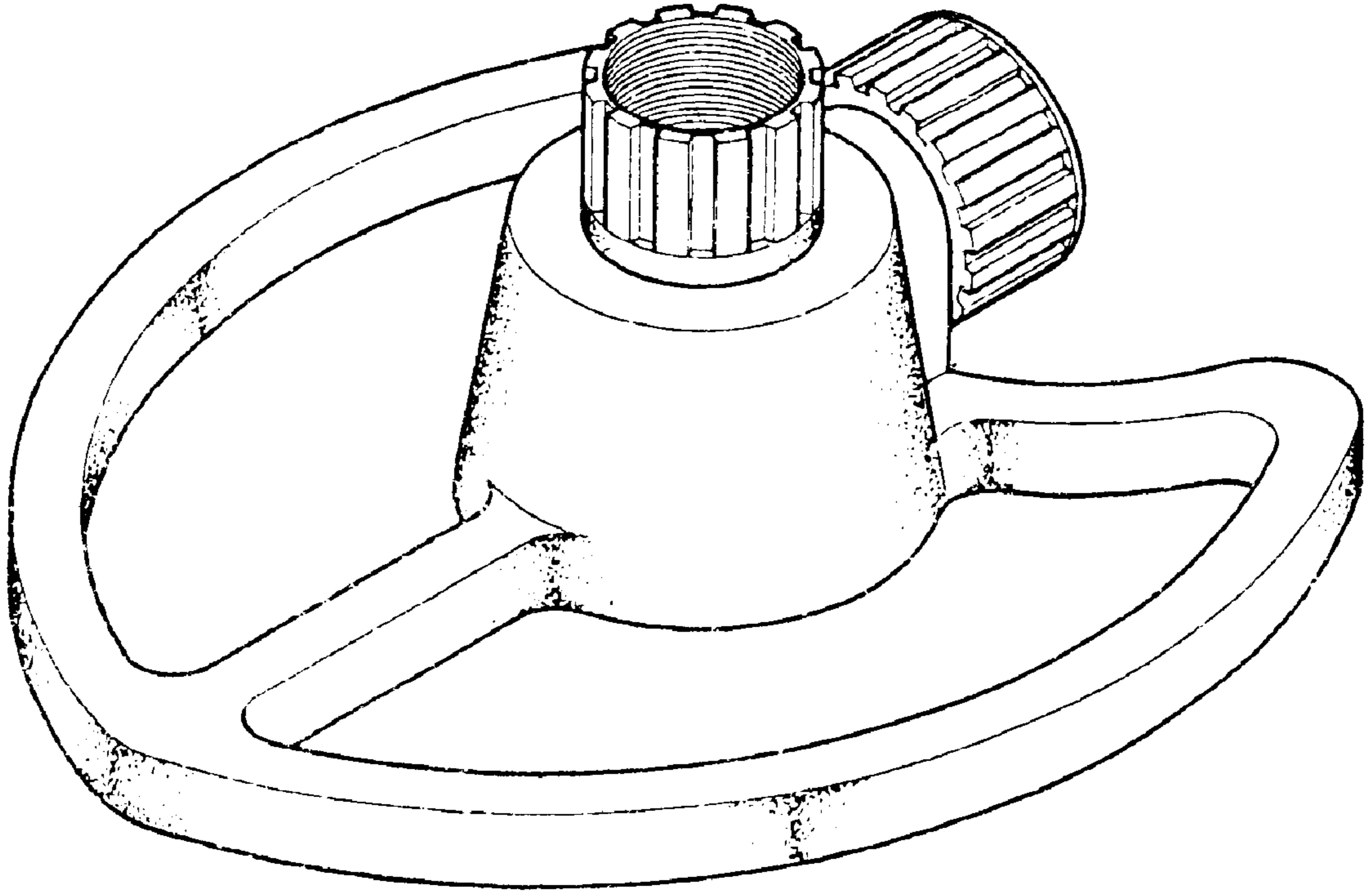


FIG.1

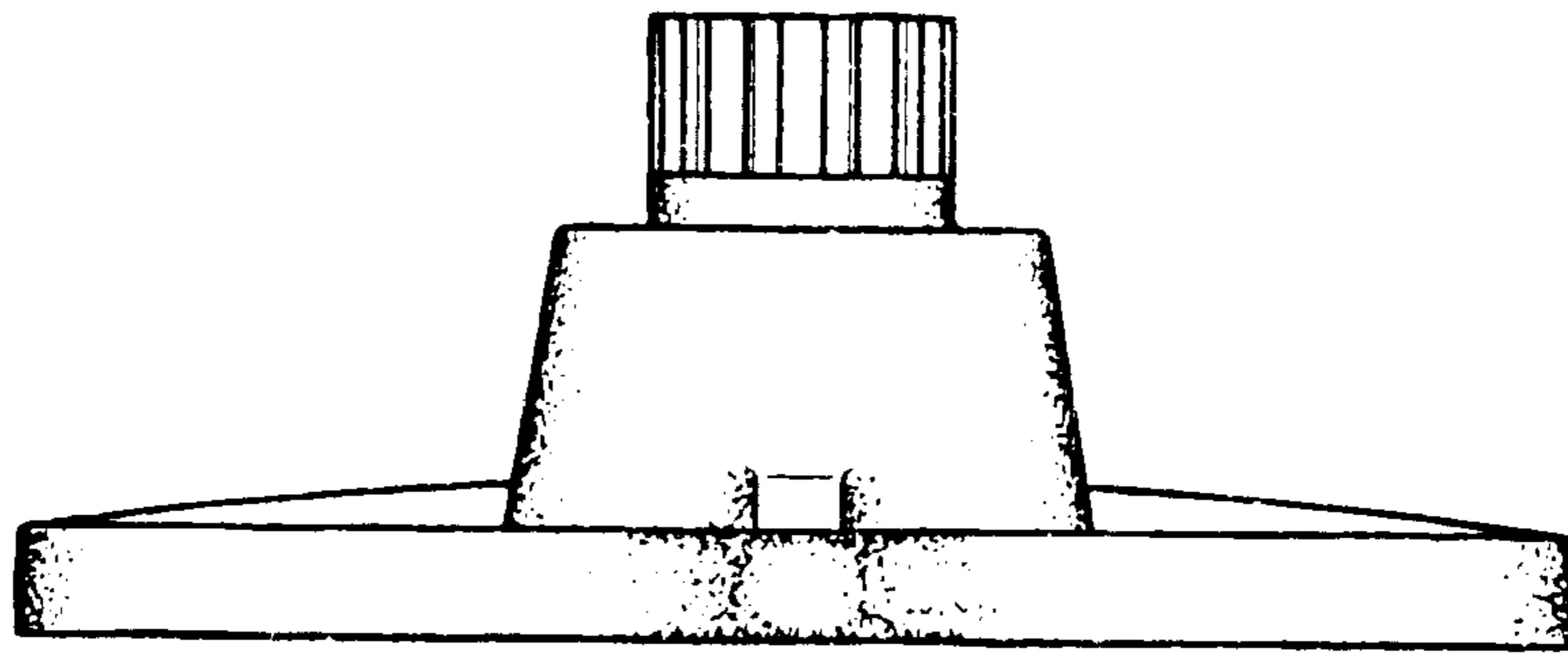


FIG. 2

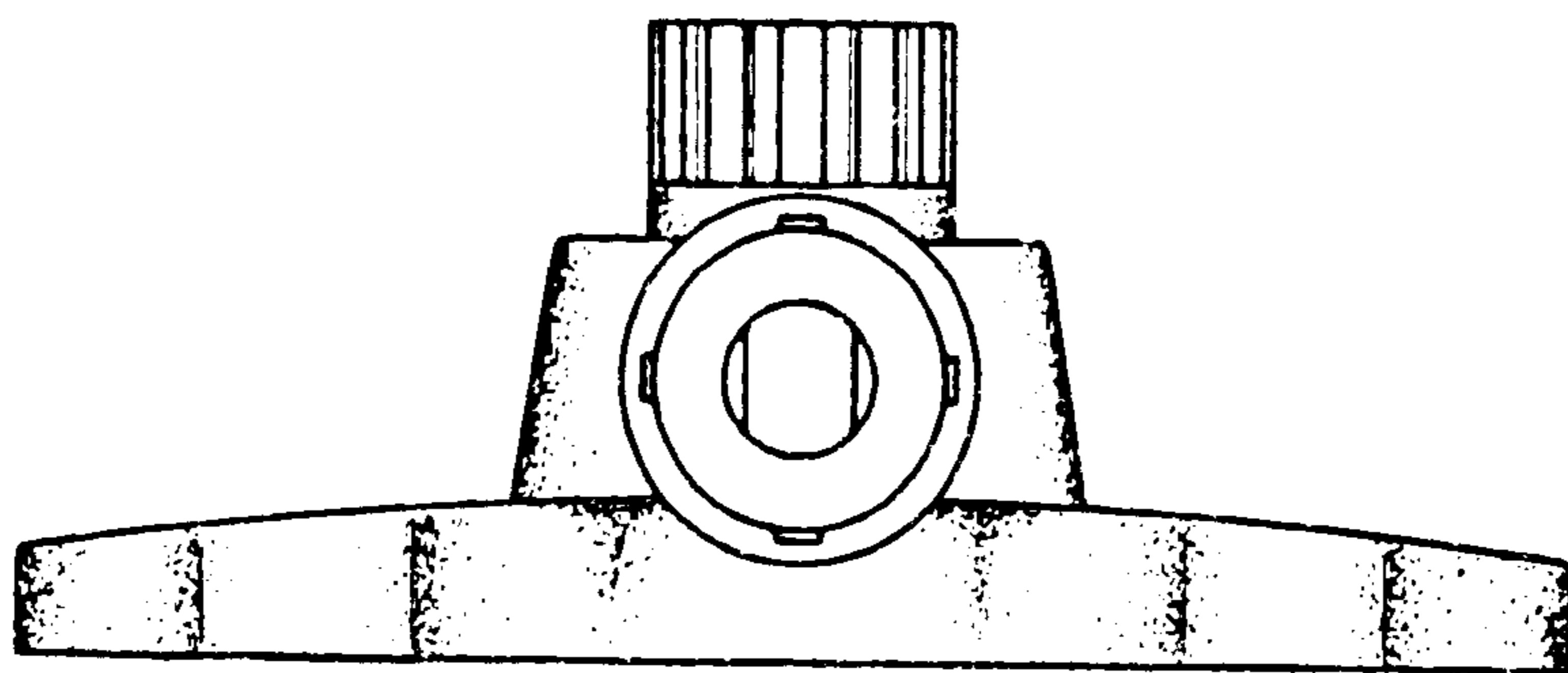


FIG. 3

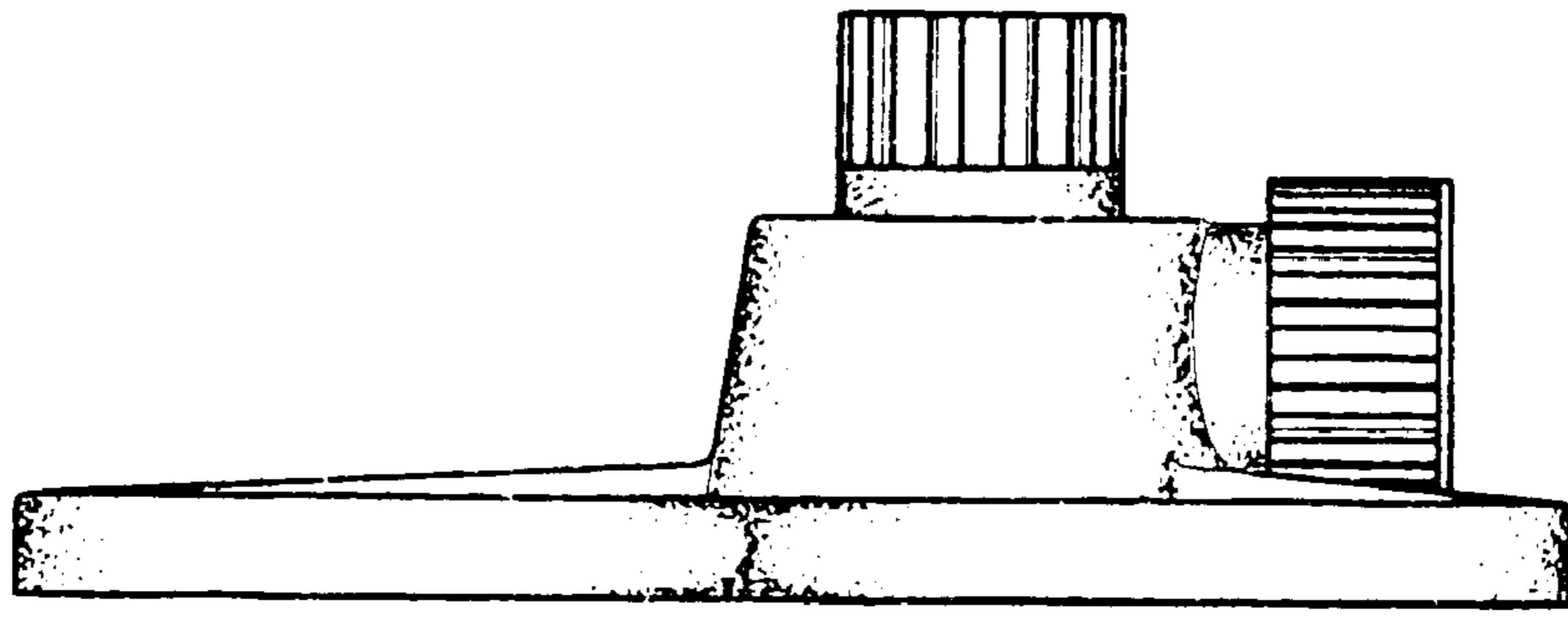


FIG. 4

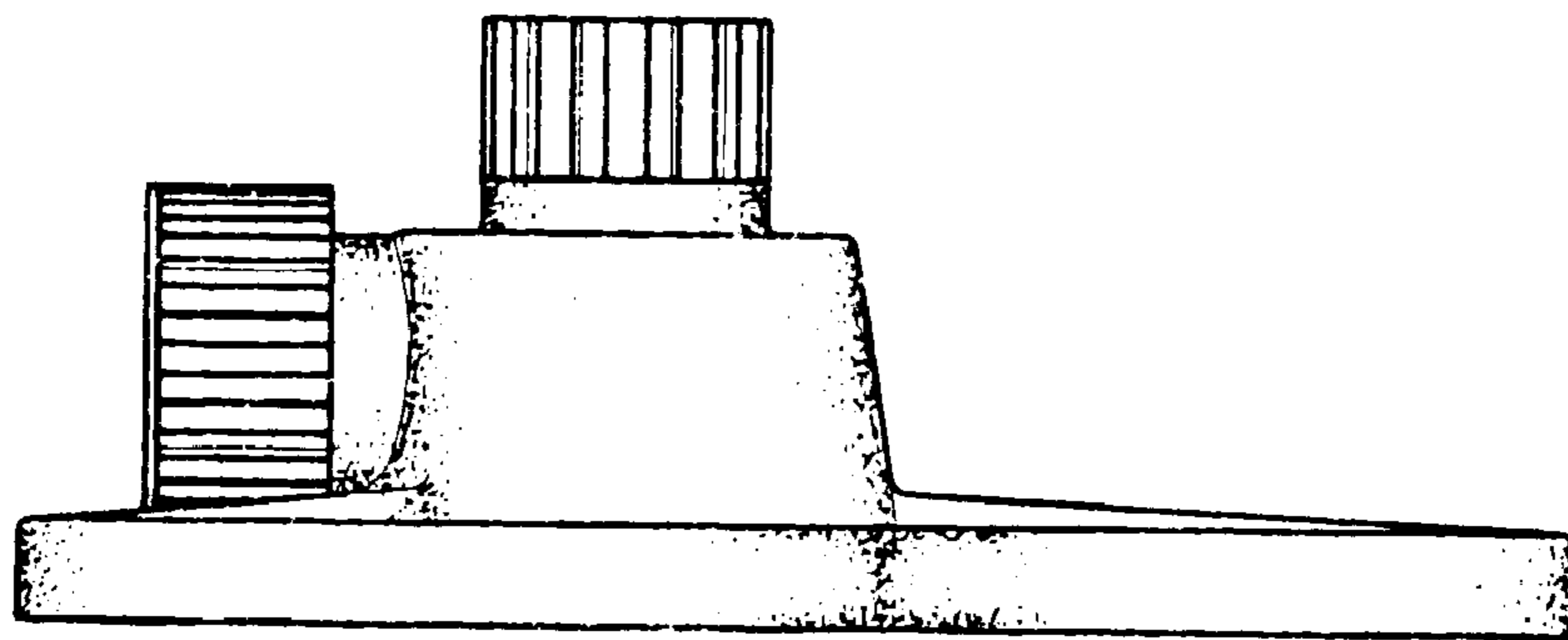


FIG. 5

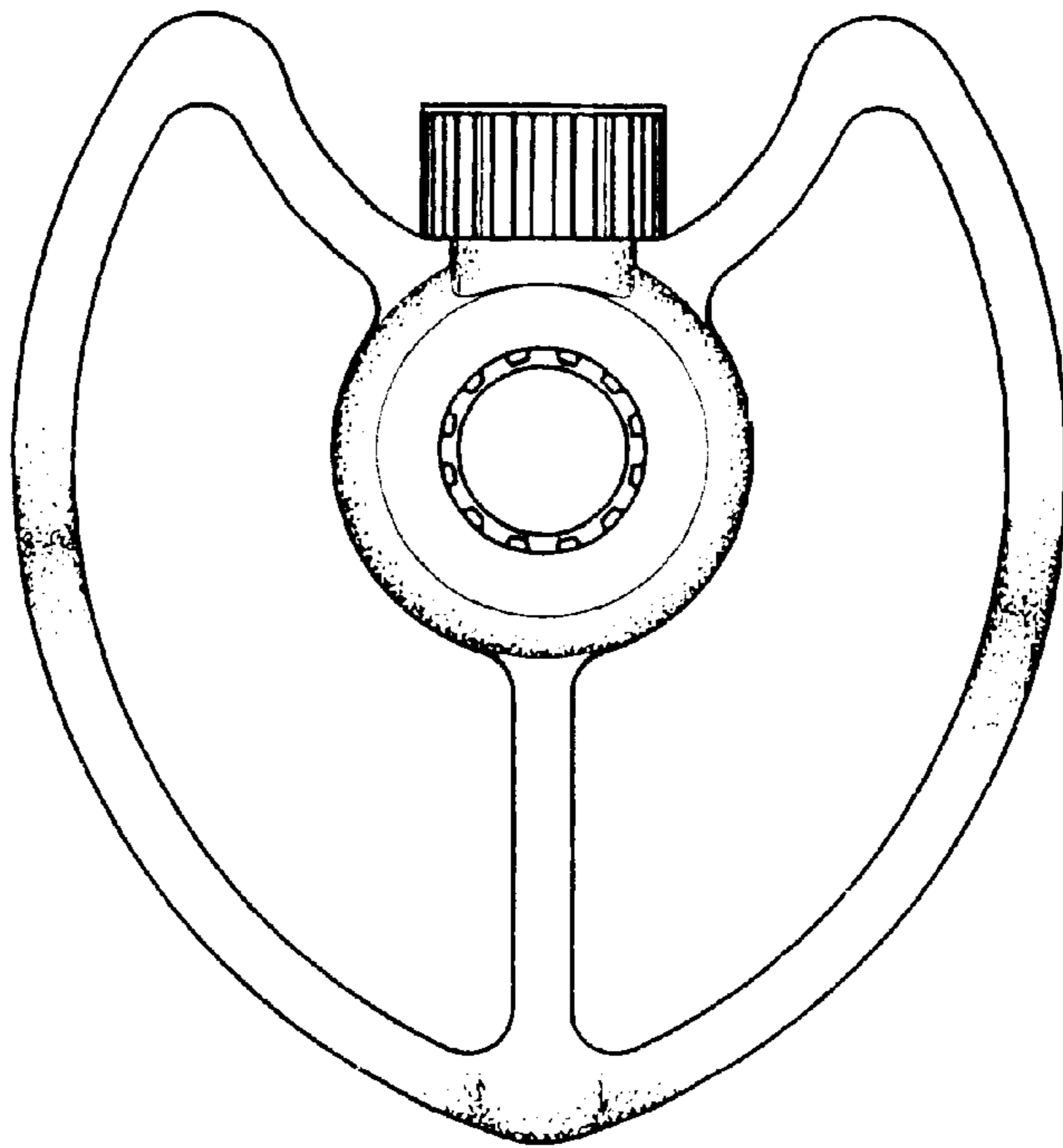


FIG. 6

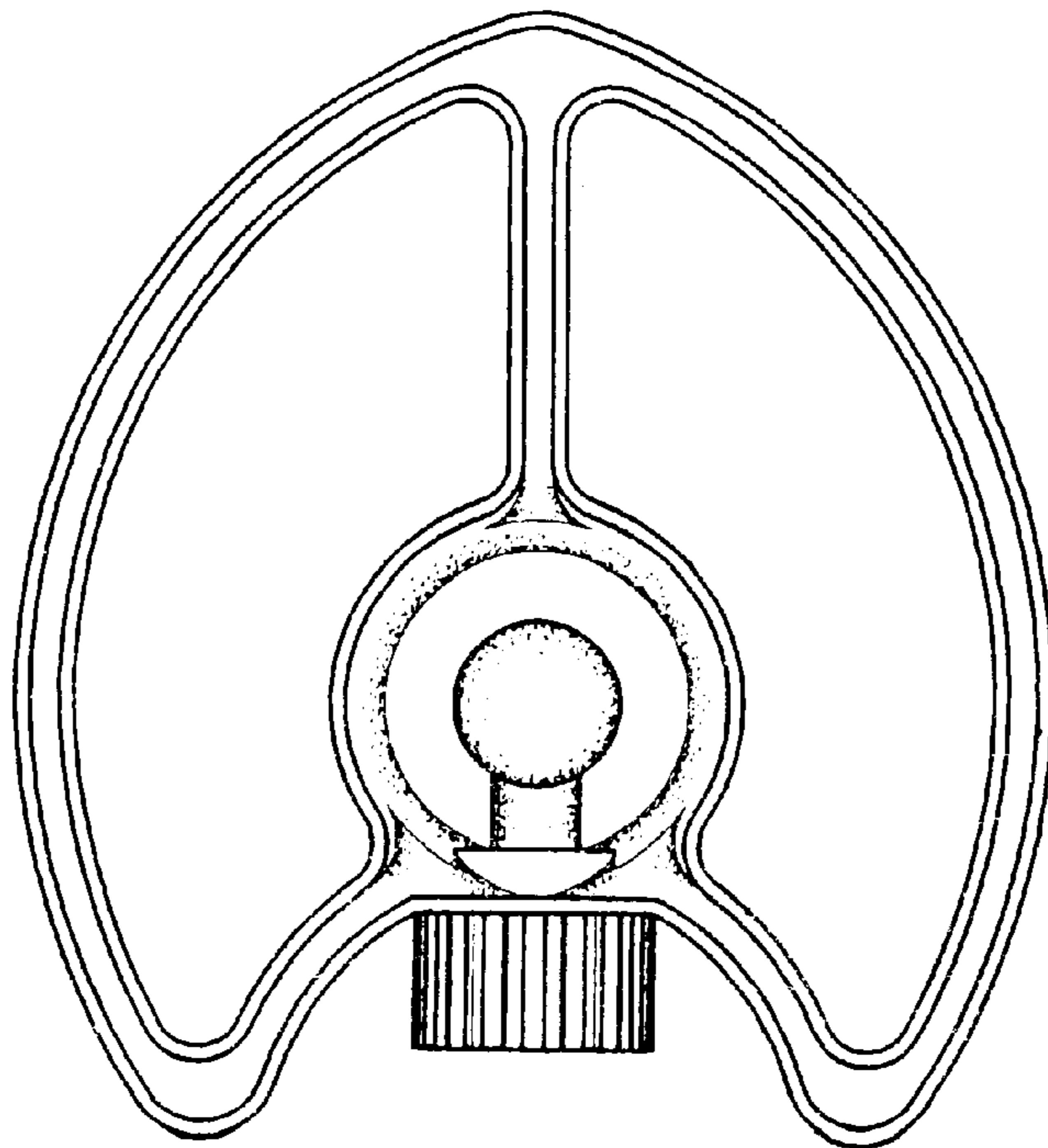


FIG. 7