



US00D412551S

United States Patent [19]

Smith et al.

[11] Patent Number: **Des. 412,551**

[45] Date of Patent: **** Aug. 3, 1999**

[54] **END CAP FOR A CYLINDRICAL FILTER**

[75] Inventors: **Karl S. Smith**, Portsmouth; **Roger A. Buttery**, Petersfield; **Richard G. Gutman**, Chichester, all of United Kingdom

[73] Assignee: **Pall Corporation**, East Hills, N.Y.

[**] Term: **14 Years**

[21] Appl. No.: **29/053,866**

[22] Filed: **May 1, 1996**

[30] **Foreign Application Priority Data**

Nov. 2, 1995 [GB] United Kingdom 2051590

[51] **LOC (6) Cl.** **23-01**

[52] **U.S. Cl.** **D23/209**

[58] **Field of Search** D23/200, 207-209; 210/232, 238, 282, 264, 464, 416.3

[56] **References Cited**

U.S. PATENT DOCUMENTS

D. 294,167 2/1988 Meissner D23/209
D. 320,062 9/1991 Meissner D23/209

D. 321,745 11/1991 Murrell D23/209
D. 322,836 12/1991 Petrucci et al. D23/209
2,709,524 5/1955 Russell et al. 210/131
4,126,559 11/1978 Cooper 210/445
4,629,557 12/1986 Tobias 210/90
4,834,885 5/1989 Misgen et al. 210/440
4,969,994 11/1990 Misgen et al. 210/232
5,035,798 7/1991 Stenger 210/282

Primary Examiner—Alan P. Douglas
Assistant Examiner—Robin V. Taylor
Attorney, Agent, or Firm—Leydig, Voit & Mayer, Ltd.

[57] **CLAIM**

The ornamental design for an end cap for a cylindrical filter, as shown and described.

DESCRIPTION

FIG. 1 is a top front perspective view of the end cap, the right and left side top perspective views being identical to FIG. 1.

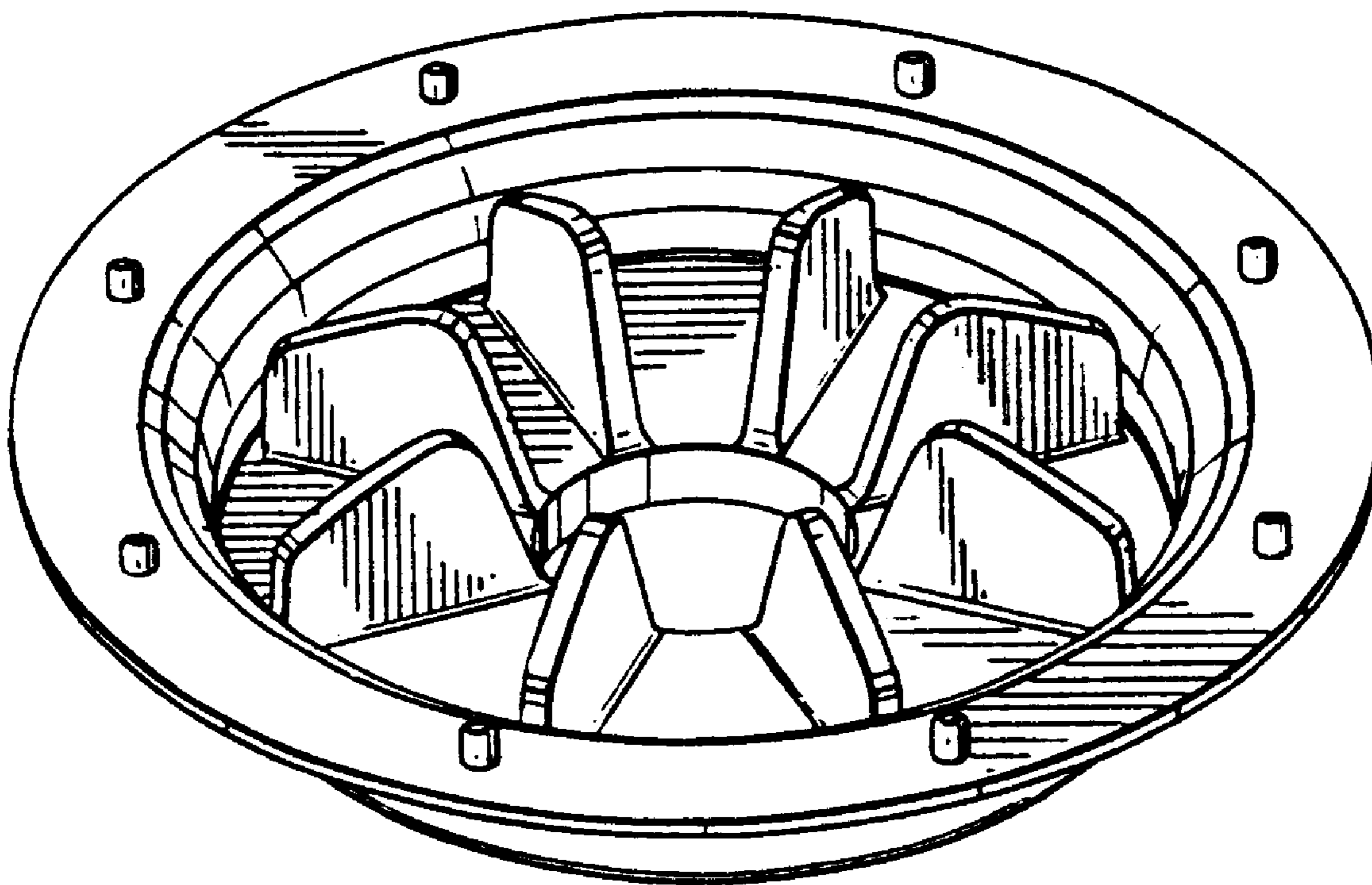
FIG. 2 is a bottom rear perspective view of the end cap.

FIG. 3 is a side view of the end cap.

FIG. 4 is a top view of the end cap; and,

FIG. 5 is a bottom view of the end cap.

1 Claim, 2 Drawing Sheets



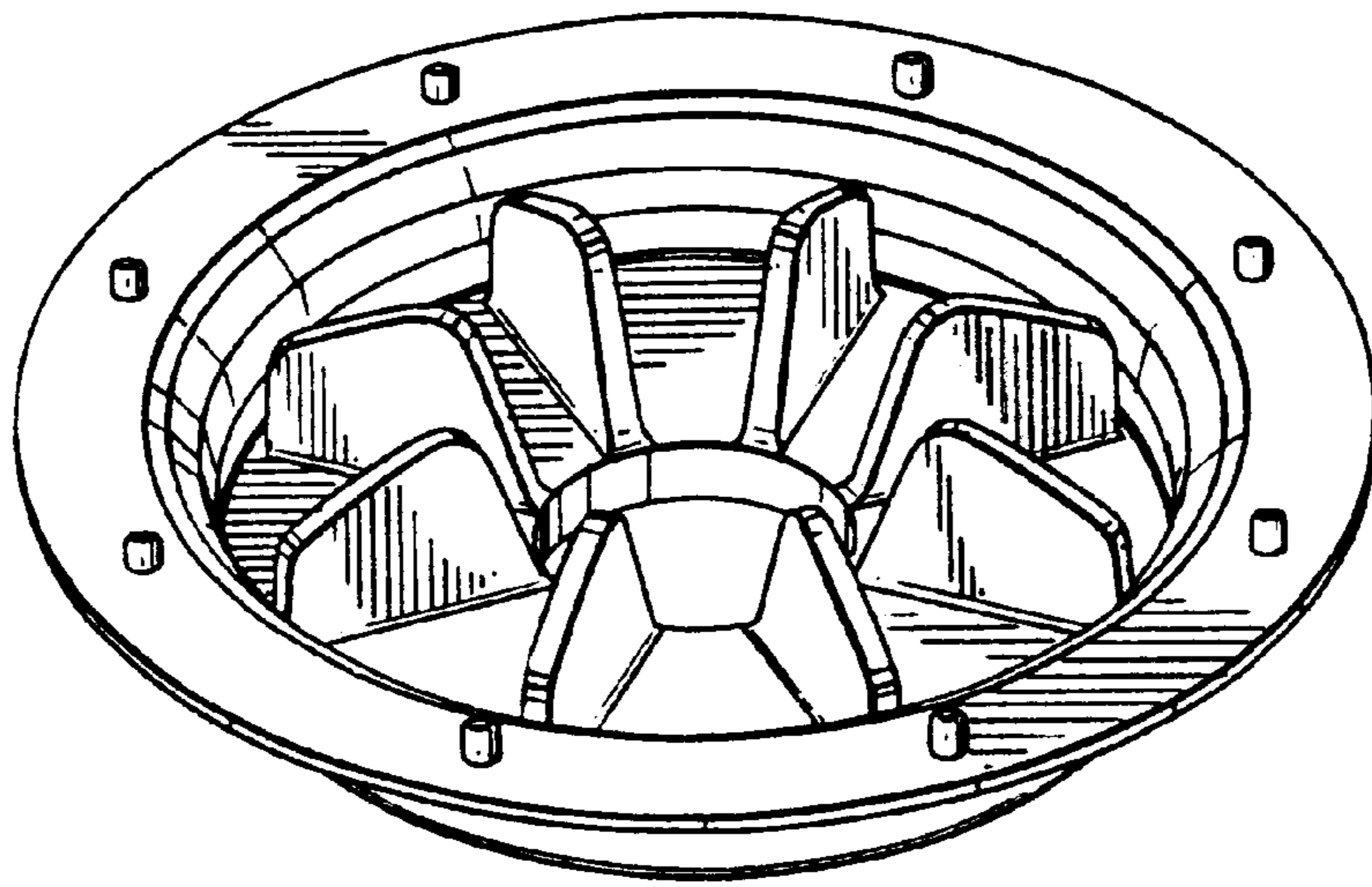


Fig.1

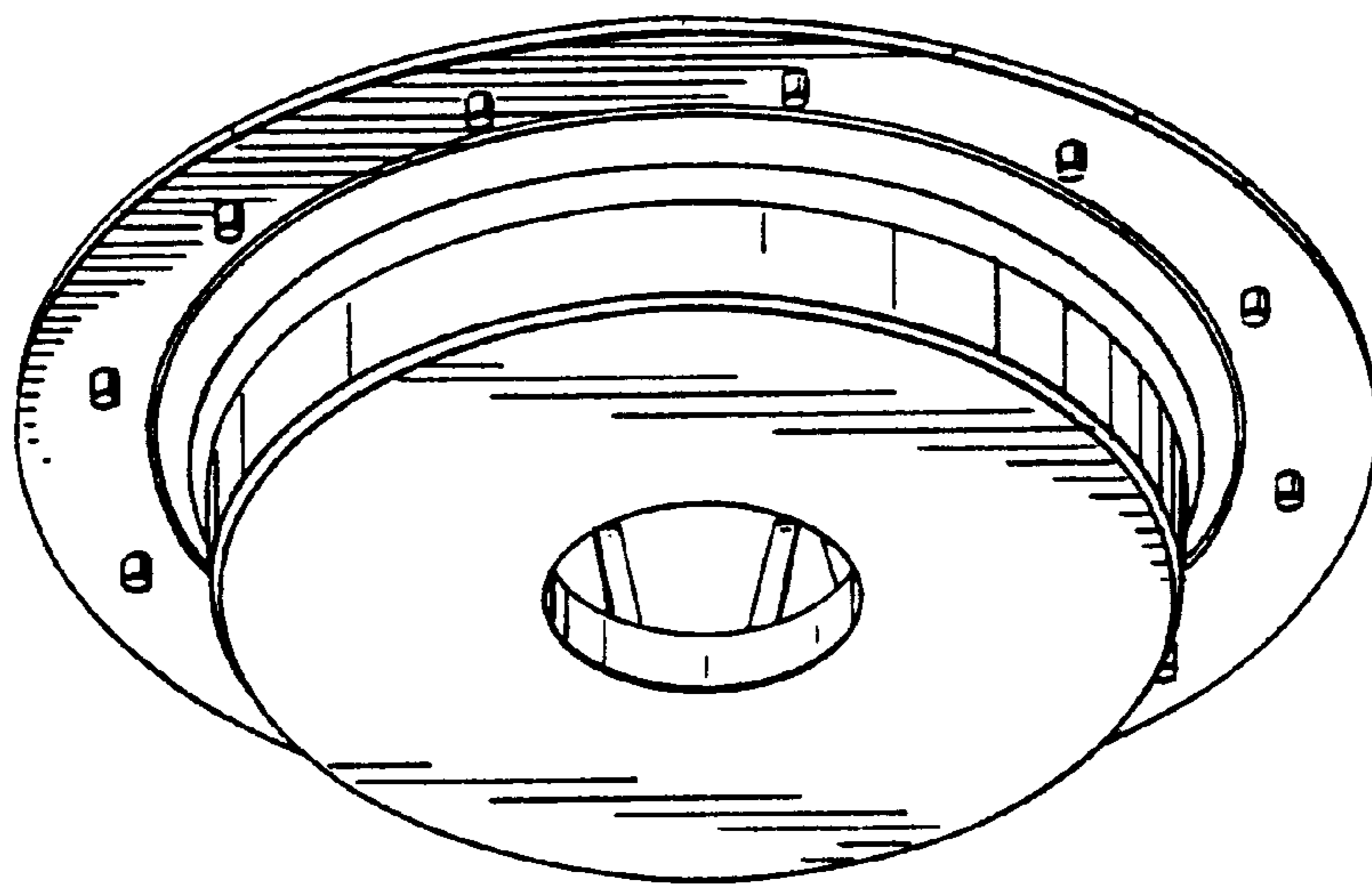


Fig.2

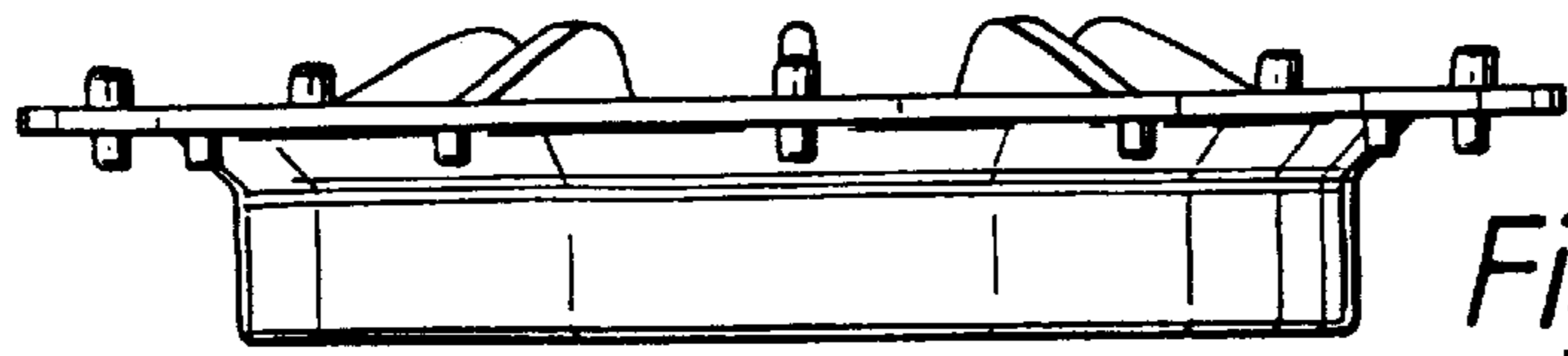


Fig.3

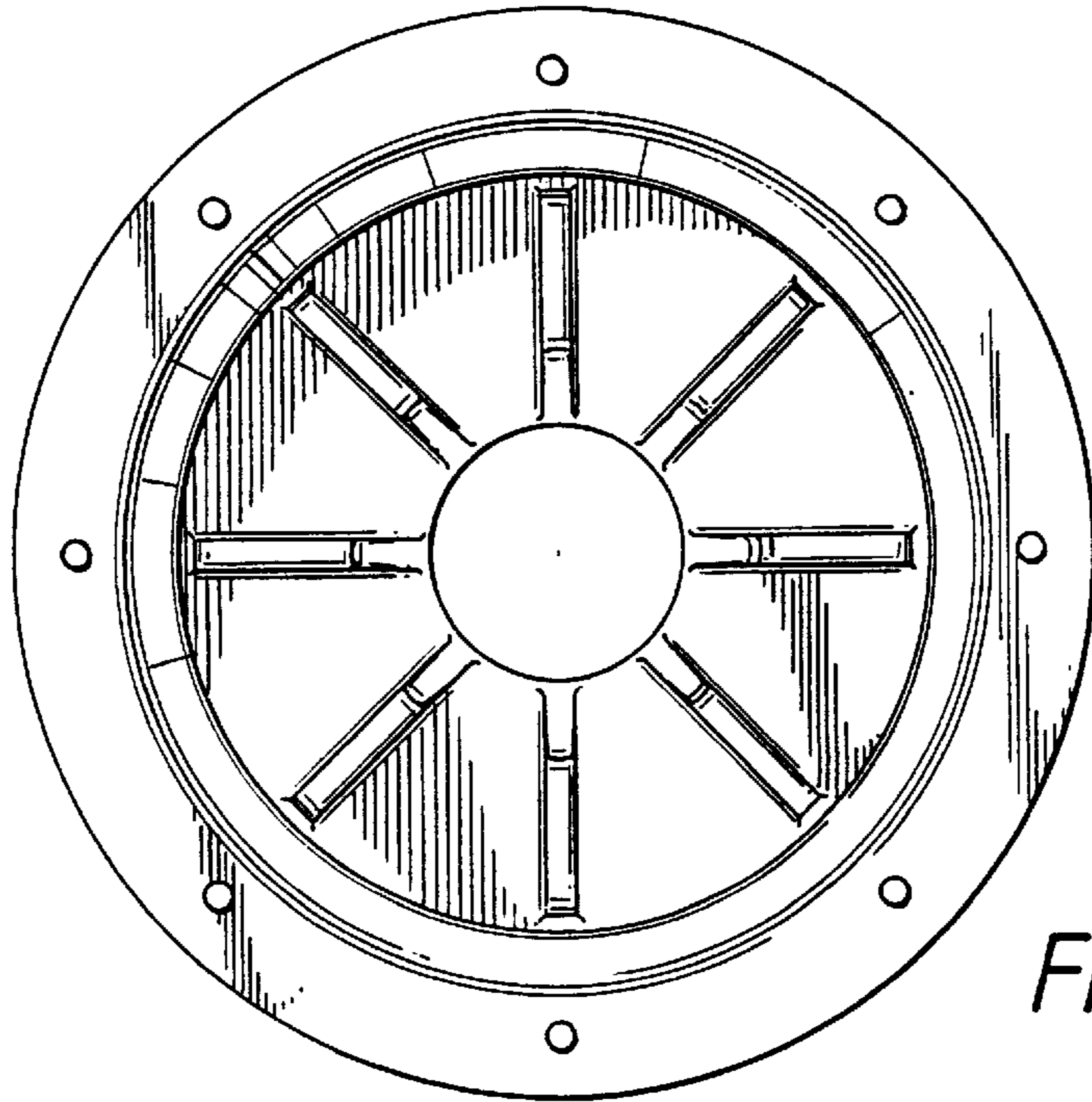


Fig.4

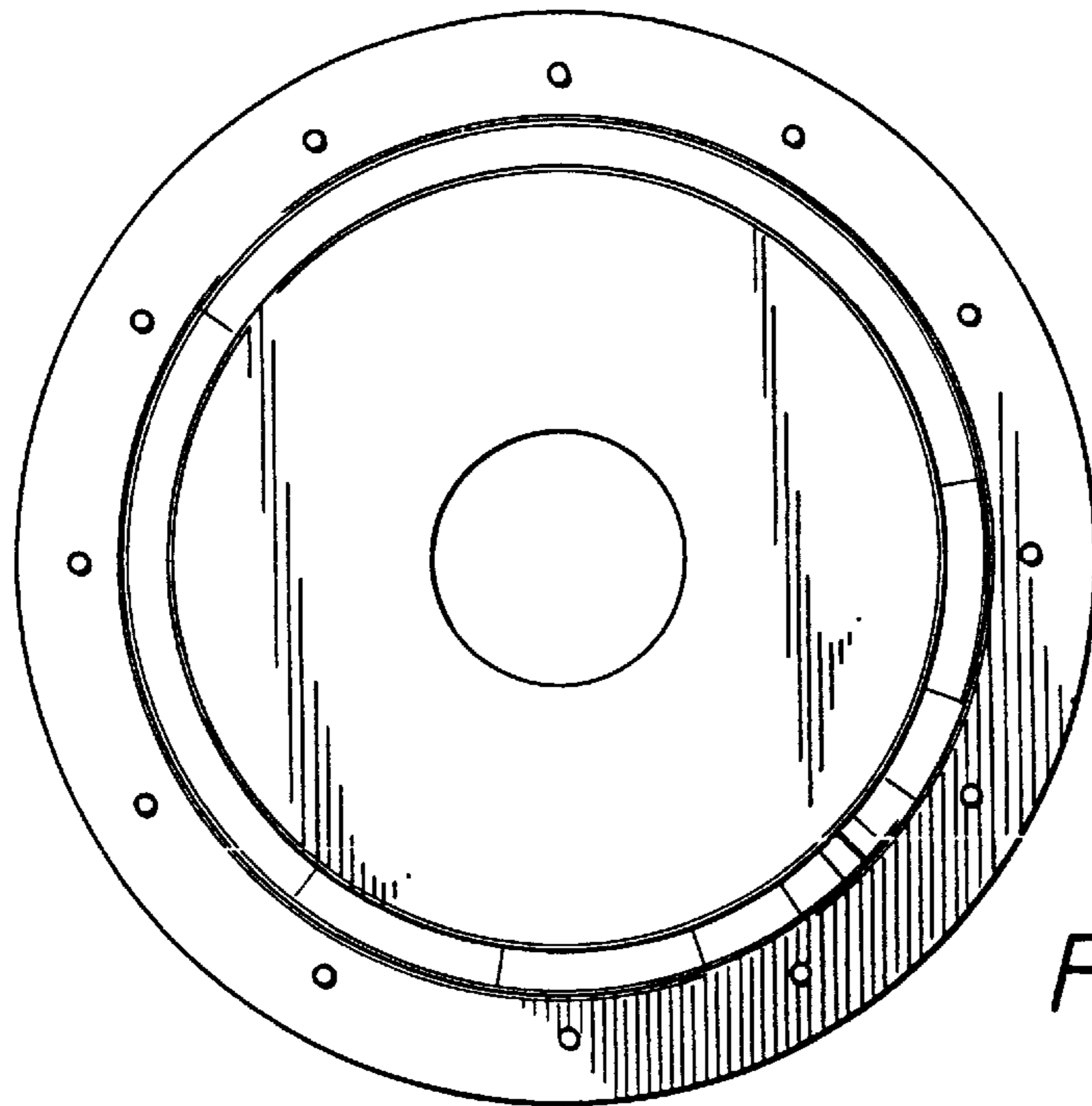


Fig.5