



US00D412549S

United States Patent [19]

Redhead et al.

[11] Patent Number: **Des. 412,549**

[45] Date of Patent: **** Aug. 3, 1999**

[54] SEQUENCING VALVE

D. 309,175 7/1990 Hastings et al. D23/245

[75] Inventors: **Gary Redhead**, East Peoria, Ill.;
Thomas R. Kruer, Edgewood, Ky.;
Kenneth J. Bruninga, Mapleton, Ill.

Primary Examiner—Robin V. Taylor
Attorney, Agent, or Firm—Mayer, Brown & Platt

[73] Assignee: **L. R. Nelson**, Peoria, Ill.

[57] **CLAIM**

[**] Term: **14 Years**

The ornamental design for a sequencing valve, as shown and described.

[21] Appl. No.: **29/091,867**

DESCRIPTION

[22] Filed: **Aug. 7, 1998**

FIG. 1 is a perspective view of a sequencing valve showing our new design;

[51] **LOC (6) Cl.** **23-01**

FIG. 2 is a top plan view thereof;

[52] **U.S. Cl.** **D22/233**

FIG. 3 is a right side elevational view showing our new design;

[58] **Field of Search** D23/233-237,
D23/245; 137/625, 625.11, 625.41

FIG. 4 is a bottom plan view thereof;

FIG. 5 is a rear elevational view thereof; and,

FIG. 6 is a front elevation view thereof.

[56] **References Cited**

The left side view is omitted as symmetrical to the right side view.

U.S. PATENT DOCUMENTS

D. 263,069 2/1982 Chow et al. D23/233

D. 271,421 11/1983 Fetterman D23/233

1 Claim, 2 Drawing Sheets

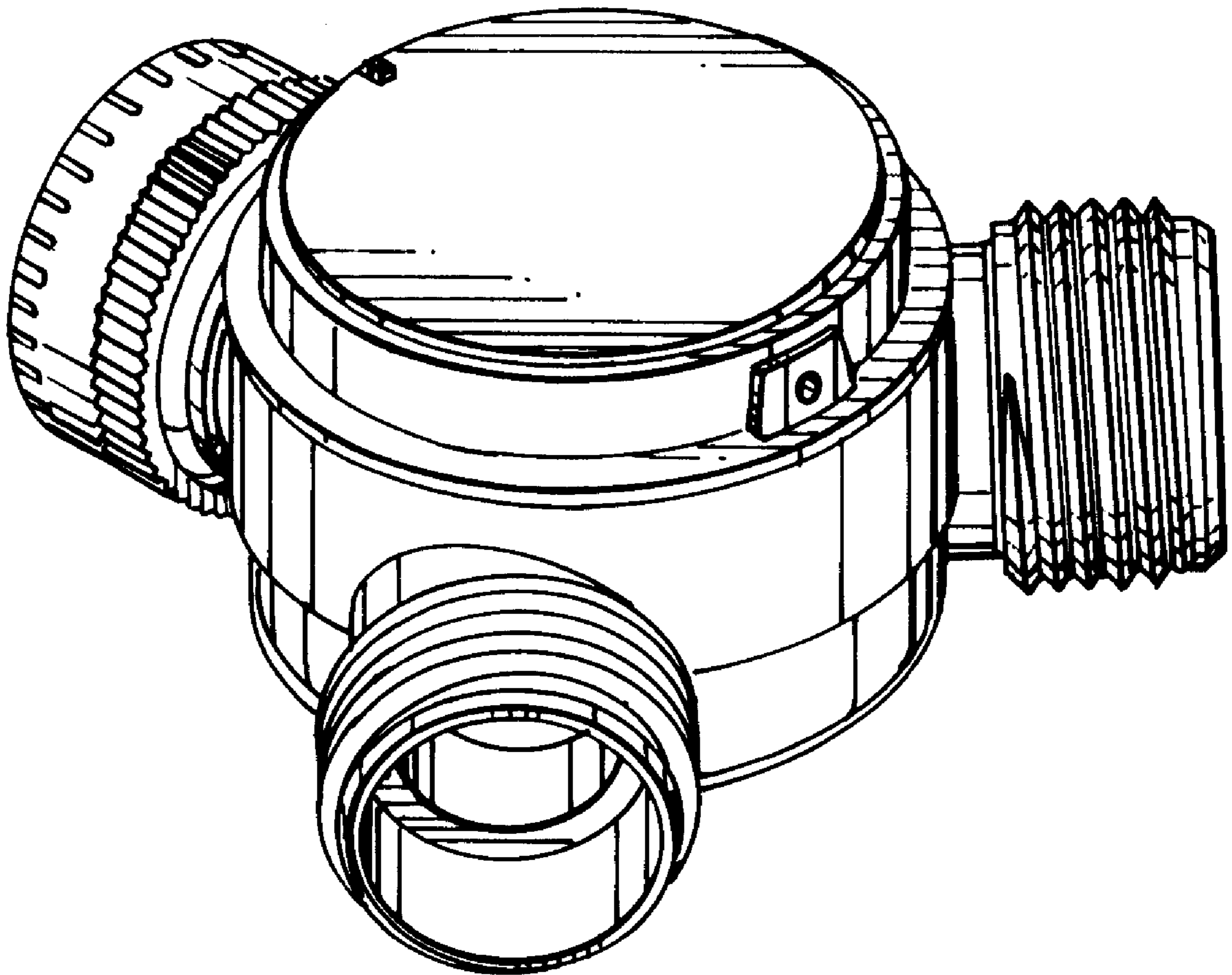


FIG. 1

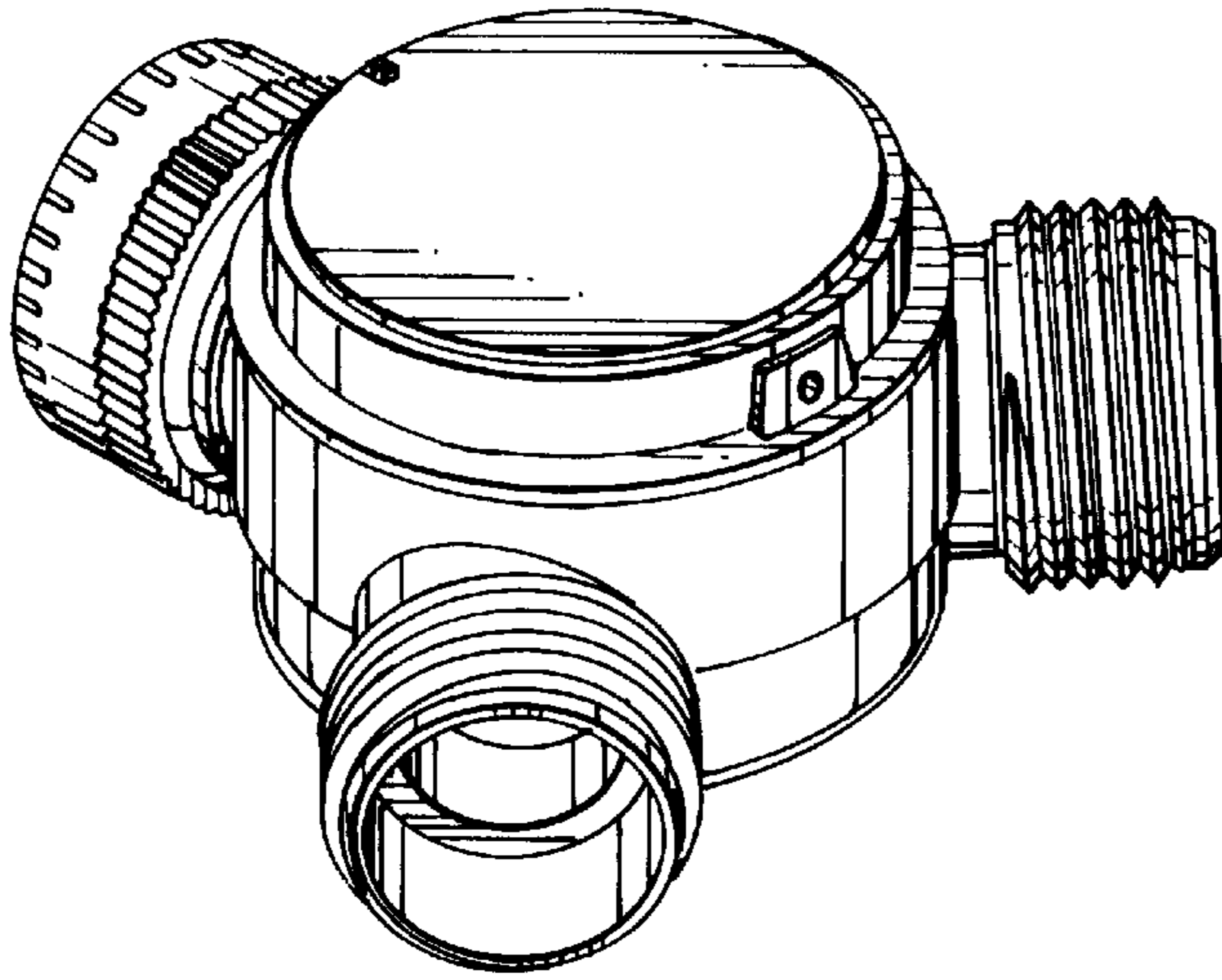


FIG. 2

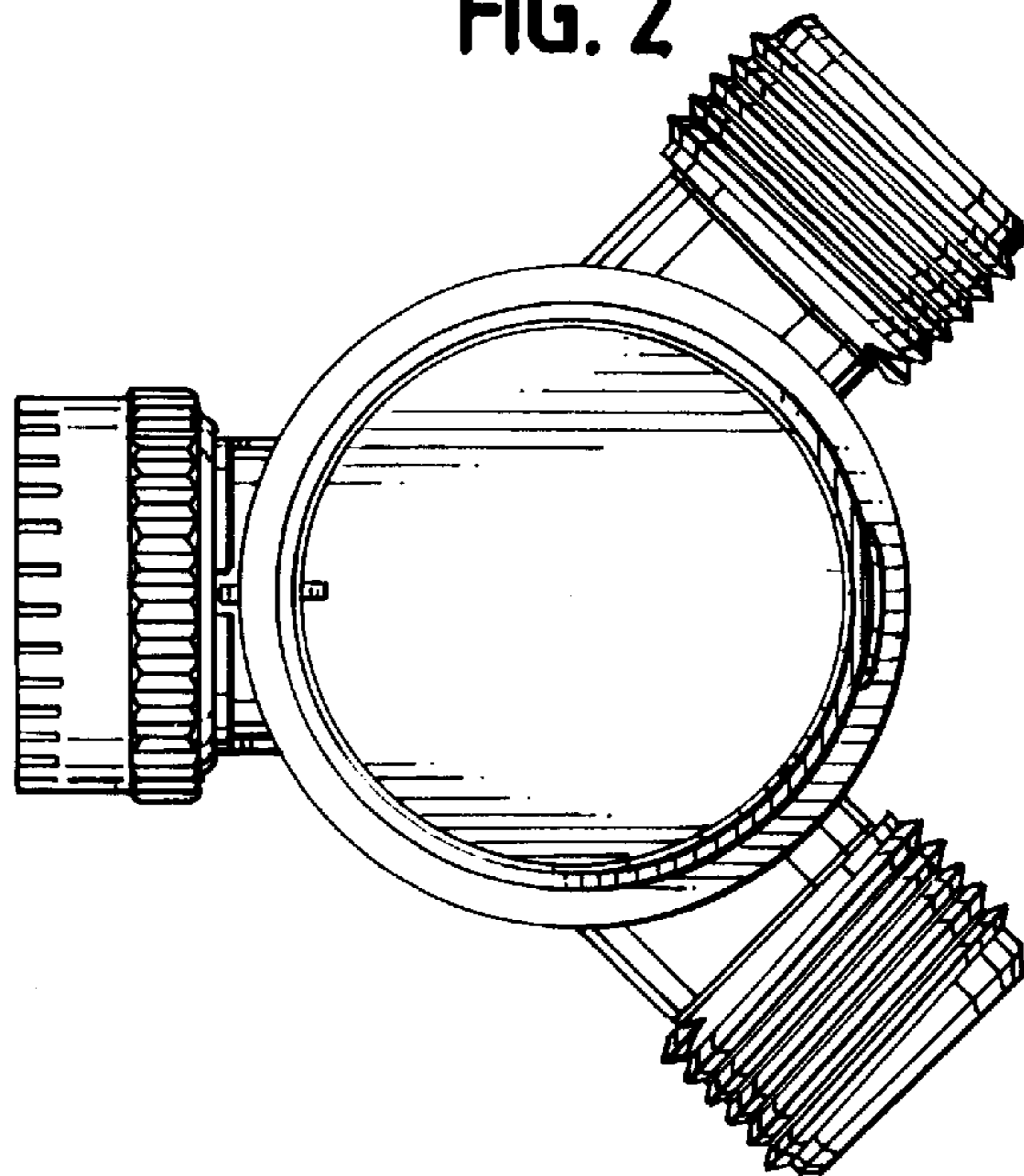


FIG. 3

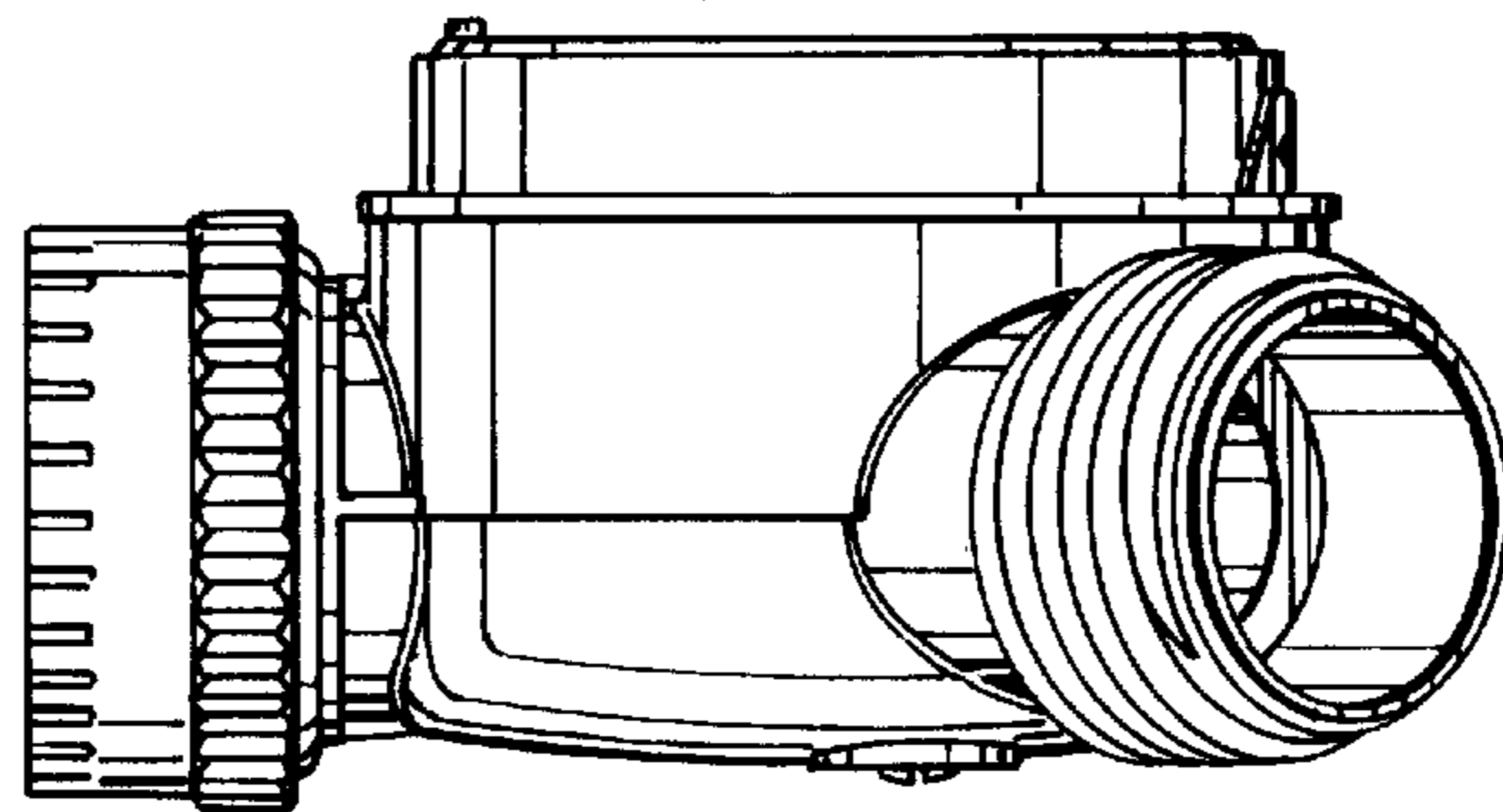


FIG. 4

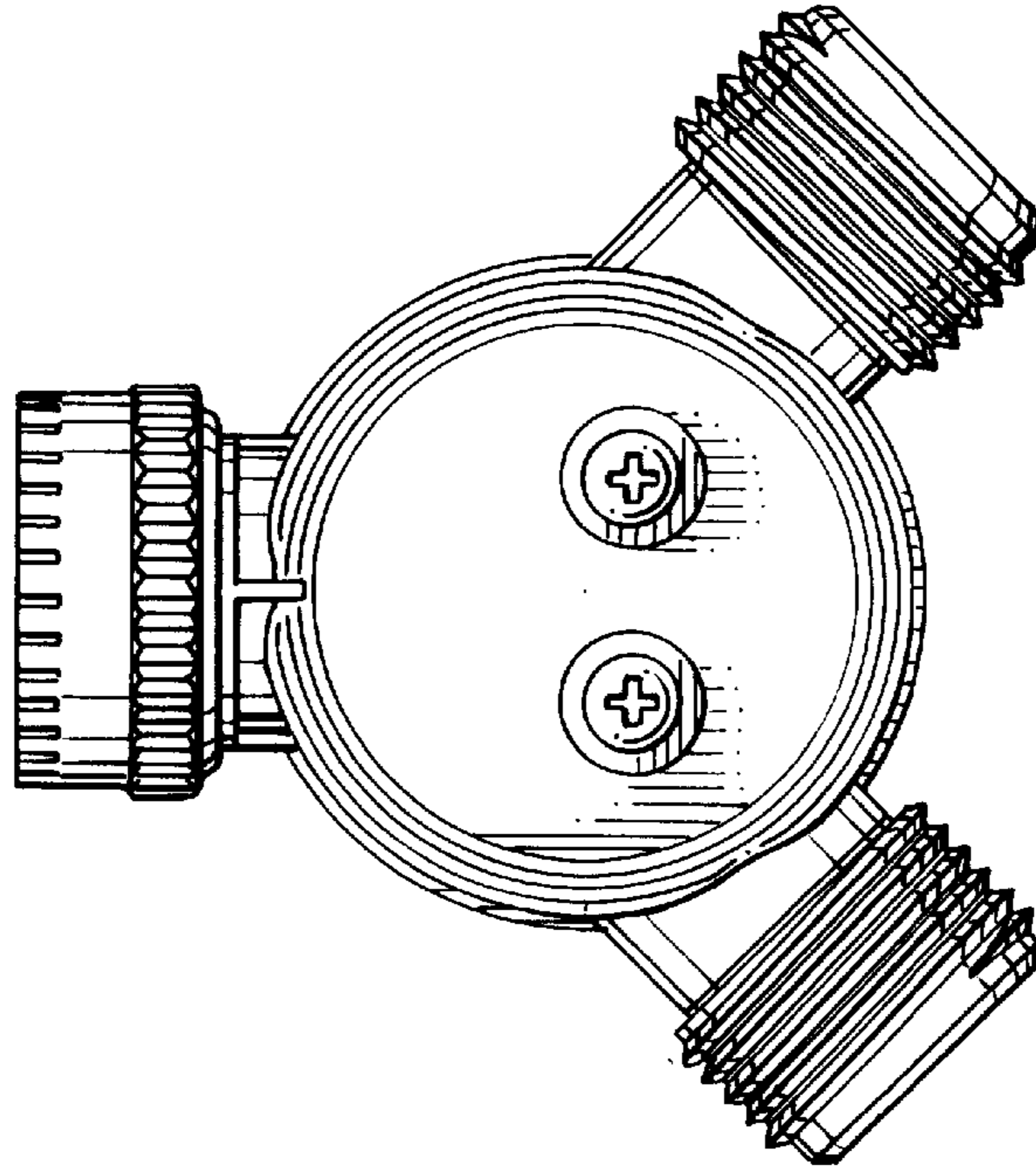


FIG. 5

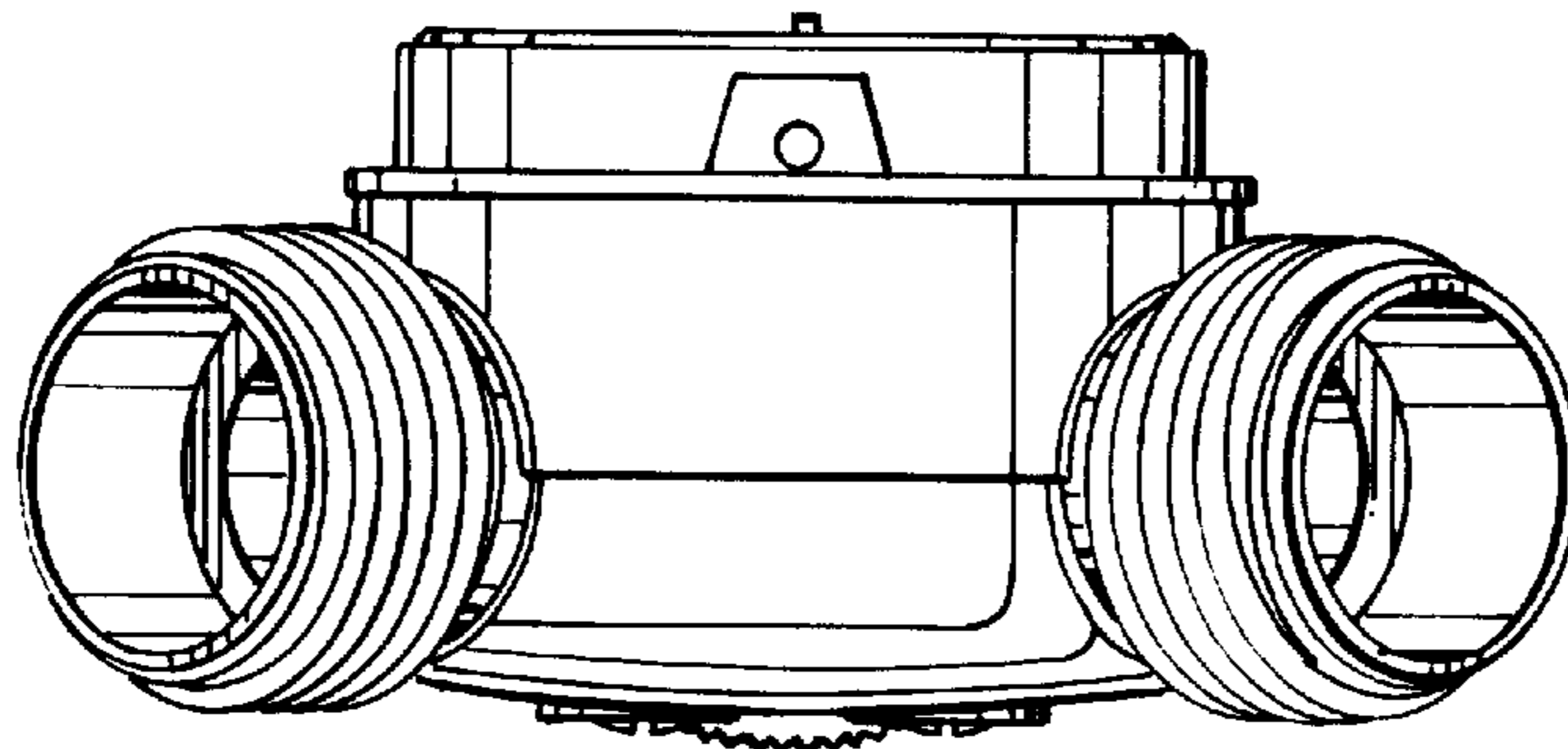


FIG. 6

