



US00D412548S

# United States Patent [19] Simpson, Sr.

[11] Patent Number: Des. 412,548

[45] Date of Patent: \*\* Aug. 3, 1999

[54] REAR BOW SIGHT

[76] Inventor: David W. Simpson, Sr., 3381 East Rd.,  
Loxahatchee, Fla. 33470

[\*\*] Term: 14 Years

[21] Appl. No.: 29/100,542

[22] Filed: Feb. 12, 1999

[51] LOC (6) Cl. .... 22-01

[52] U.S. Cl. .... D22/107; D22/100; D22/199

[58] Field of Search ..... D22/100, 107,  
D22/199; 33/241, 265, DIG. 13; 124/86,  
87, 88

[56] **References Cited**

U.S. PATENT DOCUMENTS

D. 260,417	8/1981	Siekman .....	D22/107
3,715,807	2/1973	Heffer .	
4,535,544	8/1985	Jones et al. .	
4,587,945	5/1986	Little .....	124/88
4,910,874	3/1990	Busch .....	124/87
4,915,088	4/1990	Powers .	
4,984,372	1/1991	Blizzard .....	33/265
5,025,565	6/1991	Stenerson et al. .	
5,040,301	8/1991	Forbis .	
5,131,153	7/1992	Seales .	
5,220,907	6/1993	Lonsdale .	
5,255,440	10/1993	Rogers .	

5,425,177	6/1995	Pacenti .	
5,464,003	11/1995	Sherman .....	124/87
5,524,351	6/1996	Pinson et al. .	
5,671,724	9/1997	Priebe .	
5,749,352	5/1998	McFarlin .....	124/87
5,802,726	9/1998	Trosper, Jr. et al. .	

Primary Examiner—Louis S. Zarfes  
Assistant Examiner—Monica A. Weingart  
Attorney, Agent, or Firm—Quarles & Brady LLP

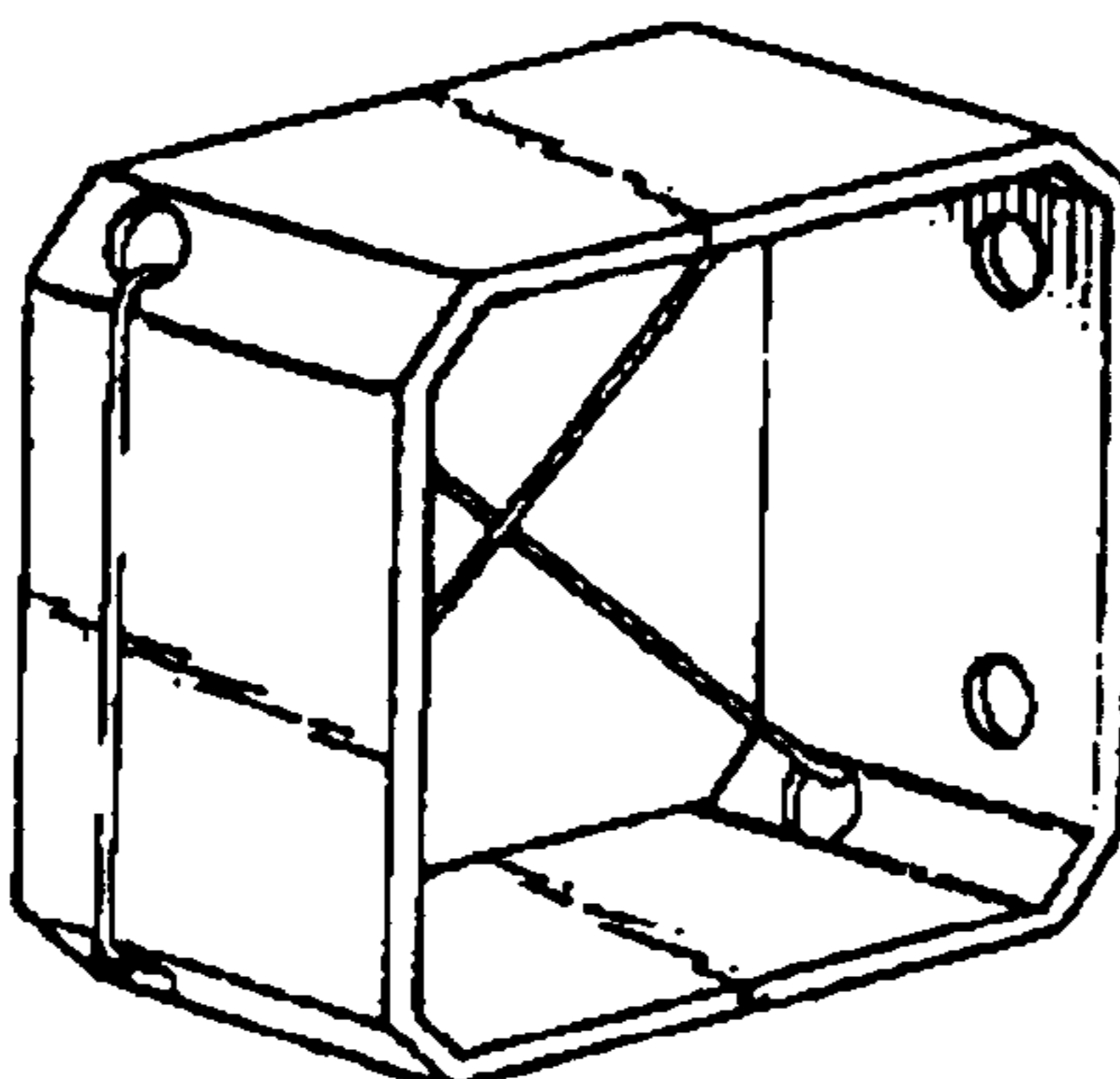
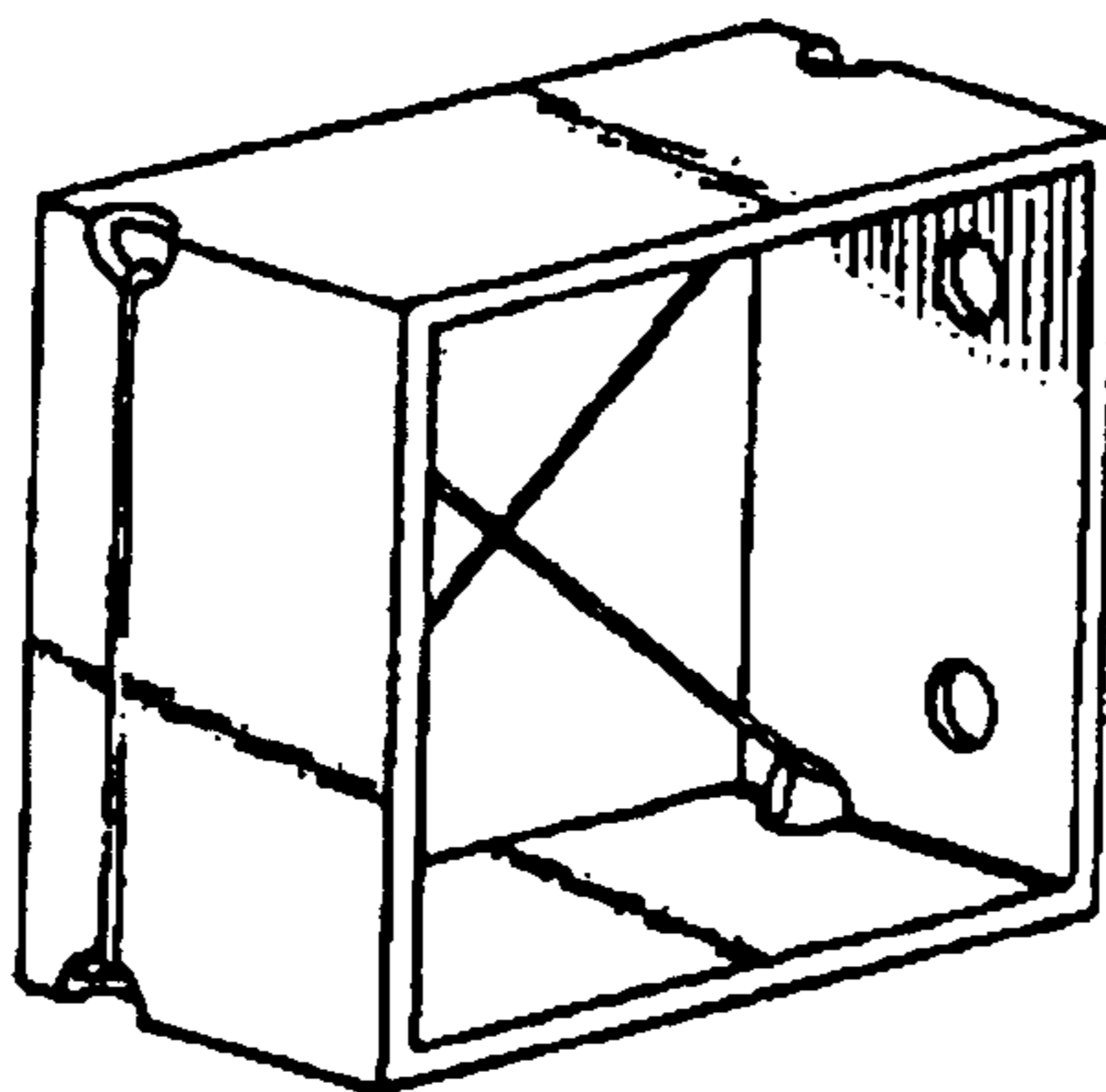
[57] **CLAIM**

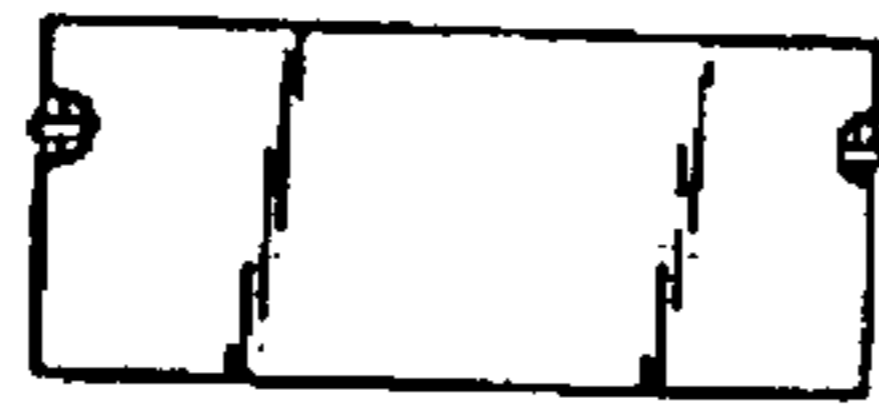
An ornamental design for a rear bow sight, as shown and described.

**DESCRIPTION**

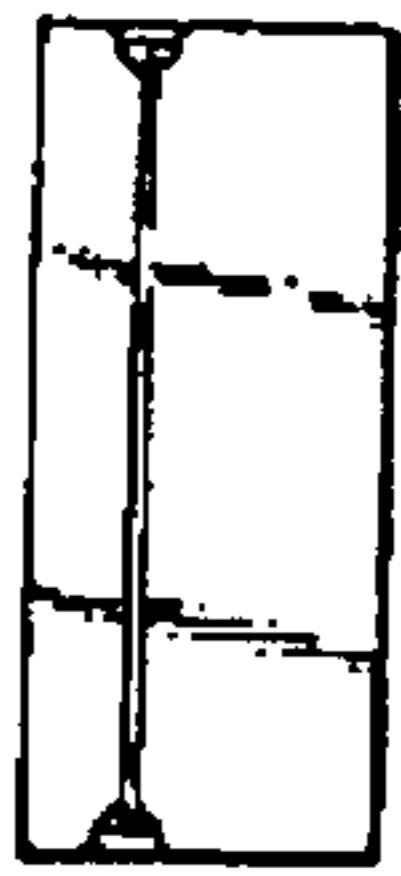
FIG. 1 is a front perspective showing my new design;  
FIG. 2 is right side elevation of FIG. 1;  
FIG. 3 is a left side elevation of FIG. 1;  
FIG. 4 is a top plan of FIG. 1;  
FIG. 5 is bottom plan of FIG. 1;  
FIG. 6 is a rear elevation of FIG. 1;  
FIG. 7 is a front perspective showing an alternative embodiment of my new design;  
FIG. 8 is right side elevation of FIG. 7;  
FIG. 9 is a left side elevation of FIG. 7;  
FIG. 10 is a top plan of FIG. 7;  
FIG. 11 is bottom plan of FIG. 7; and,  
FIG. 12 is a rear elevation of FIG. 7.

1 Claim, 1 Drawing Sheet

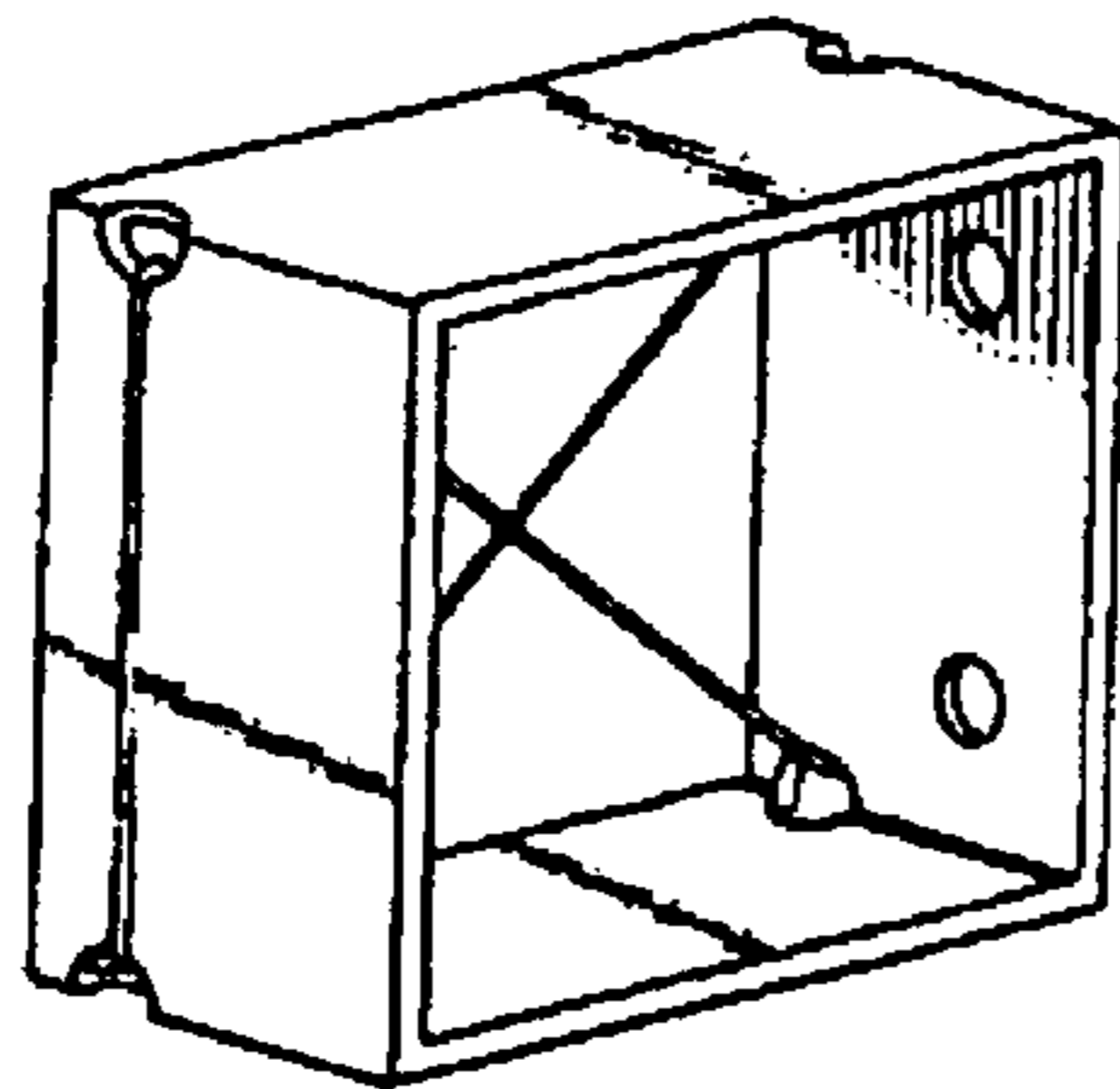




**FIG. 4**



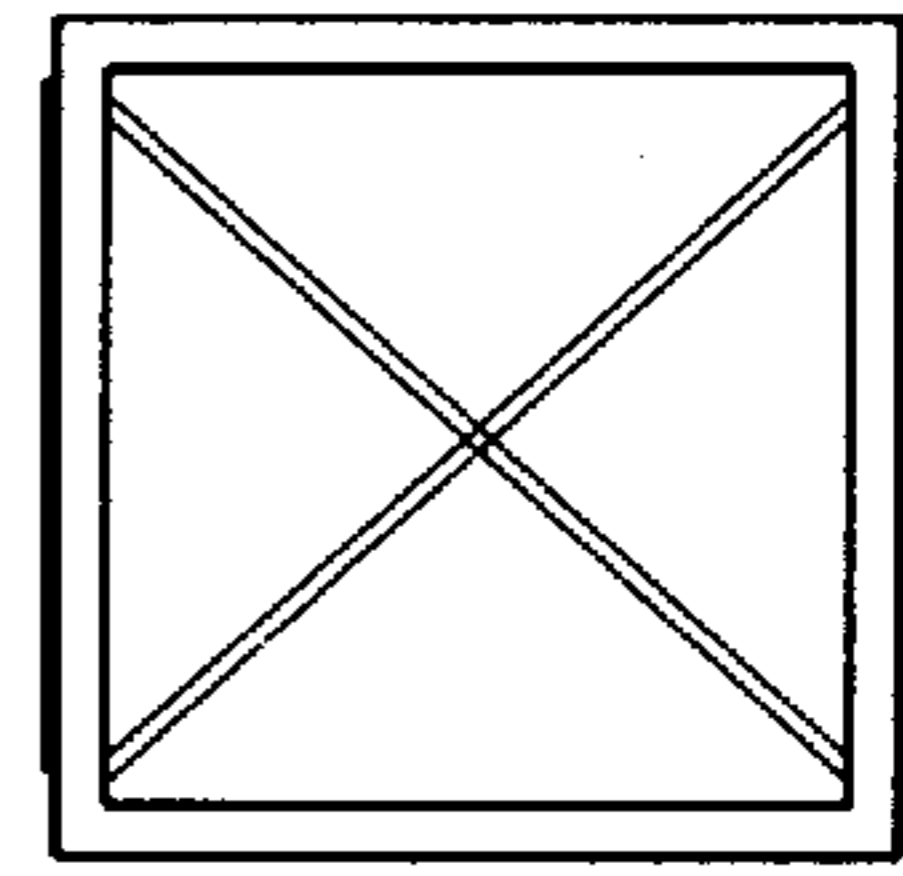
**FIG. 3**



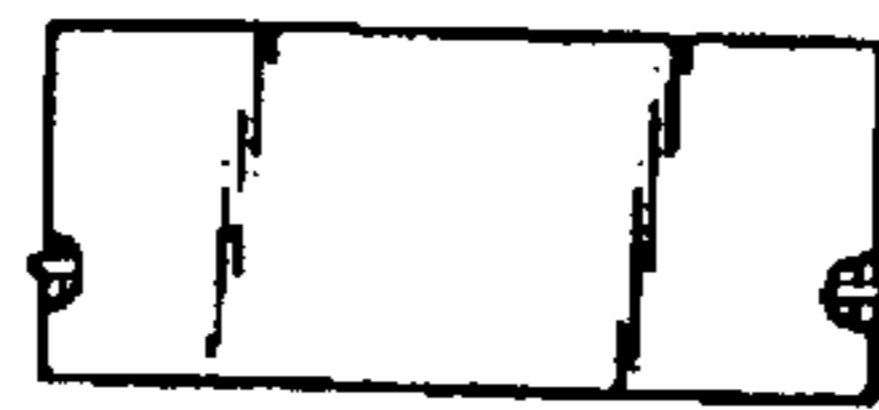
**FIG. 1**



**FIG. 2**



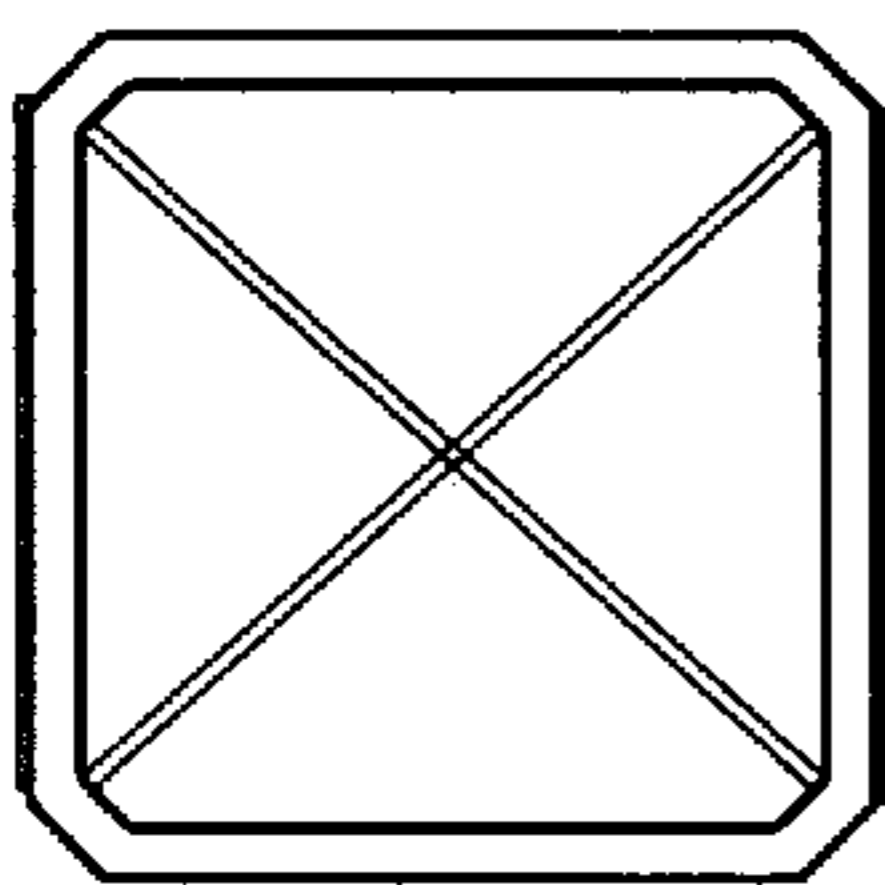
**FIG. 6**



**FIG. 5**



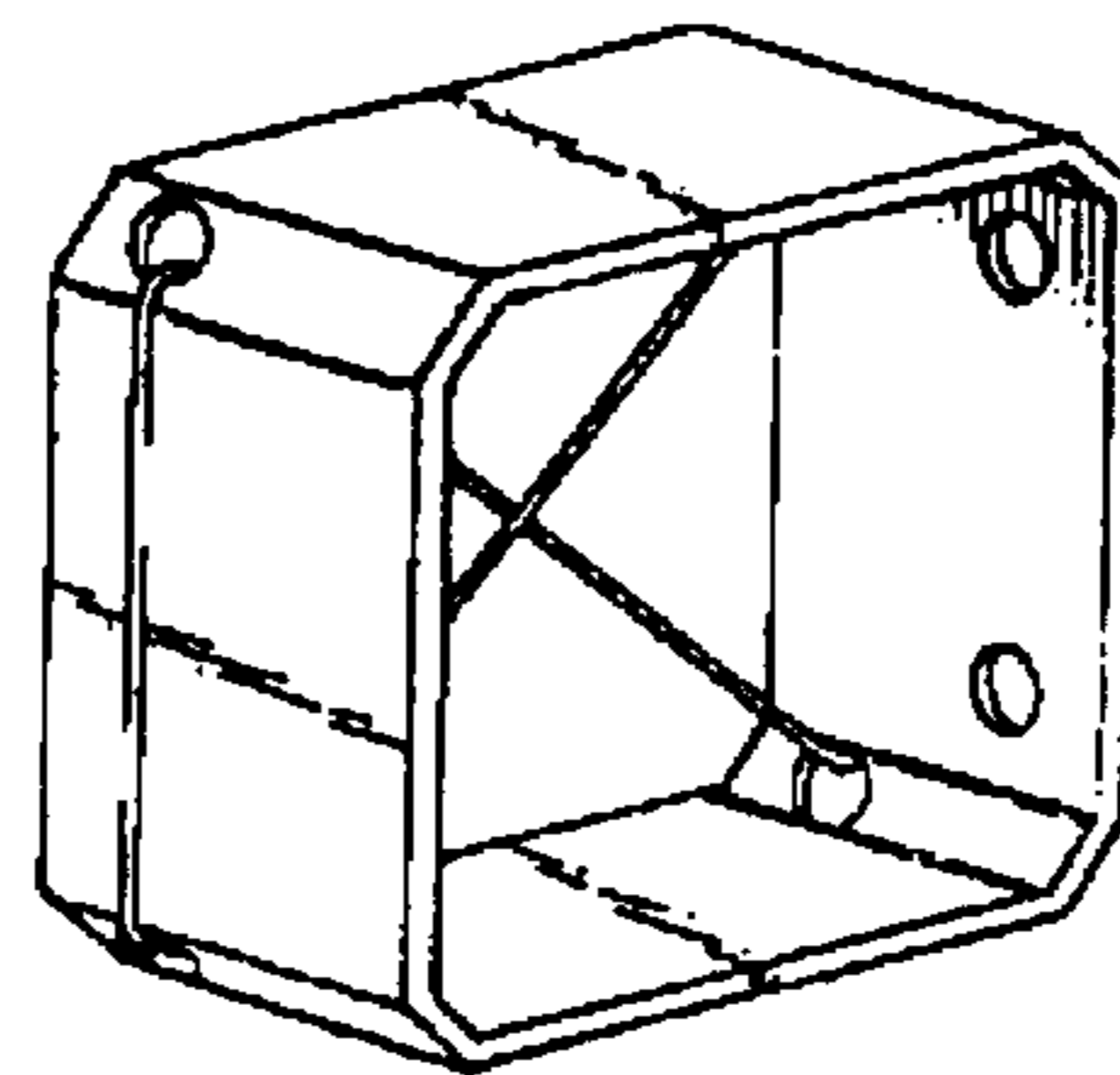
**FIG. 10**



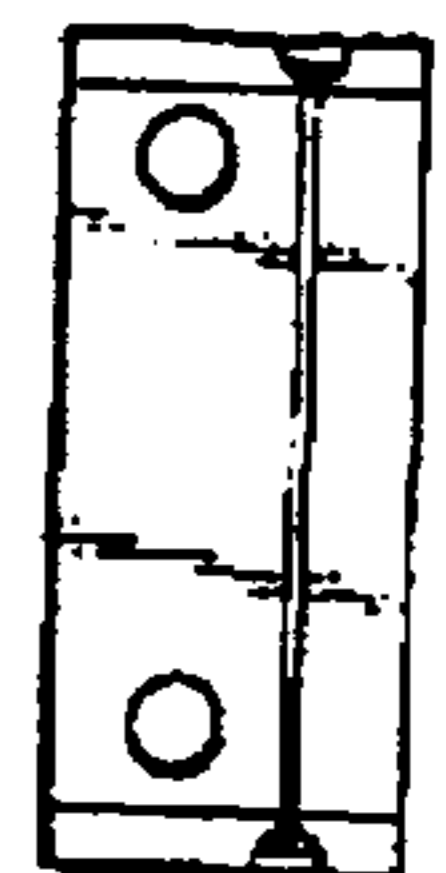
**FIG. 12**



**FIG. 9**



**FIG. 7**



**FIG. 8**



**FIG. 11**