



US00D412547S

United States Patent [19] Fong

[11] **Patent Number: Des. 412,547**

[45] **Date of Patent: ** Aug. 3, 1999**

[54] **GOLF SPIKE WRENCH**

[76] Inventor: **Ronnie Cheuk Kit Fong**, 4 Kin Wong Street, 7th Floor, Flat 8, Raton Industrial Building, Tuen Mun, New Territories, The Hong Kong Special Administrative Region of the People's Republic of China

[**] Term: **14 Years**

[21] Appl. No.: **29/097,296**

[22] Filed: **Dec. 3, 1998**

[51] **LOC (6) Cl.** **21-02**

[52] **U.S. Cl.** **D21/793**

[58] **Field of Search** D21/789, 793;
D8/21, 107; 81/176.15; 473/408

[56] **References Cited**

U.S. PATENT DOCUMENTS

- D. 259,698 6/1981 MacNeil D8/107
- D. 343,558 1/1994 Latraverse et al. D8/21
- D. 359,335 6/1995 Cartwright D21/793
- D. 359,895 7/1995 Snow D21/793 X

- 2,801,852 8/1957 Hottle D21/793 X
- 3,412,635 11/1968 Chmielewski 81/176.15
- 4,262,562 4/1981 MacNeill 81/176.15

OTHER PUBLICATIONS

Edwin Watts; p. 51; "Ratchett spike wrench", upper left of page, Jun. 1996.
Austads; p. 28; Spike wrench, lower left of page, 1985.

Primary Examiner—Mitchell I. Siegel
Attorney, Agent, or Firm—Salter & Michaelson

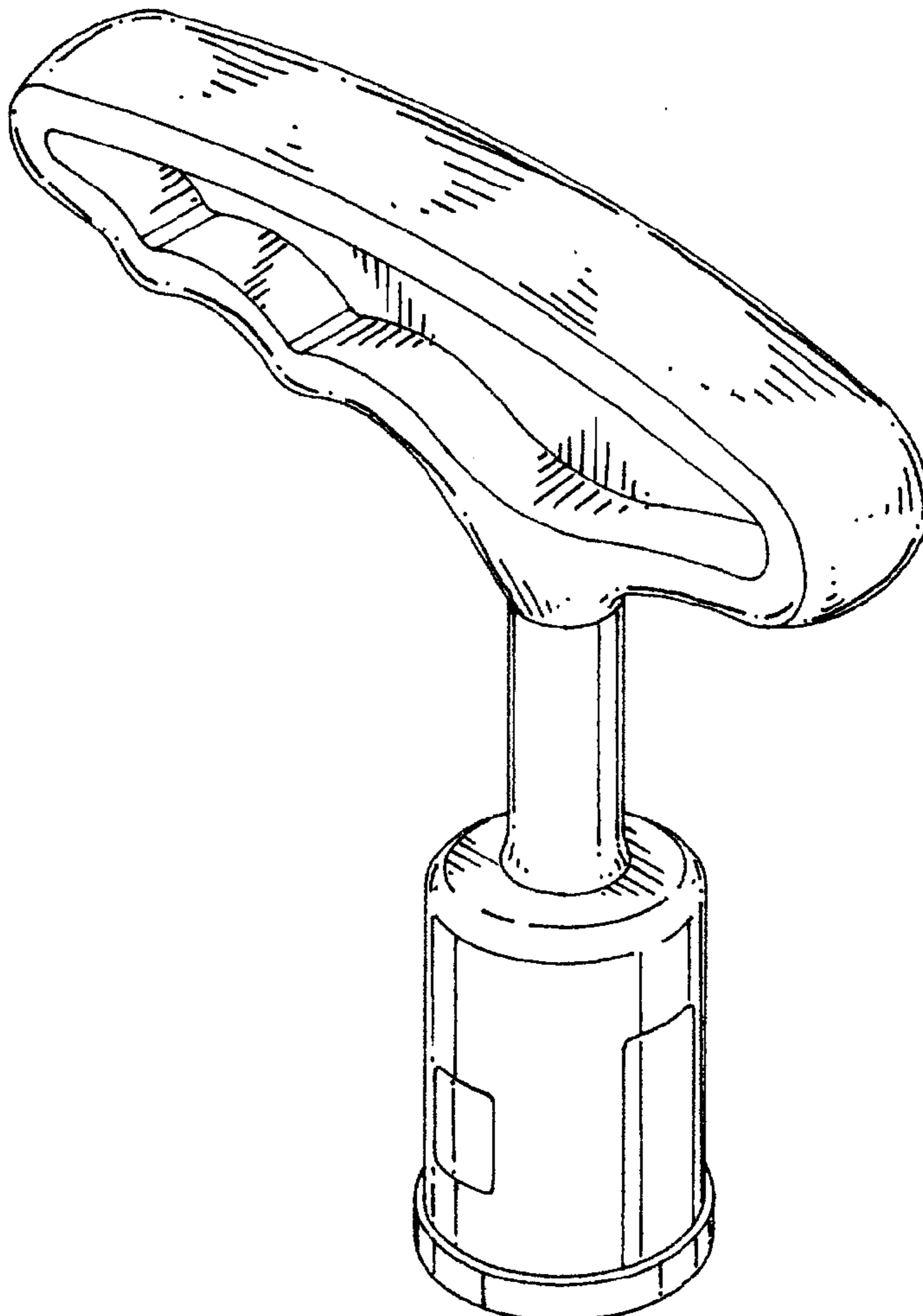
[57] **CLAIM**

The ornamental design for a golf spike wrench, as shown.

DESCRIPTION

FIG. 1 is a left side elevational view of a golf spike wrench showing my new design;
FIG. 2 is a right side elevational view thereof;
FIG. 3 is a rear elevational view thereof;
FIG. 4 is a front elevational view thereof;
FIG. 5 is a top plan view thereof;
FIG. 6 is a bottom plan view thereof; and,
FIG. 7 is a perspective view thereof.

1 Claim, 3 Drawing Sheets



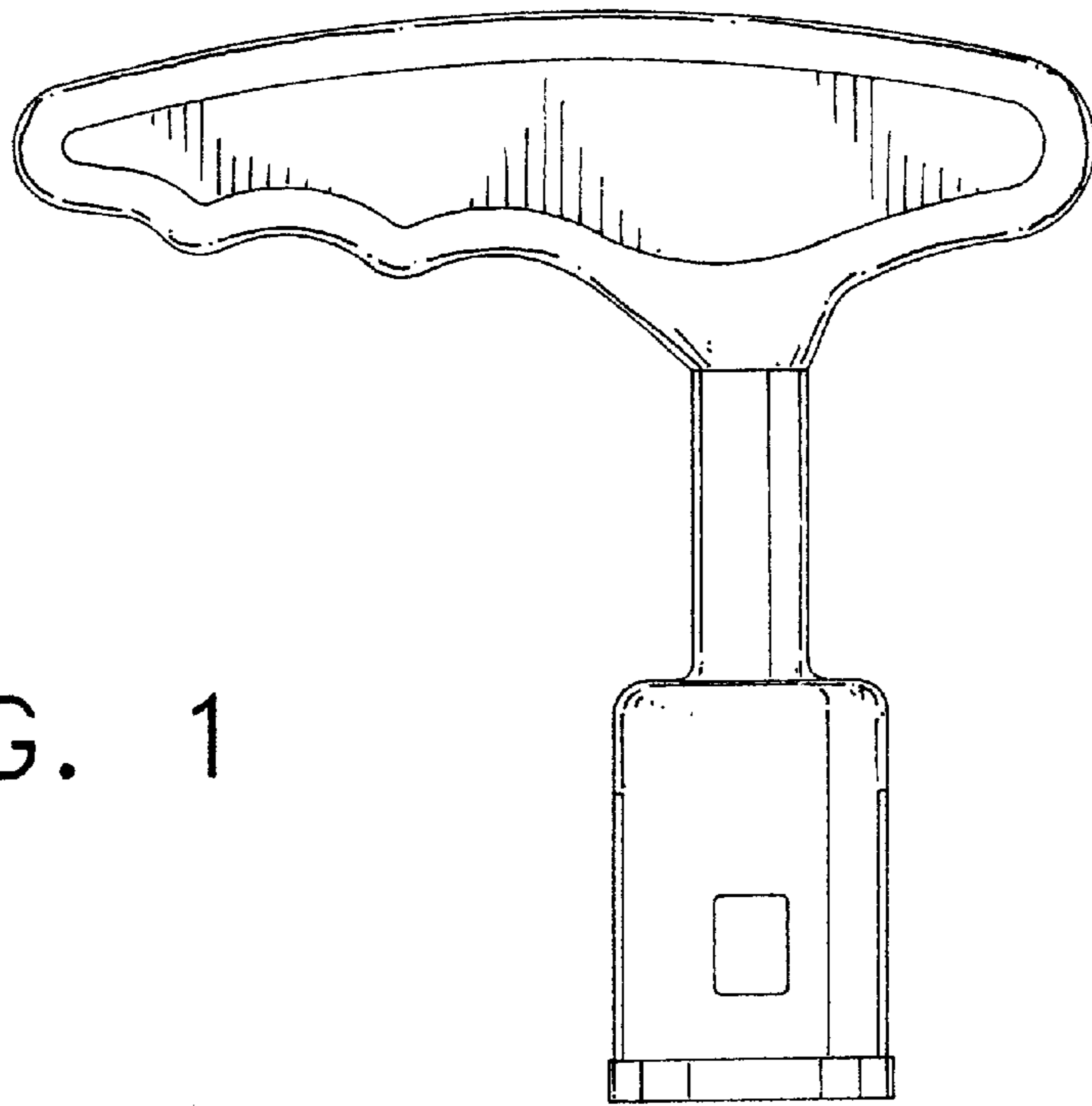


FIG. 1

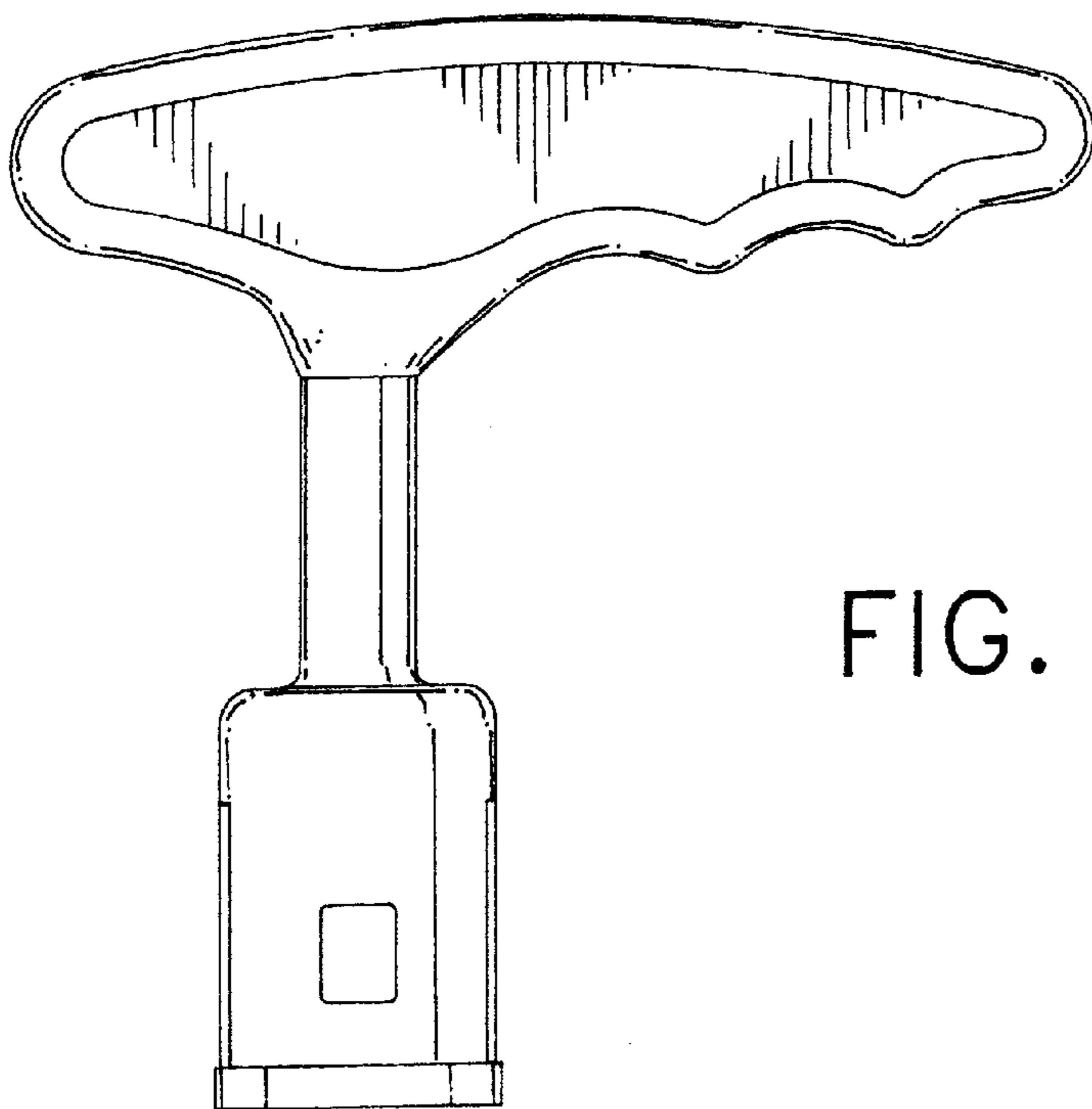


FIG. 2

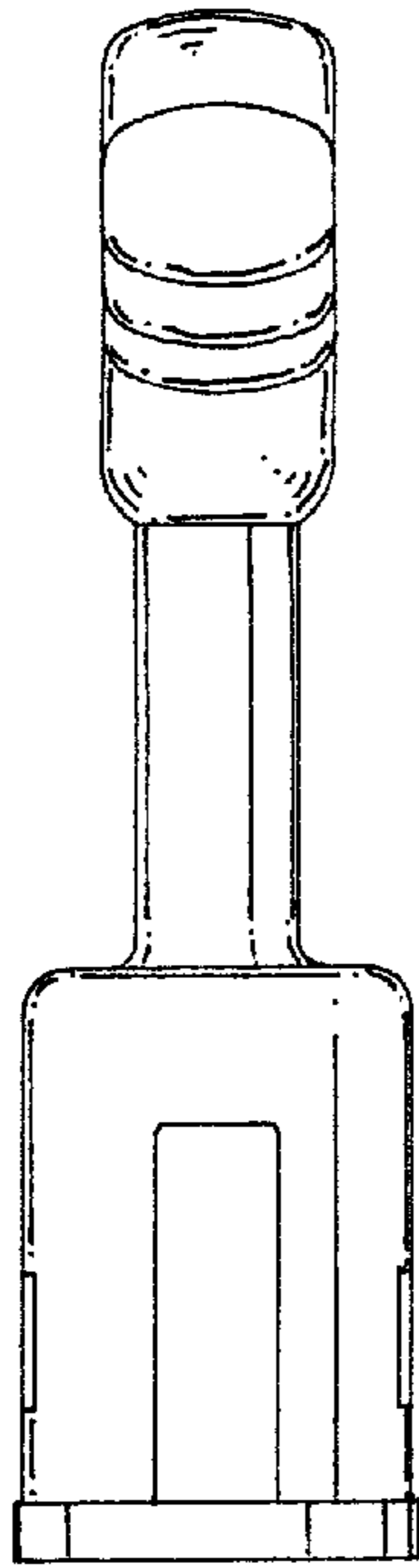


FIG. 3

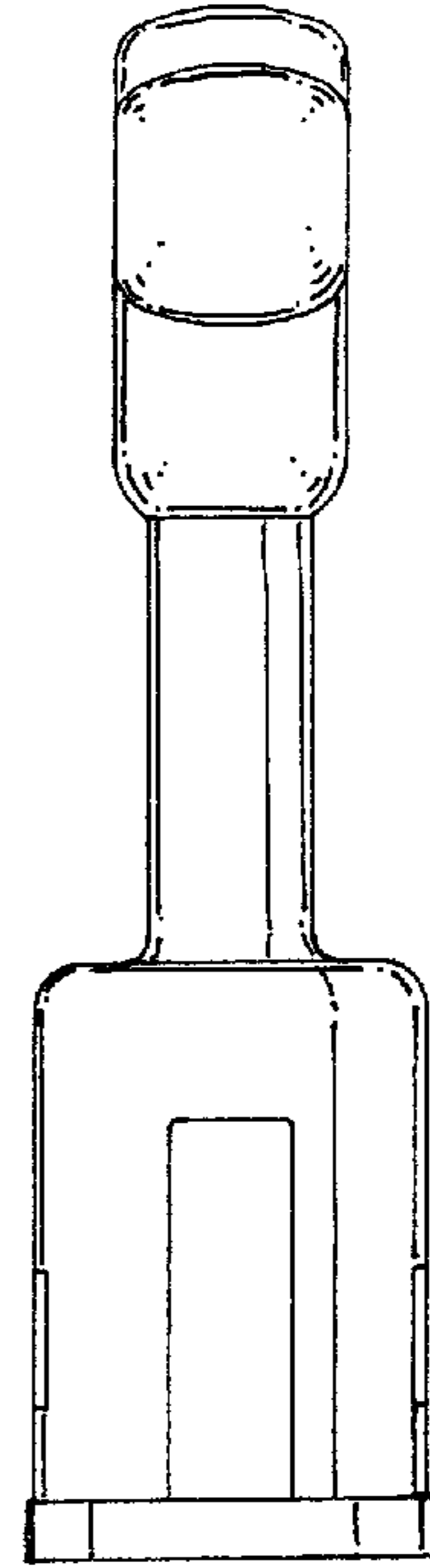


FIG. 4

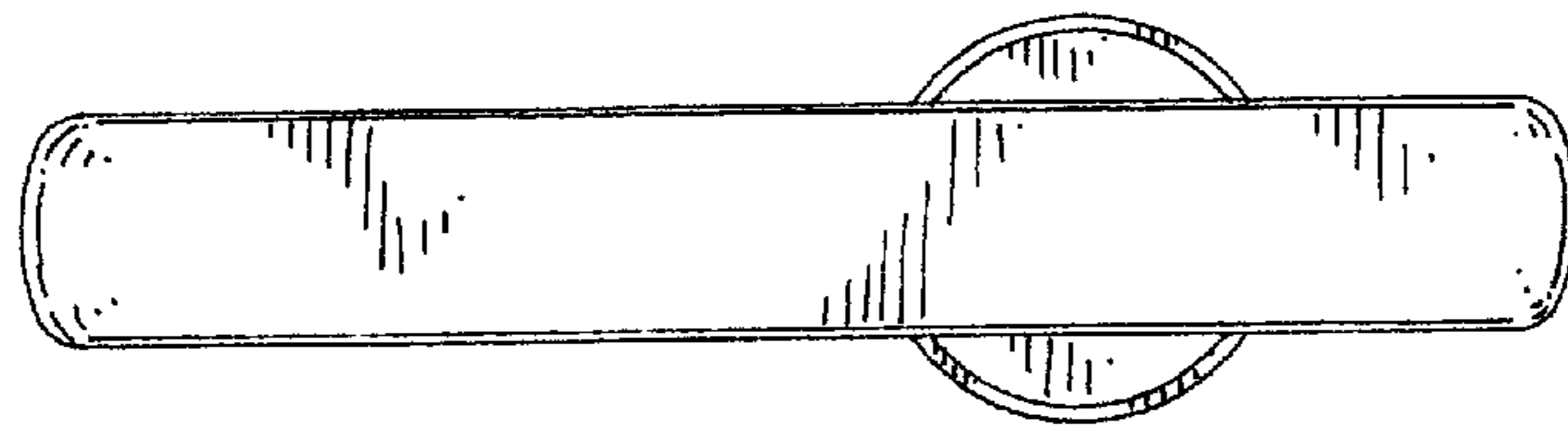


FIG. 5

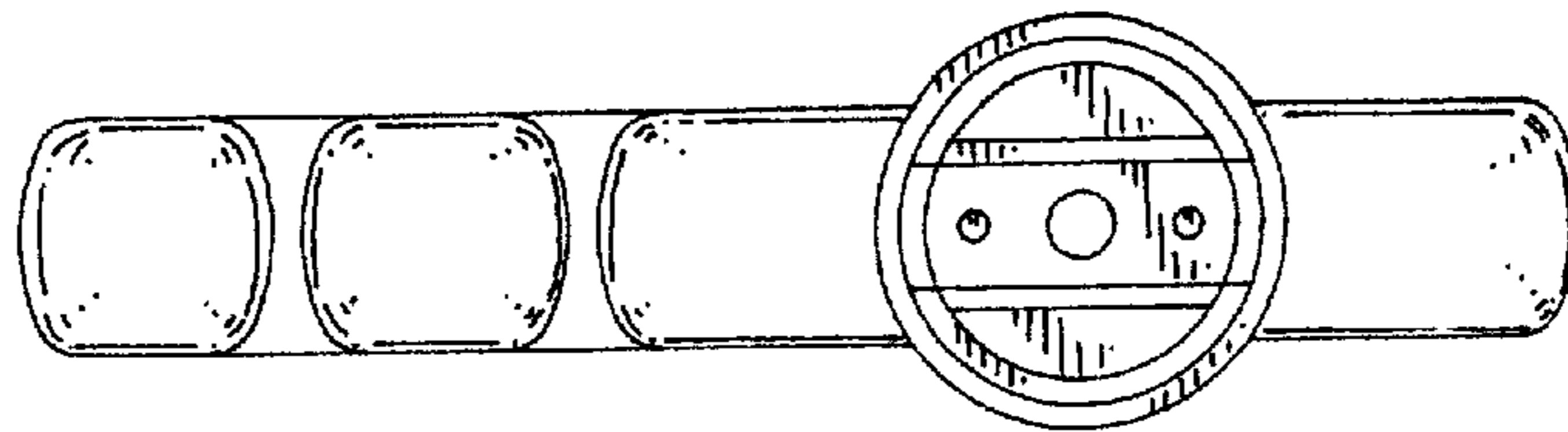


FIG. 6

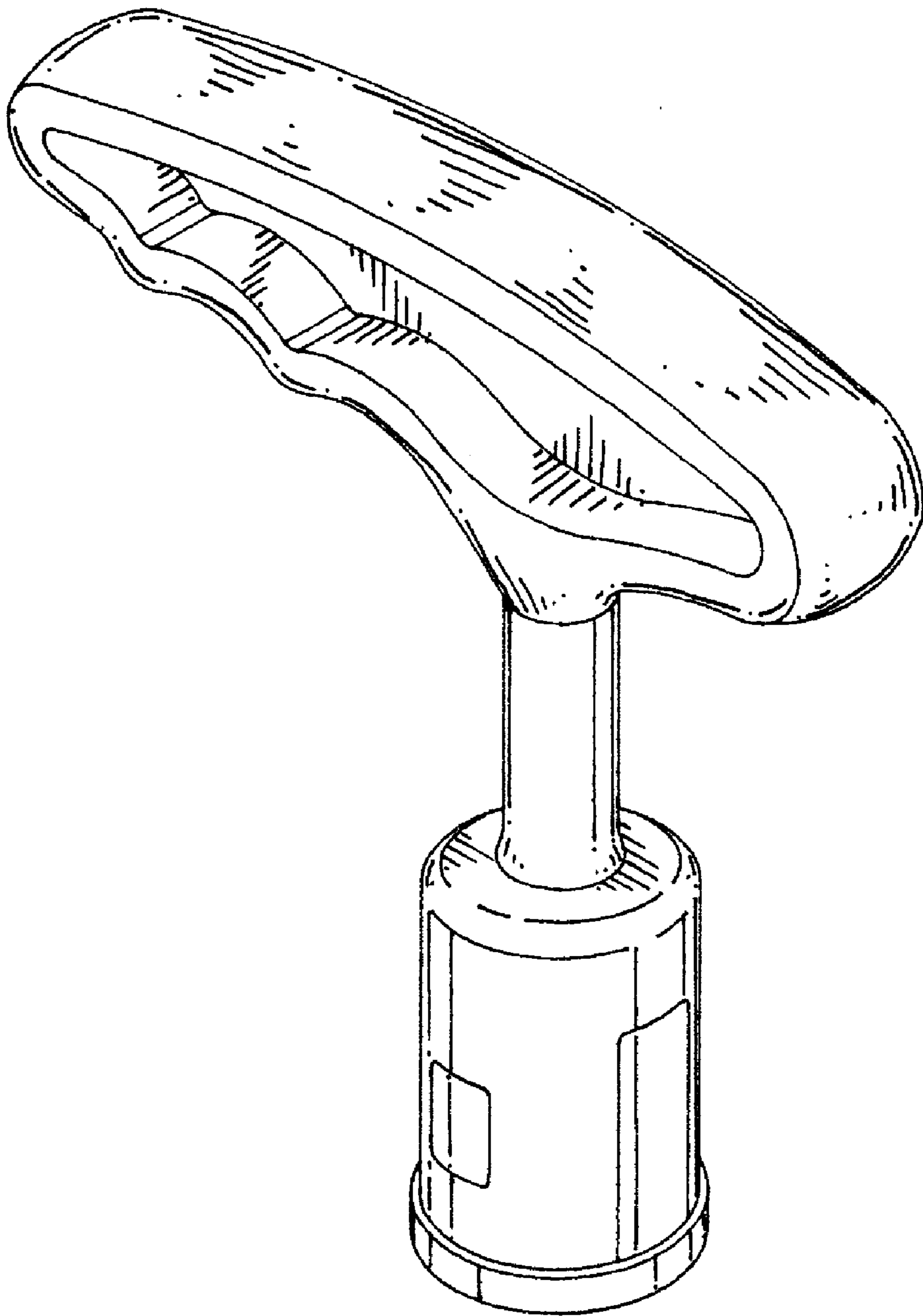


FIG. 7