



US00D412540S

United States Patent [19] Chen

[11] Patent Number: **Des. 412,540**

[45] Date of Patent: **** Aug. 3, 1999**

[54] **TOY DRUM**

[76] Inventor: **David Chen**, 9F-1, No. 629, Chung Teh Road, Sec. 1, Taichung, Taiwan

[**] Term: **14 Years**

[21] Appl. No.: **29/093,649**

[22] Filed: **Sep. 15, 1998**

[51] **LOC (6) Cl.** **21-01**

[52] **U.S. Cl.** **D21/405; D17/22; 446/408; 446/418**

[58] **Field of Search** D17/22, 99; D21/405, D21/406; 84/411 R, 411 P, 723-733, 743, DIG. 12, DIG. 24; 446/408, 397, 418, 419

[56] **References Cited**

U.S. PATENT DOCUMENTS

- D. 316,422 4/1991 Mine D17/22
- D. 319,249 8/1991 Aluisi D17/22
- D. 387,374 12/1997 Kawada D17/22

- D. 401,612 11/1998 Takei D17/22
- 4,479,412 10/1984 Klynas 84/730
- 4,691,611 9/1987 May 84/DIG. 12
- 5,140,889 8/1992 Segan et al. 84/723

Primary Examiner—Adir Aronovich
Attorney, Agent, or Firm—Browdy and Neimark

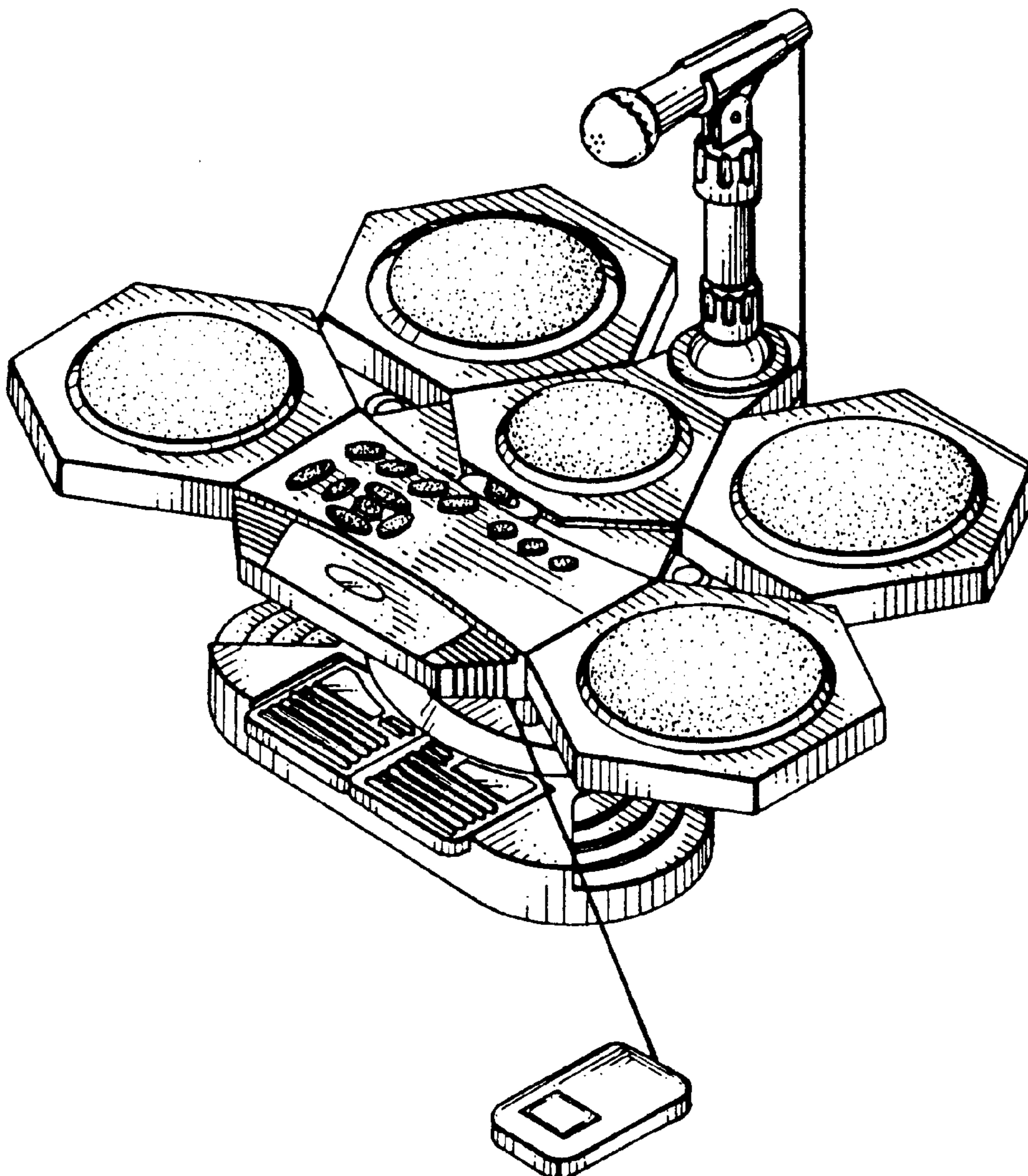
[57] **CLAIM**

The ornamental design for a toy drum, as shown and described.

DESCRIPTION

FIG. 1 is a perspective view of a toy drum showing my new design;
FIG. 2 is a front elevational view thereof;
FIG. 3 is a rear elevational view thereof;
FIG. 4 is a left end elevational view thereof;
FIG. 5 is a right end elevational view thereof;
FIG. 6 is a top plan view thereof; and,
FIG. 7 is a bottom plan view thereof.

1 Claim, 4 Drawing Sheets



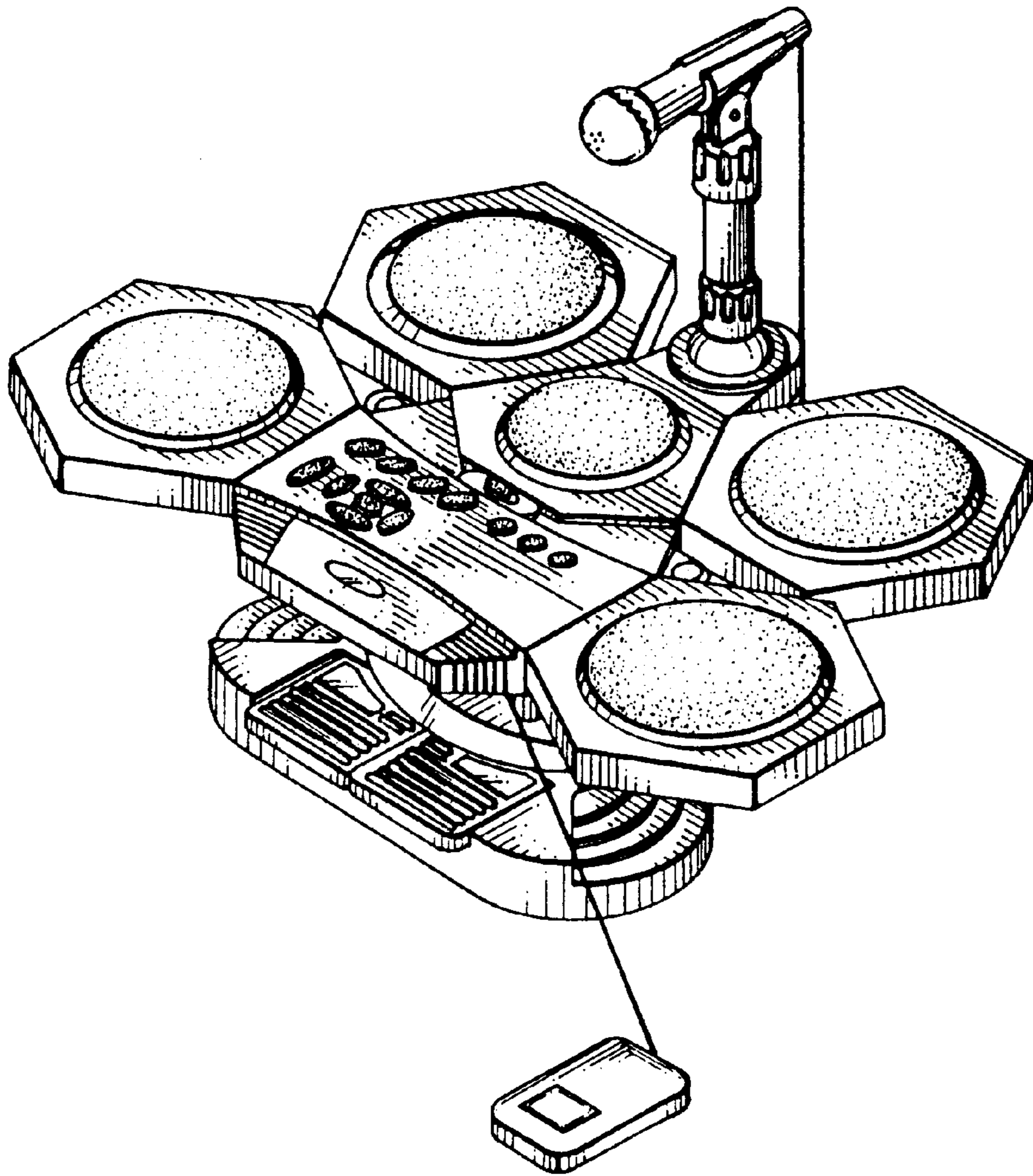


FIG. 1

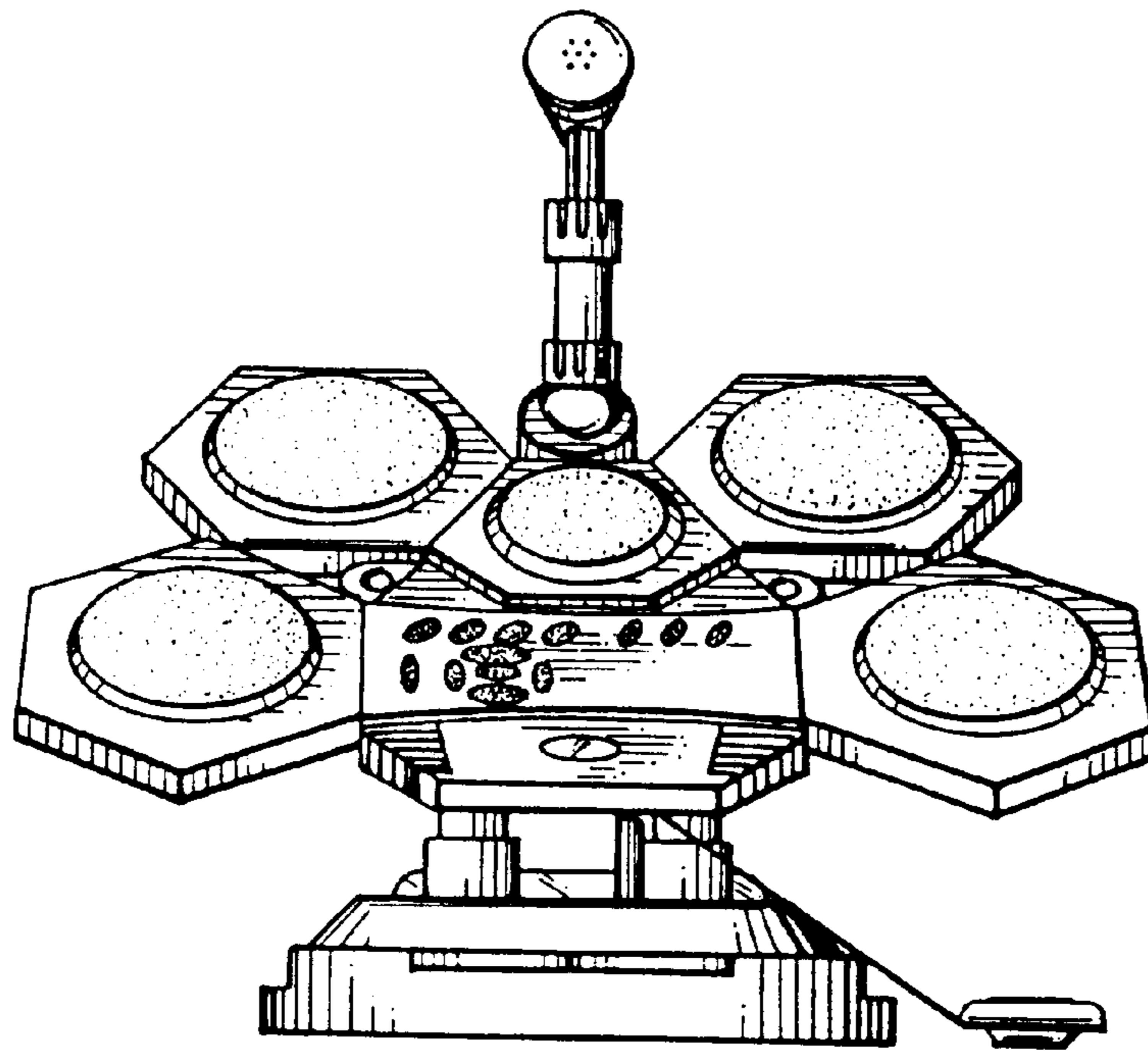


FIG. 2

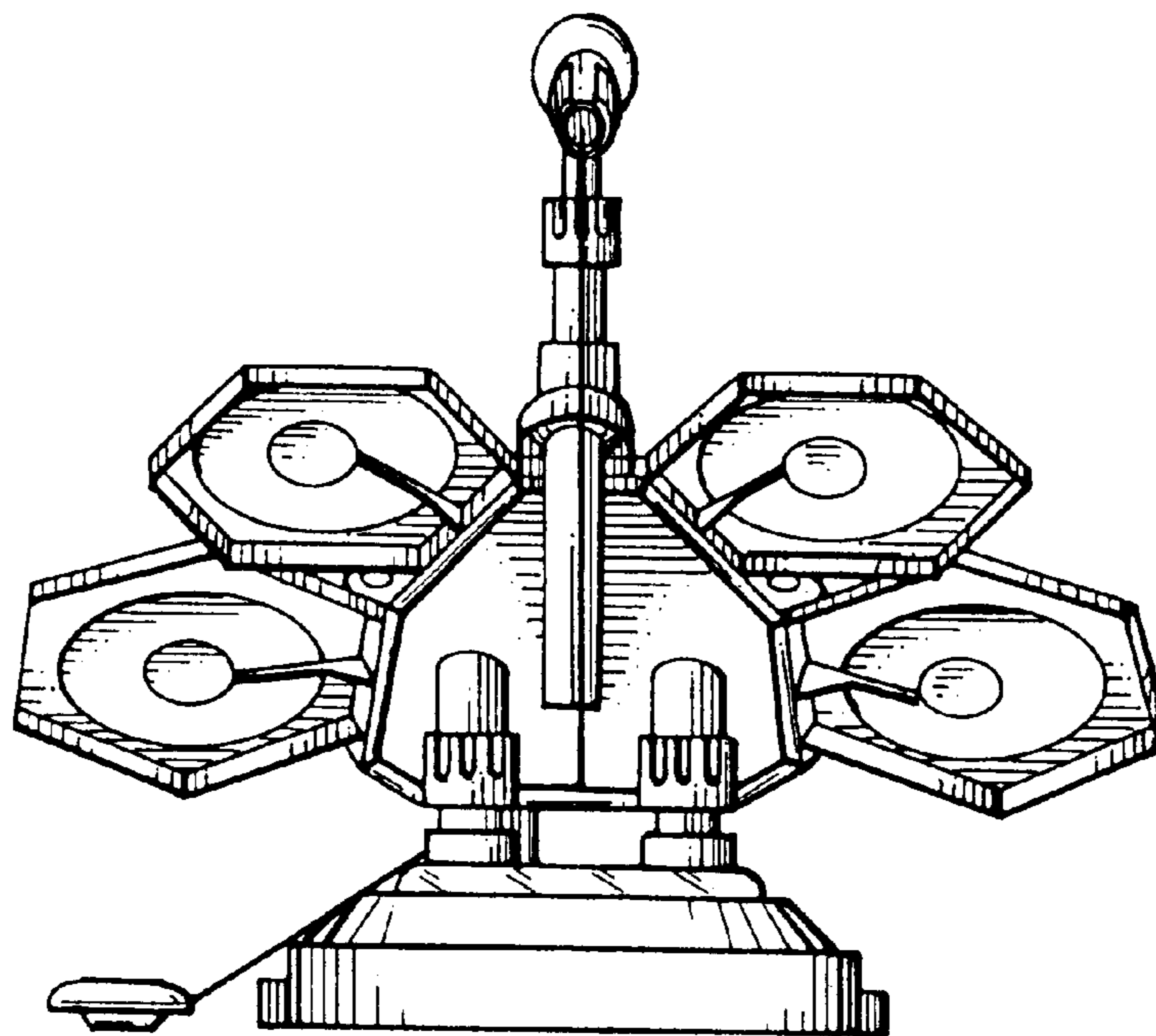


FIG. 3

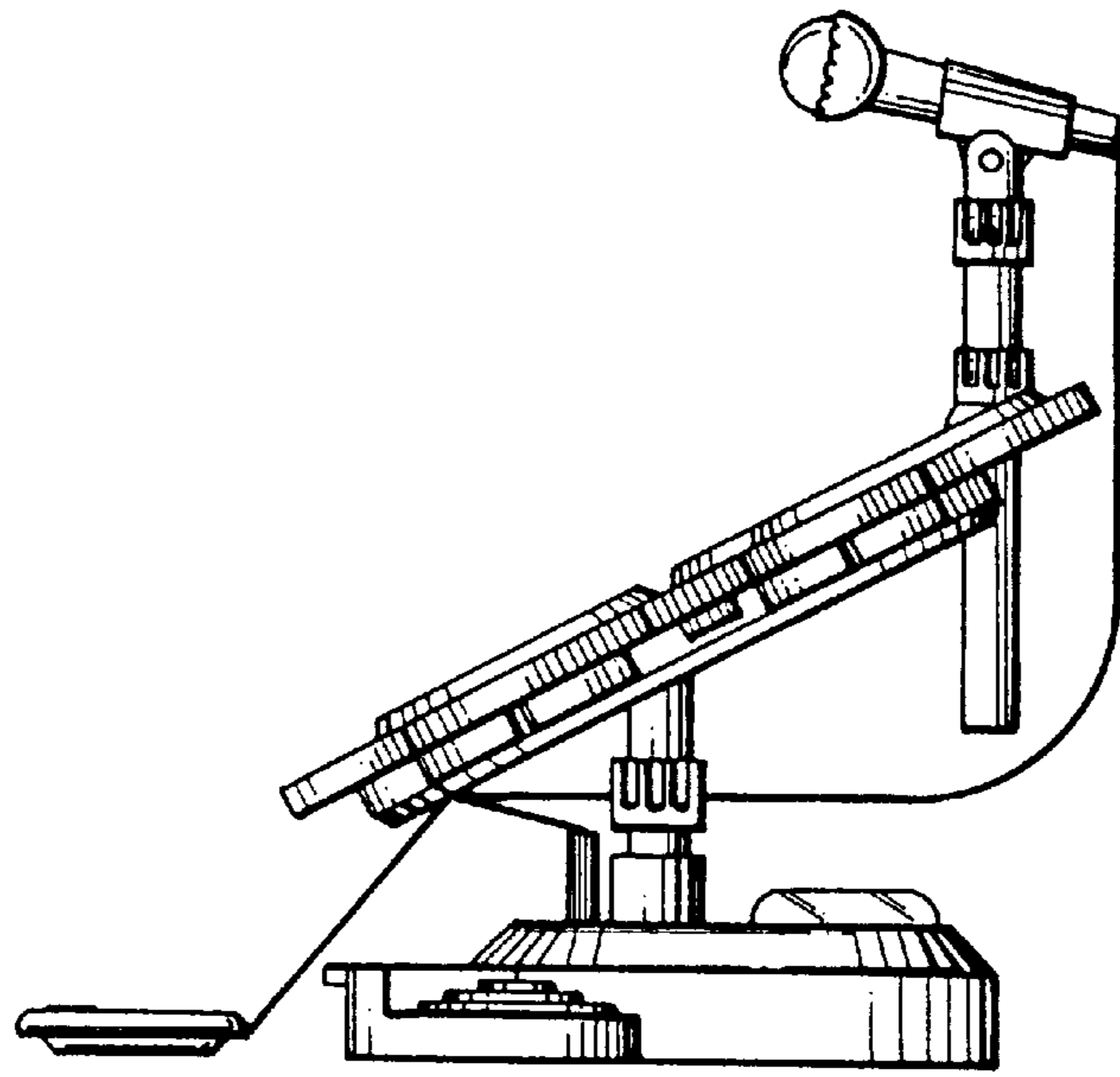


FIG. 4

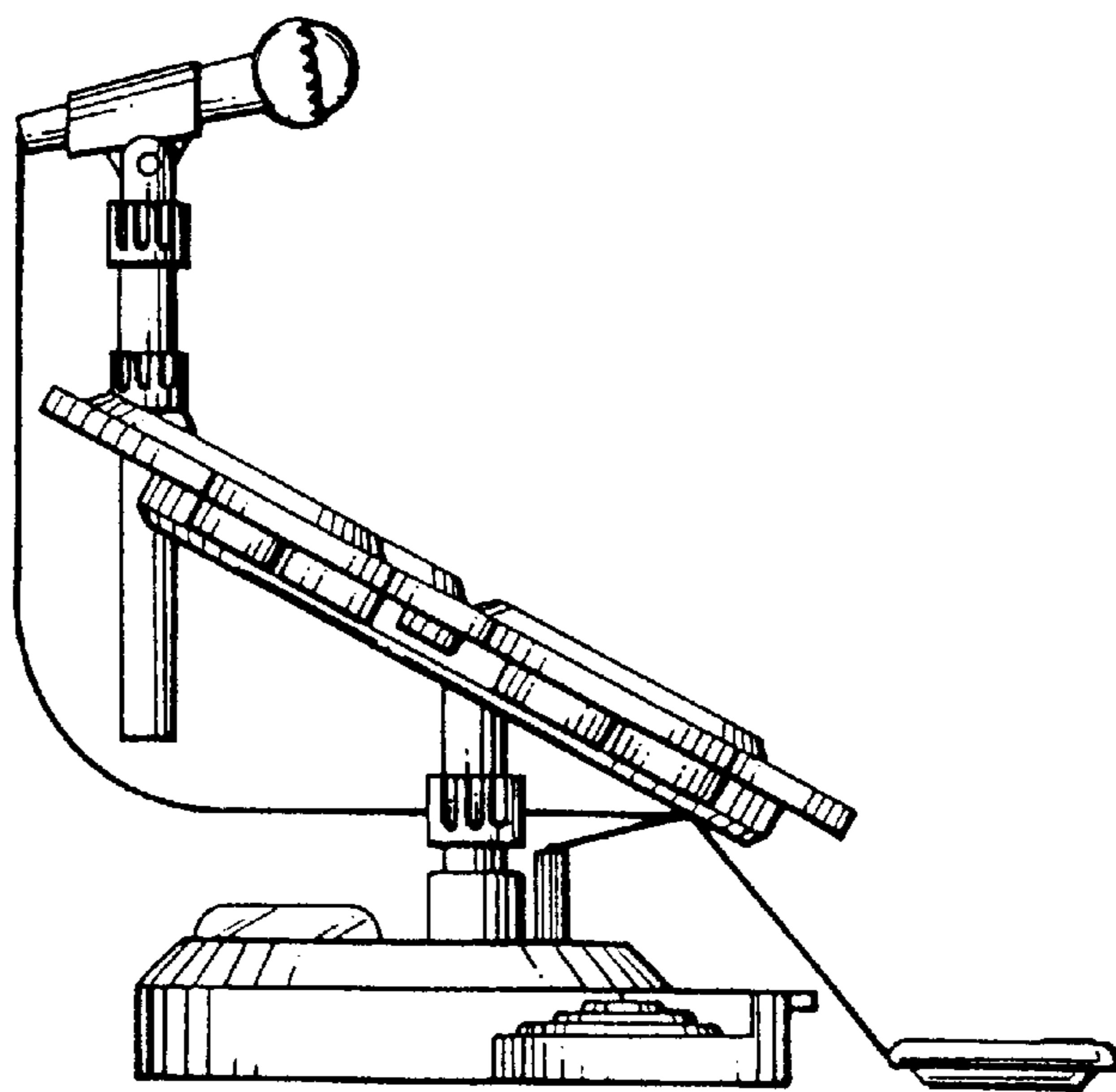


FIG. 5

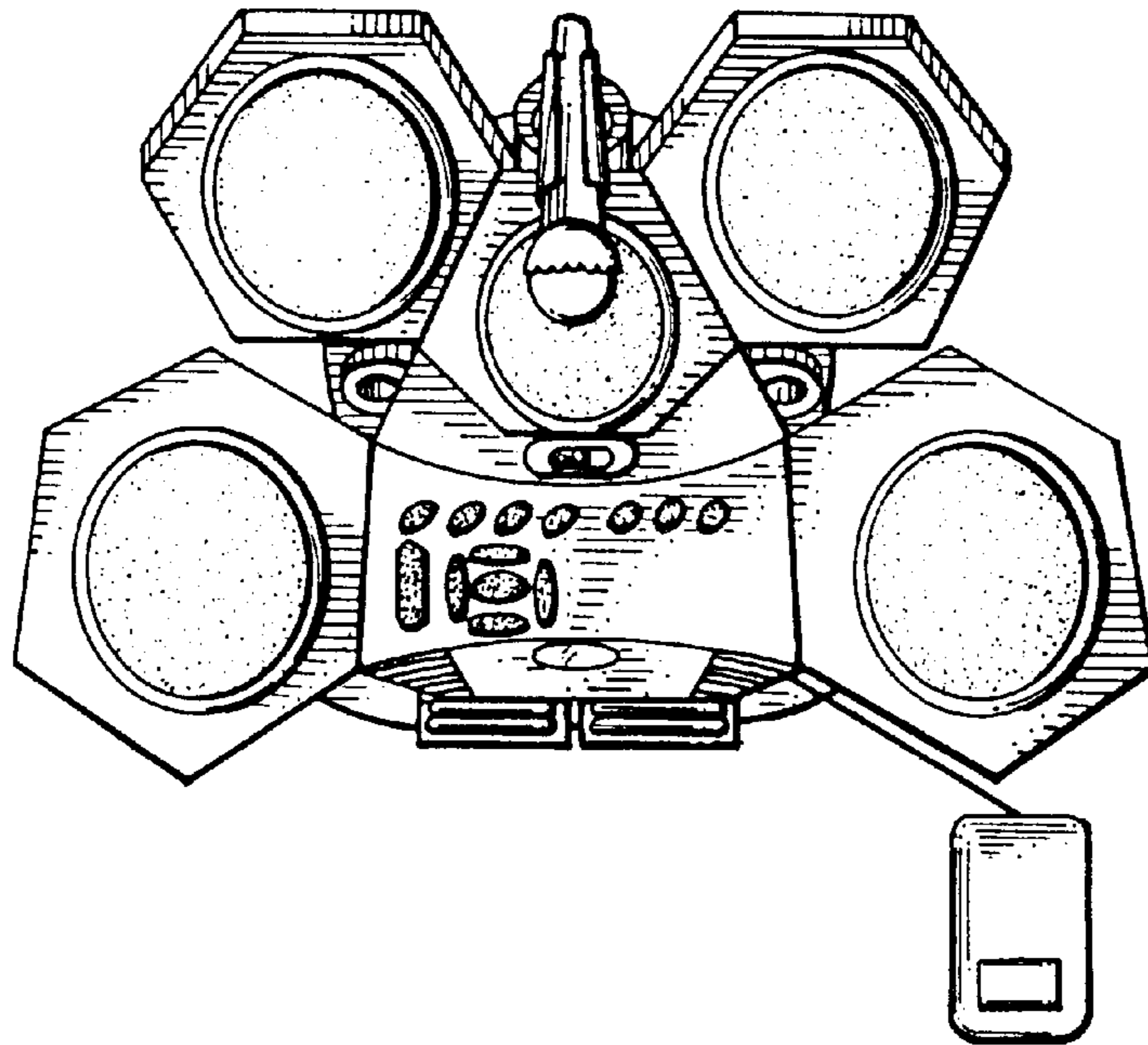


FIG. 6

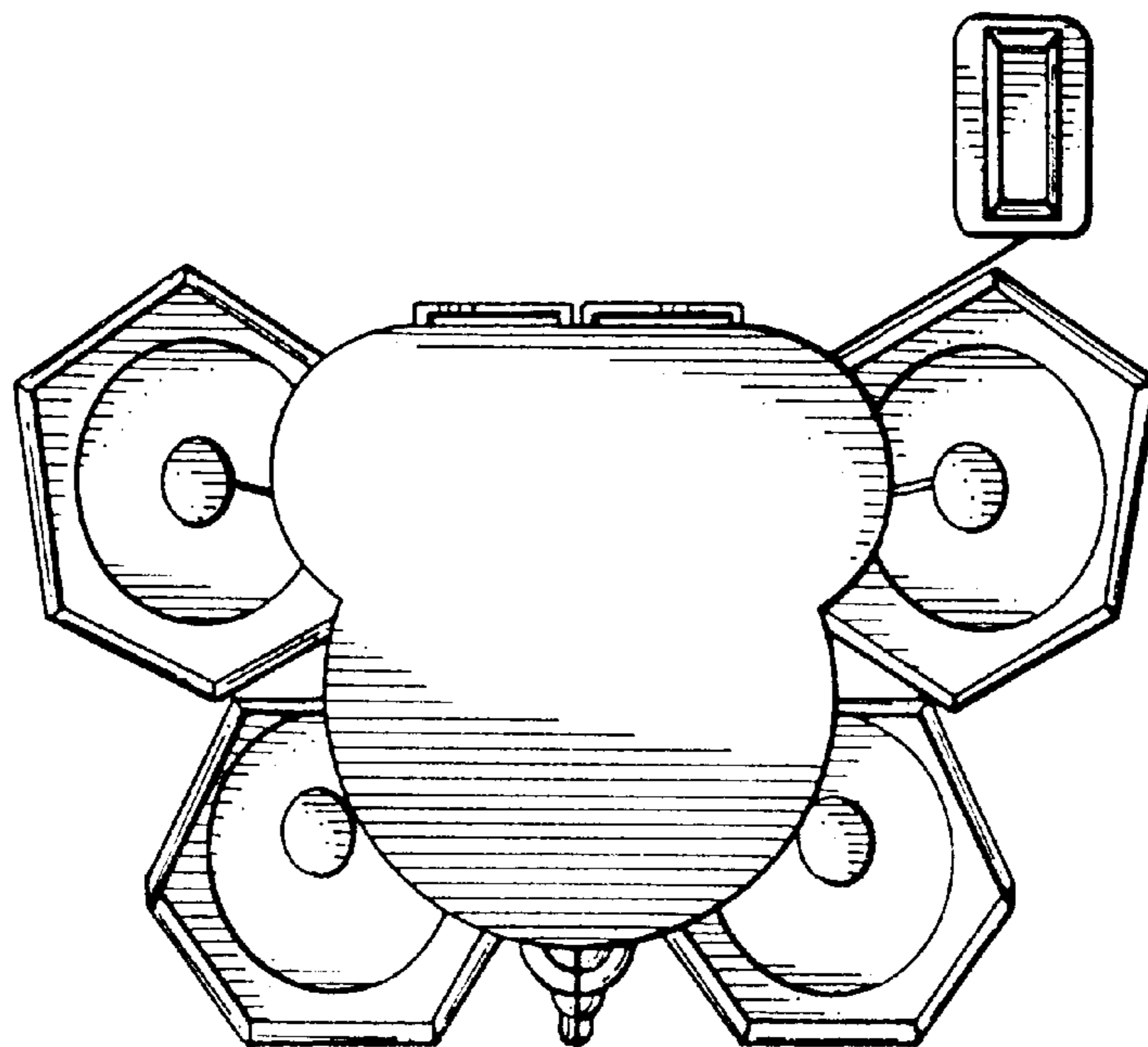


FIG. 7