



US00D412539S

United States Patent [19]

Corliss

[11] Patent Number: Des. 412,539

[45] Date of Patent: ** Aug. 3, 1999

[54] **ROTARY TOY FOR MAKING VARIABLE THREE-DIMENSIONAL IMAGES**

[76] Inventor: **Kathrine K. Corliss**, 15 Balbrook Dr., Mendham, N.J. 07945

[**] Term: **14 Years**

[21] Appl. No.: **29/093,402**

[22] Filed: **Sep. 10, 1998**

[51] **LOC (6) Cl.** **21-01**

[52] **U.S. Cl.** **D21/398; D19/35; D19/64**

[58] **Field of Search** **D19/35, 64; D21/398, D21/403, 455, 468, 469; 434/81, 96, 101, 102, 104**

[56] **References Cited**

U.S. PATENT DOCUMENTS

D. 149,106	3/1948	Berman .	
D. 164,583	9/1951	Jay et al. .	
D. 194,043	11/1962	Kamen .	
D. 347,664	6/1994	Sriram .	
838,305	3/1906	Curial .	
931,184	8/1909	Davis	D21/403 X
1,738,398	12/1929	Sesti .	
2,021,817	11/1935	Tannenberg .	
2,200,060	5/1940	Geiser .	
2,240,053	4/1941	Richardson	434/98 X
2,337,978	12/1943	Donovan .	
2,595,374	5/1952	Studt .	
2,763,078	9/1956	Graves .	
3,210,866	10/1965	Brunelle .	
3,272,506	9/1966	Lescher .	

Primary Examiner—Dominic Simone
Attorney, Agent, or Firm—Mathews, Collins, Shepherd & Gould, P.A.

[57] **CLAIM**

The ornamental design for a rotary toy for making variable three-dimensional images, as shown and described.

DESCRIPTION

FIG. 1 is a perspective view of the rotary toy for making variable three-dimensional images wherein the broken lines on the rotatable discs denote graphic matter that may be placed on and removed from the discs to present a variety of interchangeable three-dimensional images;

FIG. 2 is a front elevational view of a rotary toy for making variable three-dimensional images showing my new design, the back elevational view being substantially symmetrical;

FIG. 3 is a right side elevational view;

FIG. 4 is a left side elevational view;

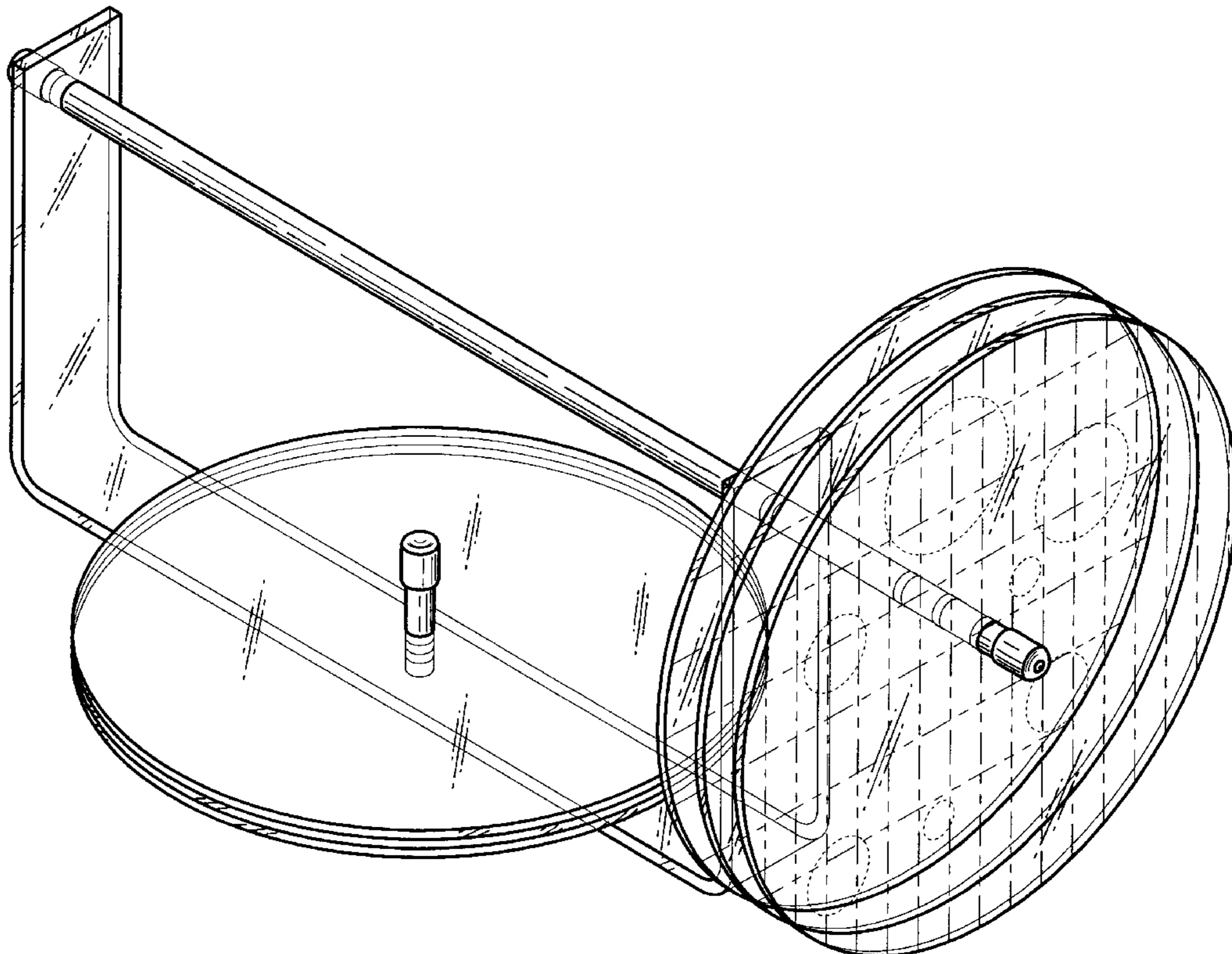
FIG. 5 is a top plan view;

FIG. 6 is a bottom view; and,

FIG. 7 is an exploded perspective view showing an exemplary assembly of rotatable discs, wherein the broken lines on the discs denote graphic matter that may be placed on and removed from the discs to present a variety of interchangeable three-dimensional images.

The broken lines appearing on the rotatable discs are for illustrative purposes only denoting the appearance of graphic matter that may be applied to the article and do not form part of the claimed design. The solid dashed lines on the rotatable discs constitute shading denoting transparency.

1 Claim, 6 Drawing Sheets



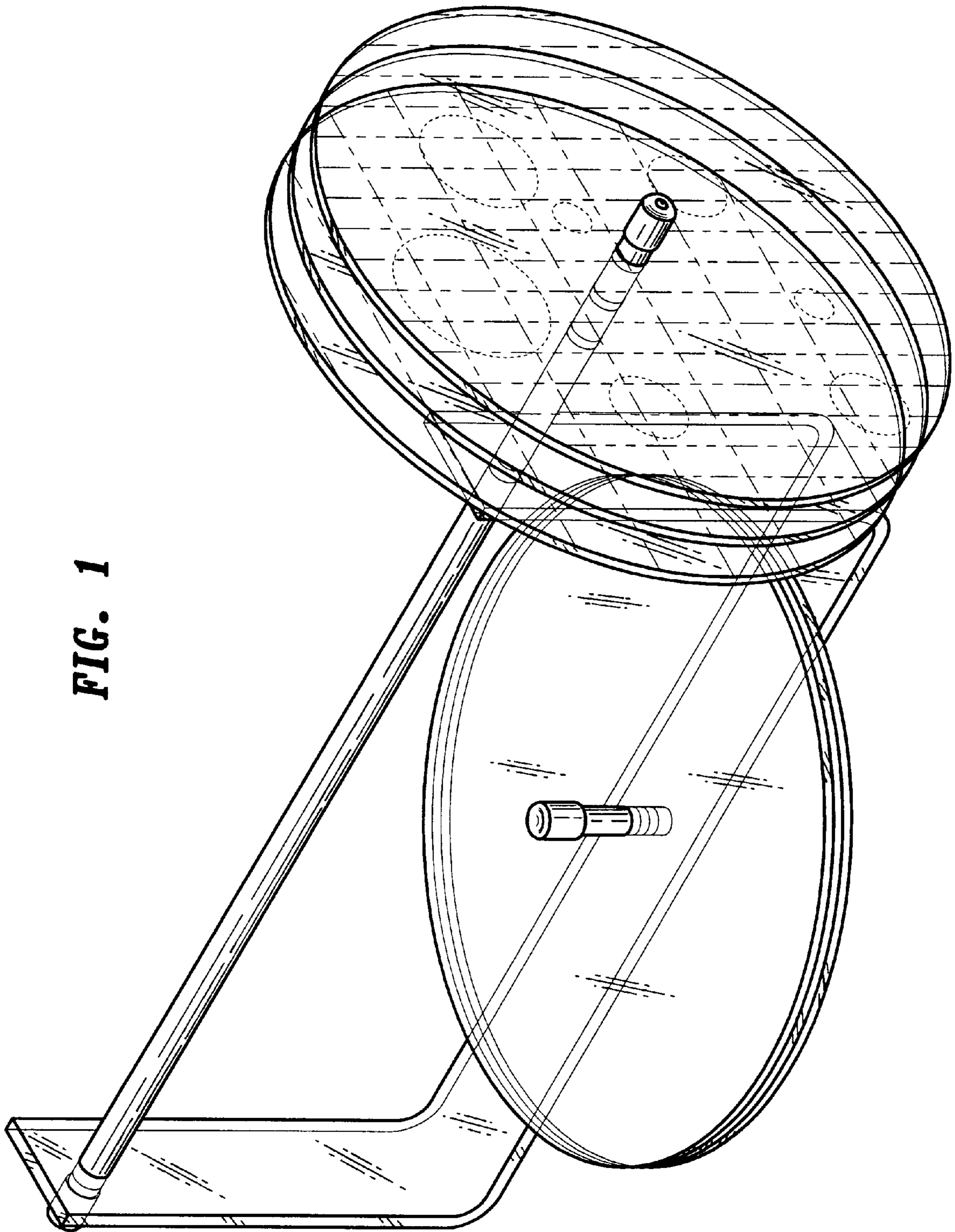


FIG. 1

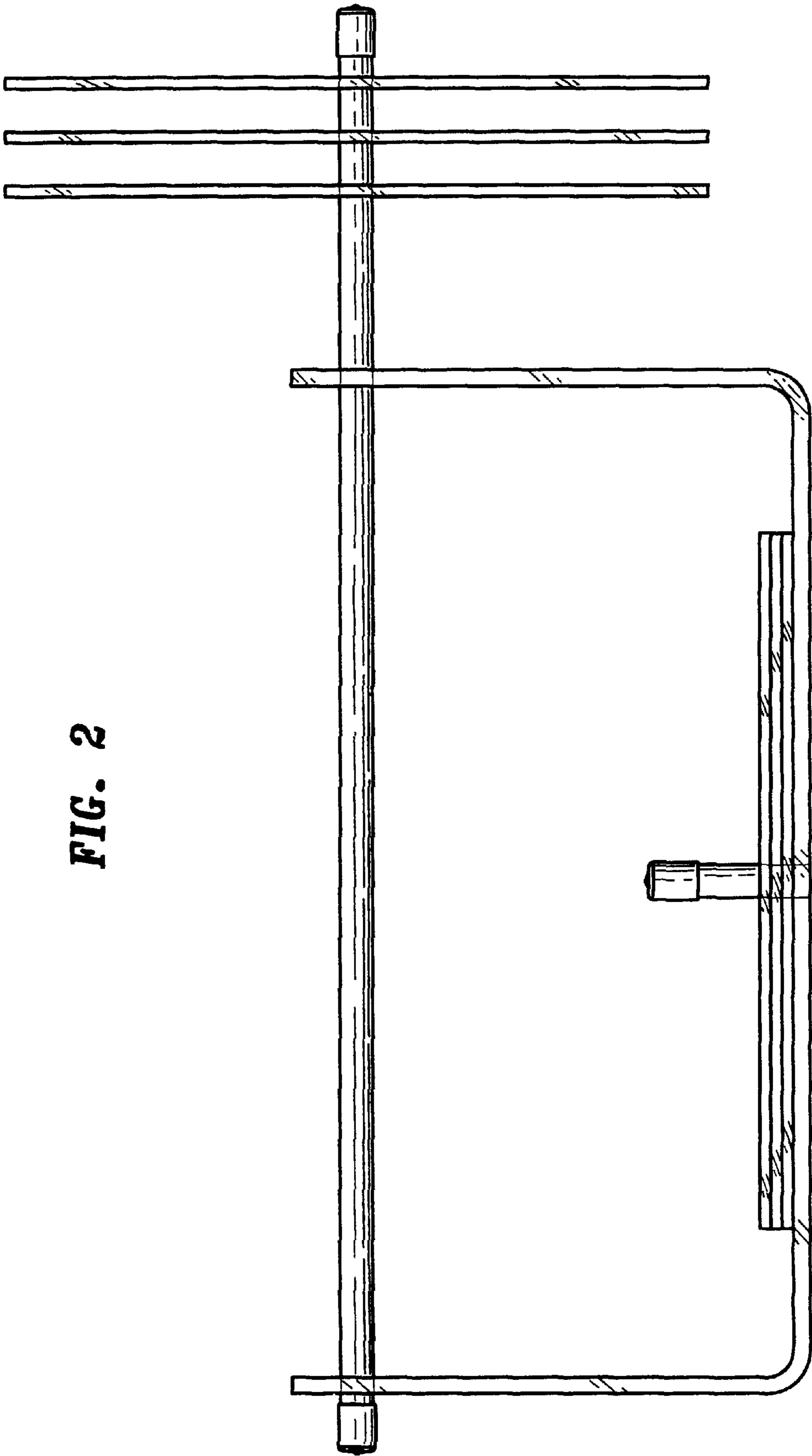


FIG. 2

FIG. 3

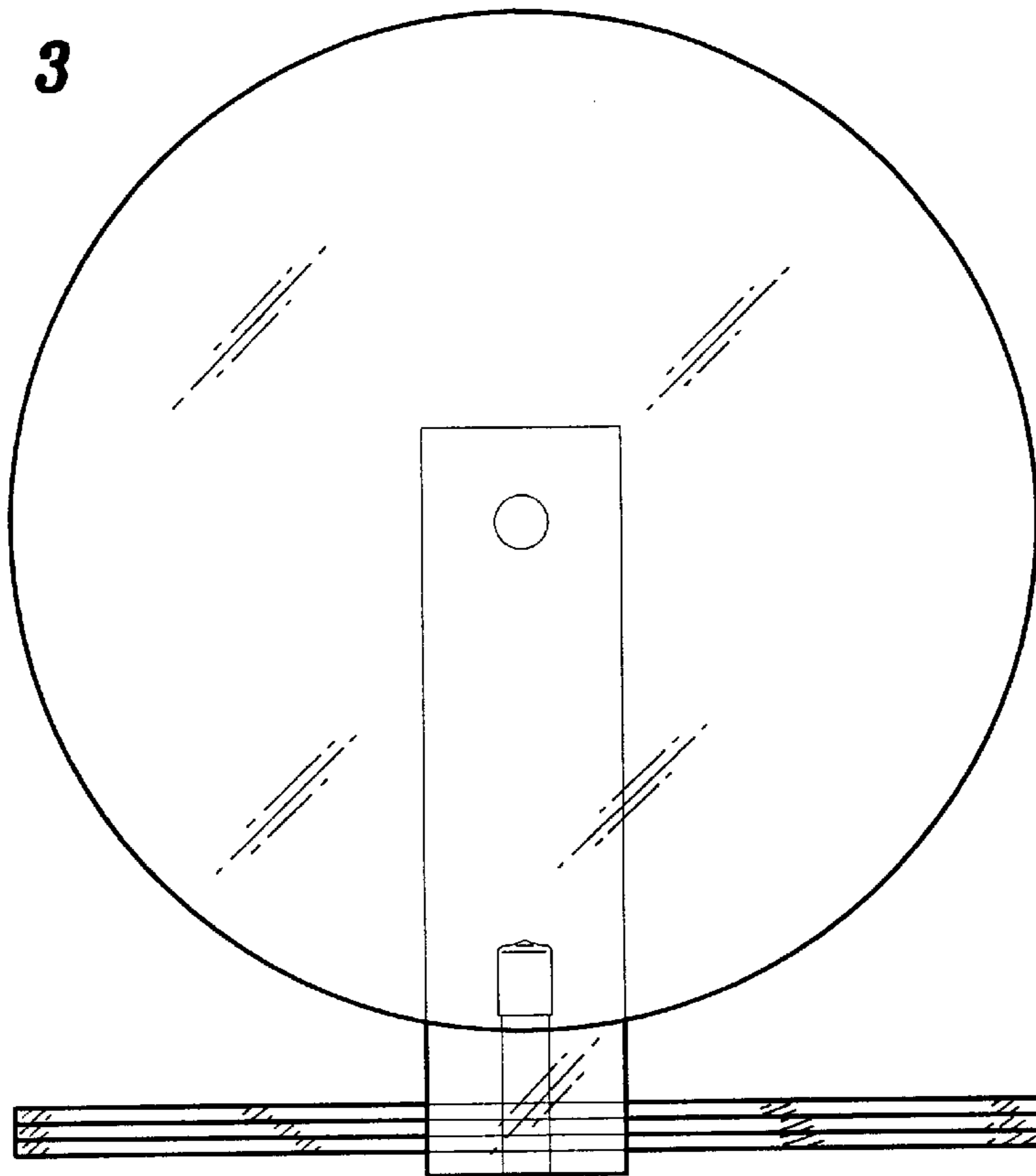


FIG. 4

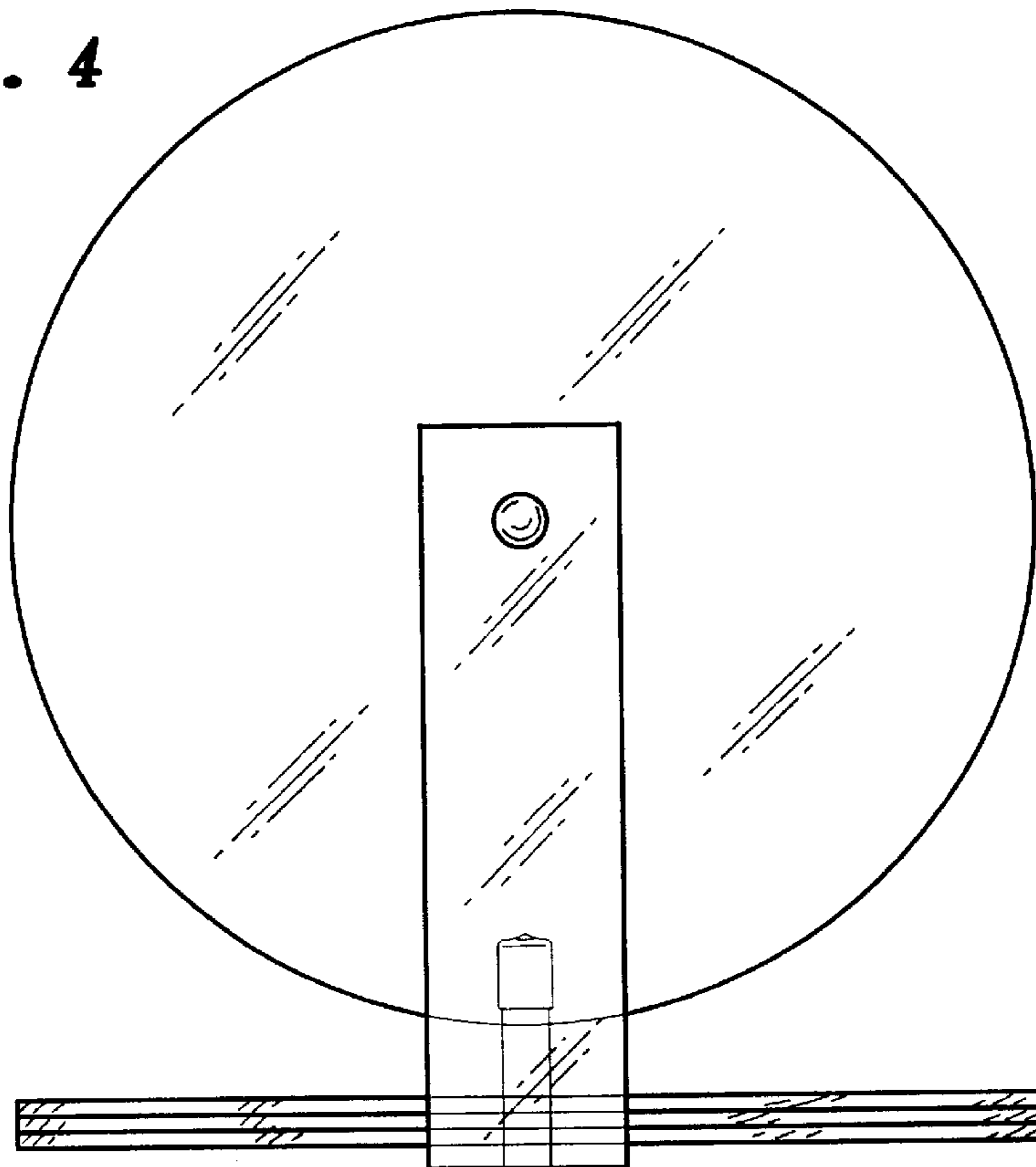


FIG. 5

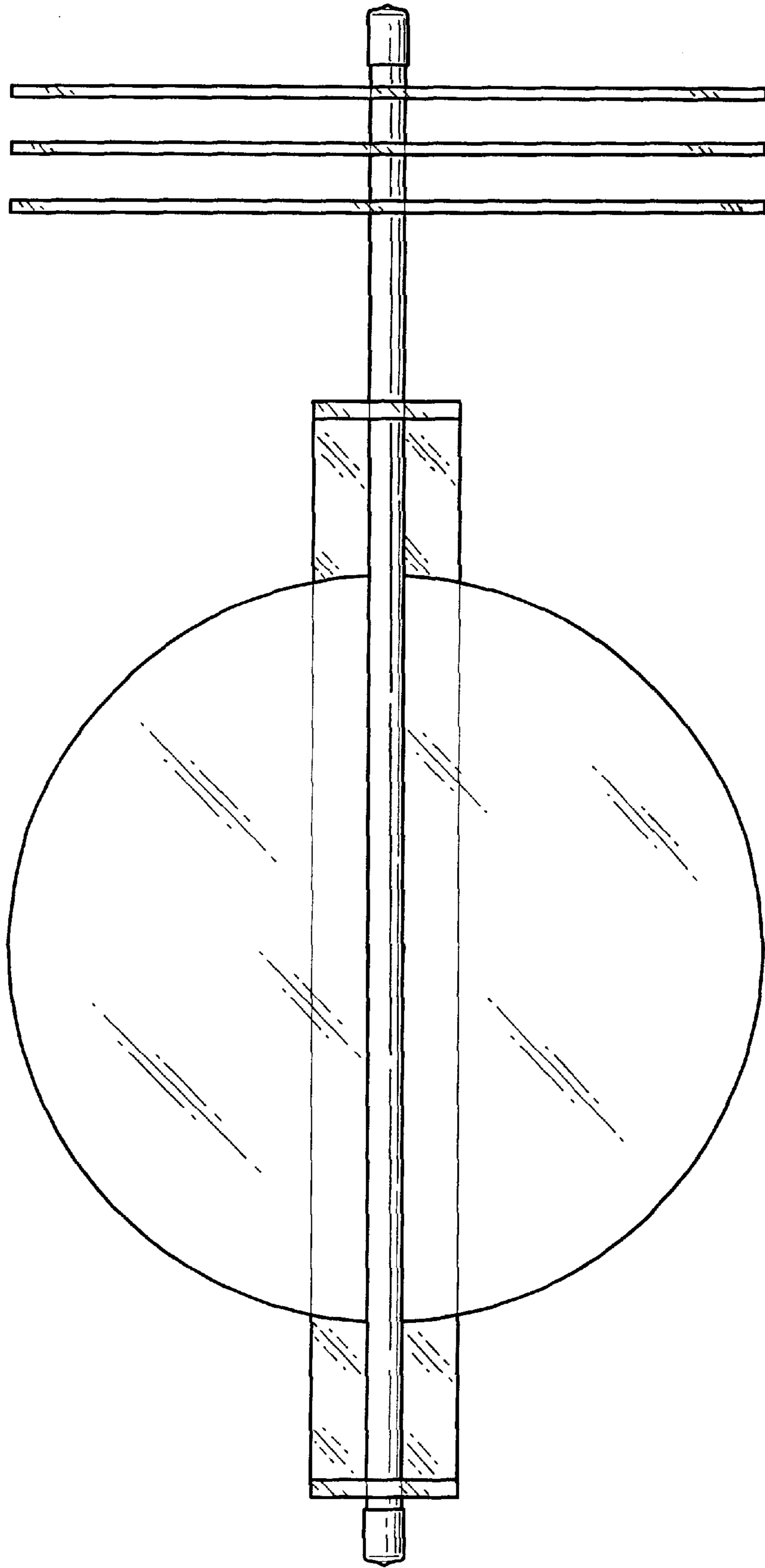
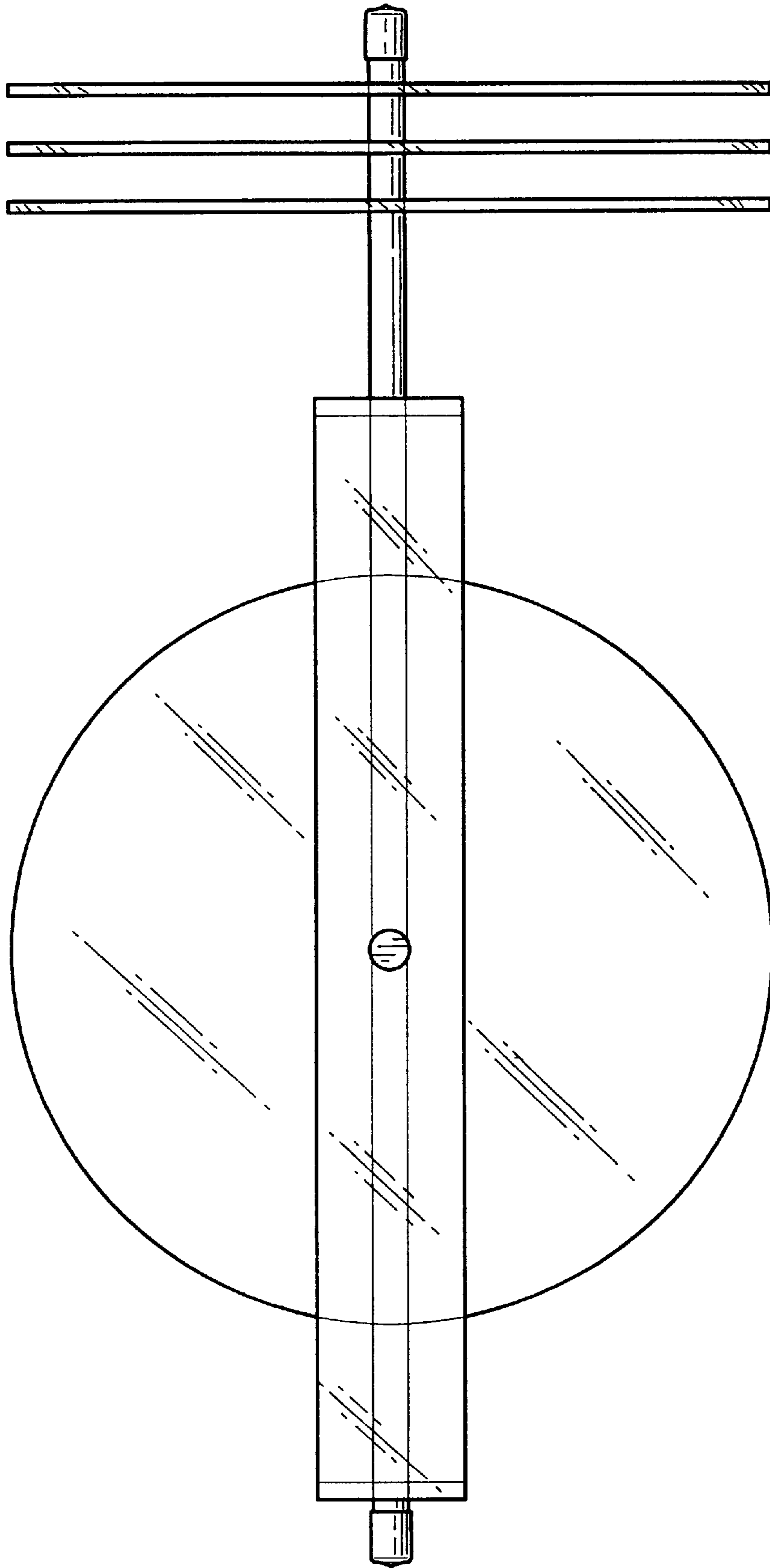


FIG. 6



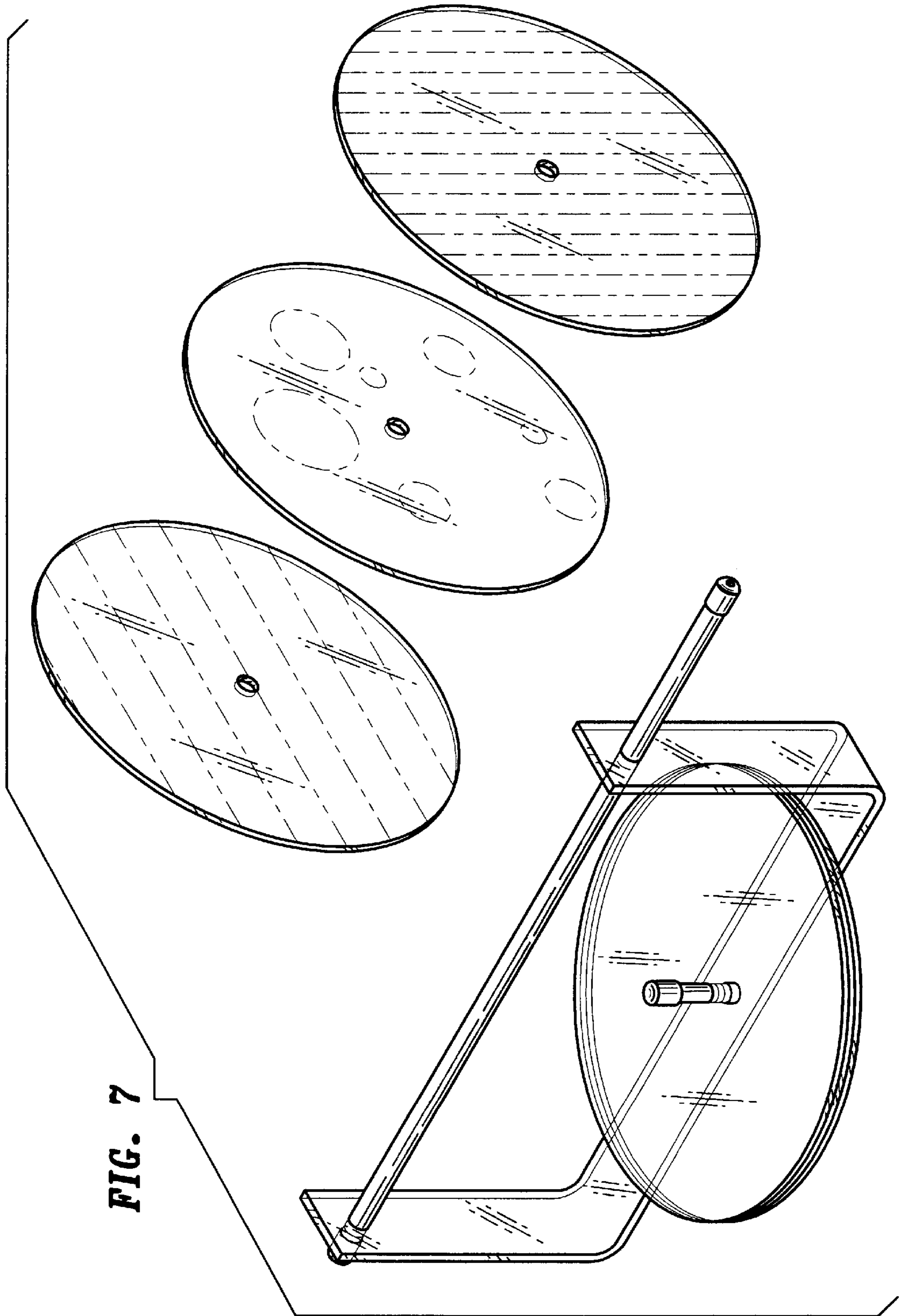


FIG. 7