



US00D412530S

United States Patent [19] Bould

[11] Patent Number: Des. 412,530

[45] Date of Patent: ** Aug. 3, 1999

[54] **RETRACTABLE, LAY-FLAT HANDLE FOR A BINDER**

[75] Inventor: Fred Bould, Palo Alto, Calif.

[73] Assignee: ACCO Brands, Inc., Lincolnshire, Ill.

[**] Term: 14 Years

[21] Appl. No.: 29/076,009

[22] Filed: Aug. 29, 1997

[51] LOC (6) Cl. 19-04

[52] U.S. Cl. D19/32; D19/86; D19/90

[58] Field of Search D19/26, 27, 32, D19/65, 75, 86, 90, 91, 99, 100; 281/43, 34, 45, 51, 15.1; 402/3, 4, 80 R, 503; 40/359; 312/184; D3/281, 282; 248/447

[56] **References Cited**

U.S. PATENT DOCUMENTS

D. 230,697	3/1974	Sullivan	D19/32
D. 332,870	2/1993	Fink et al.	D3/281
D. 347,114	5/1994	Tengvall	D3/281
D. 350,366	9/1994	Kantor	D19/32
379,874	3/1888	Meston et al.	281/43
1,334,020	3/1920	Davison	248/447

1,548,248	8/1925	Binns et al.	281/34
3,790,242	2/1974	Sullivan	312/184
4,445,799	5/1984	Wright et al.	402/4
4,820,073	4/1989	Thomas et al.	312/184 X
5,199,809	4/1993	Semerjian	402/4

Primary Examiner—Martie K. Holtje
Attorney, Agent, or Firm—Pennie & Edmonds LLP

[57] **CLAIM**

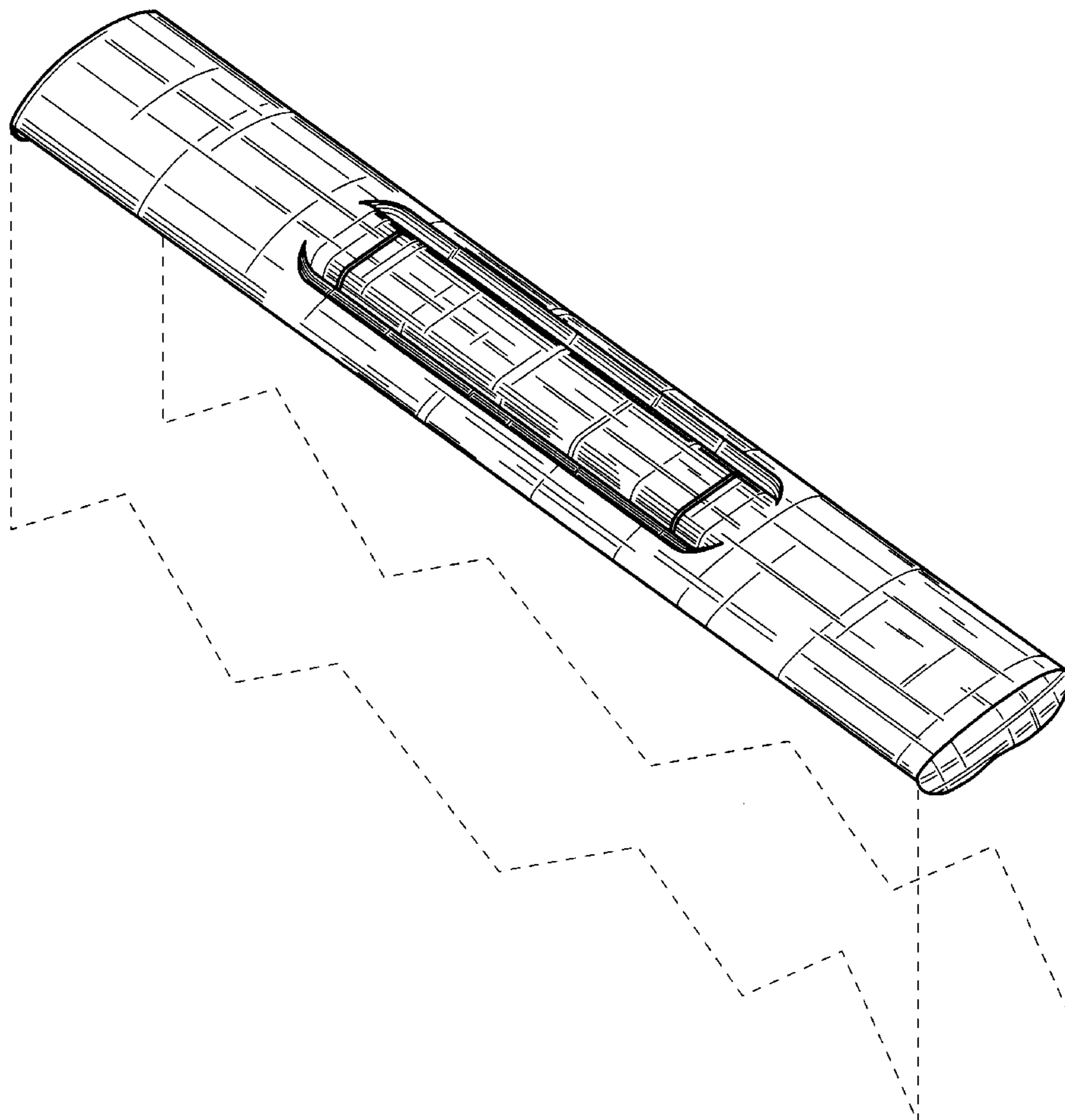
The ornamental design for a retractable, lay-flat handle for a binder, as shown and described.

DESCRIPTION

FIG. 1 is a perspective view of a retractable, lay-flat handle for a binder showing my new design;
FIG. 2 is a top view thereof;
FIG. 3 is an end view thereof;
FIG. 4 is a side view thereof; and,
FIG. 5 is a side view with the retractable, lay-flat handle for a binder in an extended position.

The fragmentary binder cover pieces depicted by means of broken lines in FIGS. 1, 4, and 5 have been shown for illustrative purposes only and form no part of the claimed design.

1 Claim, 3 Drawing Sheets



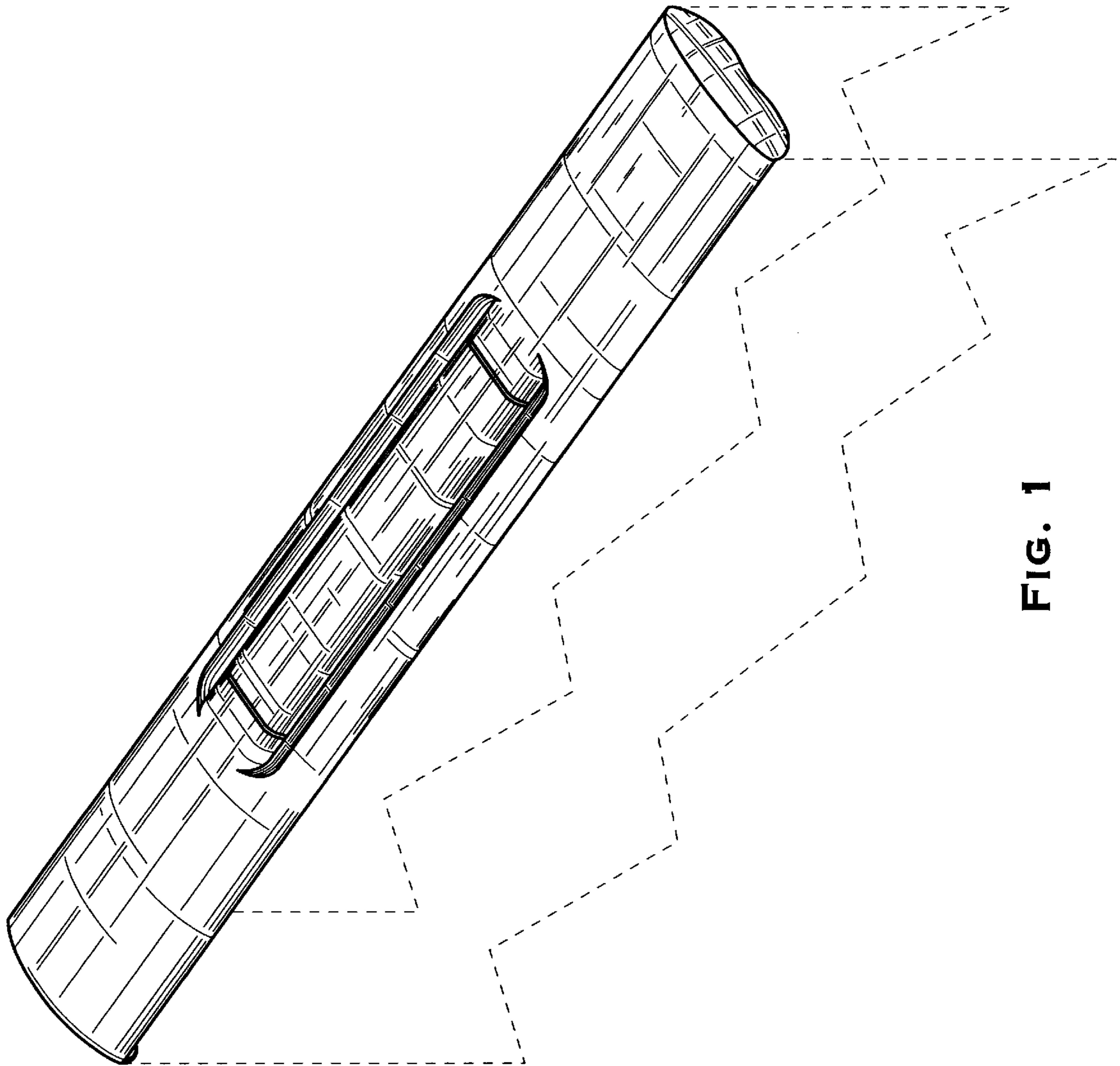


FIG. 1

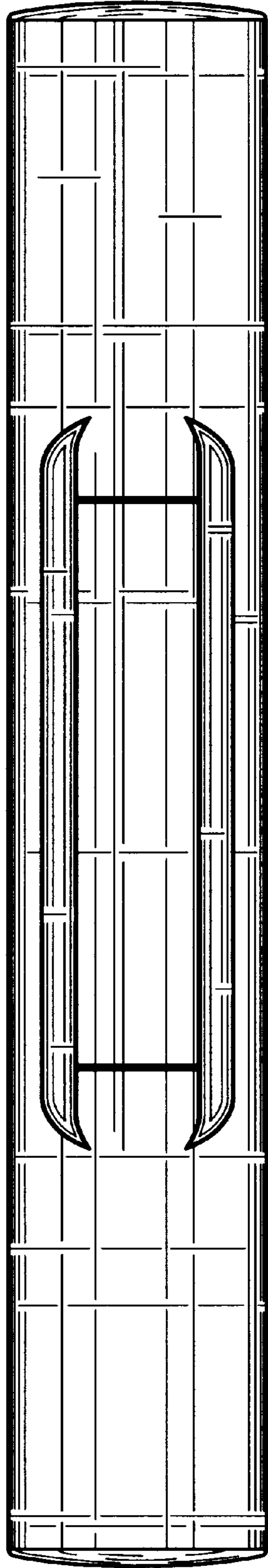


FIG. 2

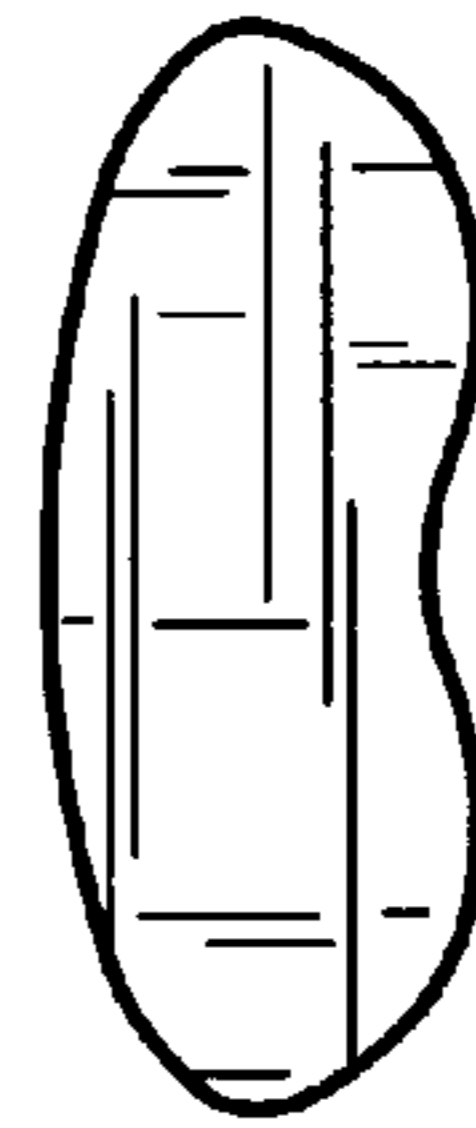


FIG. 3

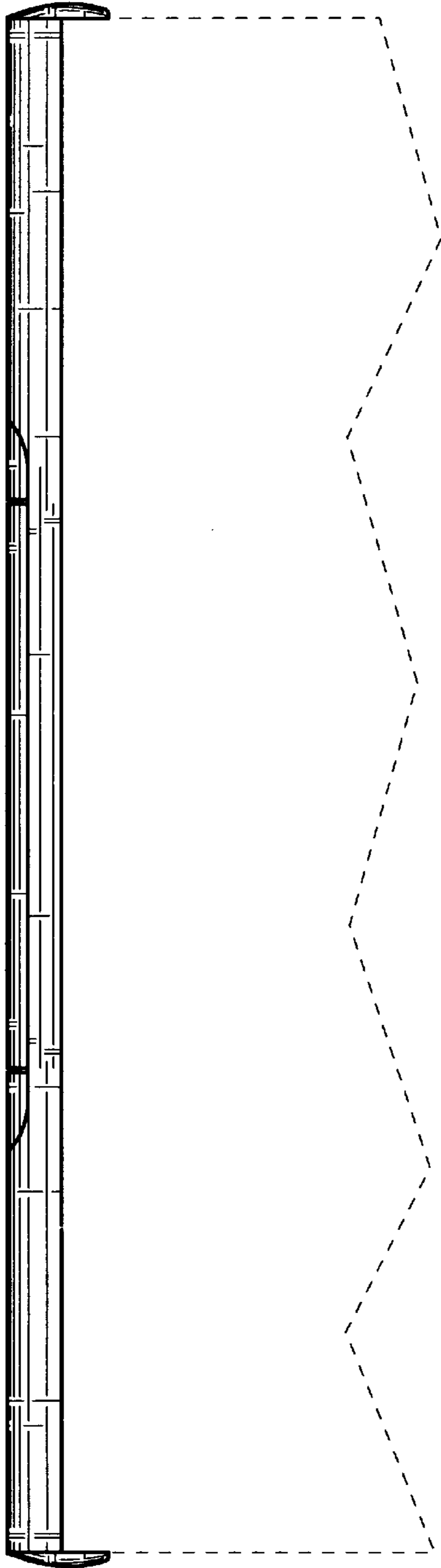


FIG. 4

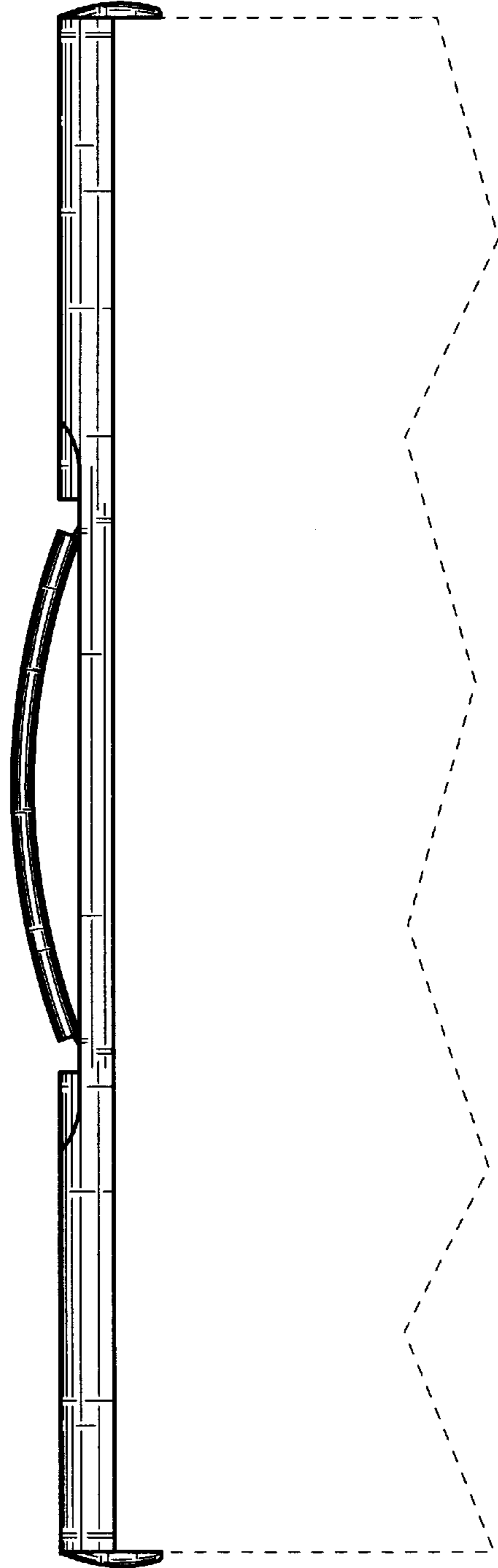


FIG. 5