



US00D412519S

United States Patent [19]

Omino et al.

[11] Patent Number: **Des. 412,519**

[45] Date of Patent: **** Aug. 3, 1999**

[54] CAMERA

[75] Inventors: **Seiichi Omino**, Kawasaki, Japan; **Jih Dah Lih**, Taichung Hsien, Taiwan

[73] Assignee: **Canon Kabushiki Kaisha**, Tokyo, Japan

[**] Term: **14 Years**

[21] Appl. No.: **29/091,642**

[22] Filed: **Aug. 3, 1998**

[30] Foreign Application Priority Data

Feb. 6, 1998 [JP] Japan 10-003252

[51] LOC (6) Cl. **16-01**

[52] U.S. Cl. **D16/218; D16/209**

[58] Field of Search D16/200-205, D16/208, 209, 216-218; 396/535-543

[56] References Cited

U.S. PATENT DOCUMENTS

D. 386,775 11/1997 Shiotani et al. D16/218

| | | | |
|------------|---------|-----------------------|---------|
| D. 394,076 | 5/1998 | Matsumura et al. | D16/209 |
| D. 396,242 | 7/1998 | Ito | D16/209 |
| D. 401,604 | 11/1998 | Ito et al. | D16/218 |
| 5,258,793 | 11/1993 | Tsuji et al. | 396/536 |
| 5,519,466 | 5/1996 | Arai | 396/106 |

Primary Examiner—Adir Aronovich
Attorney, Agent, or Firm—Fitzpatrick, Cella, Harper & Scinto

[57] CLAIM

The ornamental design for a camera, as shown and described.

DESCRIPTION

FIG. 1 is a front view of a camera showing our new design; FIG. 2 is a rear view thereof; FIG. 3 is a top plan view thereof; FIG. 4 is a bottom plan view thereof; FIG. 5 is a left side view thereof; FIG. 6 is a right side view thereof; and, FIG. 7 is a perspective view thereof.

1 Claim, 3 Drawing Sheets

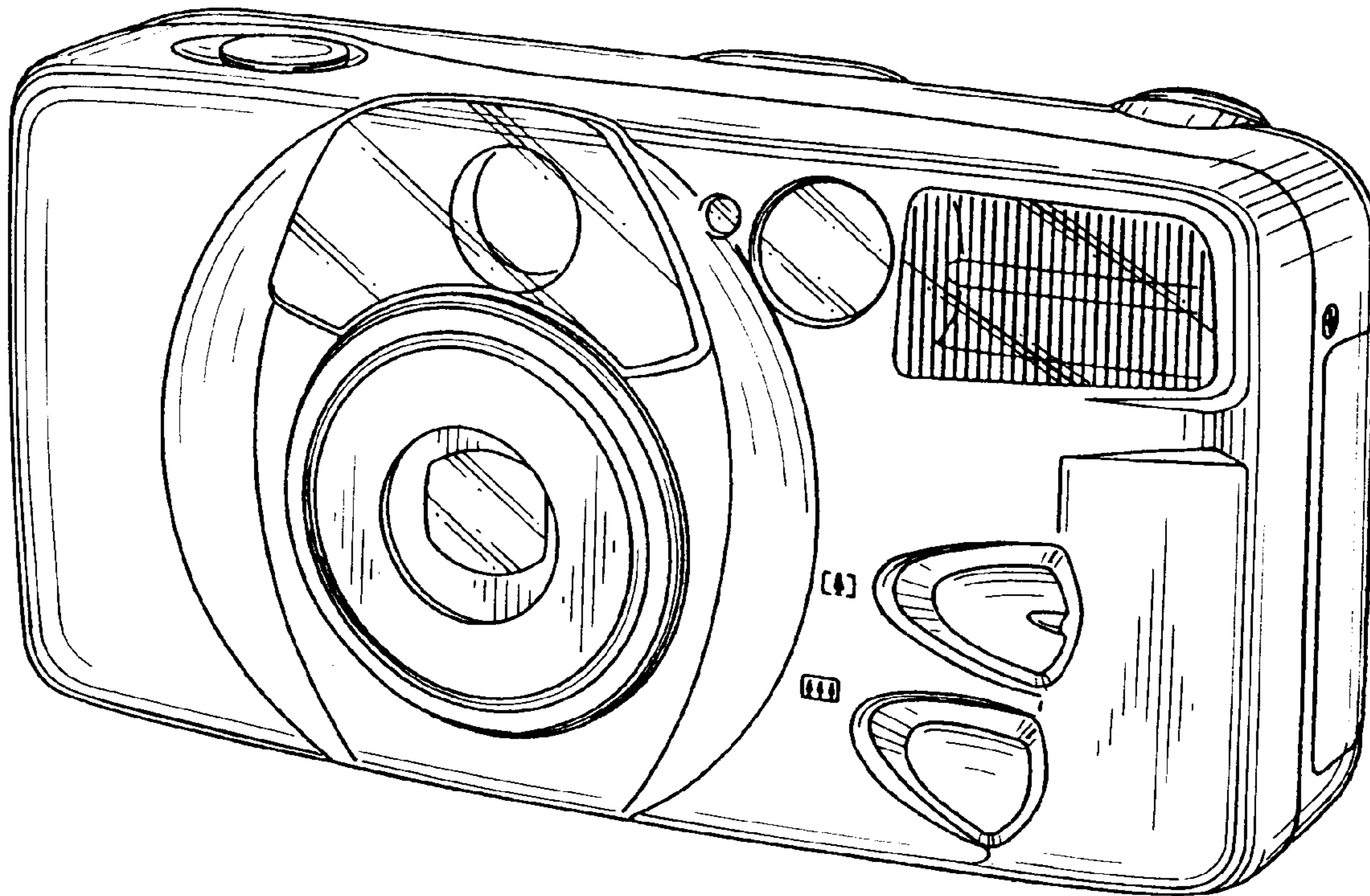


FIG. 1

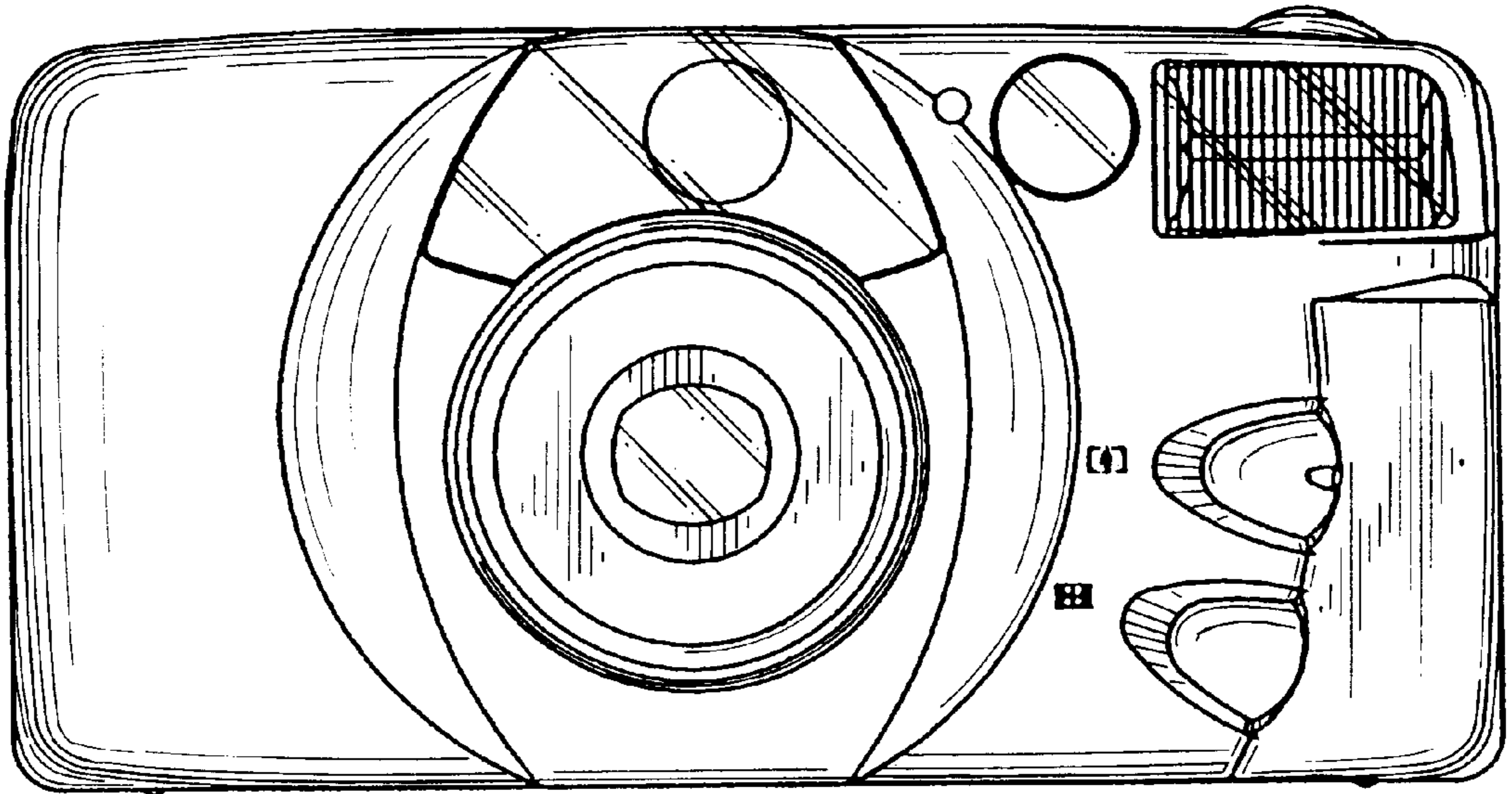


FIG. 2

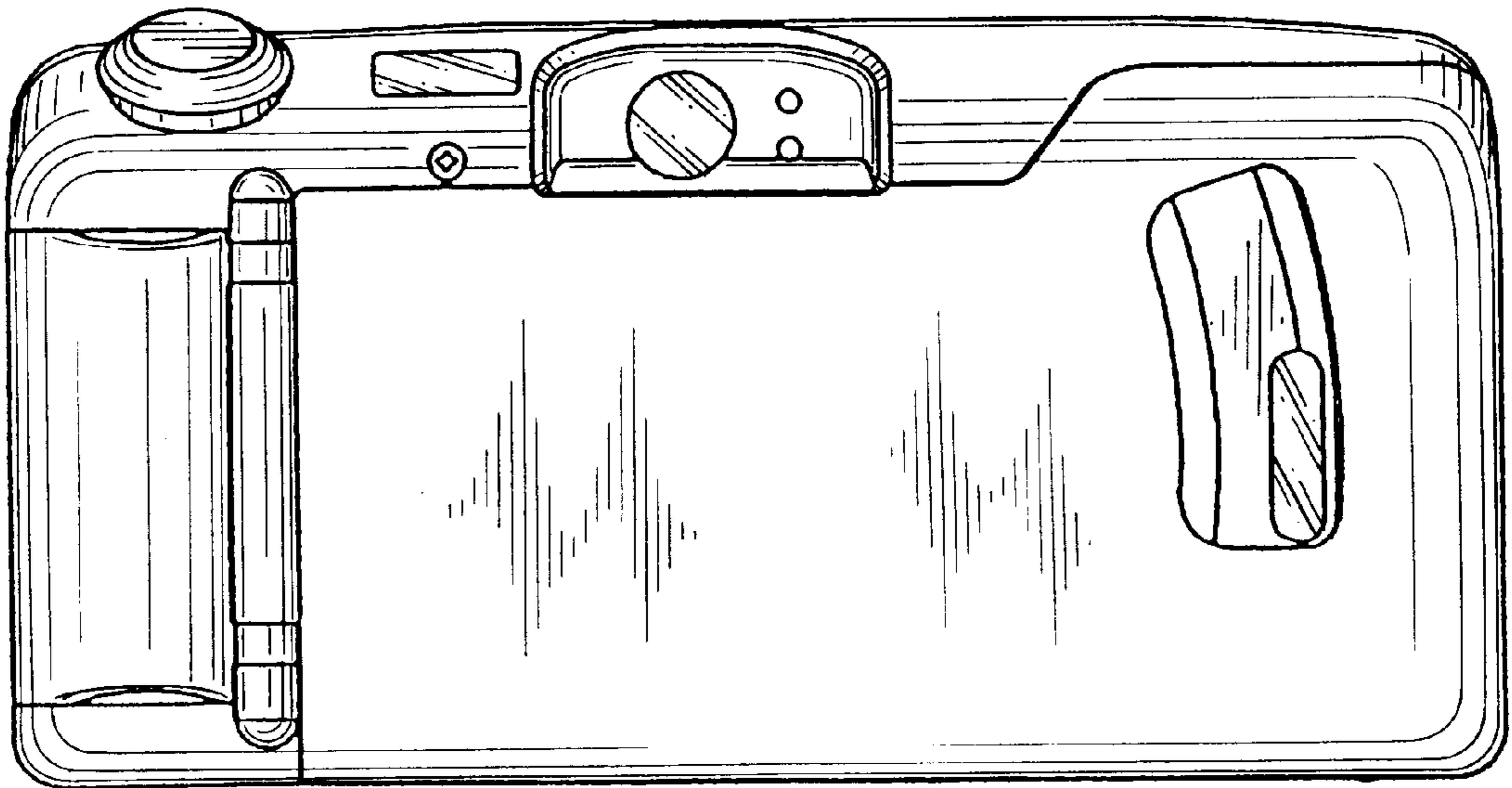


FIG. 3

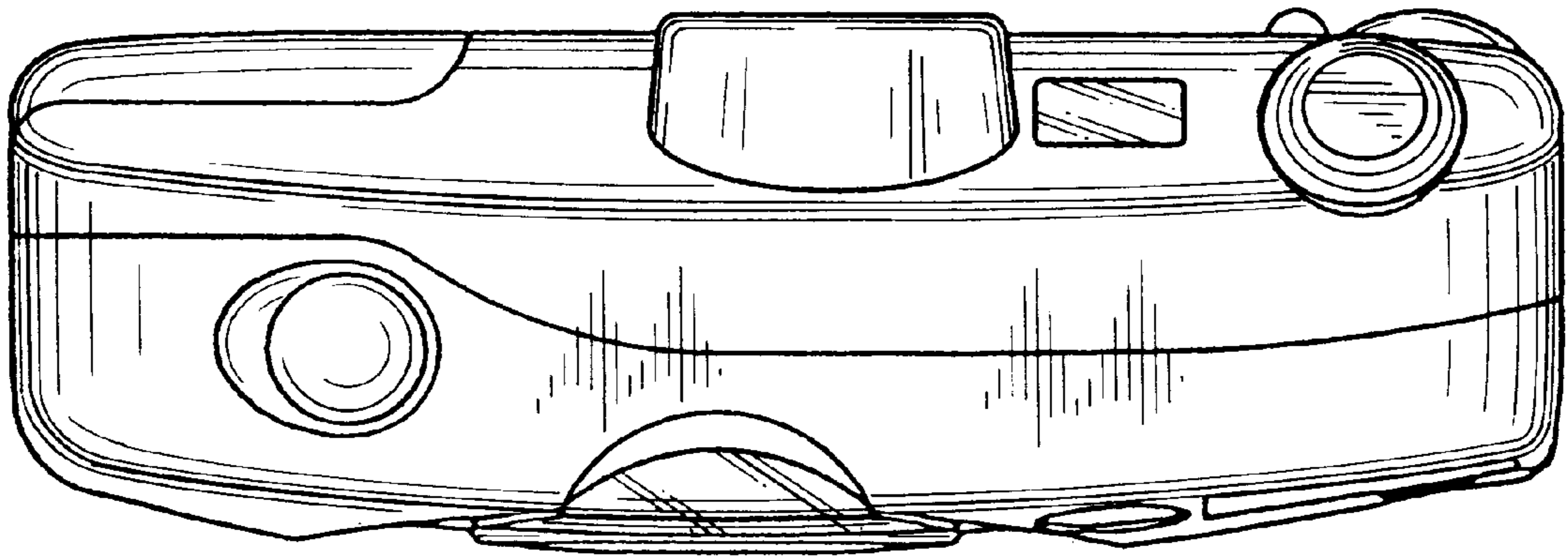


FIG. 4

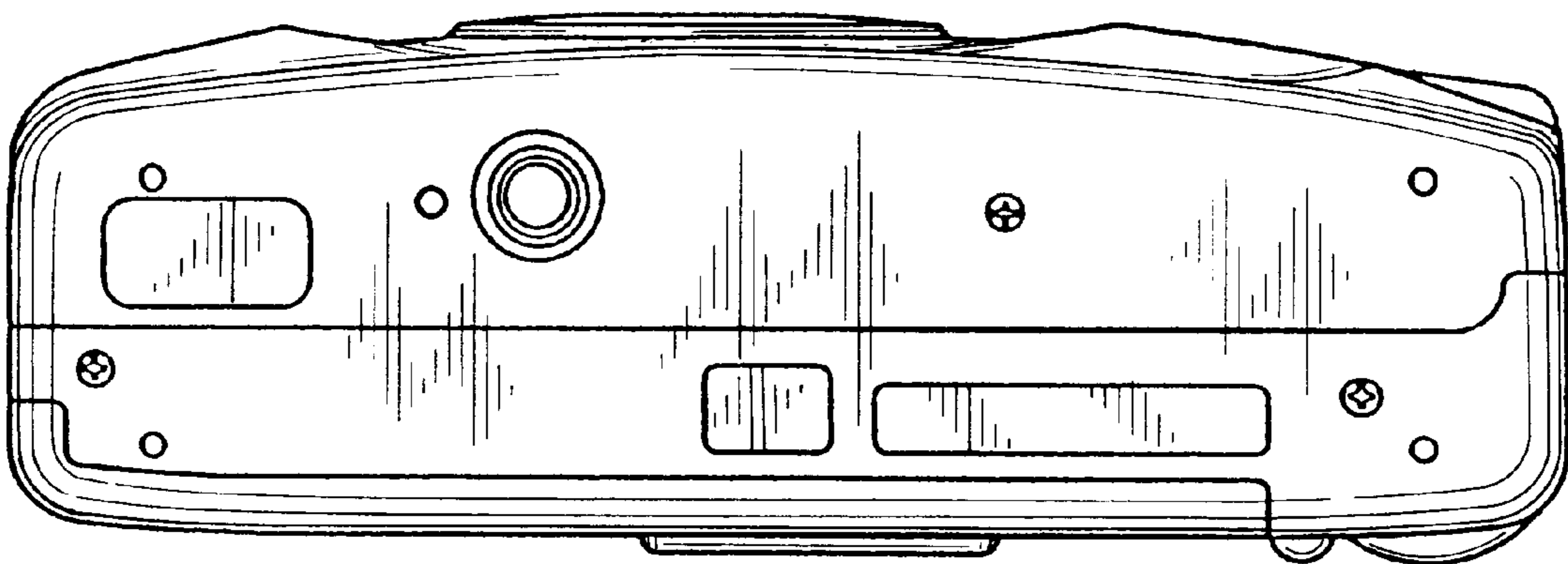


FIG. 5

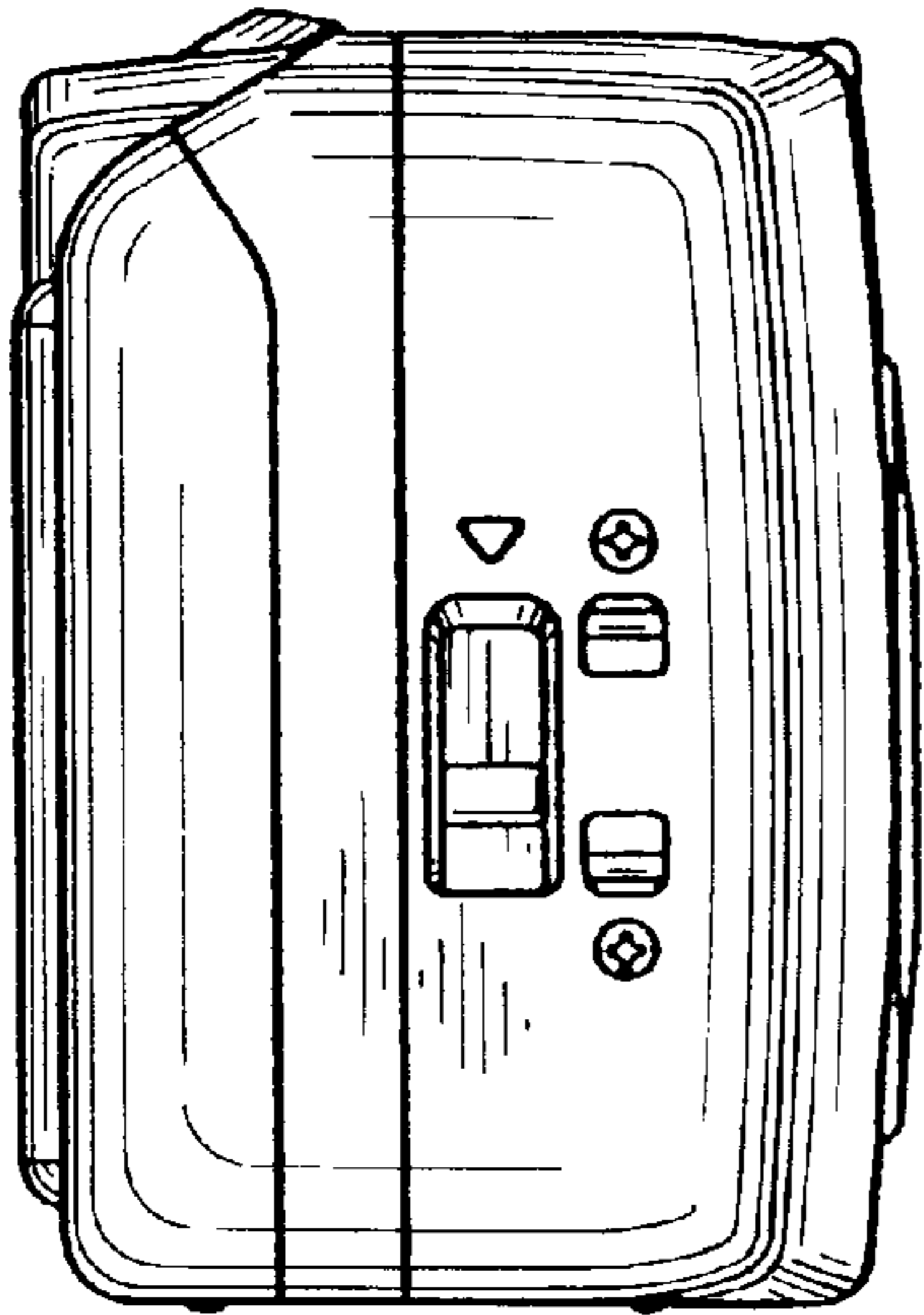


FIG. 6

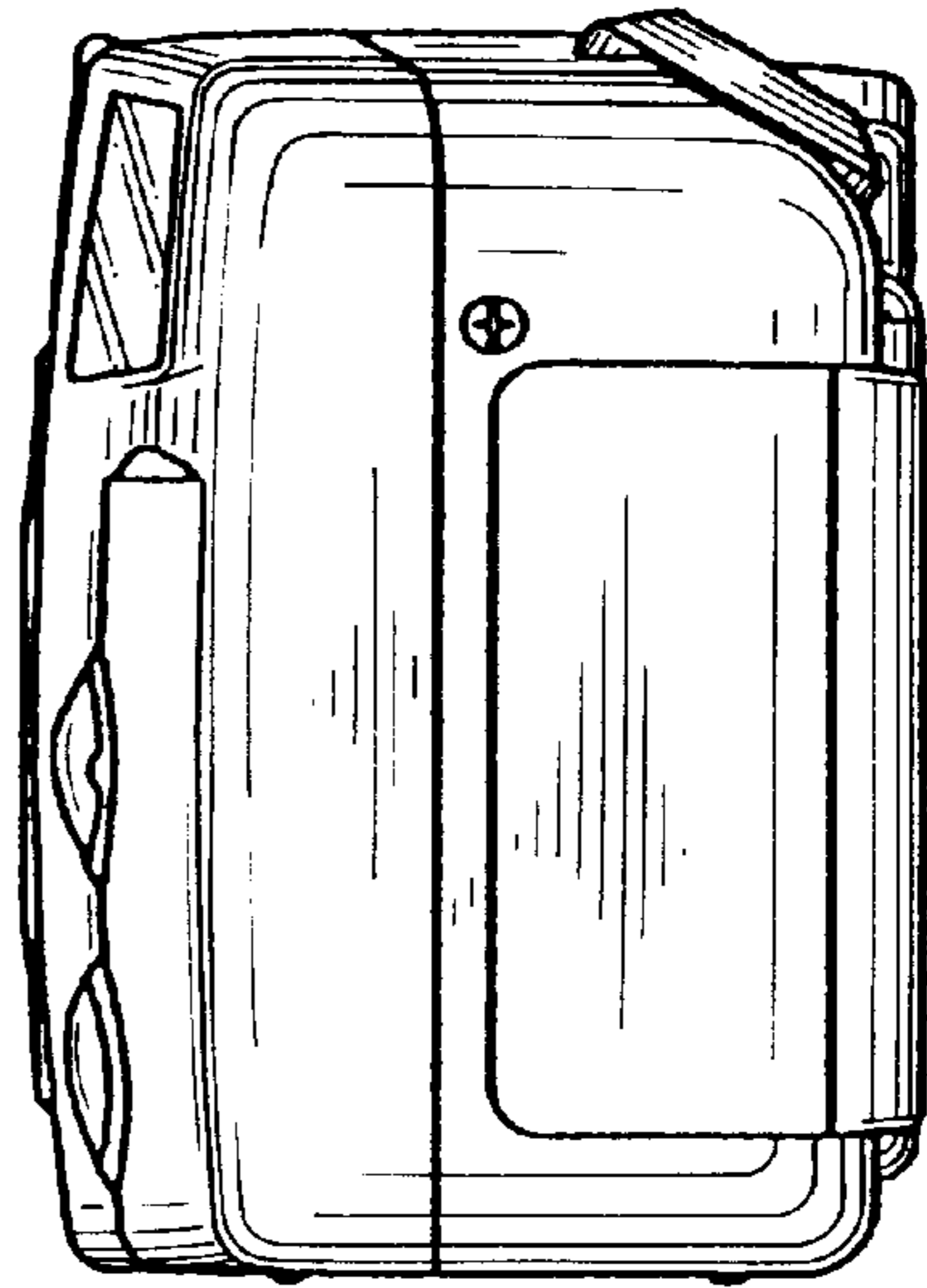


FIG. 7

