



US00D412518S

United States Patent [19] Naito

[11] **Patent Number: Des. 412,518**

[45] **Date of Patent: ** Aug. 3, 1999**

[54] **ELECTRONIC CAMERA**

[75] Inventor: **Yoshitaka Naito**, Ome, Japan

[73] Assignee: **Olympus Optical Co., Ltd.**, Tokyo, Japan

[**] Term: **14 Years**

[21] Appl. No.: **29/092,870**

[22] Filed: **Aug. 28, 1998**

[51] **LOC (6) Cl.** **16-01**

[52] **U.S. Cl.** **D16/212; D16/209**

[58] **Field of Search** **D16/200-205, D16/208, 209, 211-213, 216-218; 396/448, 535-543**

[56] **References Cited**

U.S. PATENT DOCUMENTS

D. 369,372	4/1996	Ishikawa et al.	D16/218
D. 384,684	10/1997	Hamamura	D16/209
D. 389,849	1/1998	Kim	D16/209
D. 392,660	3/1998	Kim et al.	D16/209
D. 394,445	5/1998	Nagaoka	D16/212
4,557,574	12/1985	Kohno et al.	396/448

OTHER PUBLICATIONS

Olympus Catalog of TRIP AF 31, TRIP 300.
Olympus catalog of [mju:] ZOOM, 115 Deluxe.

Olympus catalog of [mju:]–II.

Olympus catalog of [mju:]–II.

Primary Examiner—Adir Aronovich
Attorney, Agent, or Firm—Laff, Whitesel, Conte & Saret, Ltd.

[57] **CLAIM**

The ornamental design for an electronic camera, as shown and described.

DESCRIPTION

FIG. 1 is a front, top and left side perspective view of electronic camera, showing my new design;
FIG. 2 is a rear, top and right side perspective view thereof;
FIG. 3 is a top plan view thereof;
FIG. 4 is a front elevational view thereof;
FIG. 5 is a bottom plan view thereof;
FIG. 6 is a rear elevational view thereof;
FIG. 7 is a right side elevational view thereof;
FIG. 8 is a left side elevational view thereof;
FIG. 9 is a front, top and left side perspective view with a cover opened, an electronic flash unit in a raised position and a lens-barrel extended; and,
FIG. 10 is a front elevational view thereof, with a cover opened and electronic flash unit in a raised position.

1 Claim, 5 Drawing Sheets

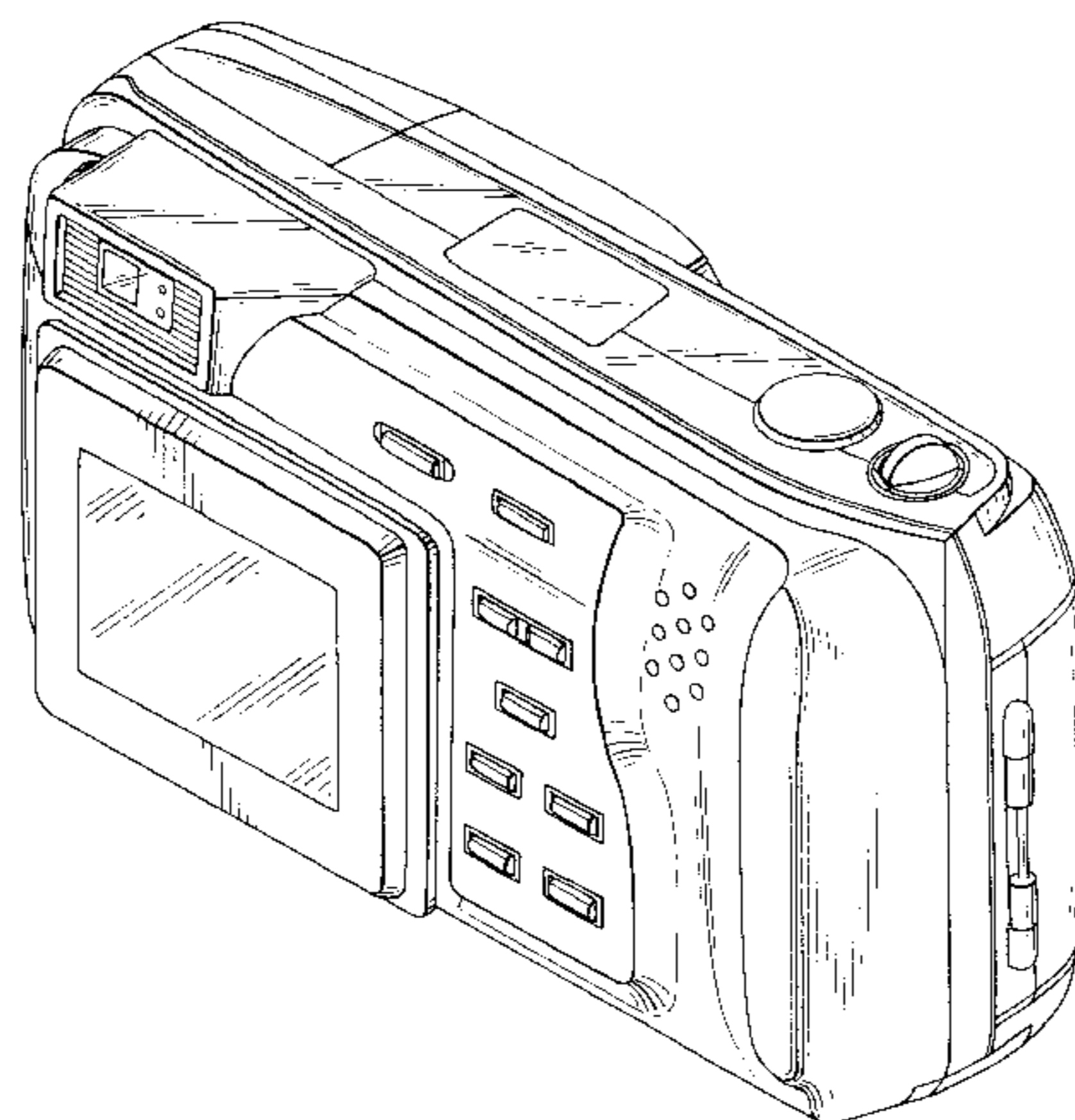
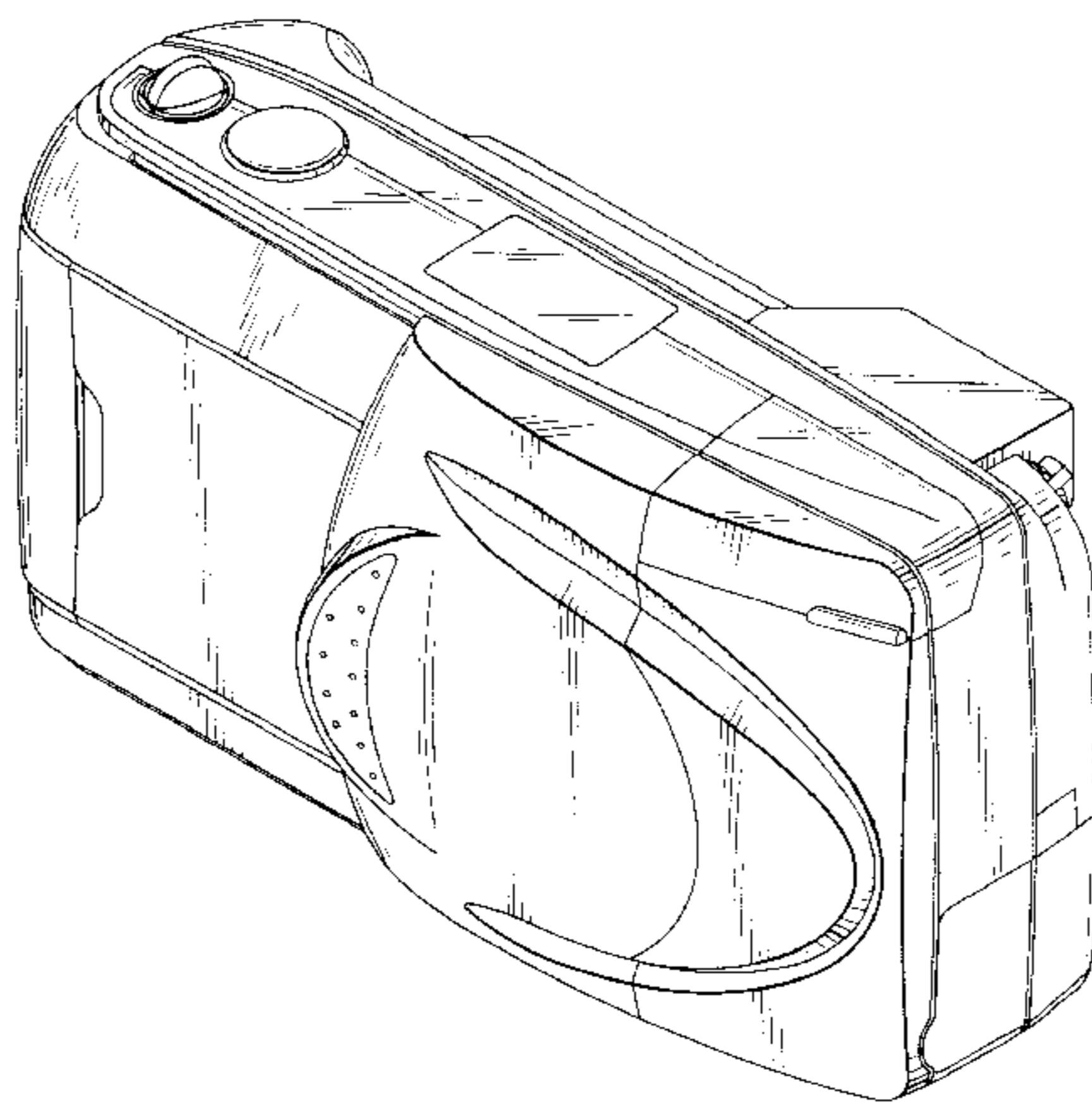


FIG. 1

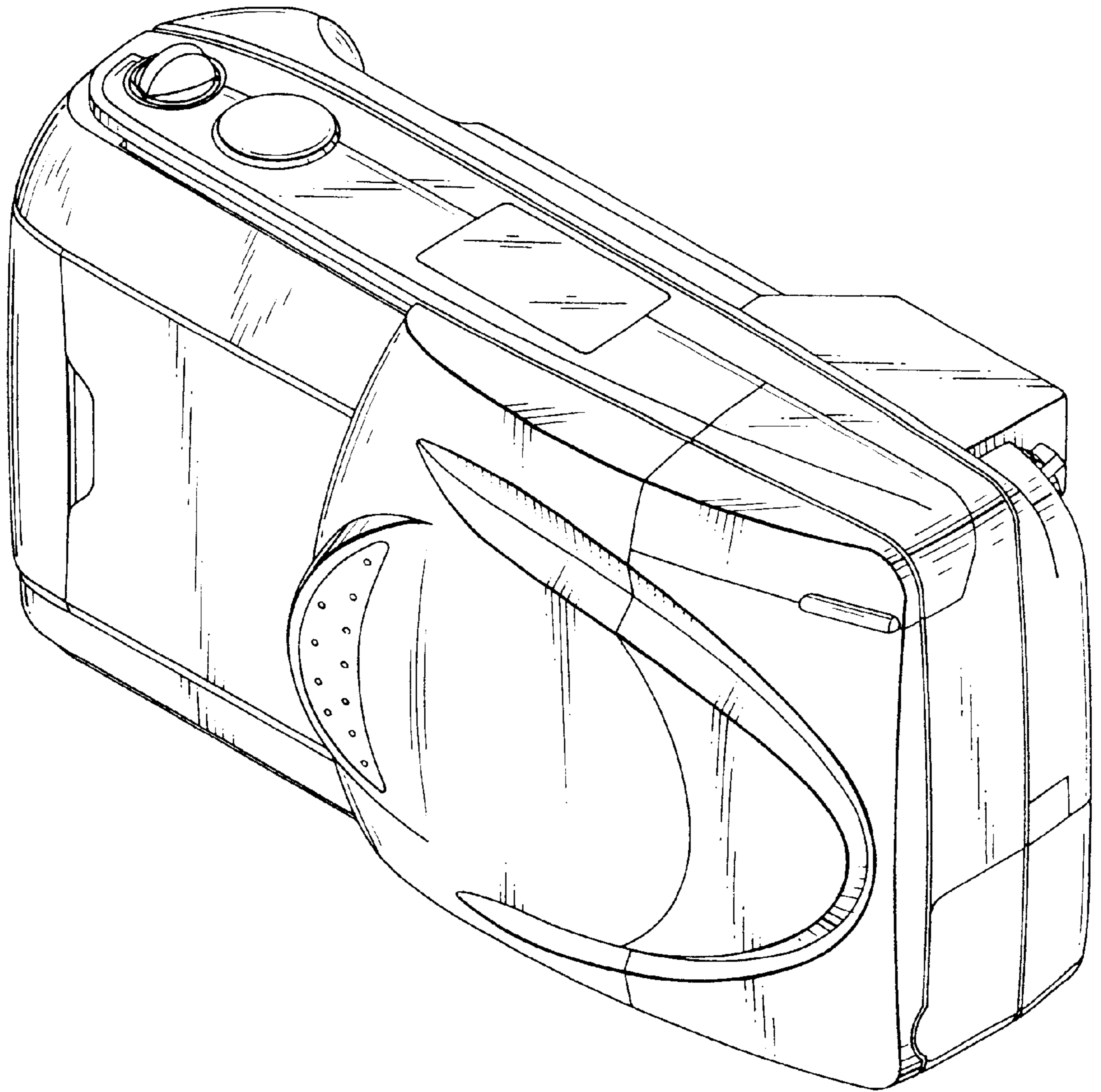


FIG. 2

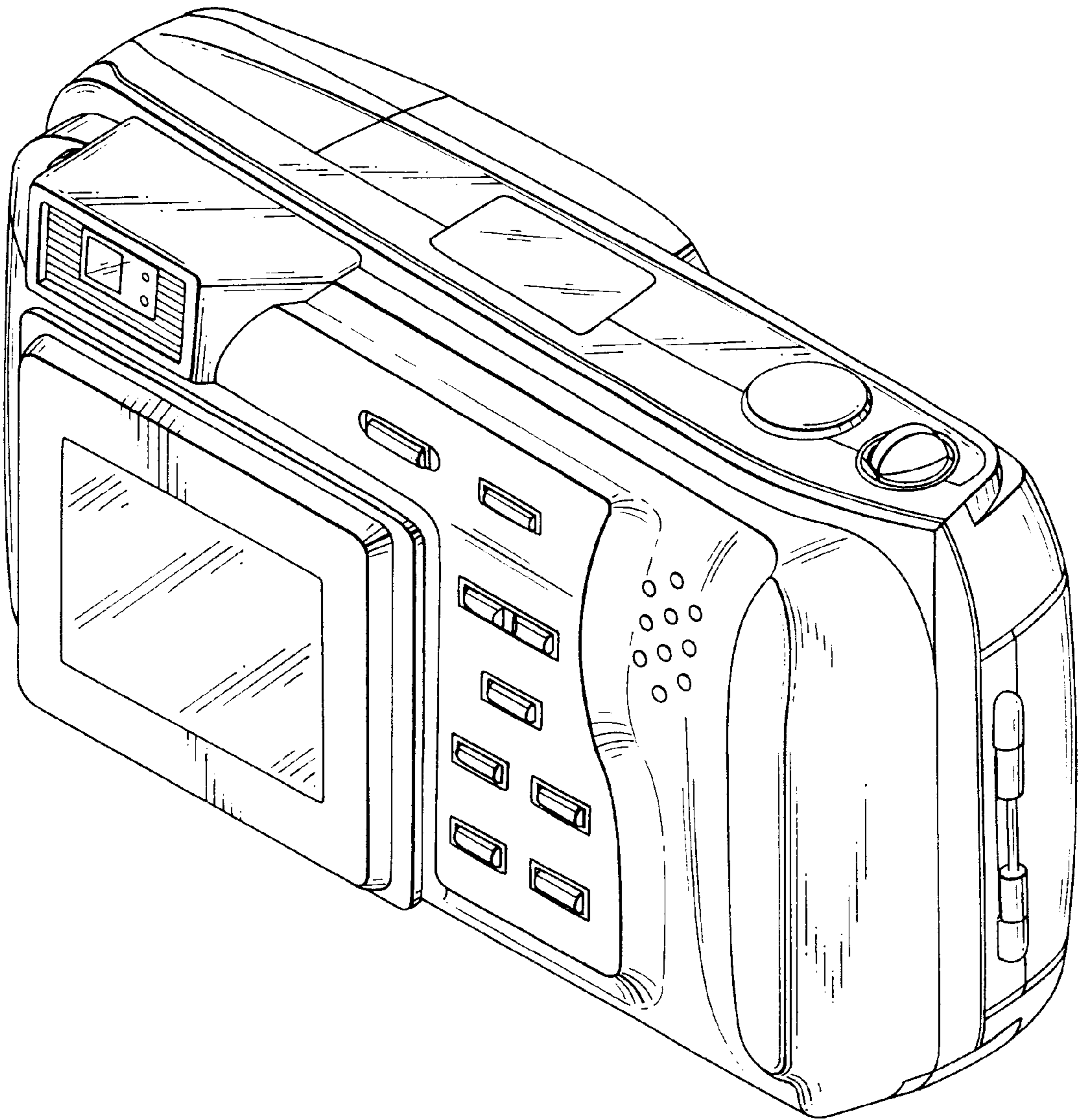


FIG. 3

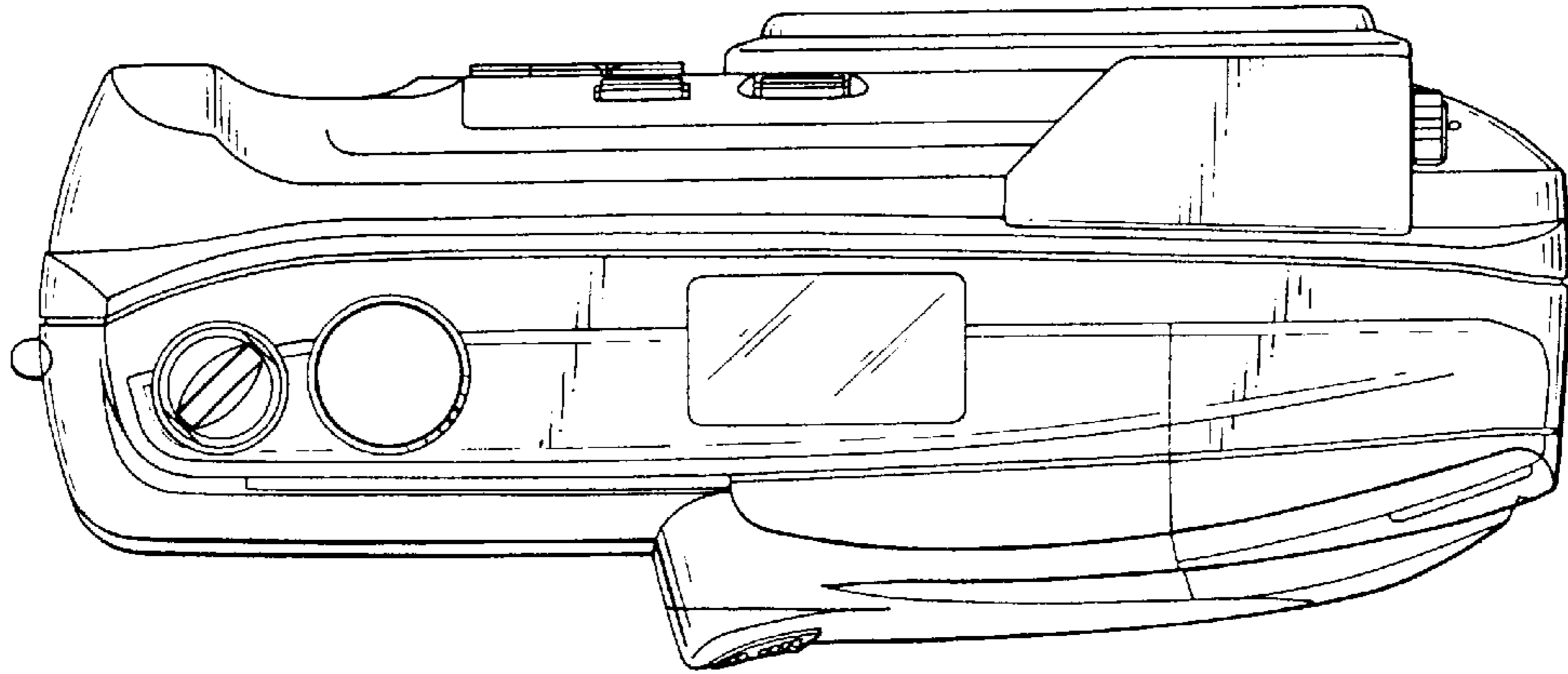


FIG. 4

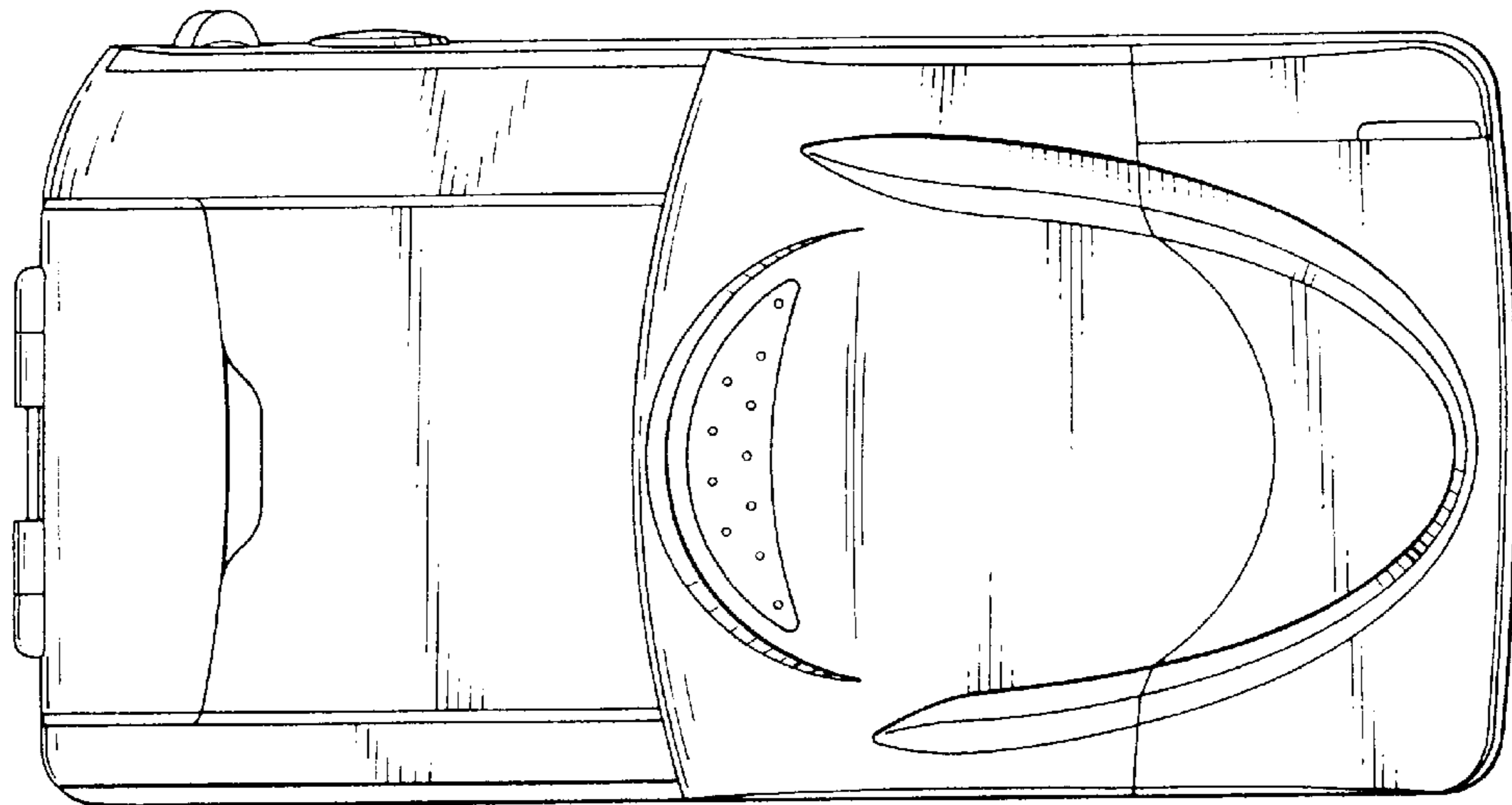


FIG. 5

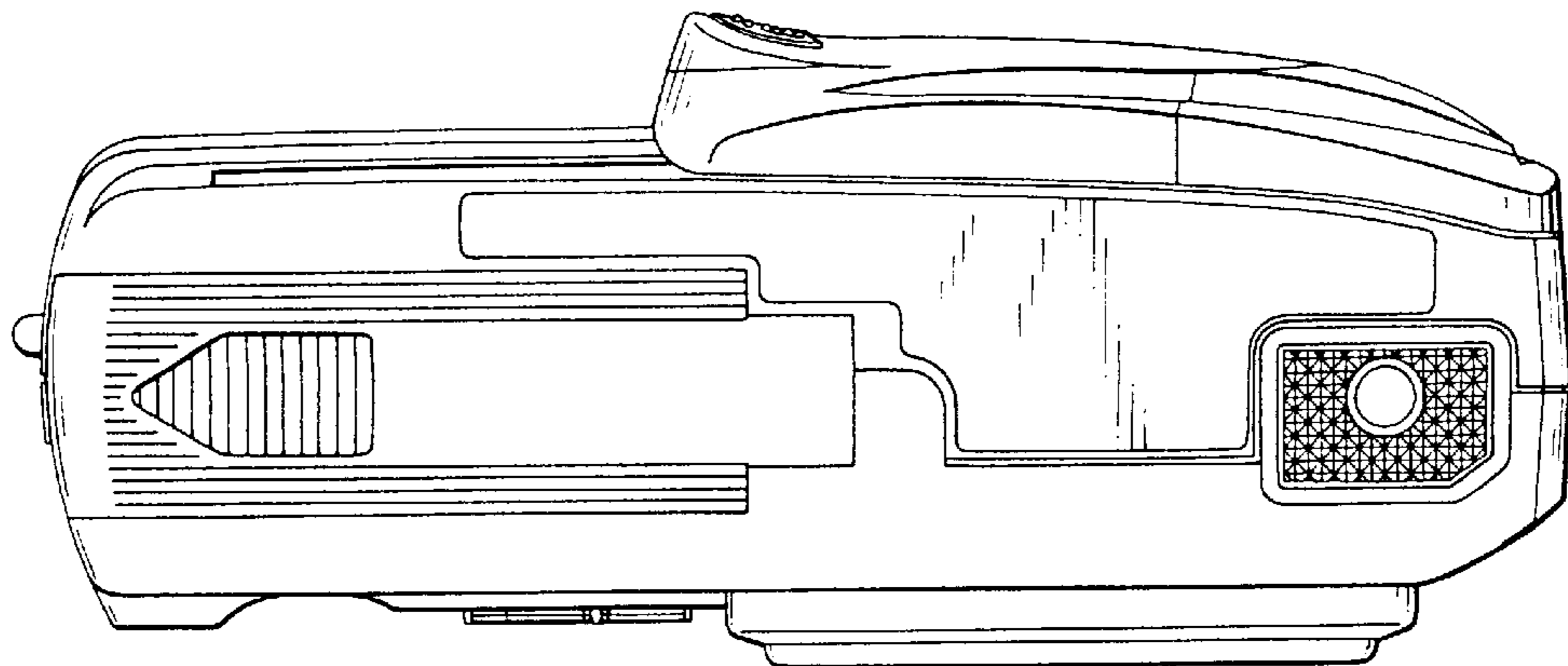


FIG. 6

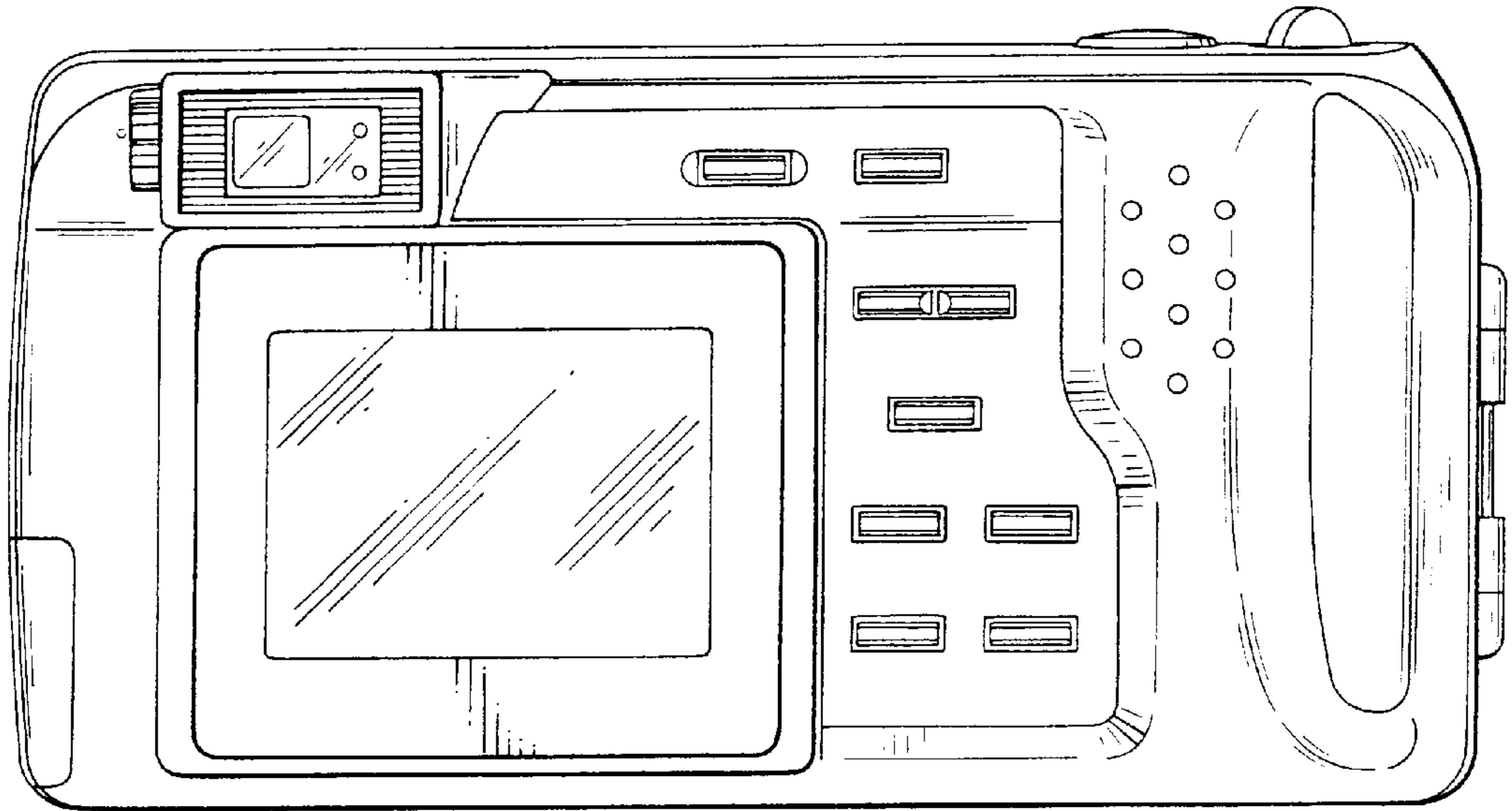


FIG. 7

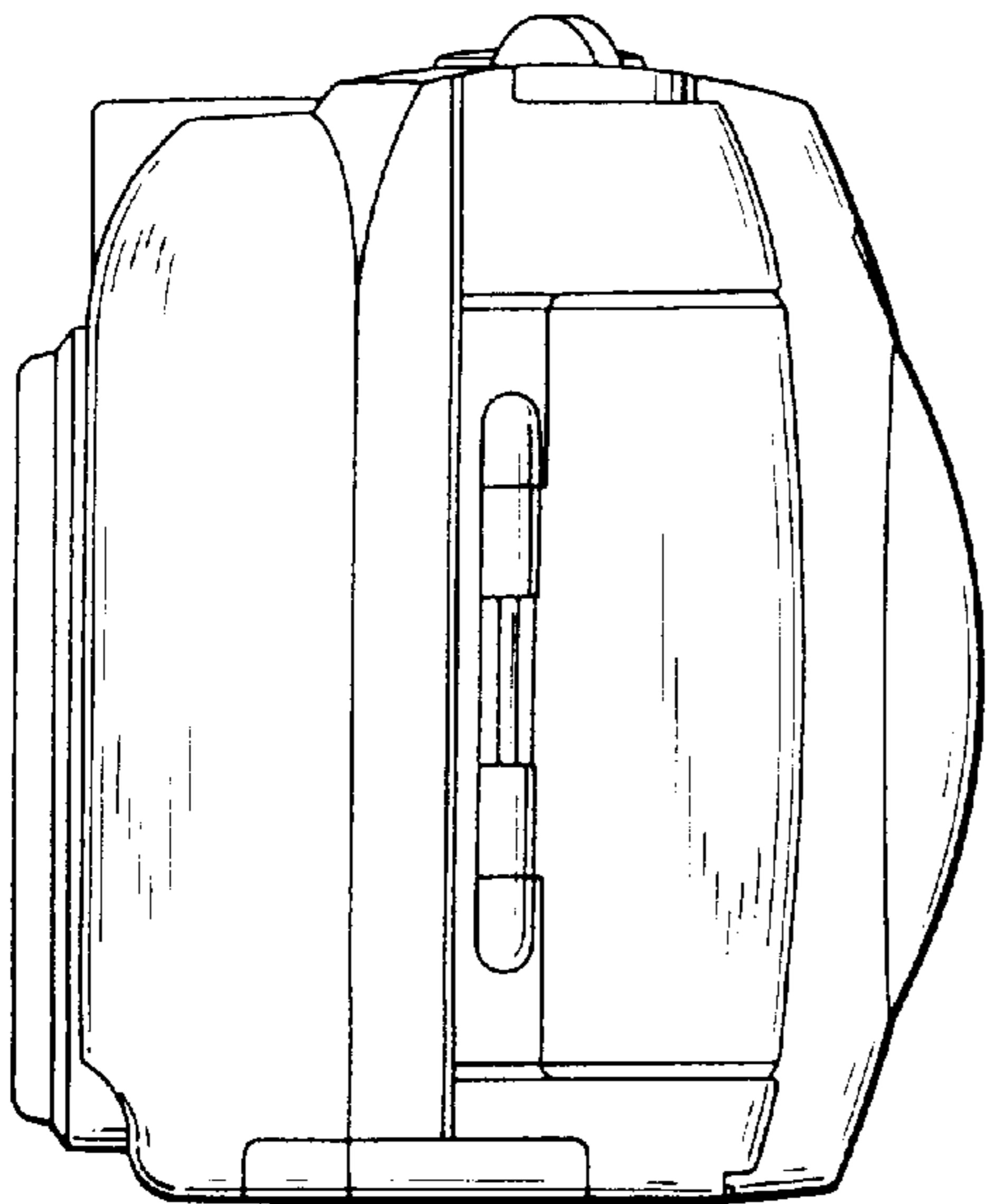


FIG. 8

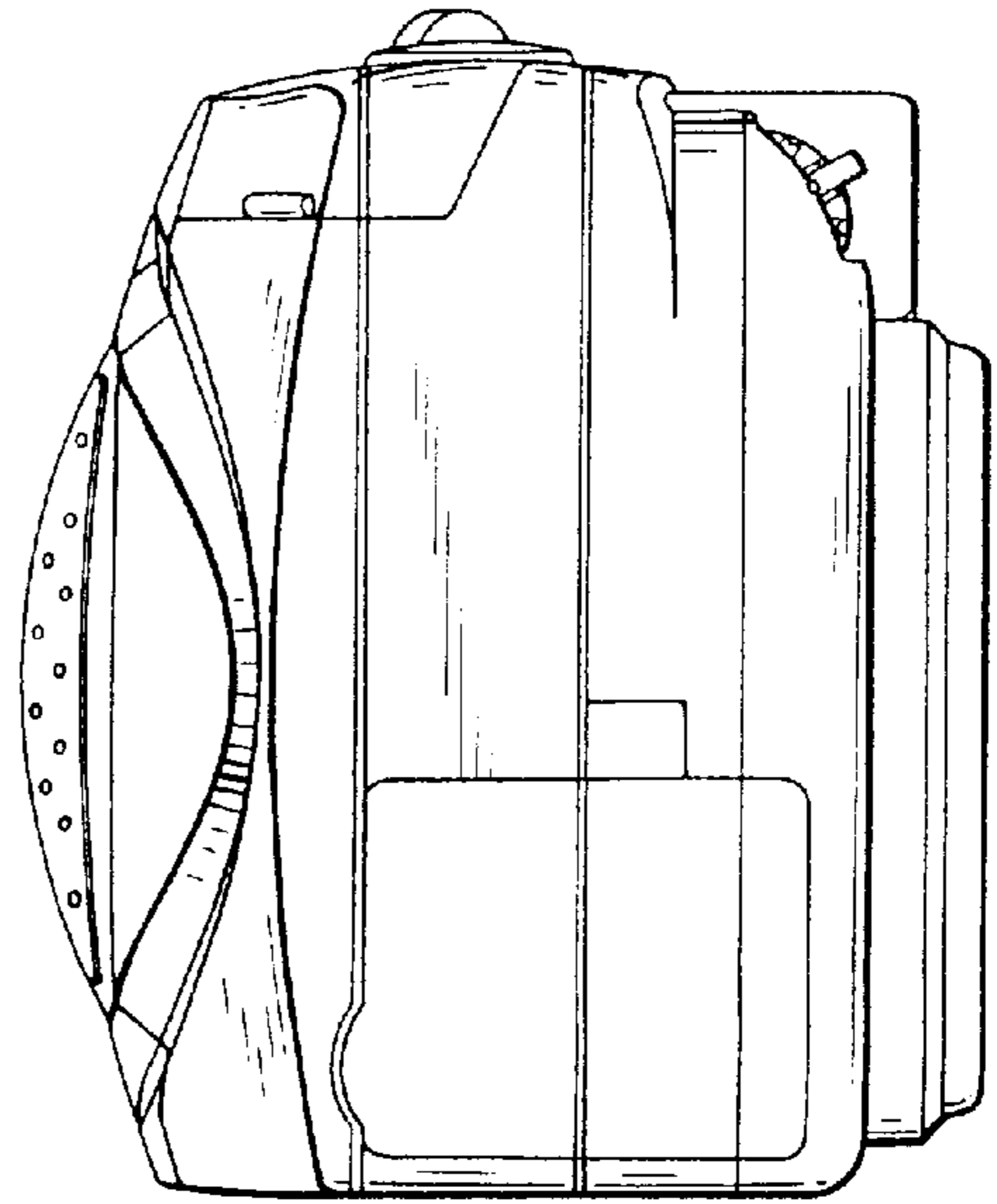


FIG. 9

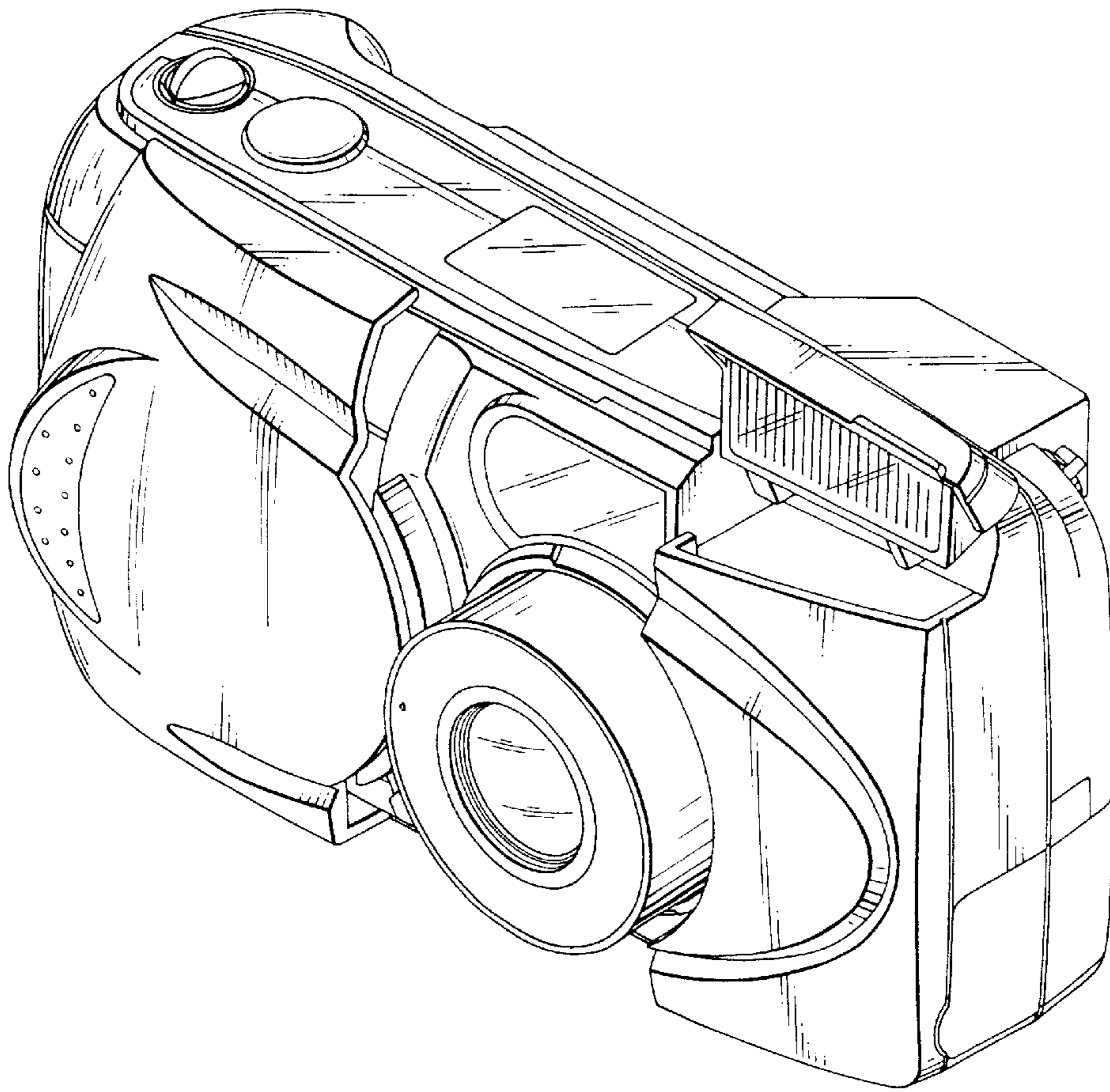


FIG. 10

