



US00D412516S

# United States Patent [19] Yoshida

[11] **Patent Number: Des. 412,516**

[45] **Date of Patent: \*\* Aug. 3, 1999**

[54] **CAMERA**

[75] Inventor: **Koji Yoshida**, Tokyo, Japan

[73] Assignee: **Fuji Photo Film Co., Ltd.**, Kanagawa, Japan

[\*\*] Term: **14 Years**

[21] Appl. No.: **29/098,528**

[22] Filed: **Dec. 30, 1998**

[30] **Foreign Application Priority Data**

Jul. 3, 1998 [JP] Japan ..... 10-19214

[51] **LOC (6) Cl.** ..... **16-01**

[52] **U.S. Cl.** ..... **D16/209**

[58] **Field of Search** ..... D16/200-205,  
D16/208, 209, 211-213, 216-218; 396/84,  
176, 535-543

[56] **References Cited**

**U.S. PATENT DOCUMENTS**

D. 353,389 12/1994 Shirai ..... D16/209  
D. 386,183 11/1997 Katayama ..... D16/209  
D. 388,805 1/1998 Katayama ..... D16/209

D. 397,129 8/1998 Eto et al. .... D16/209  
4,990,945 2/1991 Cho et al. .... 396/84

*Primary Examiner*—Adir Aronovich  
*Attorney, Agent, or Firm*—Young & Thompson

[57] **CLAIM**

The ornamental design for a camera, as shown and described.

**DESCRIPTION**

FIG. 1 is a top, front and side perspective view of a camera showing my new design;  
FIG. 2 is a front elevational view thereof;  
FIG. 3 is a rear elevational view thereof;  
FIG. 4 is a top plan view thereof;  
FIG. 5 is a bottom plan view thereof;  
FIG. 6 is a side elevational view thereof taken from the right of FIG. 2;  
FIG. 7 is a side elevational view thereof taken from the left of FIG. 2;  
FIG. 8 is a view similar to FIG. 1 but with the parts thereof in a different position; and,  
FIG. 9 is a view similar to FIG. 2 but with the parts in a different position.

**1 Claim, 5 Drawing Sheets**

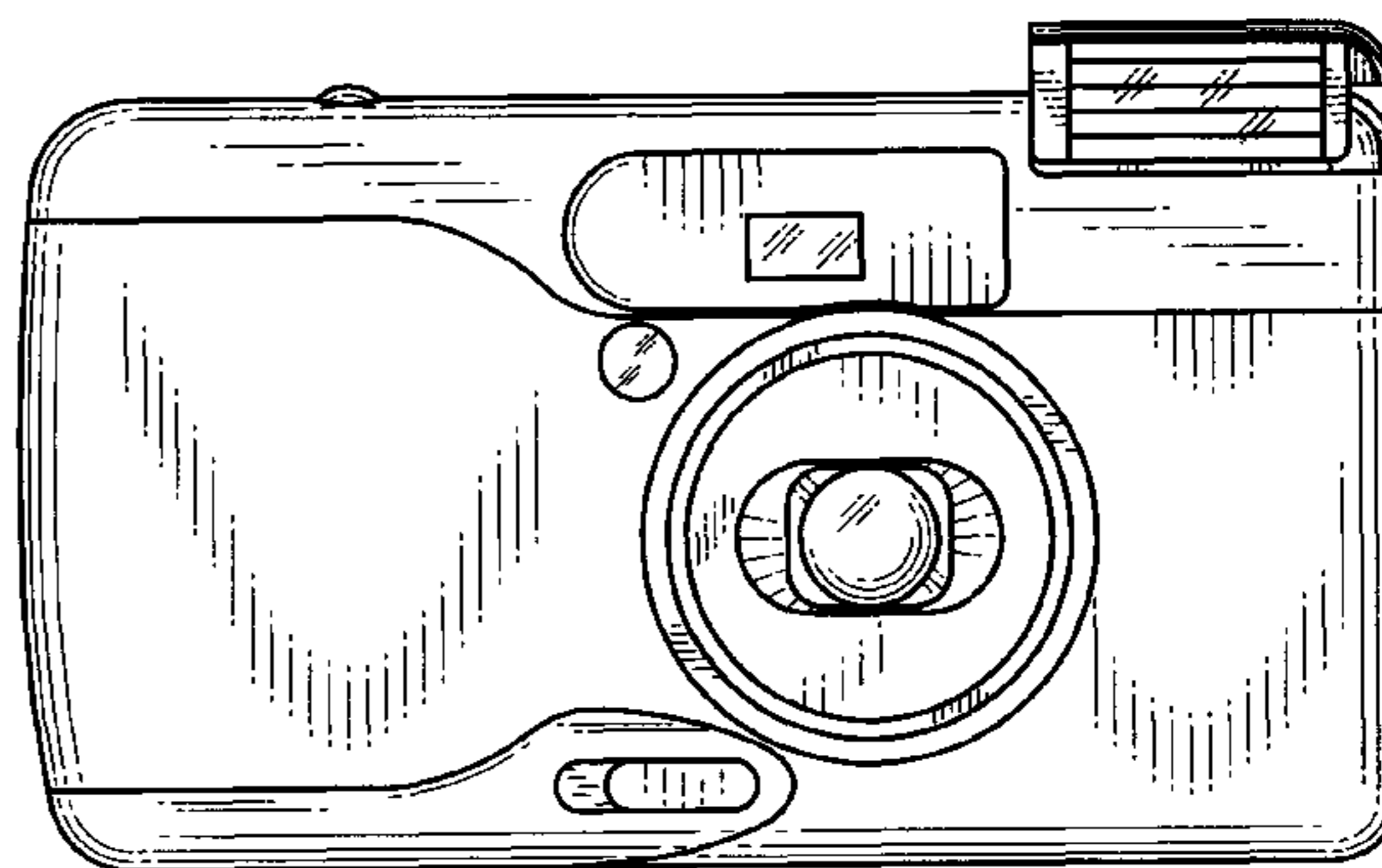
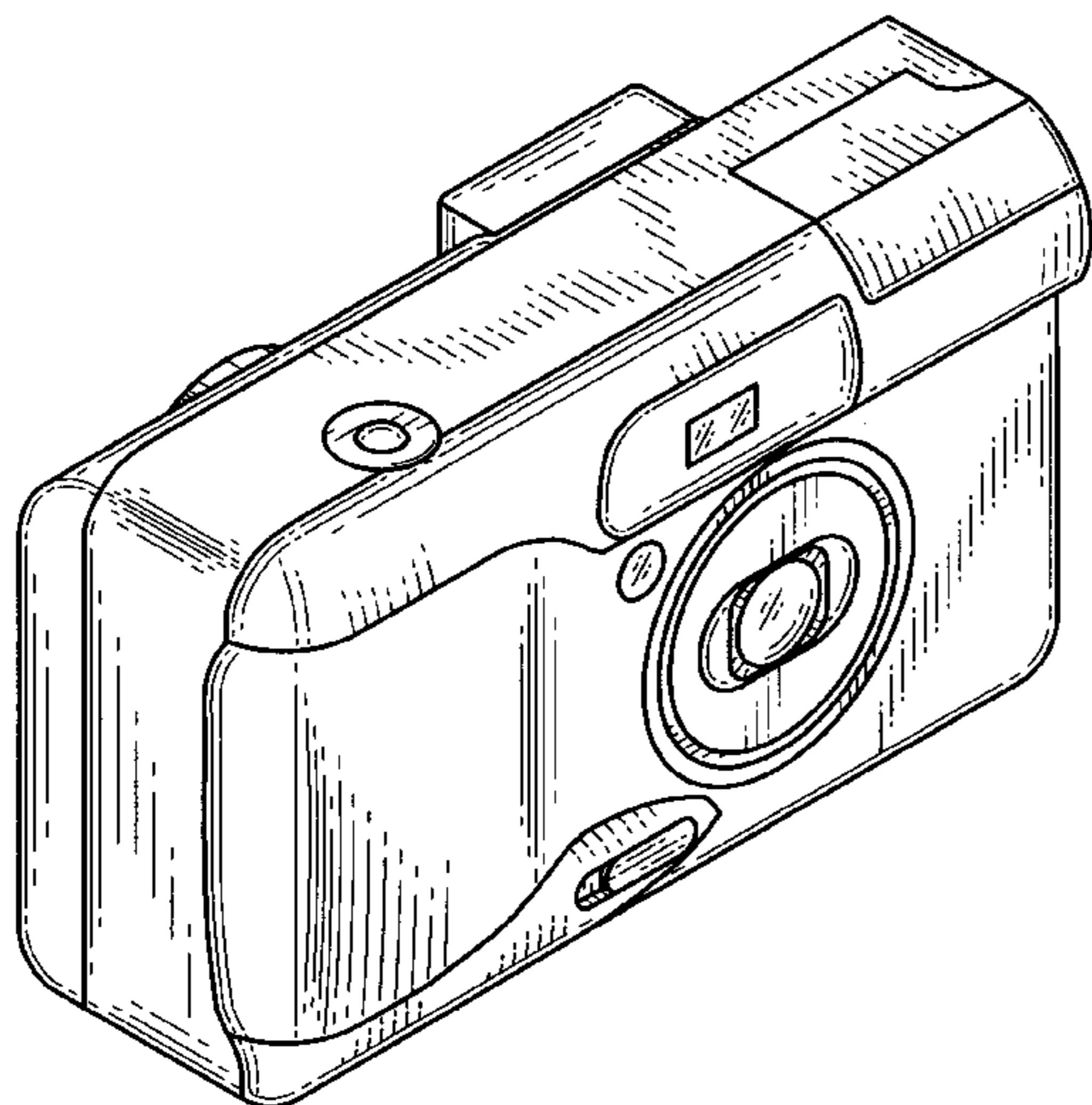
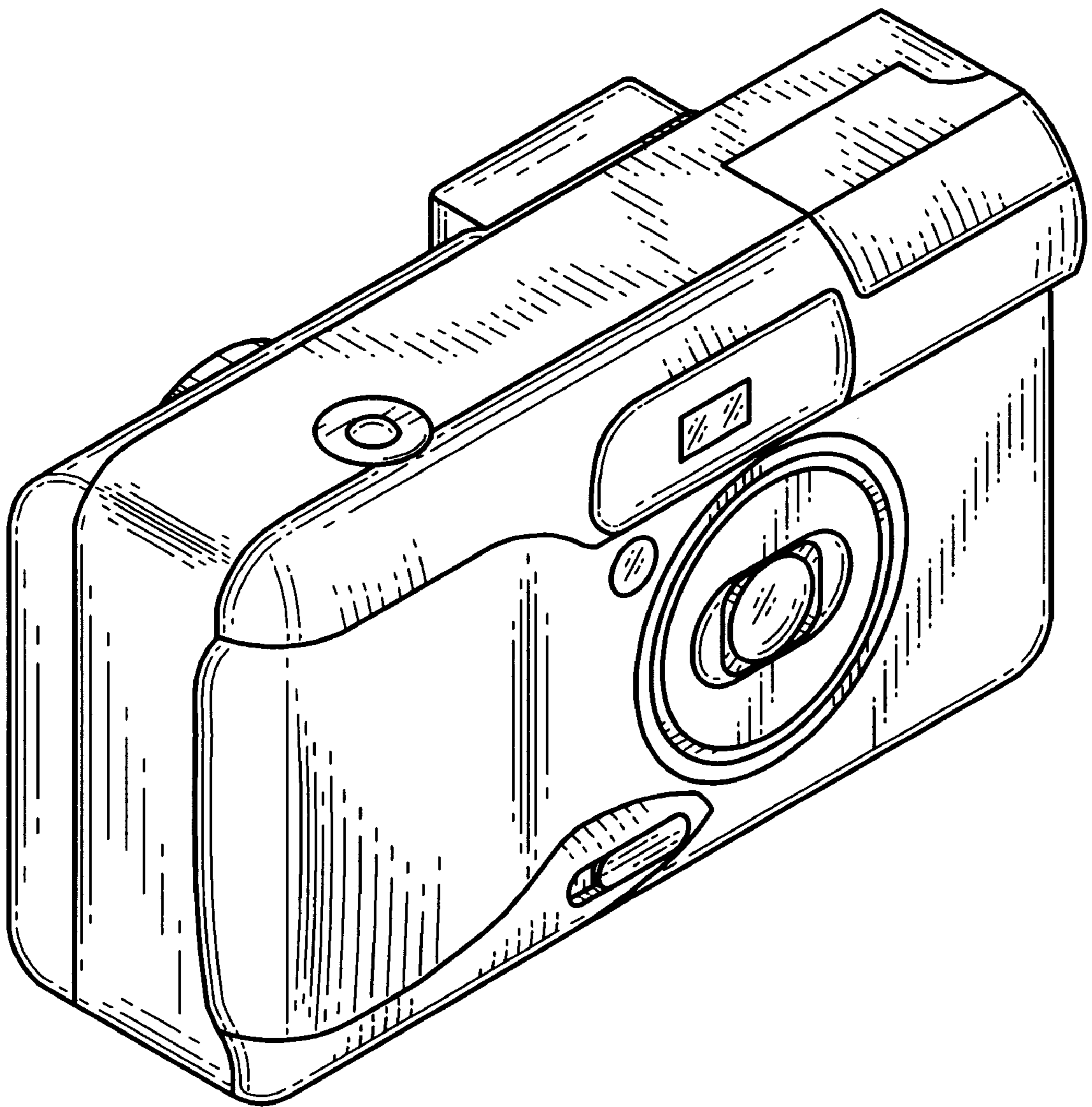
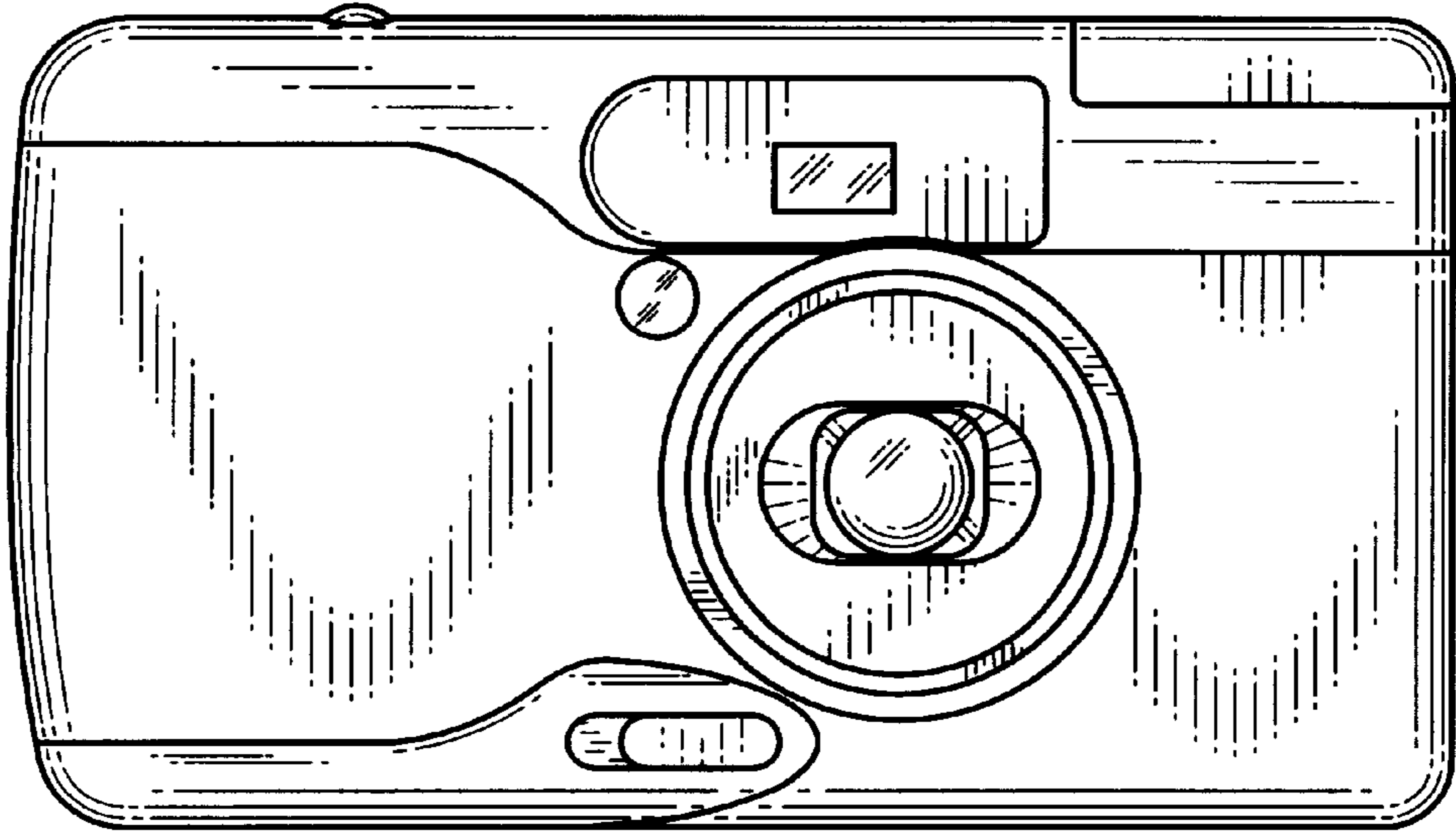


FIG. 1



F I G . 2



F I G . 3

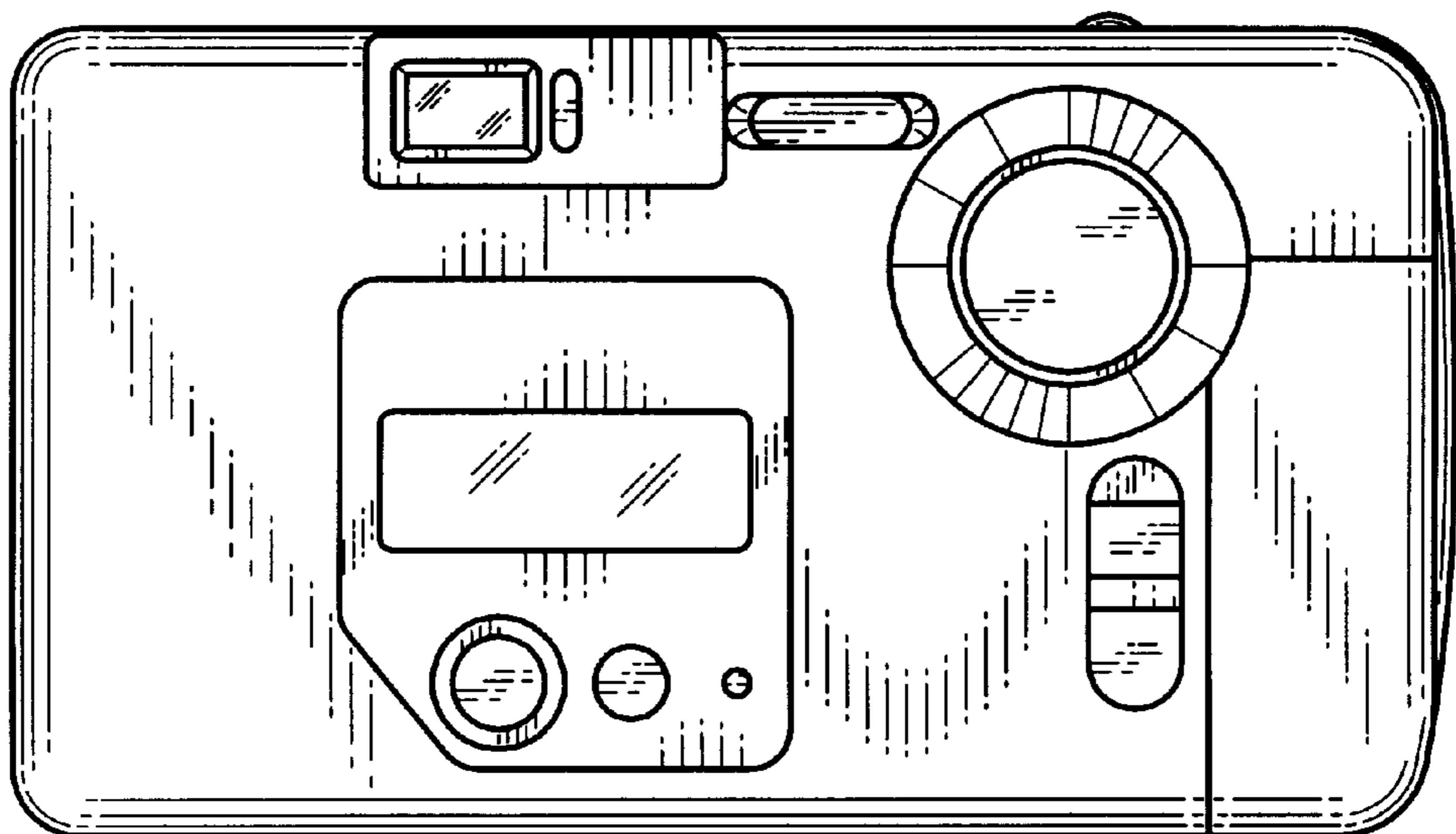


FIG. 4

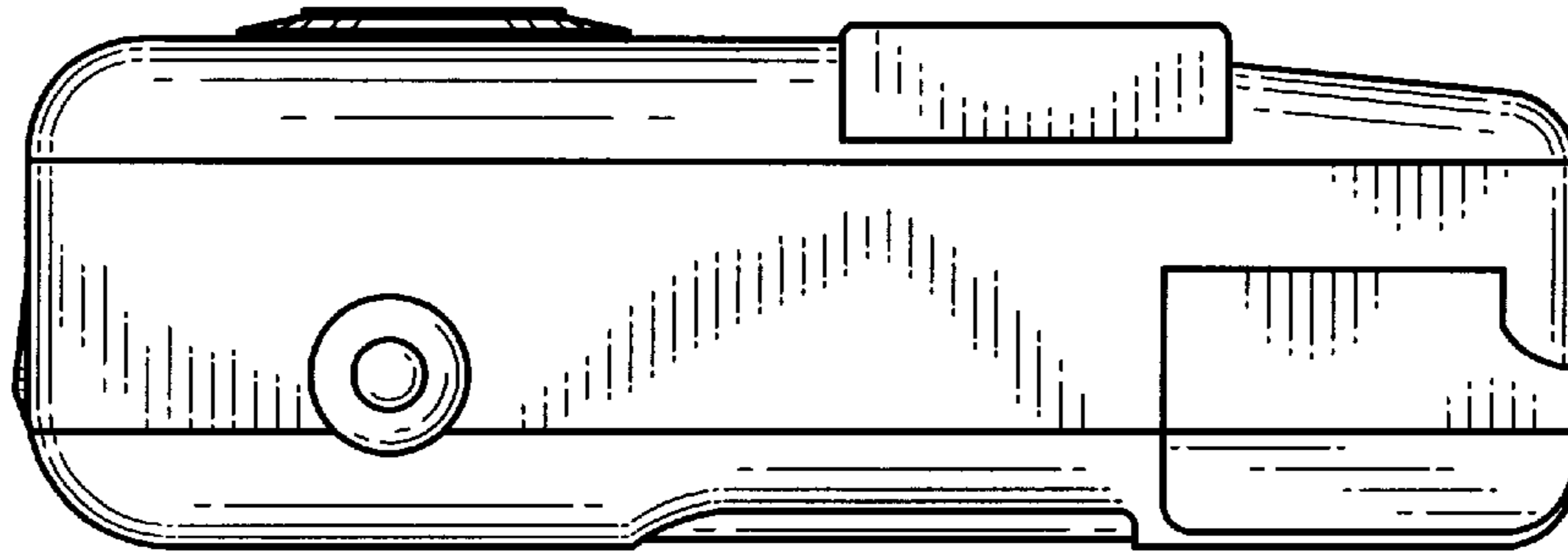


FIG. 5

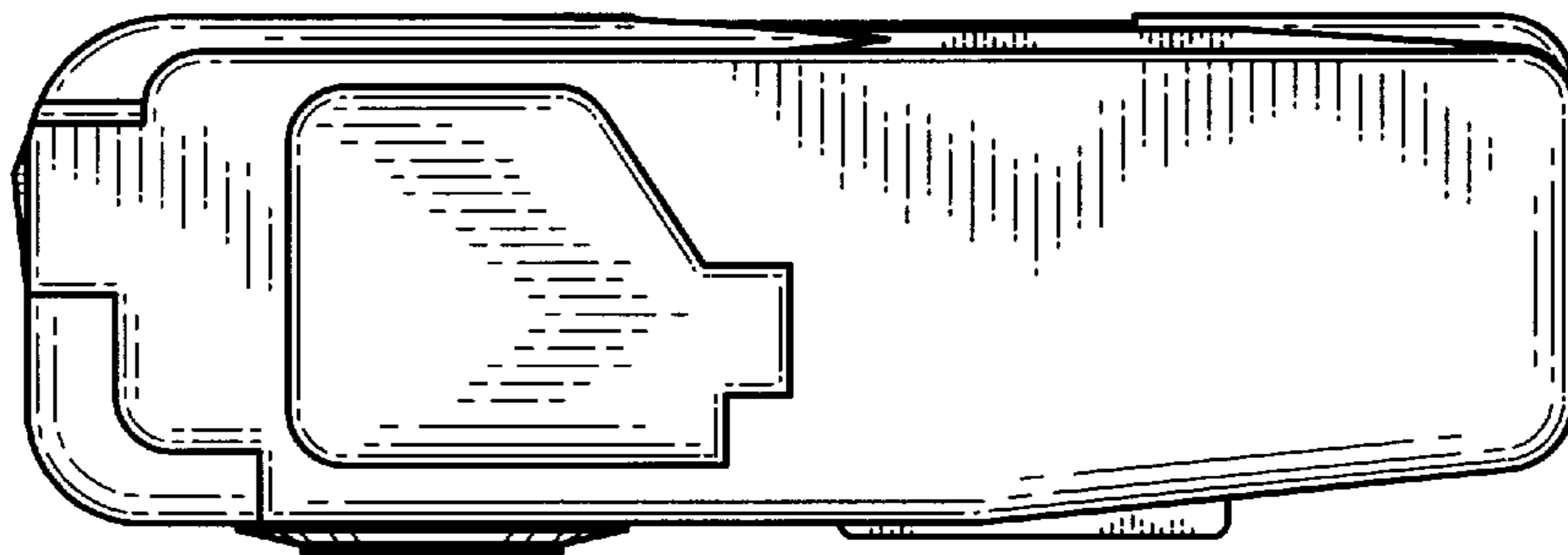


FIG. 6

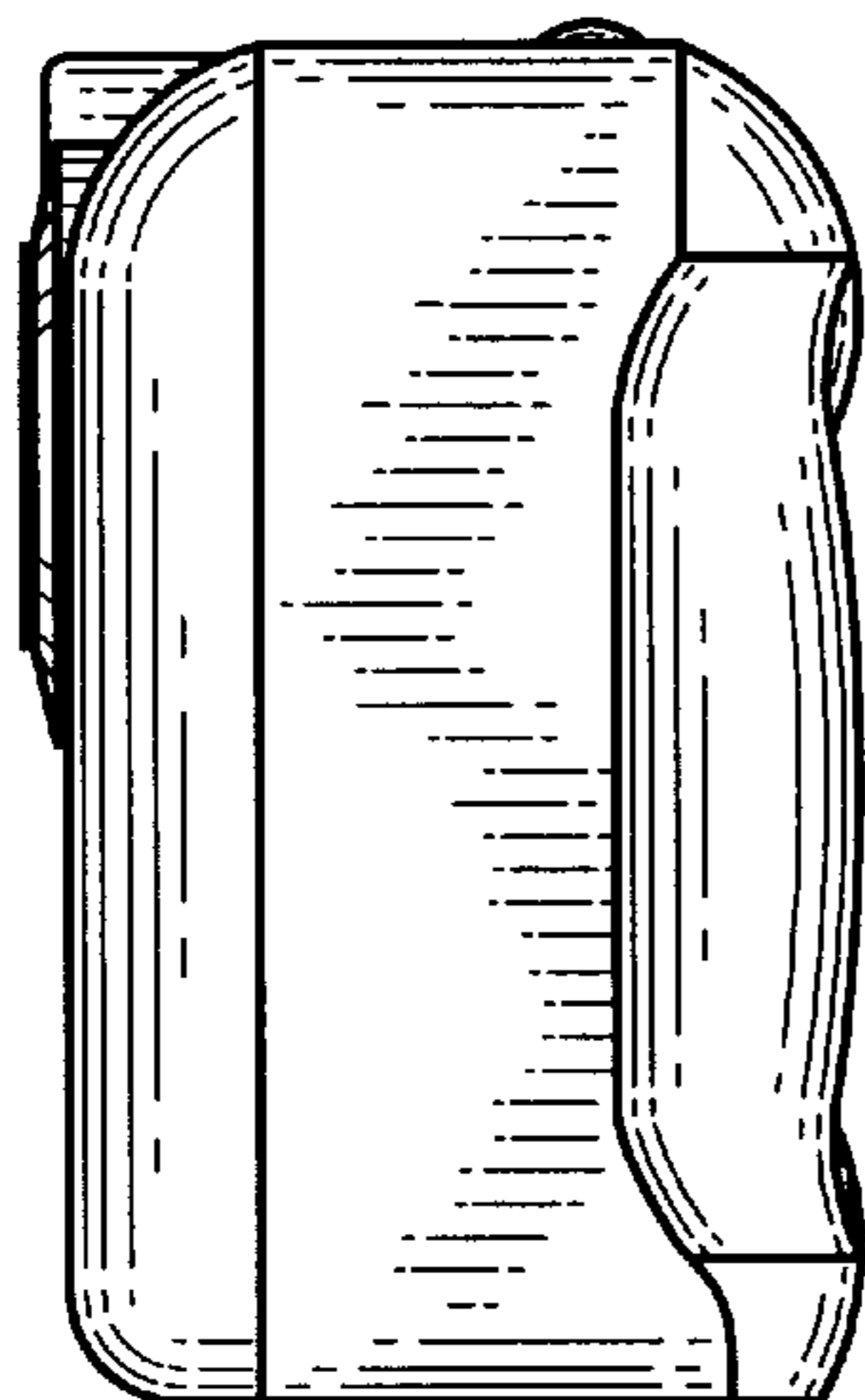


FIG. 7

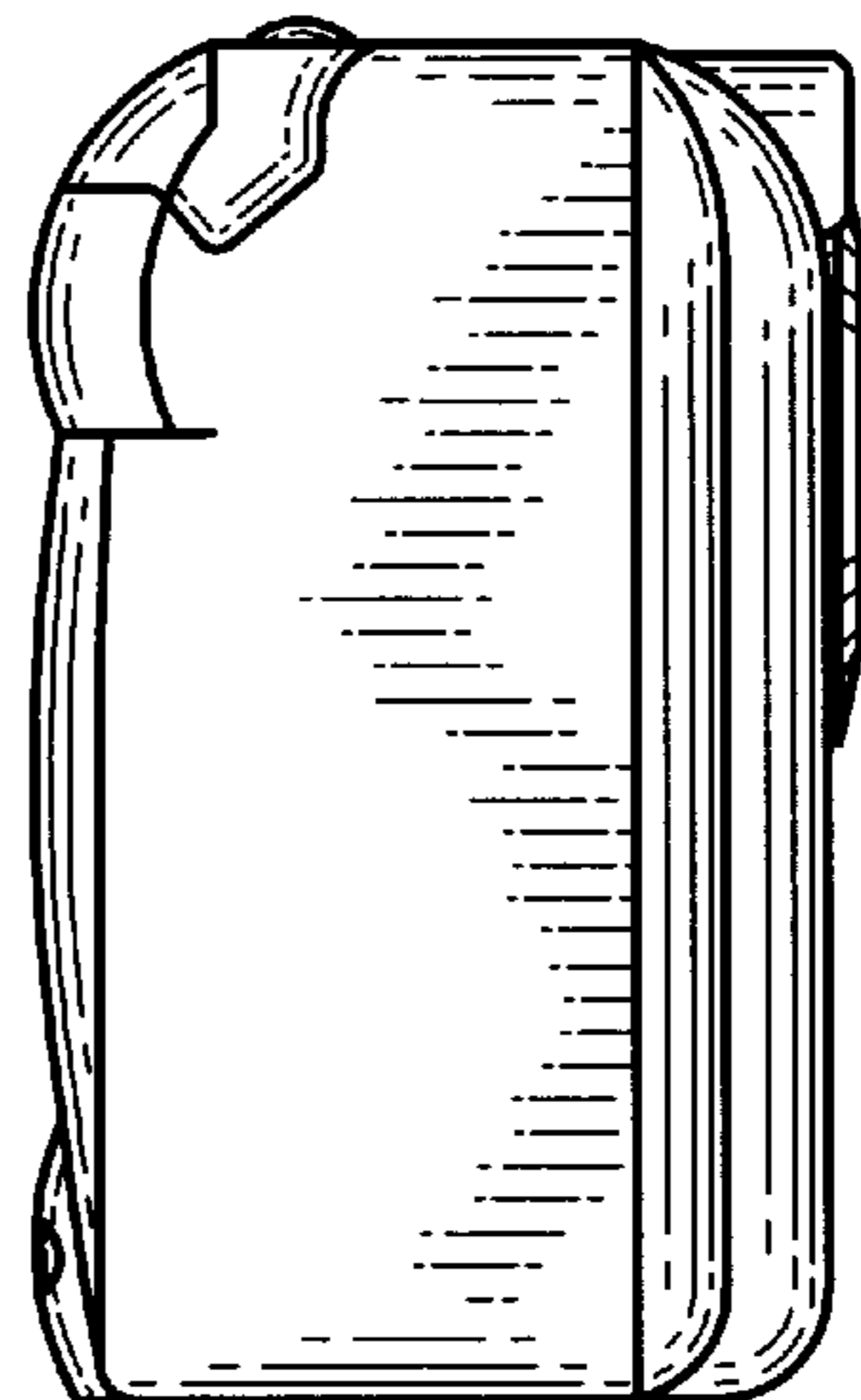


FIG. 8

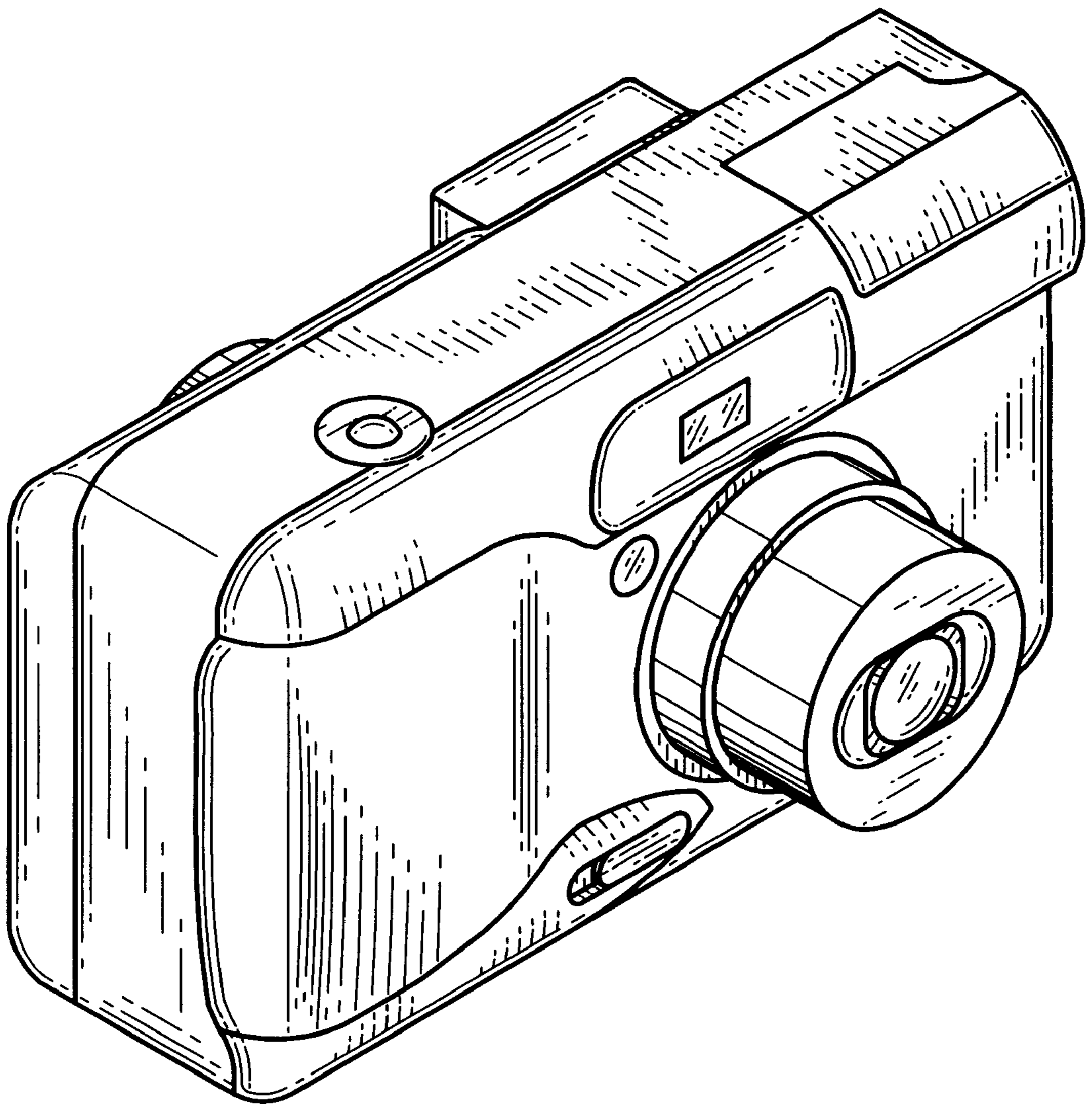


FIG. 9

