



US00D412515S

United States Patent [19]
Oka

[11] **Patent Number: Des. 412,515**

[45] **Date of Patent: ** Aug. 3, 1999**

[54] **VIDEO CAMERA COMBINED WITH VIDEO TAPE RECORDER**

[75] Inventor: **Hiroki Oka**, Tokyo, Japan

[73] Assignee: **Sony Corporation**, Tokyo, Japan

[**] Term: **14 Years**

[21] Appl. No.: **29/088,757**

[22] Filed: **Jun. 1, 1998**

[51] **LOC (6) Cl.** **16-01**

[52] **U.S. Cl.** **D16/202**

[58] **Field of Search** D16/200-208;
348/373-376; 358/906; 352/242, 243

[56] **References Cited**

U.S. PATENT DOCUMENTS

D. 285,683	9/1986	Shibata	D16/202
D. 314,782	2/1991	Hong	D16/202
D. 316,554	4/1991	Ooi et al.	D16/202
4,764,817	8/1988	Blazek et al.	348/376

OTHER PUBLICATIONS

Video Review, p. 42 Sony's BMC-1000), Aug. 1987.
Sony Catalog, May 1996, pp. 5-7.

Primary Examiner—Adir Aronovich

Attorney, Agent, or Firm—Foley & Lardner

[57] **CLAIM**

The ornamental design for a video camera combined with video tape recorder, as shown and described.

DESCRIPTION

FIG. 1 is a perspective view of a video camera combined with video tape recorder showing my new design;

FIG. 2 is a top plan view thereof;

FIG. 3 is a left side elevational view thereof;

FIG. 4 is a front elevational view thereof;

FIG. 5 is a bottom plan view thereof;

FIG. 6 is a right side elevational thereof;

FIG. 7 is a rear elevational view thereof; and,

FIG. 8 is a perspective view of a video camera combined with video tape recorder wherein the lid portion is in the open position.

The broken lines are for illustrative purpose only and form no part of the claimed design.

1 Claim, 7 Drawing Sheets

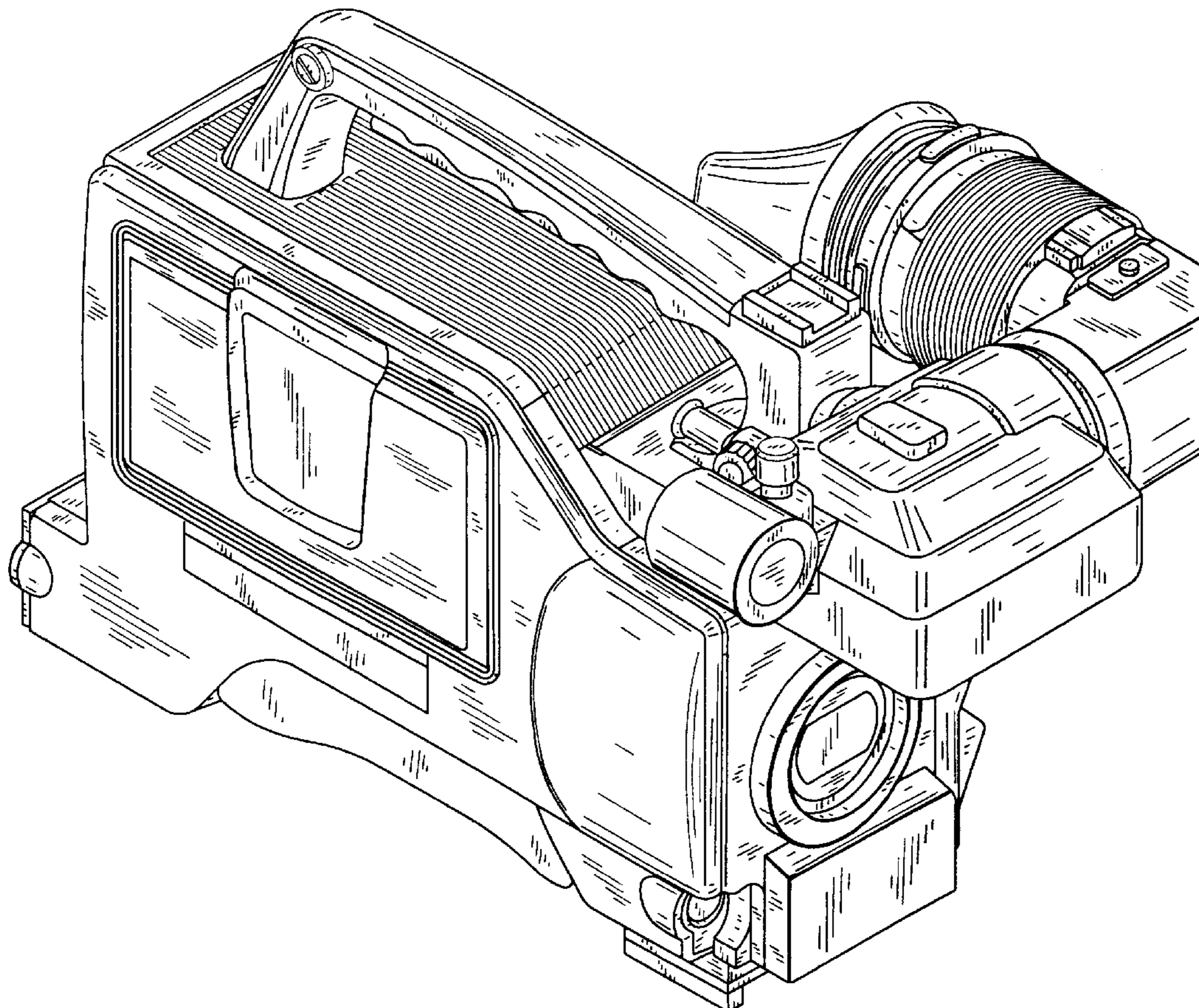


FIG. 1

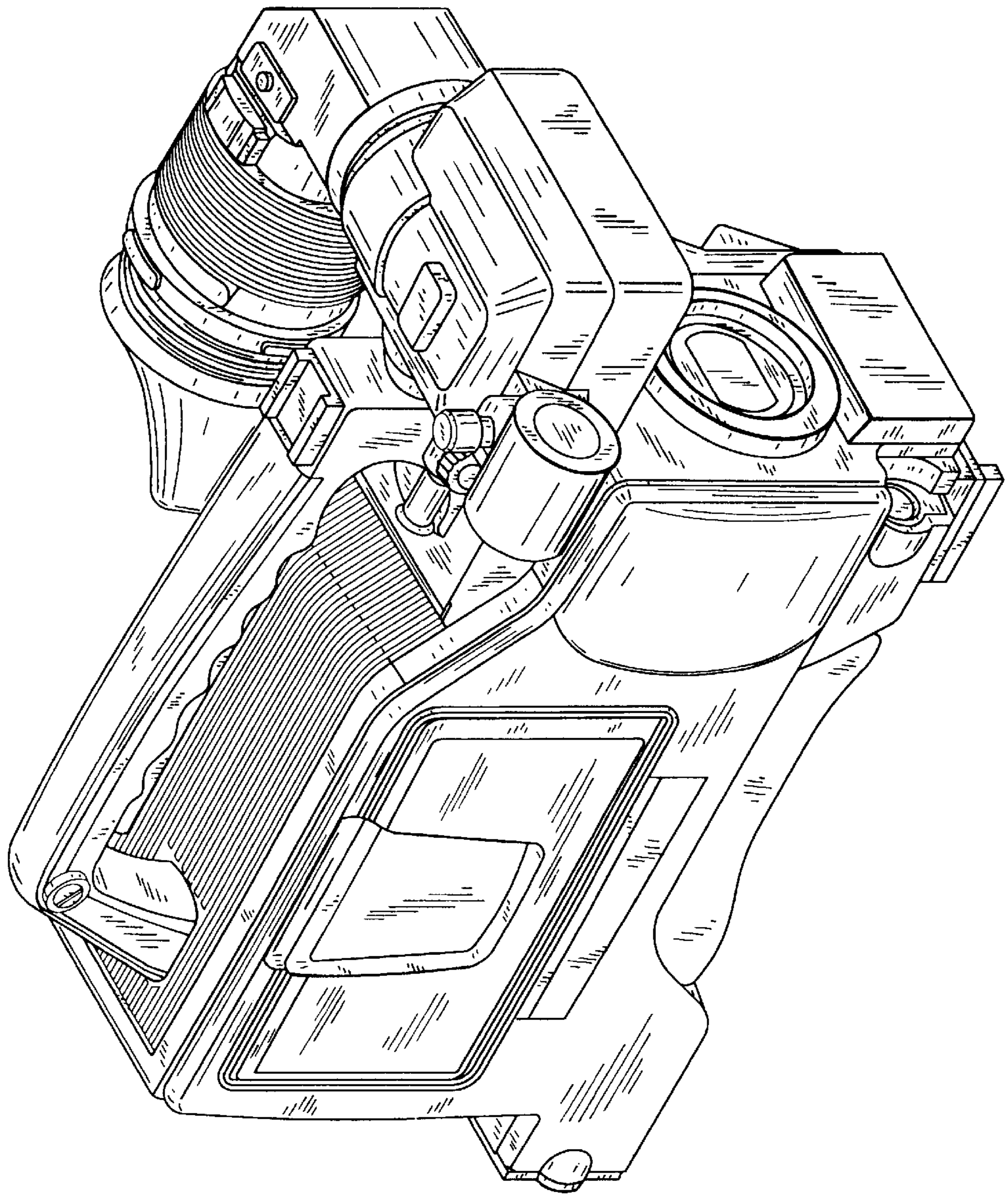


FIG. 2

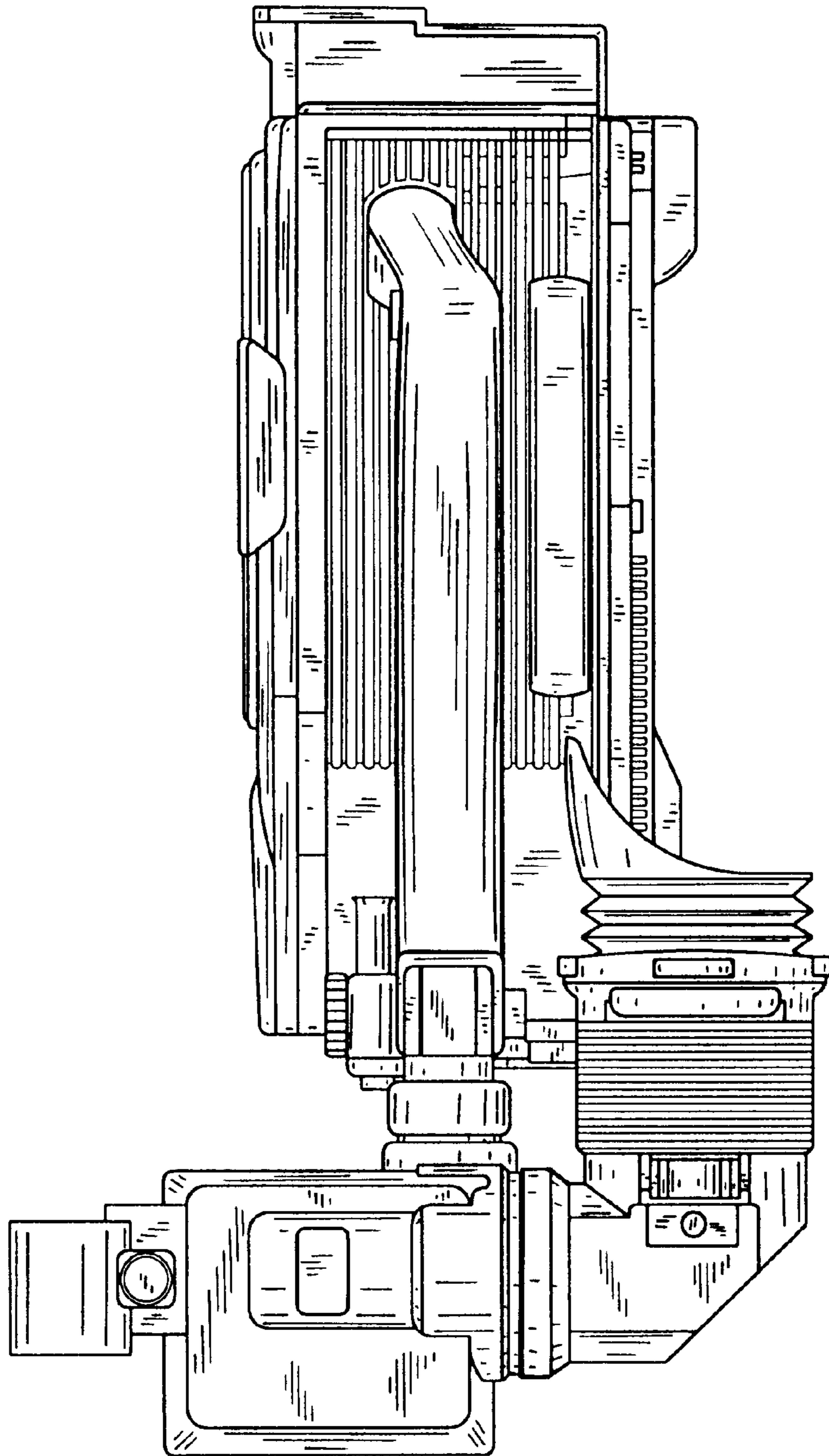


FIG. 3

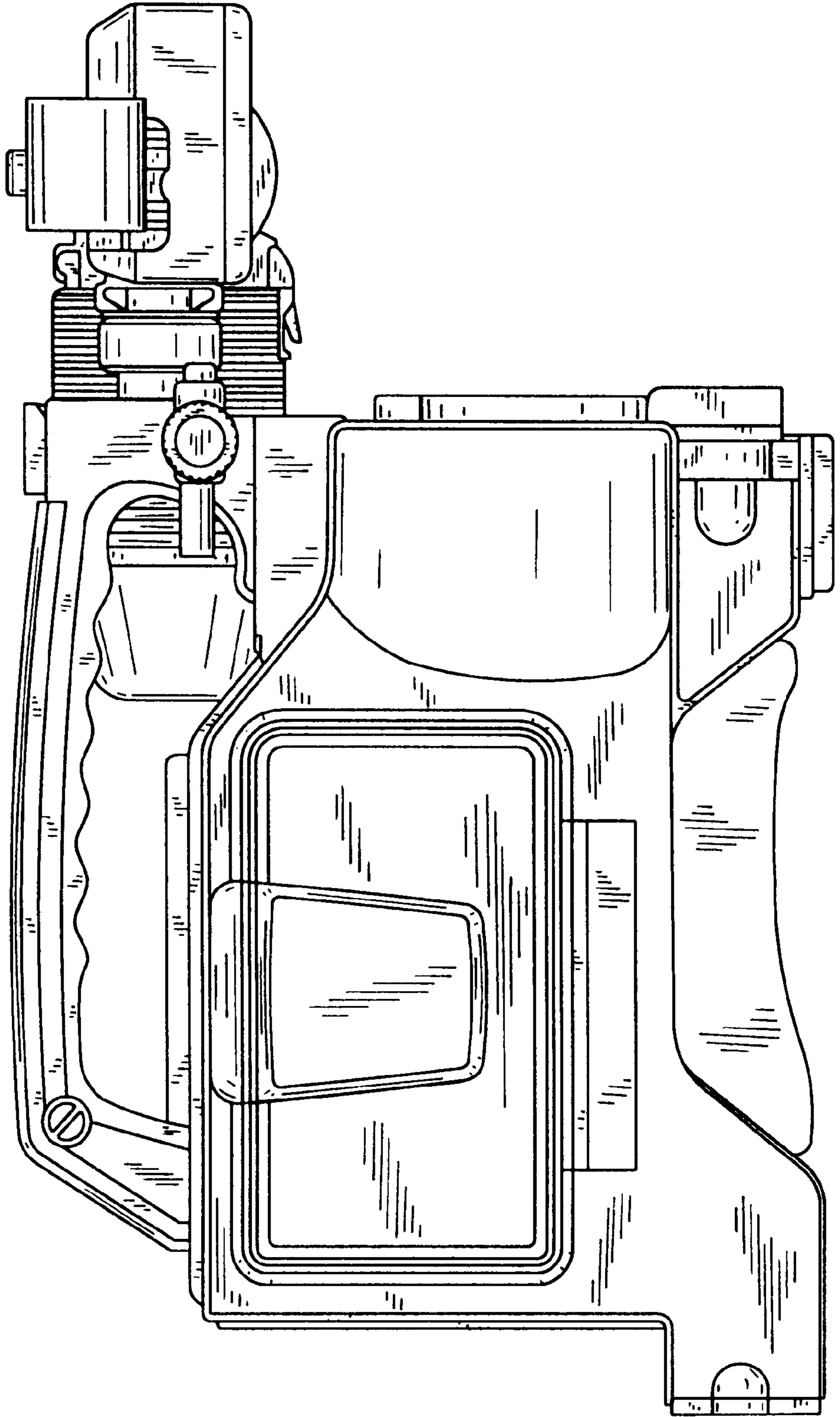


FIG. 7

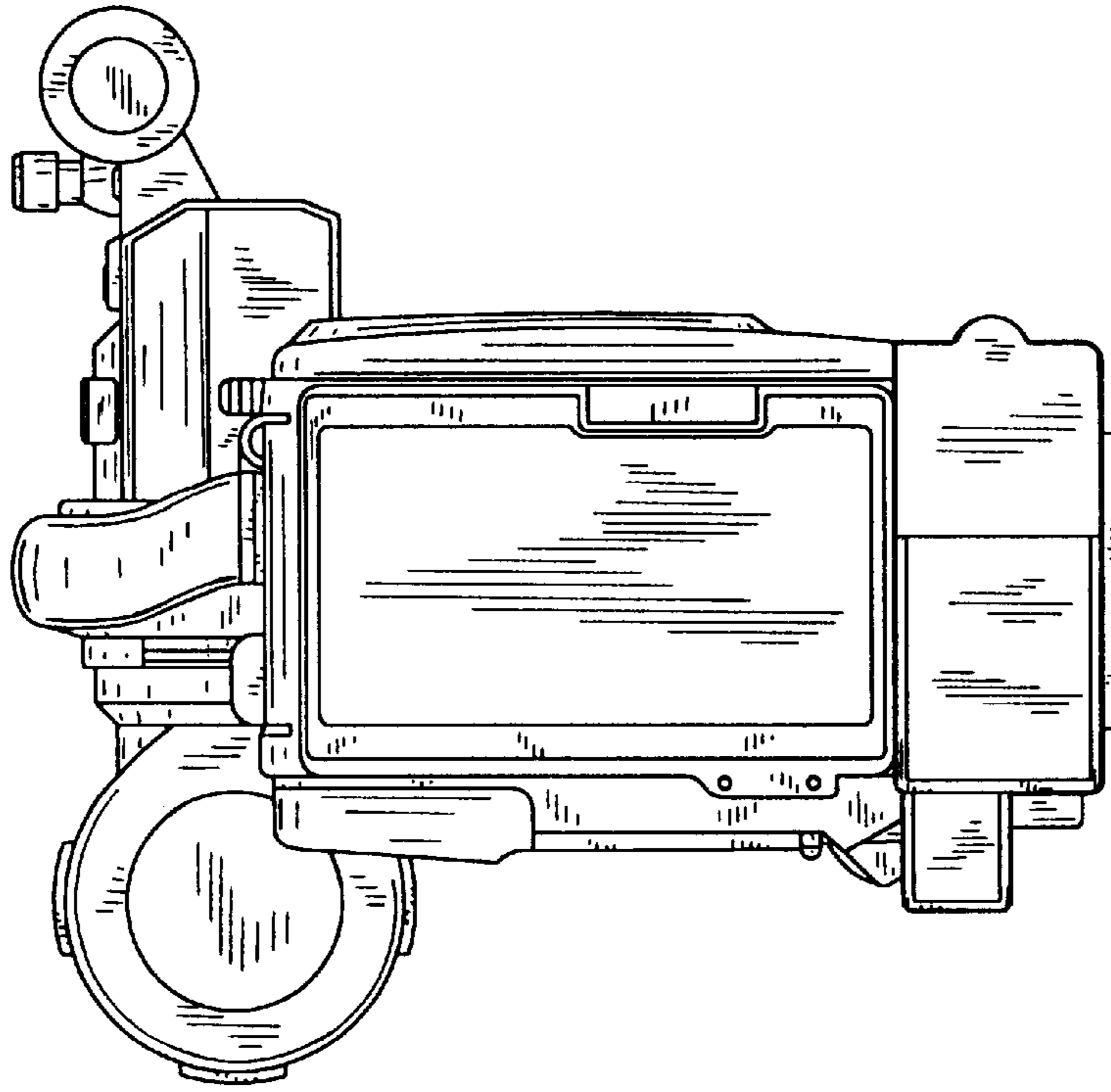


FIG. 4

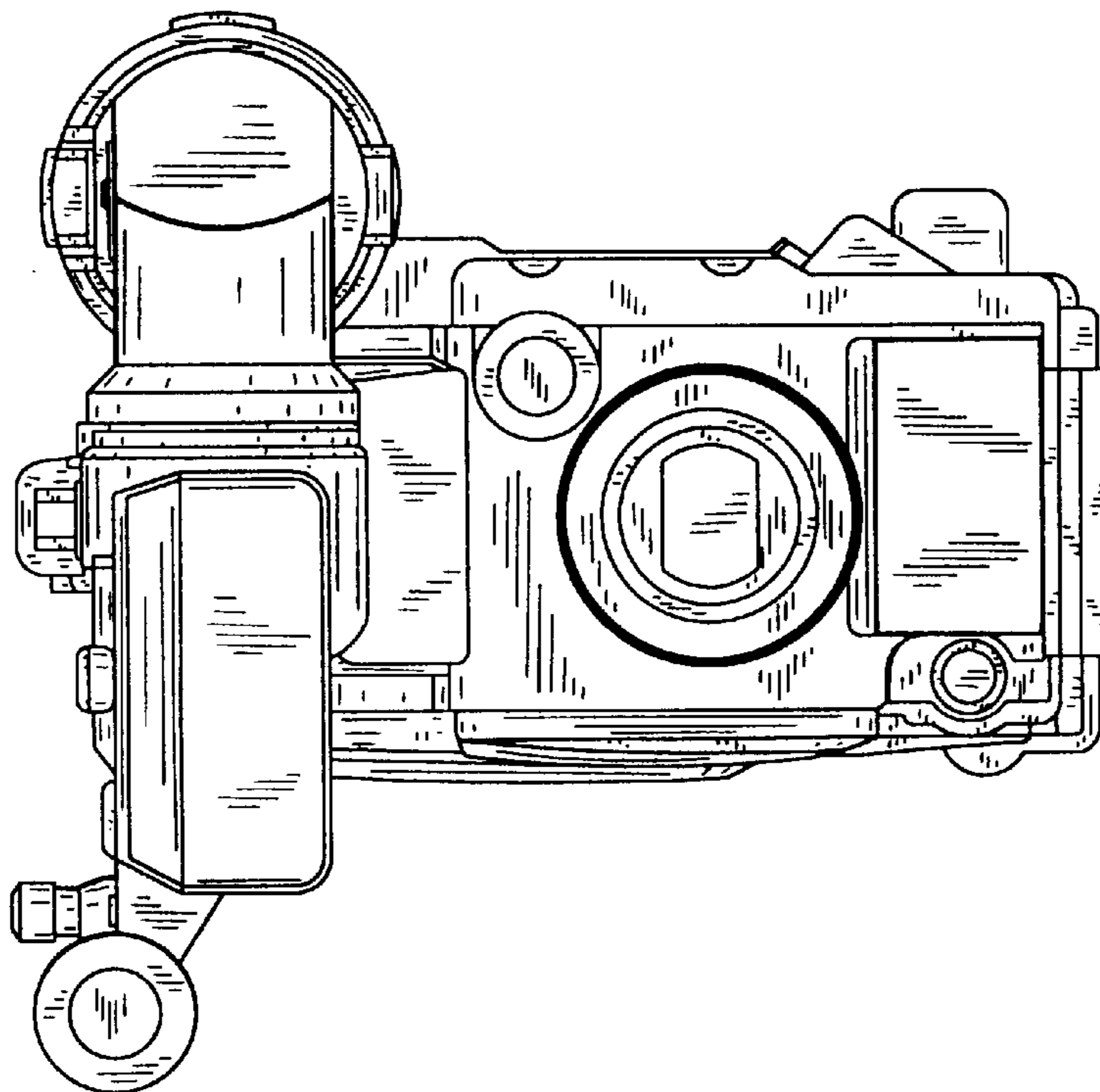


FIG. 5

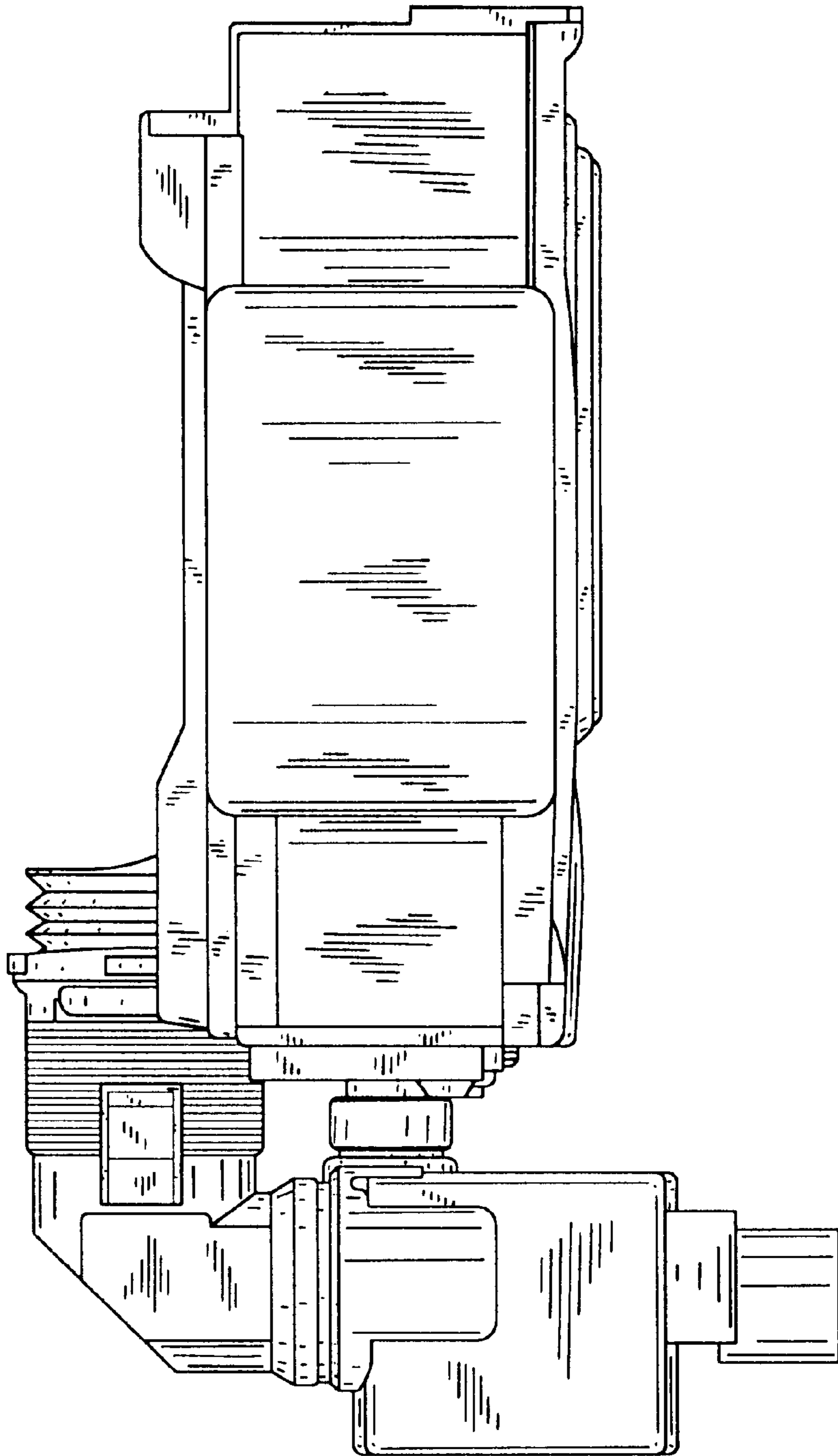


FIG. 6

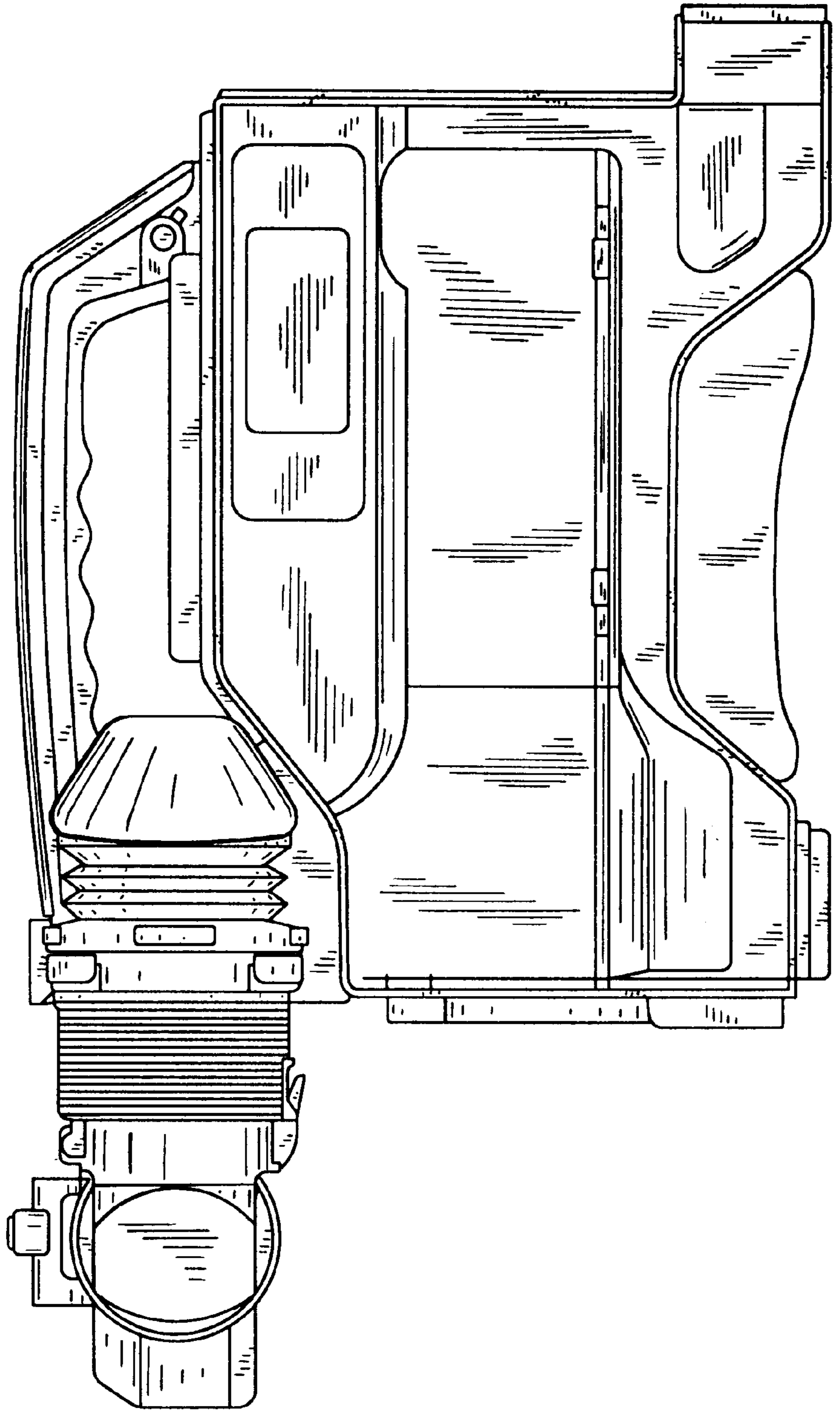


FIG. 8

