



US00D412514S

United States Patent [19] Hench

[11] Patent Number: **Des. 412,514**

[45] Date of Patent: **** Aug. 3, 1999**

[54] **REMOTE CONTROL KEYCHAIN**

[76] Inventor: **Carol J. Hench**, 24248 Martha St.,
Woodland Hills, Calif. 91367

[**] Term: **14 Years**

[21] Appl. No.: **29/095,198**

[22] Filed: **Oct. 19, 1998**

[51] **LOC (6) Cl.** **02-07**

[52] **U.S. Cl.** **D15/208**

[58] **Field of Search** D15/207-212;
24/3.6; 70/456 R, 456 B, 458, 456; D8/347;
340/825.69, 100

[56] **References Cited**

U.S. PATENT DOCUMENTS

D. 305,210	12/1989	Arduini	D3/62
D. 308,758	6/1990	Chien	D3/62
D. 351,278	10/1994	Stillwagon	D3/208
D. 356,440	3/1995	Stillwagon	D3/208
D. 370,339	6/1996	Pinchuk	D3/208
D. 372,356	8/1996	Marguerite	D3/209

D. 377,320	1/1997	McGuire	D3/208
D. 383,895	9/1997	Christie	D3/208
5,220,319	6/1993	Kendel	340/825.69
5,535,104	7/1996	Maffey	362/100

Primary Examiner—Ralf Seifert
Attorney, Agent, or Firm—Goldstein & Canino

[57] **CLAIM**

The ornamental design for a remote control keychain, as shown and described.

DESCRIPTION

FIG. 1 is a diagrammatic perspective view of the remote control keychain.

FIG. 2 is a front elevational view thereof.

FIG. 3 is a rear elevational view thereof.

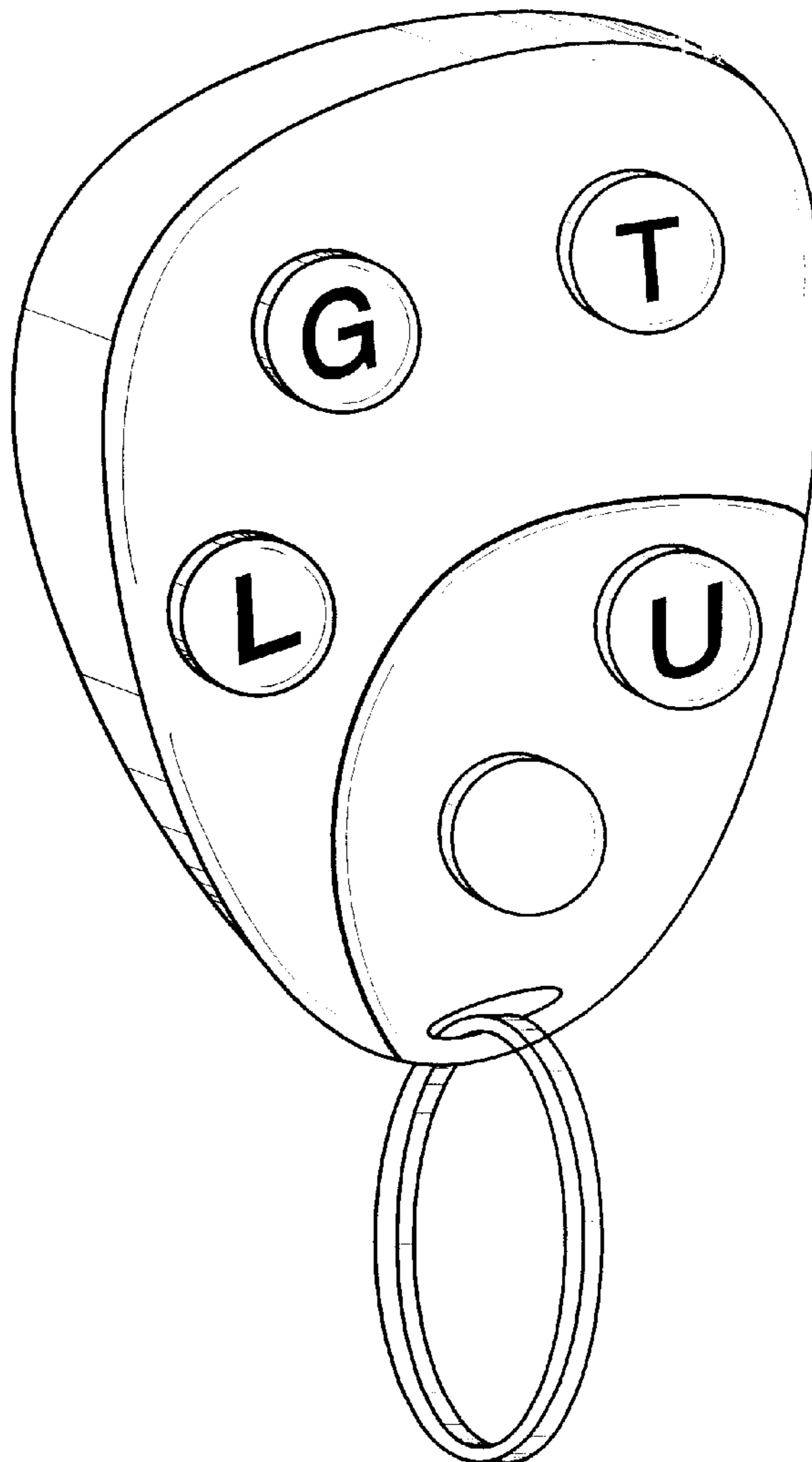
FIG. 4 is a right side elevational view of the remote control keychain.

FIG. 5 is a left side elevational view thereof.

FIG. 6 is a top plan view thereof; and,

FIG. 7 is a bottom plan view thereof.

1 Claim, 3 Drawing Sheets



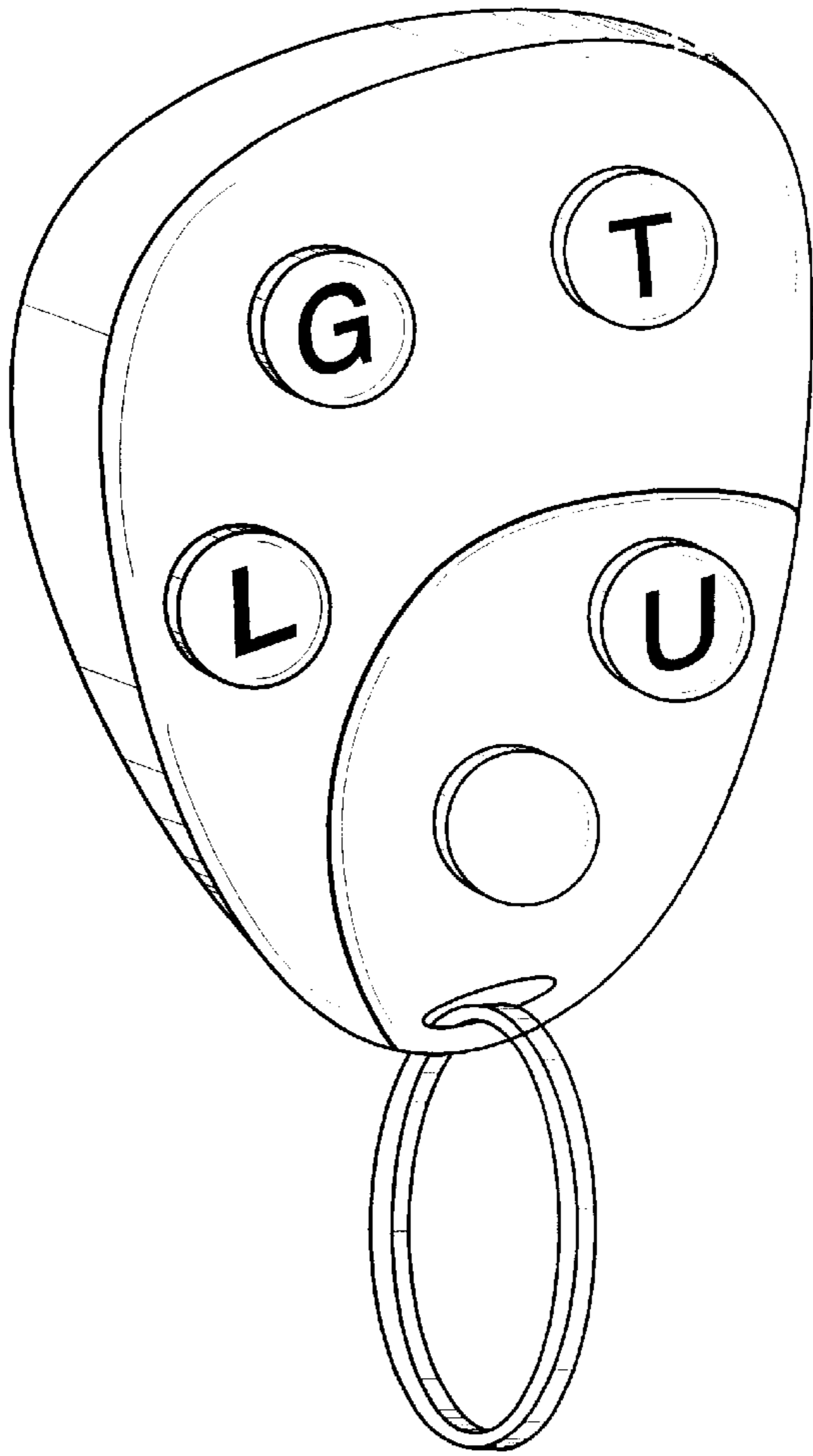


FIG.1

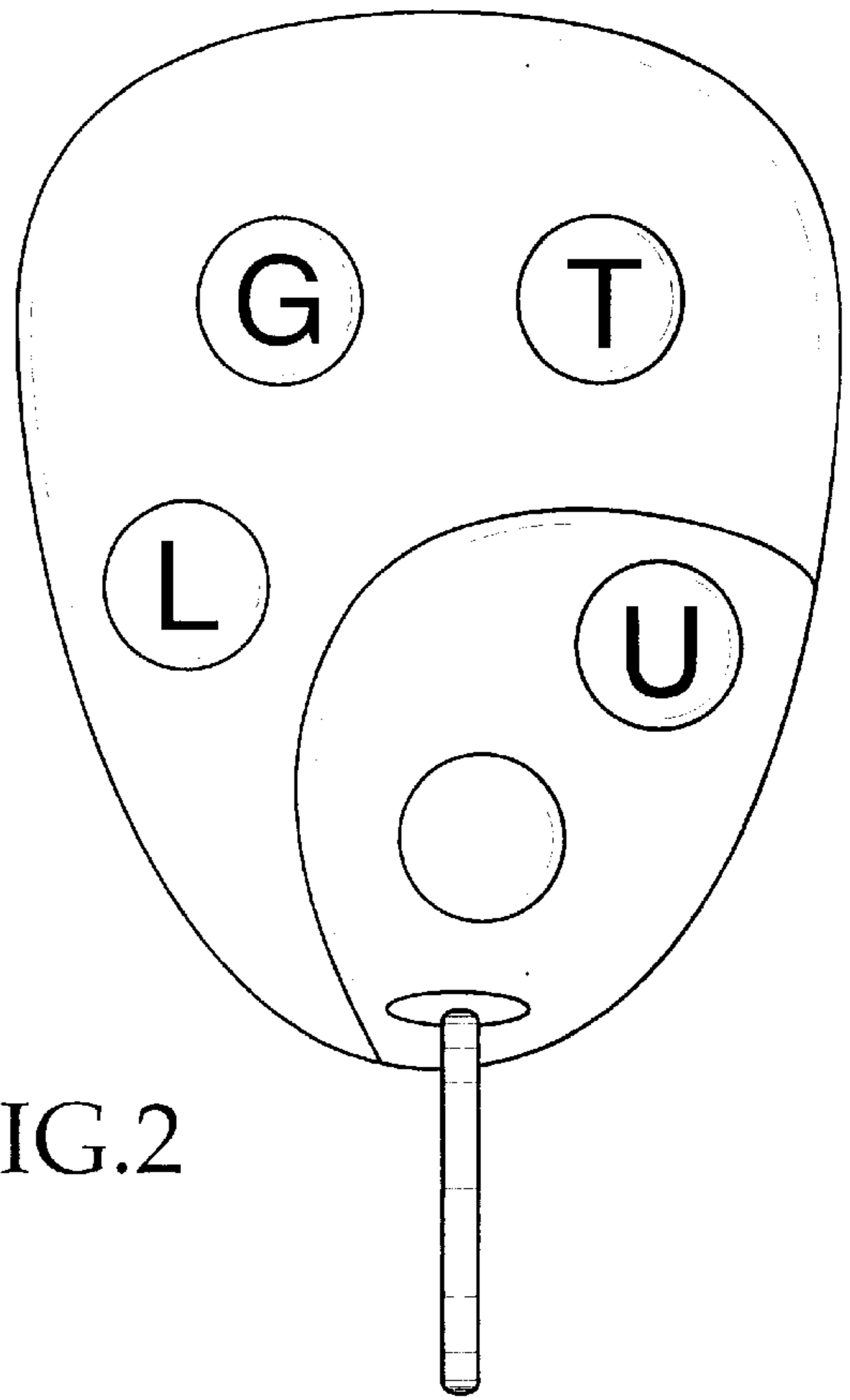


FIG.2

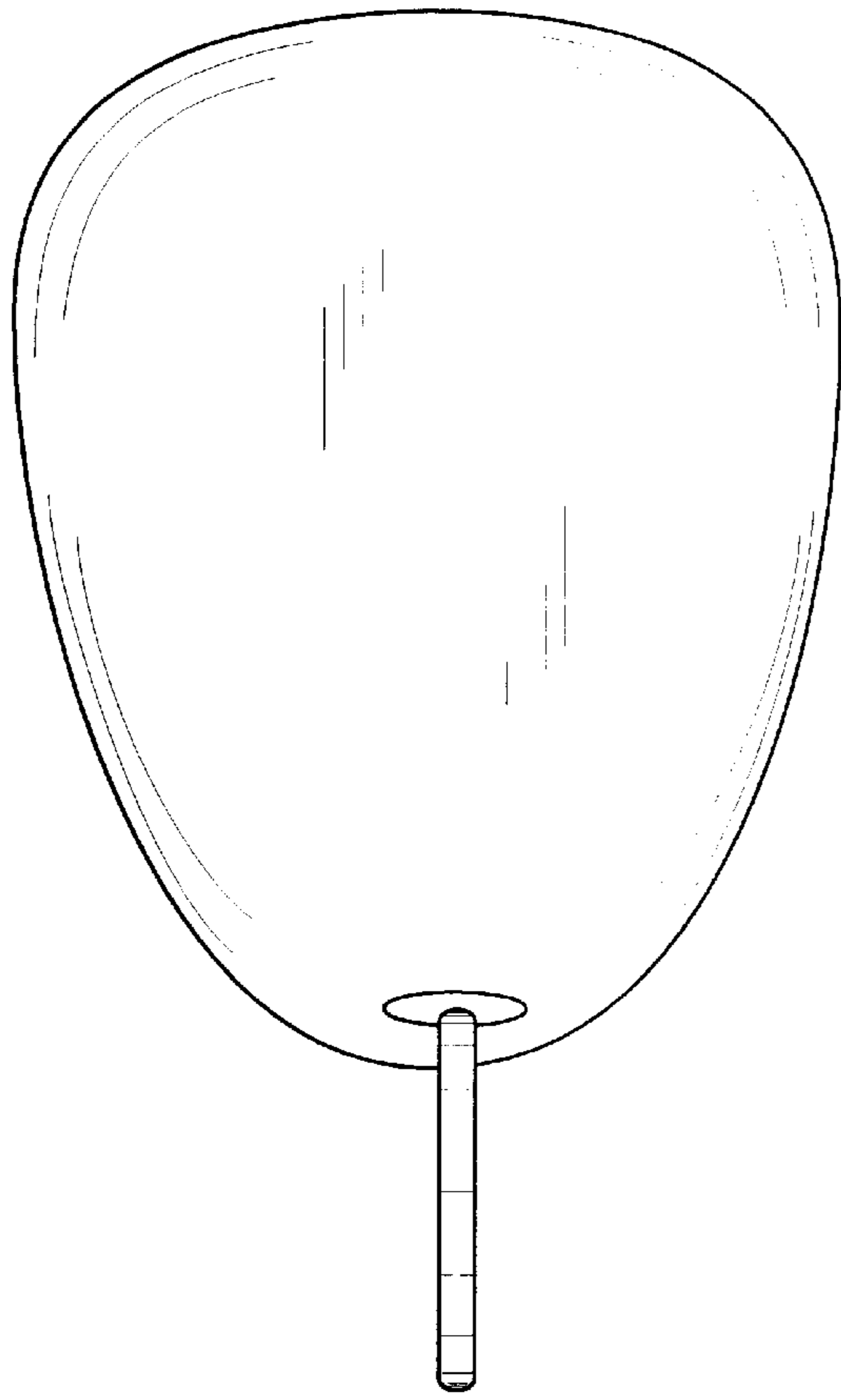


FIG.3

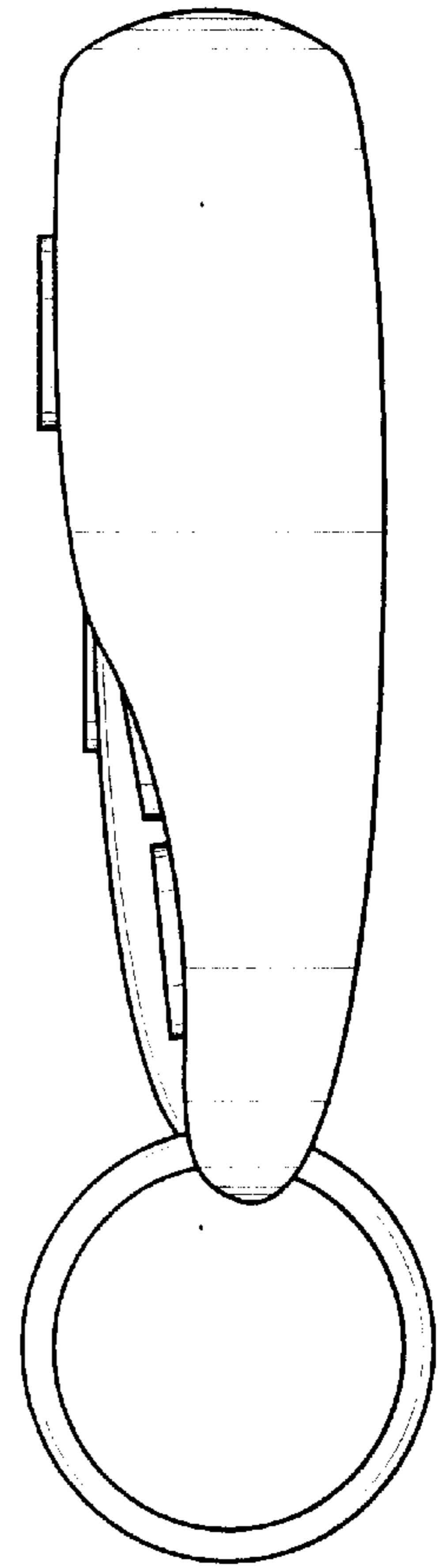


FIG.4

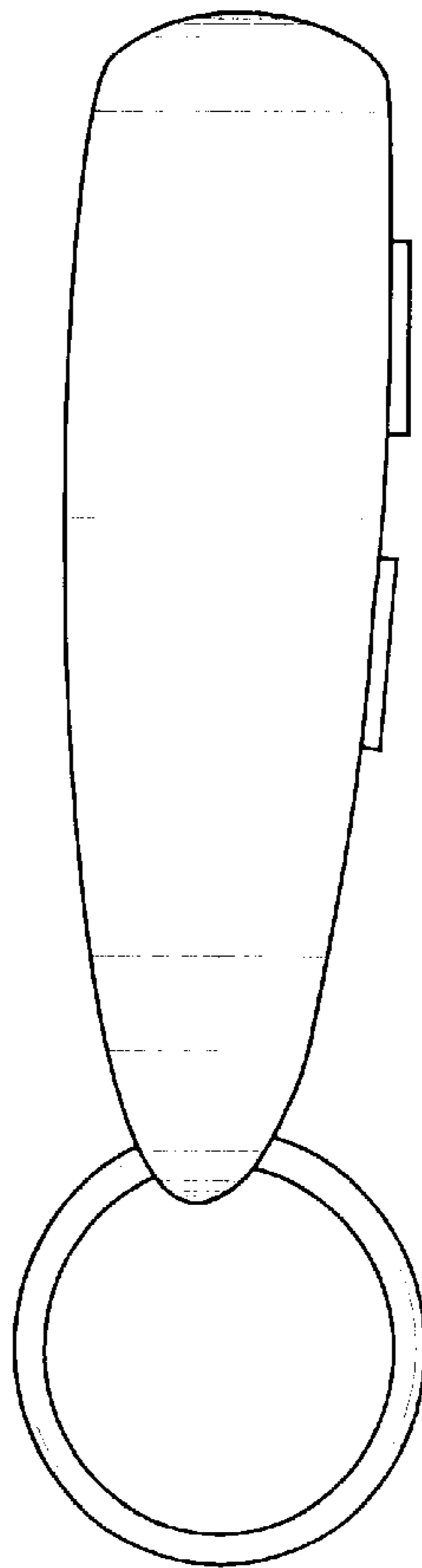


FIG.5

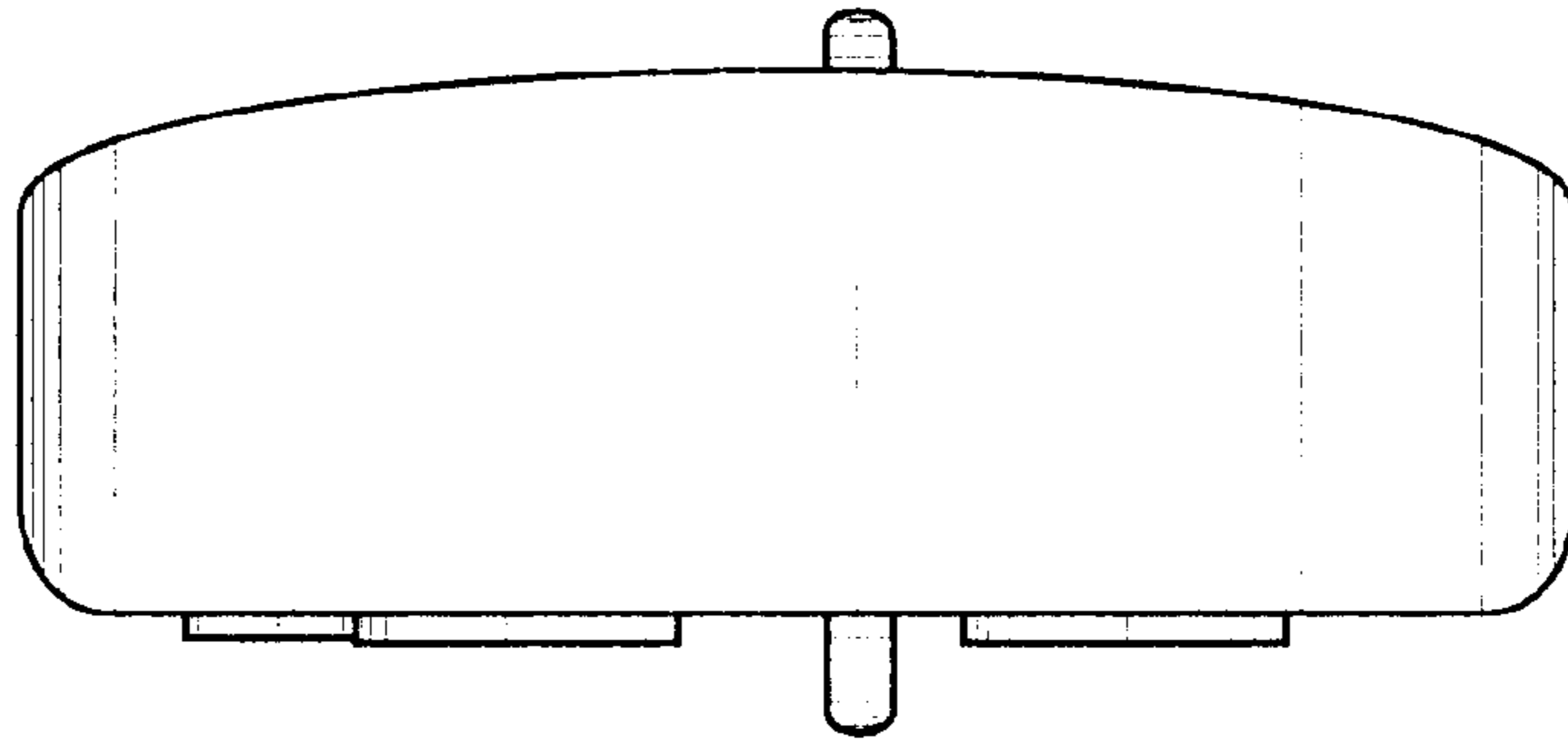


FIG. 6

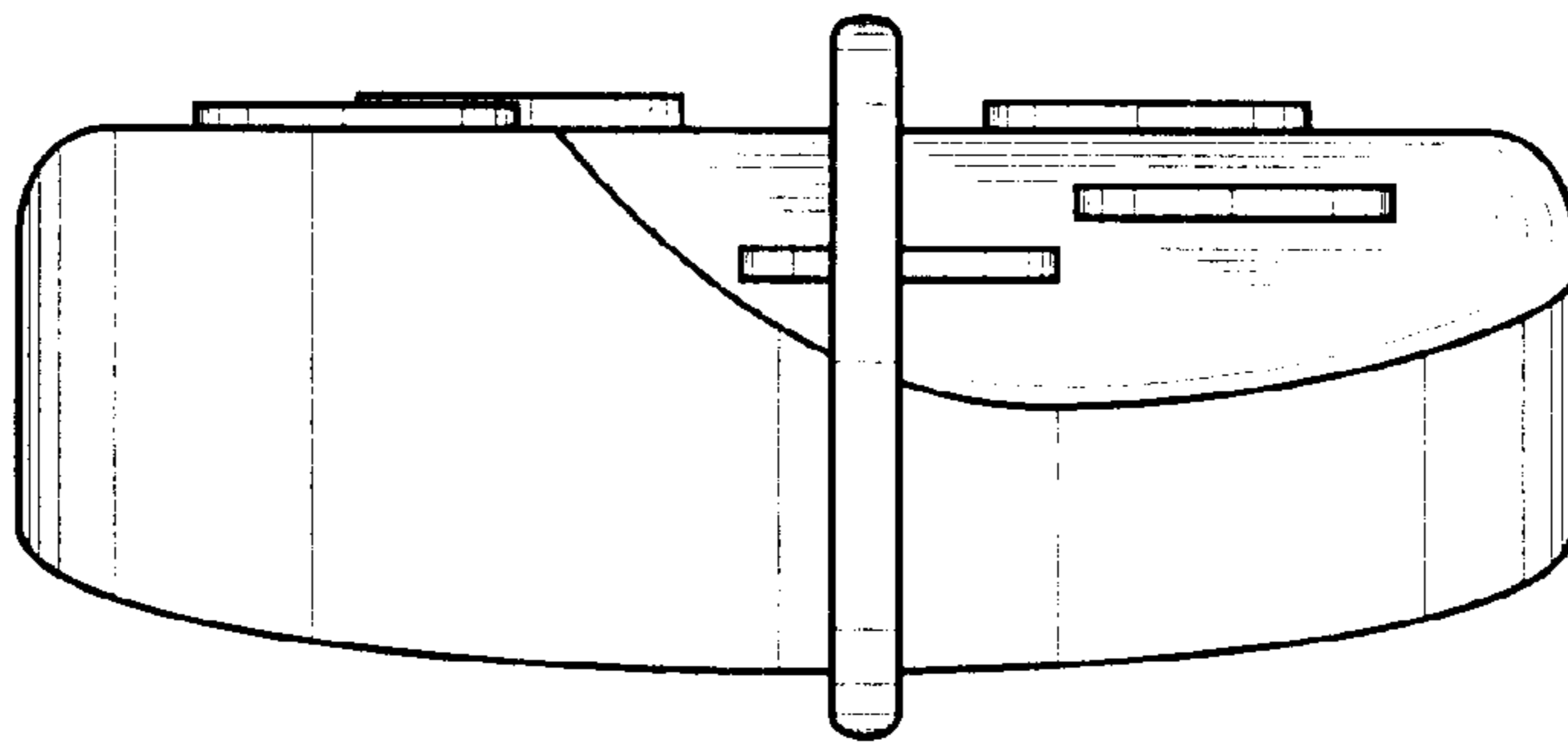


FIG. 7