



US00D412512S

United States Patent [19]
Boisvert

[11] **Patent Number: Des. 412,512**

[45] **Date of Patent: ** Aug. 3, 1999**

[54] **TOOL HOLDING DEVICE**

5,425,604 6/1995 Scheer et al. 408/240
5,540,124 7/1996 Srhoj 279/64 X

[76] Inventor: **Marc H Boisvert**, 12 Willobrae Dr.,
Peabody, Mass. 01960

Primary Examiner—Antoine Duval Davis
Attorney, Agent, or Firm—Don Halgren

[**] Term: **14 Years**

[57] **CLAIM**

[21] Appl. No.: **29/089,830**

The ornamental design for a tool holding device, as shown and described.

[22] Filed: **Jun. 24, 1998**

DESCRIPTION

[51] **LOC (6) Cl.** **15-09**

[52] **U.S. Cl.** **D15/140**

[58] **Field of Search** D15/140; D8/68,
D8/70; 279/60–66, 140, 902; 408/240

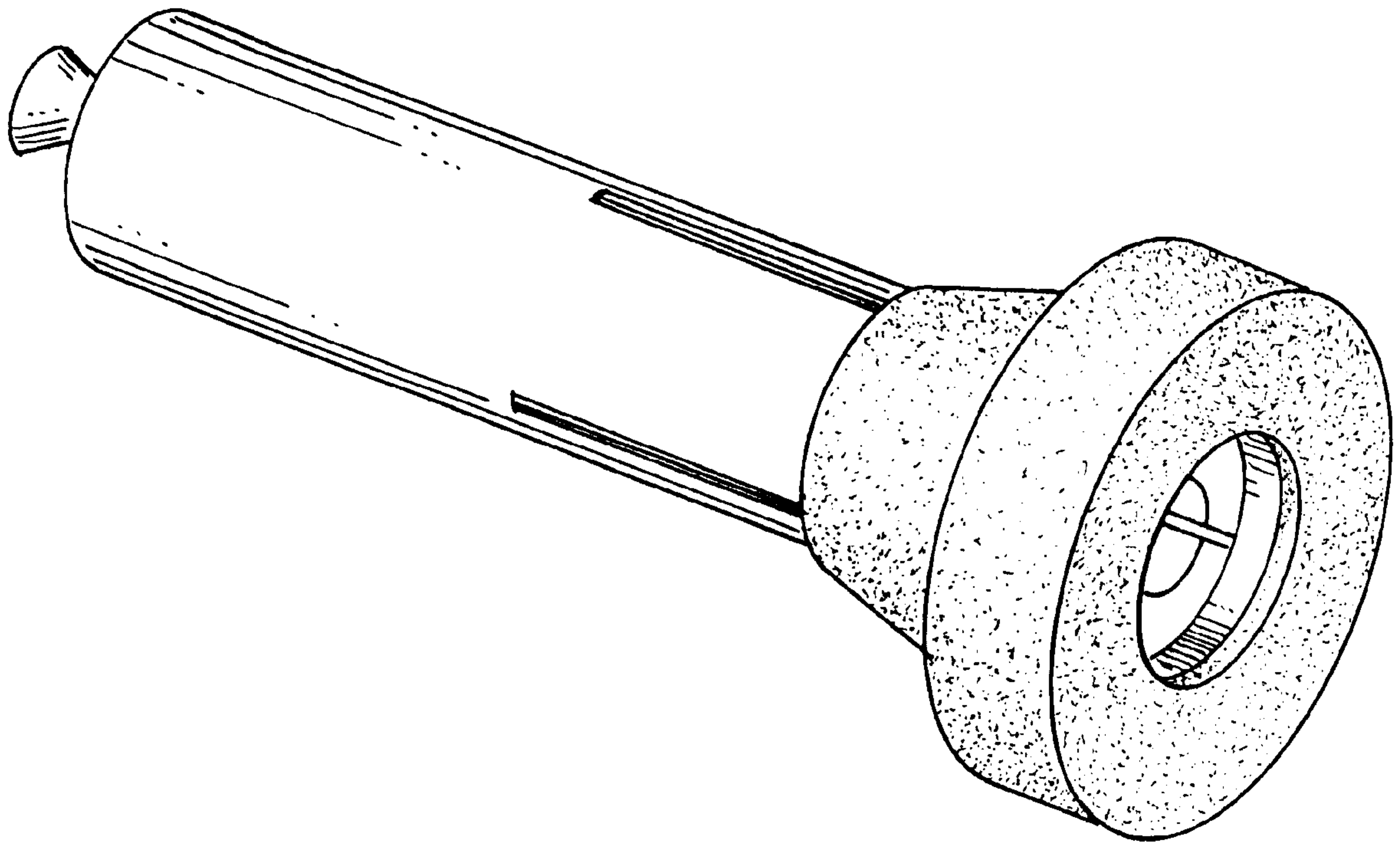
FIG. 1 is a perspective view of the tool holding device showing my new design;
FIG. 2 is a side elevational view of the left side of the tool holding device;
FIG. 3 is a side elevational view of the right side of the tool holding device;
FIG. 4 is a view of the lower end of the tool holding device; and,
FIG. 5 is a view of the upper end of the tool holding device constructed according to the principles of my invention.

[56] **References Cited**

U.S. PATENT DOCUMENTS

D. 330,900	11/1992	Wakegijig	D15/138
D. 397,125	8/1998	Boisvert	D15/140
2,188,929	2/1940	Stolle	279/62
4,284,375	8/1981	Muehleisen	408/240
4,795,291	1/1989	March	279/60

1 Claim, 2 Drawing Sheets



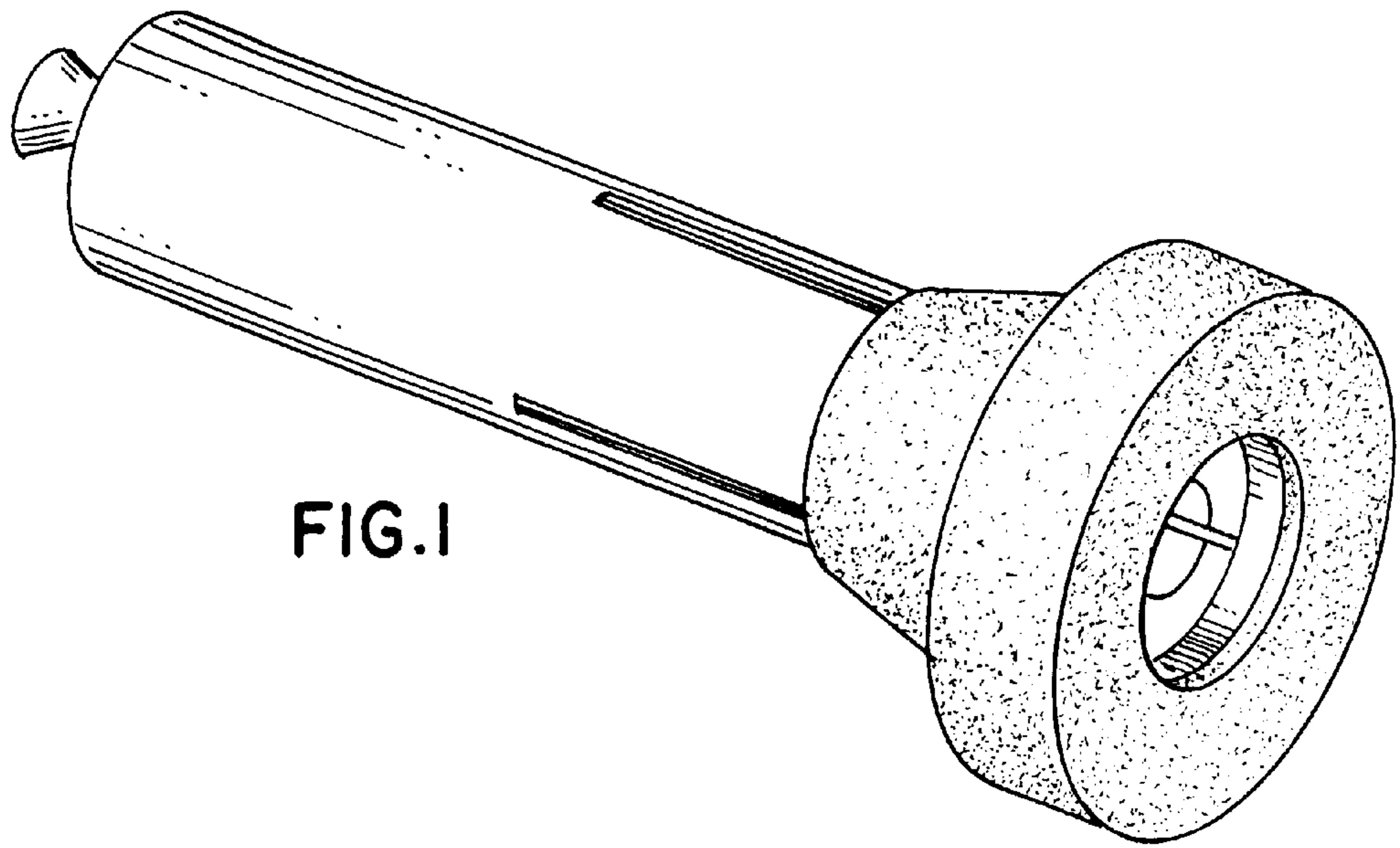


FIG. 1

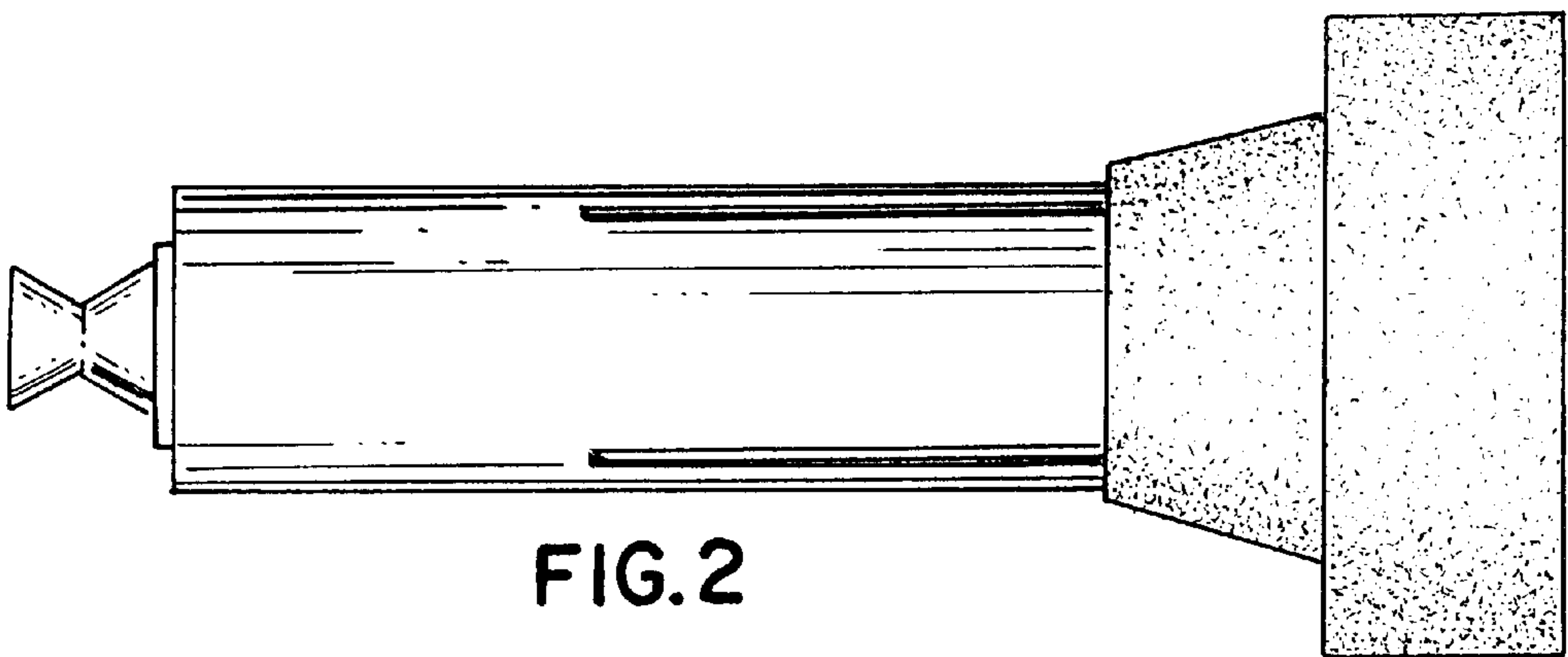


FIG. 2

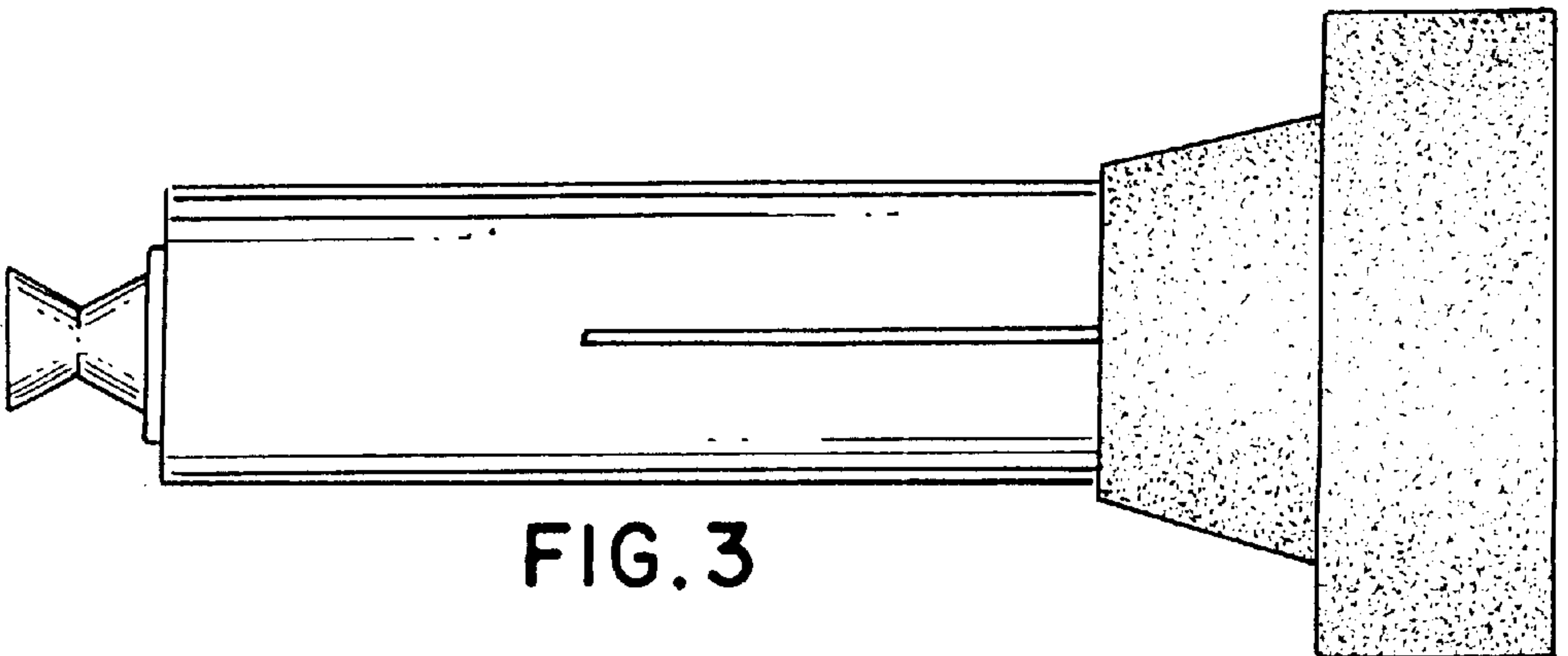


FIG. 3

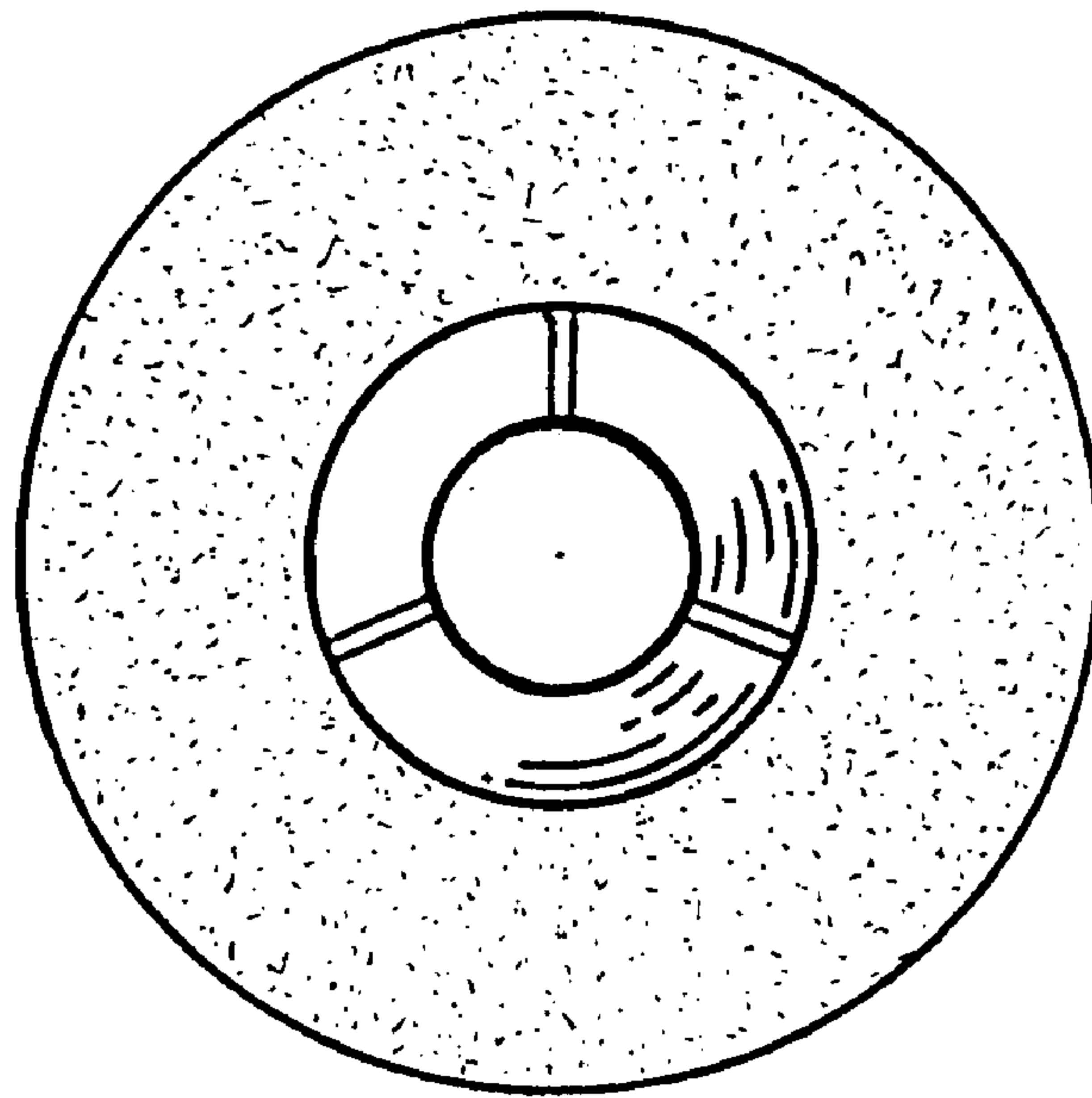


FIG. 4

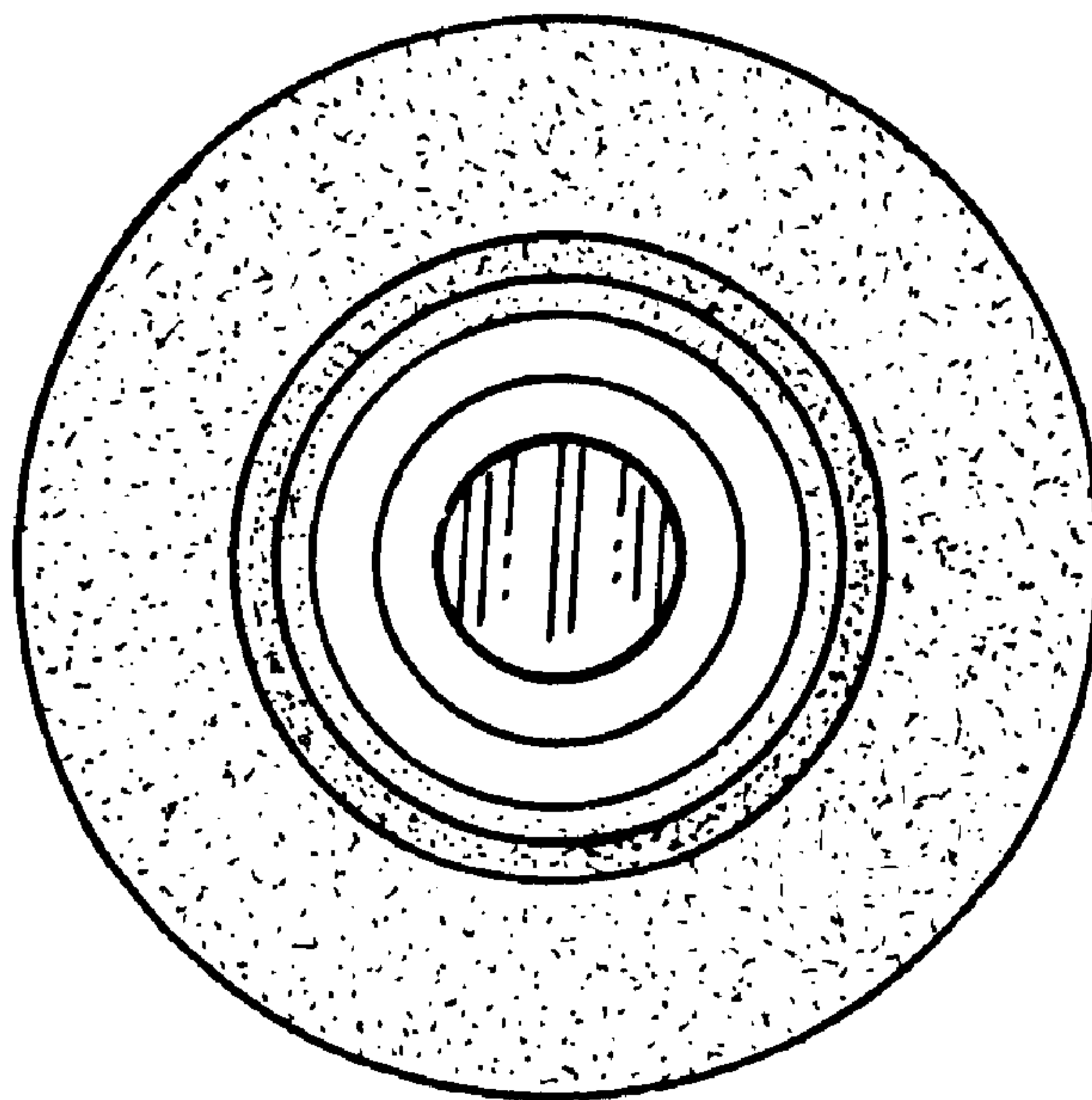


FIG. 5