



US00D412511S

United States Patent [19]
Lefevre

[11] **Patent Number: Des. 412,511**
[45] **Date of Patent: ** Aug. 3, 1999**

[54] **PLANAR BLADE SETTING JIG HOUSING**

[76] Inventor: **Brian F. Lefevre**, 12149 E. Exposition Dr., Aurora, Colo. 80012

[**] Term: **14 Years**

[21] Appl. No.: **29/089,434**

[22] Filed: **Jun. 15, 1998**

[51] **LOC (6) Cl. 15-09**

[52] **U.S. Cl. D15/140**

[58] **Field of Search** D8/71; D15/140;
15/256.51; 451/48.45, 419, 421; 269/303;
399/351, 126, 316; 33/628, 201, 625

[56] **References Cited**

U.S. PATENT DOCUMENTS

D. 189,155	11/1960	Surratt	D15/140
D. 248,144	6/1978	Kreitz	D15/140 X
2,496,800	2/1950	Larkins .	
2,589,865	3/1952	Rivard .	
2,827,711	3/1958	Elschlager .	
3,514,865	6/1970	Karahashi .	
3,894,340	7/1975	Ellis, Jr. .	
3,903,609	9/1975	Brown .	

4,519,142	5/1985	Parker .	
4,630,406	12/1986	Butler	451/45
4,694,582	9/1987	Walston, Jr. .	
4,854,051	8/1989	Hessenthaler .	
5,020,228	6/1991	Hessenthaler .	
5,768,966	6/1998	Duginske	269/303 X

Primary Examiner—Antoine Duval Davis
Attorney, Agent, or Firm—Donald W. Margolis

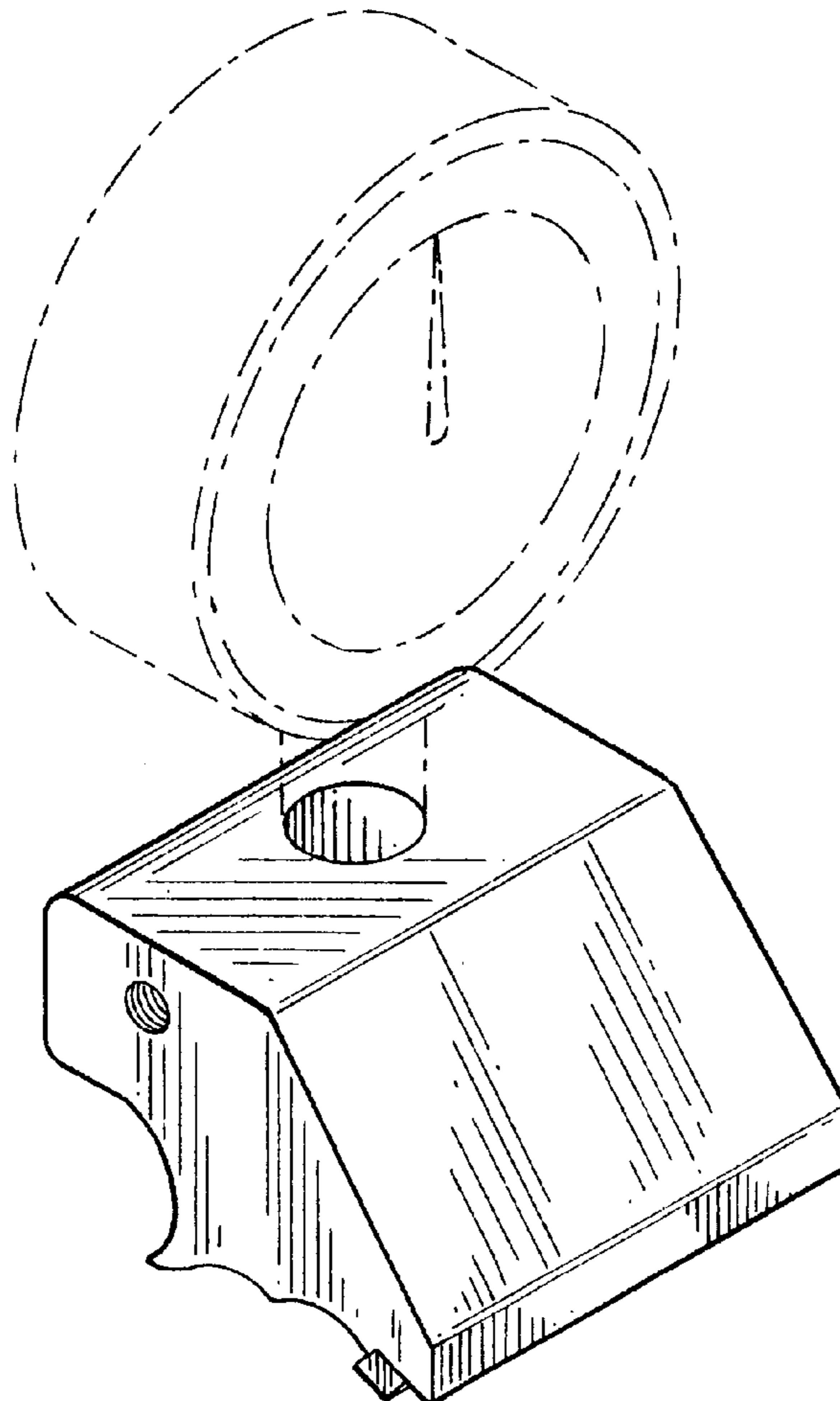
[57] **CLAIM**

The ornamentl design for a planar blade setting jig housing, as shown and described.

DESCRIPTION

FIG. 1 is a perspective view of a planar blade setting jig housing showing my new design, the broken lines showing a gauge being for illustrative purposes only and forming no part of the claimed design.
FIG. 2 is a front elevational view thereof;
FIG. 3 is a right side elevational view thereof;
FIG. 4 is a left side elevational thereof;
FIG. 5 is a top plan view thereof;
FIG. 6 is a bottom plan view thereof; and,
FIG. 7 is a rear elevational view thereof.

1 Claim, 1 Drawing Sheet



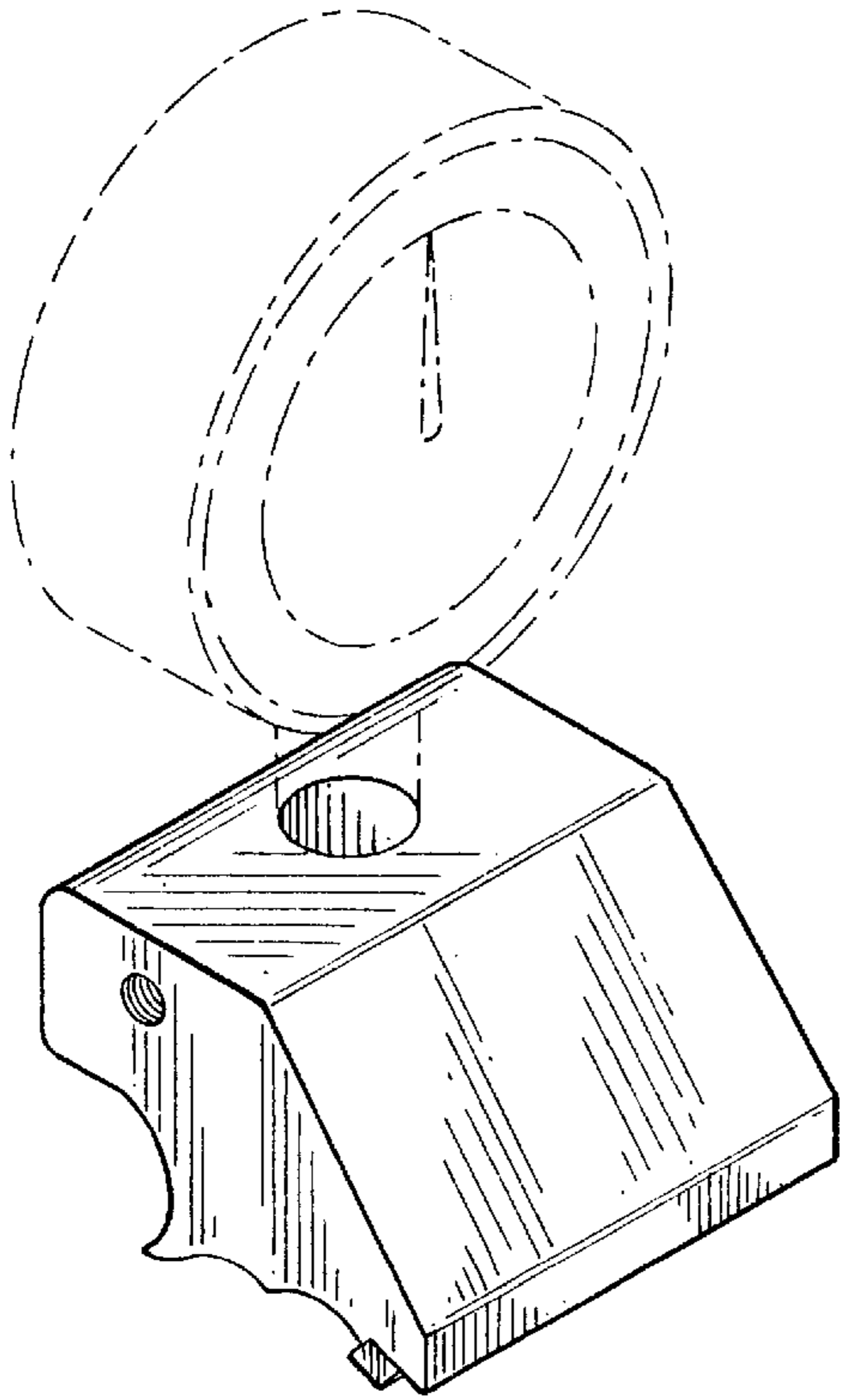


FIG. 1

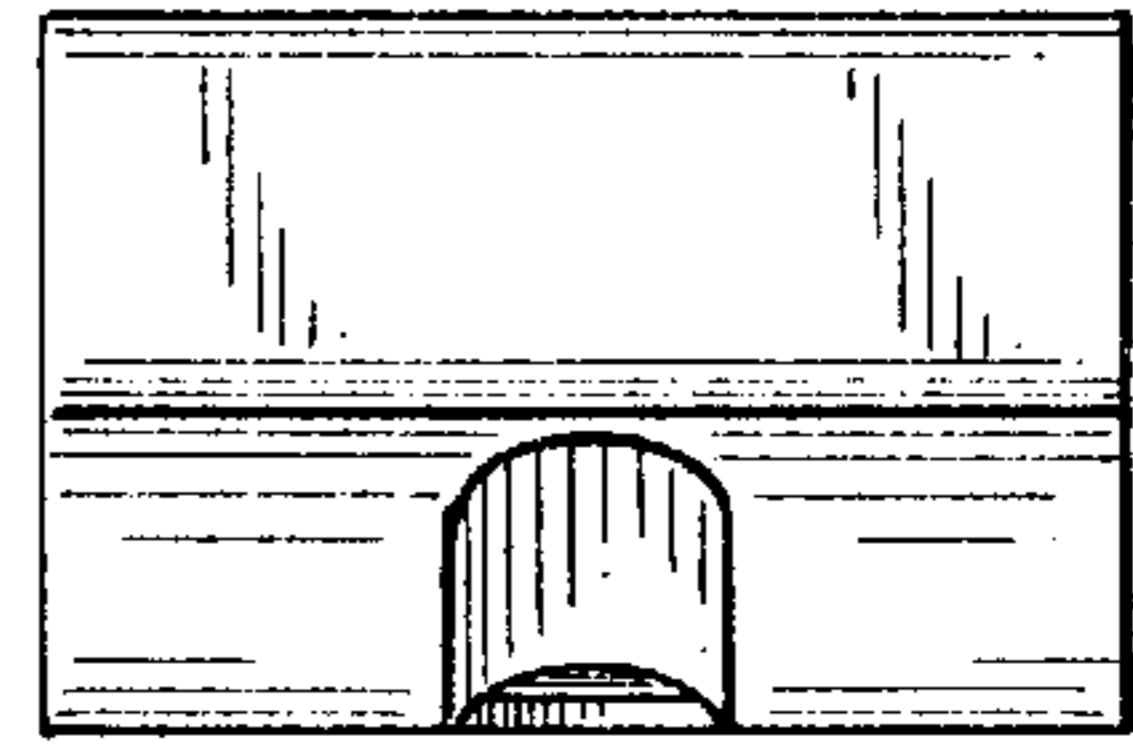


FIG. 7

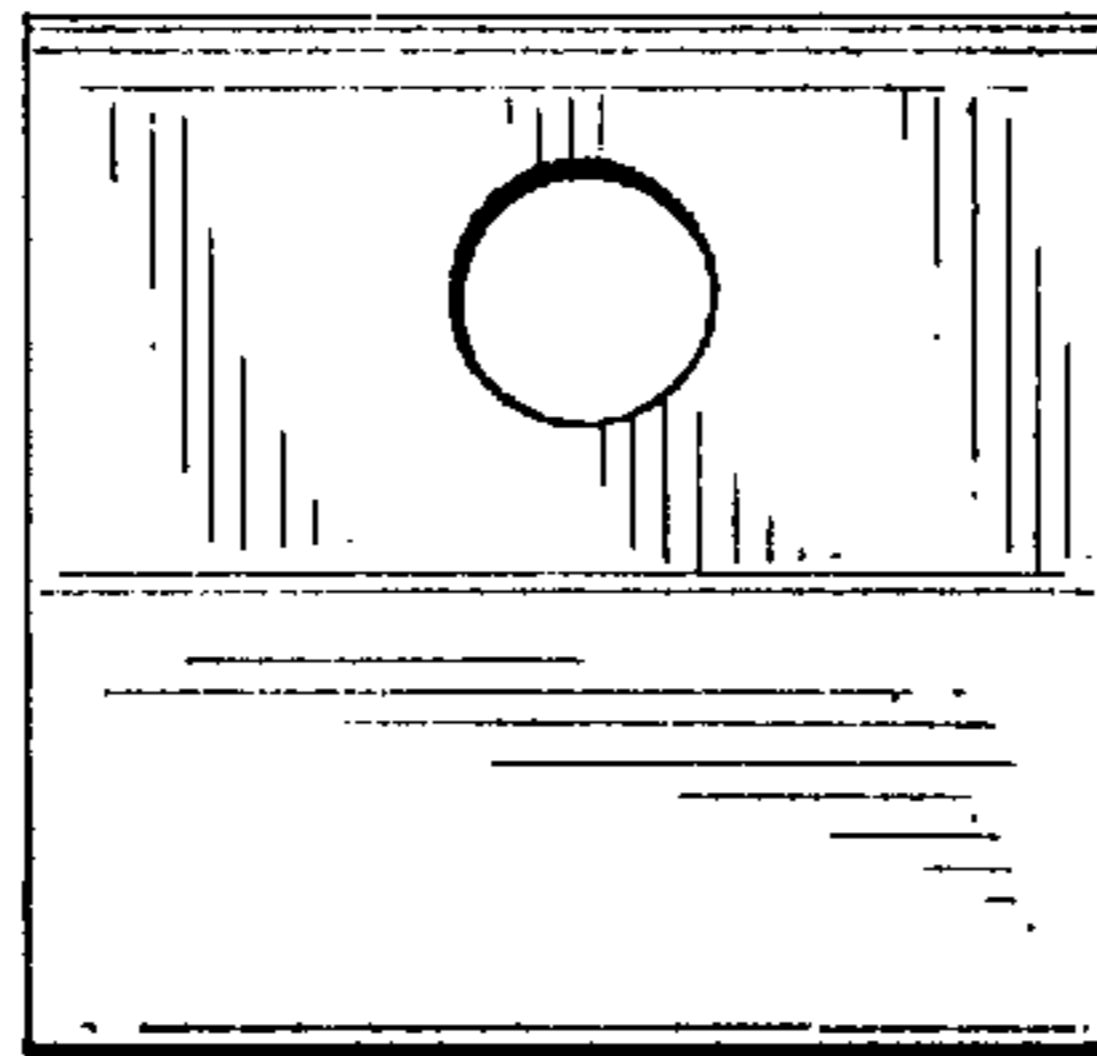


FIG. 5

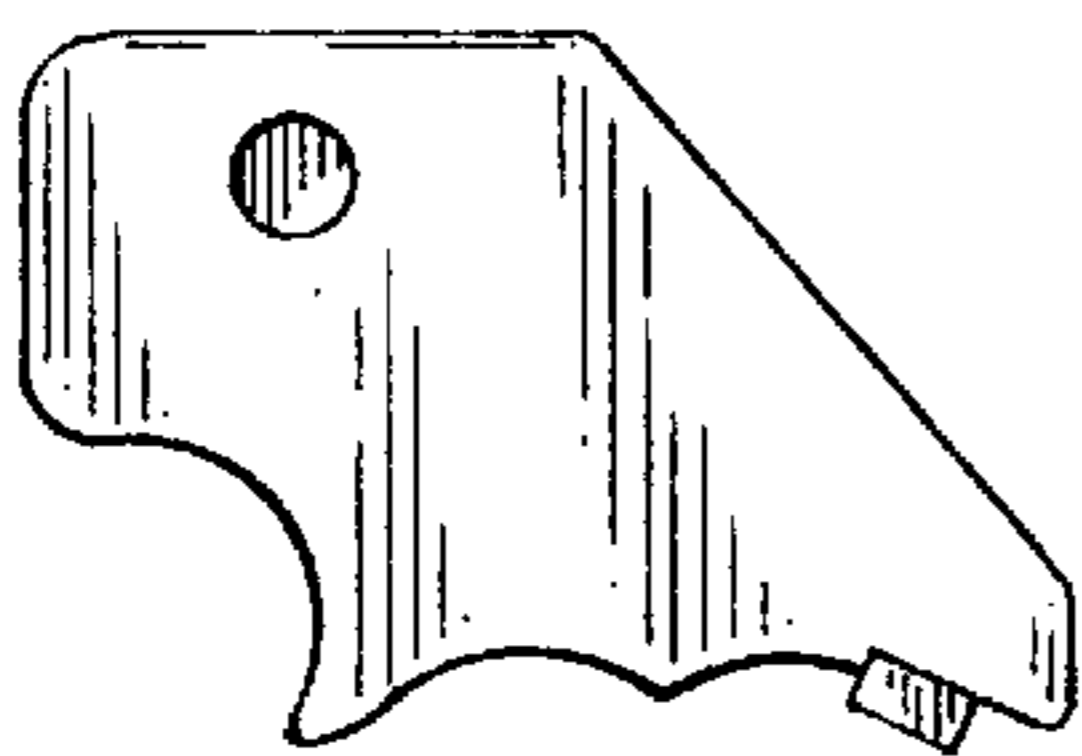


FIG. 4

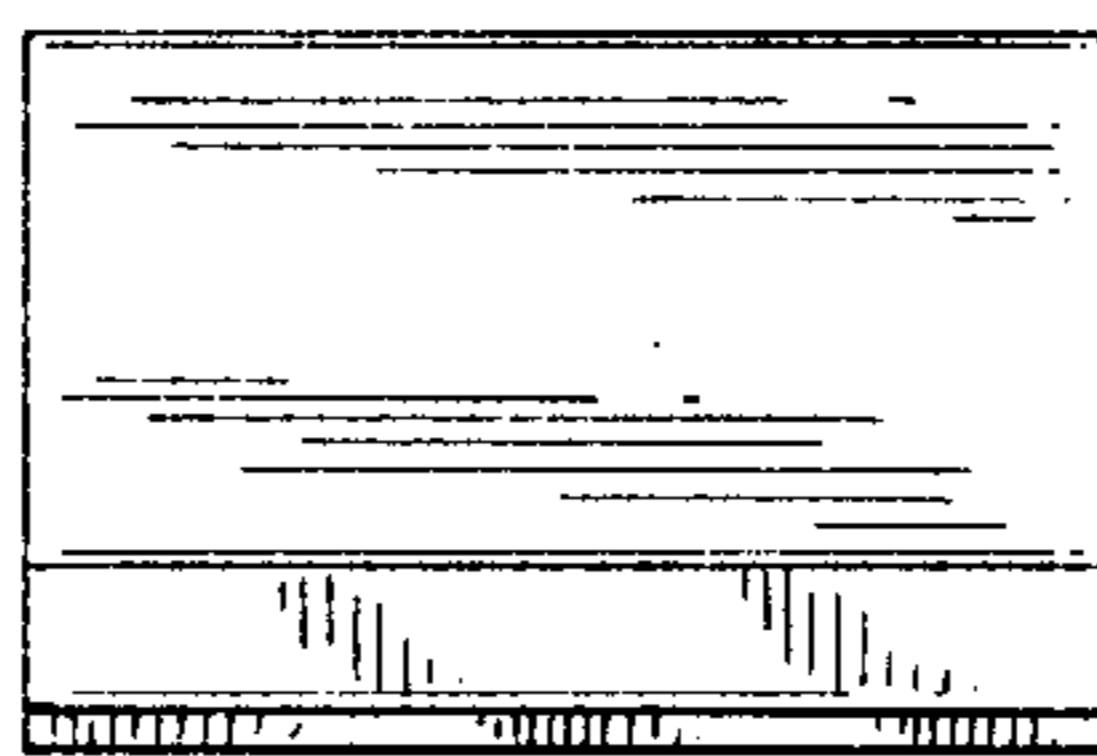


FIG. 2

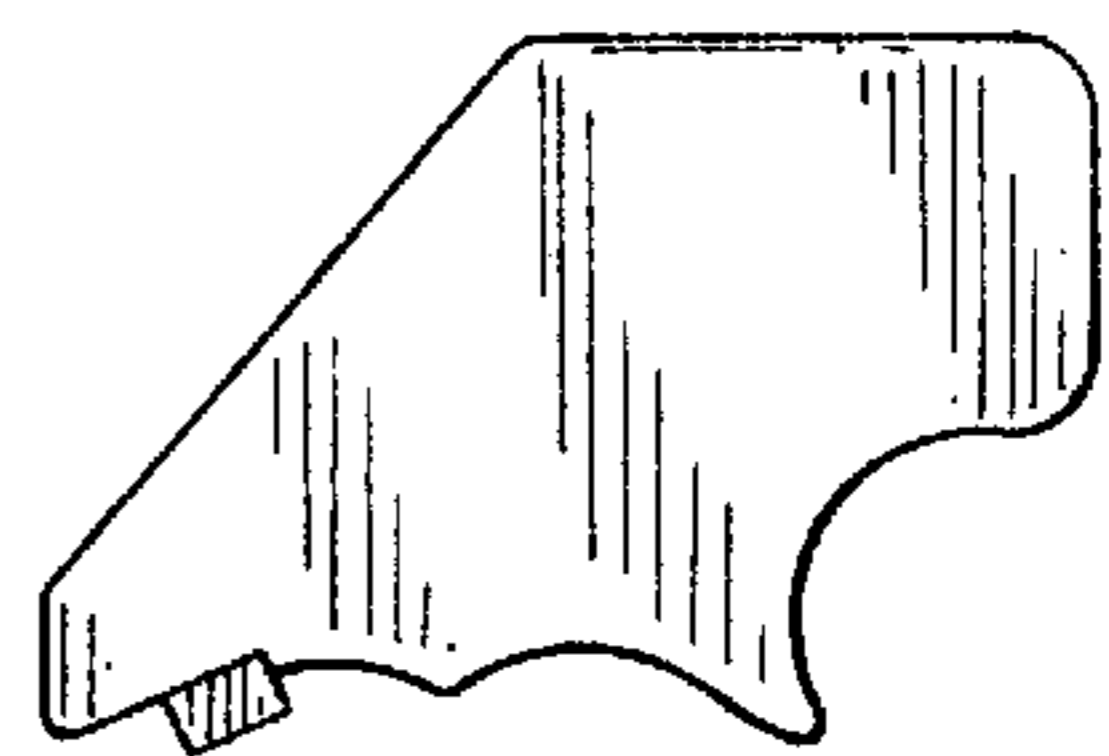


FIG. 3

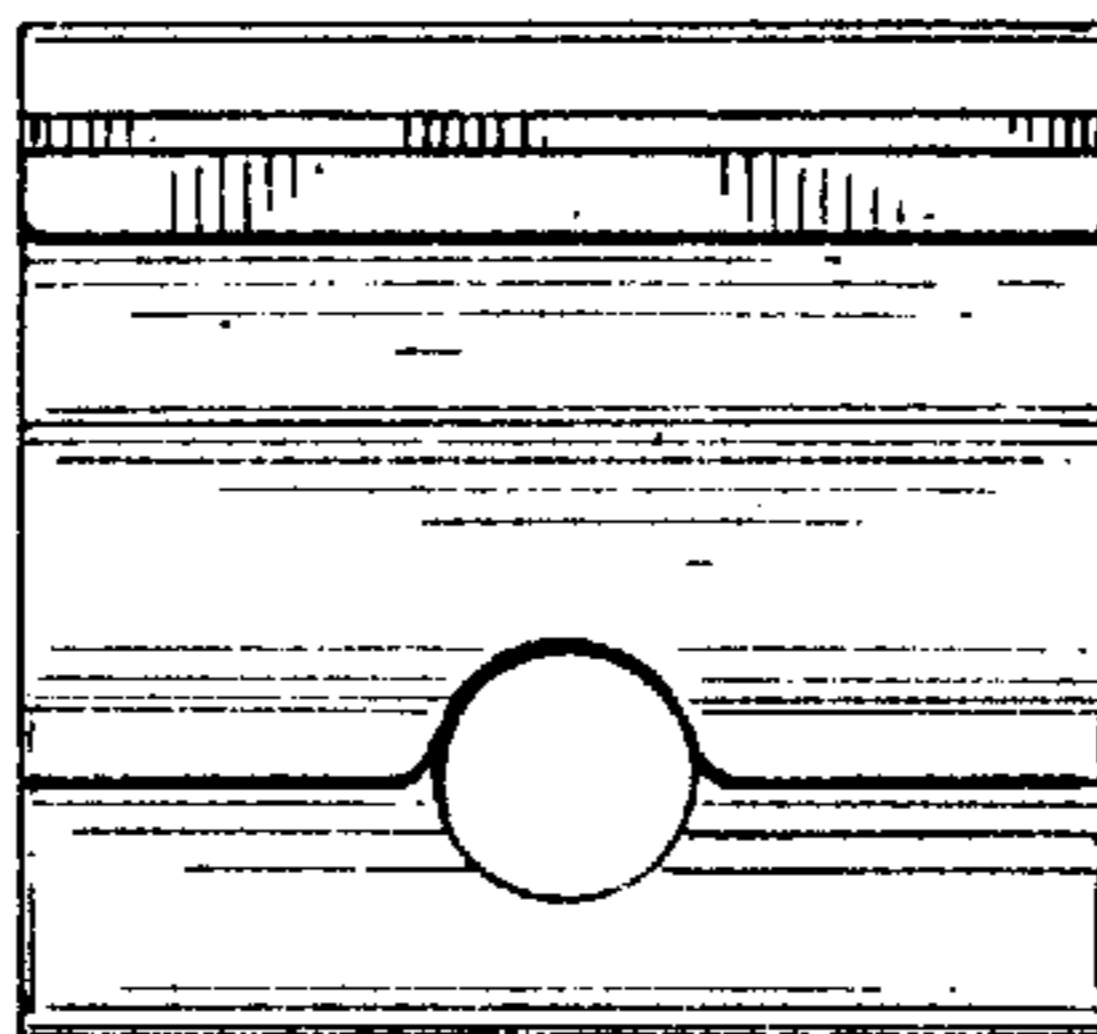


FIG. 6