



US00D412510S

United States Patent [19] Chen

[11] Patent Number: **Des. 412,510**

[45] Date of Patent: **** Aug. 3, 1999**

[54] **MITER SAW**

[76] Inventor: **Ruey-Zon Chen**, No. 261, Jenhwa Rd., Tali City, Taichung Hsien, Taiwan

[**] Term: **14 Years**

[21] Appl. No.: **29/087,984**

[22] Filed: **May 13, 1998**

[51] **LOC (6) Cl.** **15-09**

[52] **U.S. Cl.** **D15/133**

[58] **Field of Search** D15/133; 83/397, 83/471.1, 471.2, 471.3, 477, 581

[56] **References Cited**

U.S. PATENT DOCUMENTS

D. 338,605 8/1993 Dehari D15/133

D. 351,393 10/1994 Sasaki et al. D15/133

Primary Examiner—Antoine Duval Davis
Attorney, Agent, or Firm—Rosenberg, Klein & Bilker

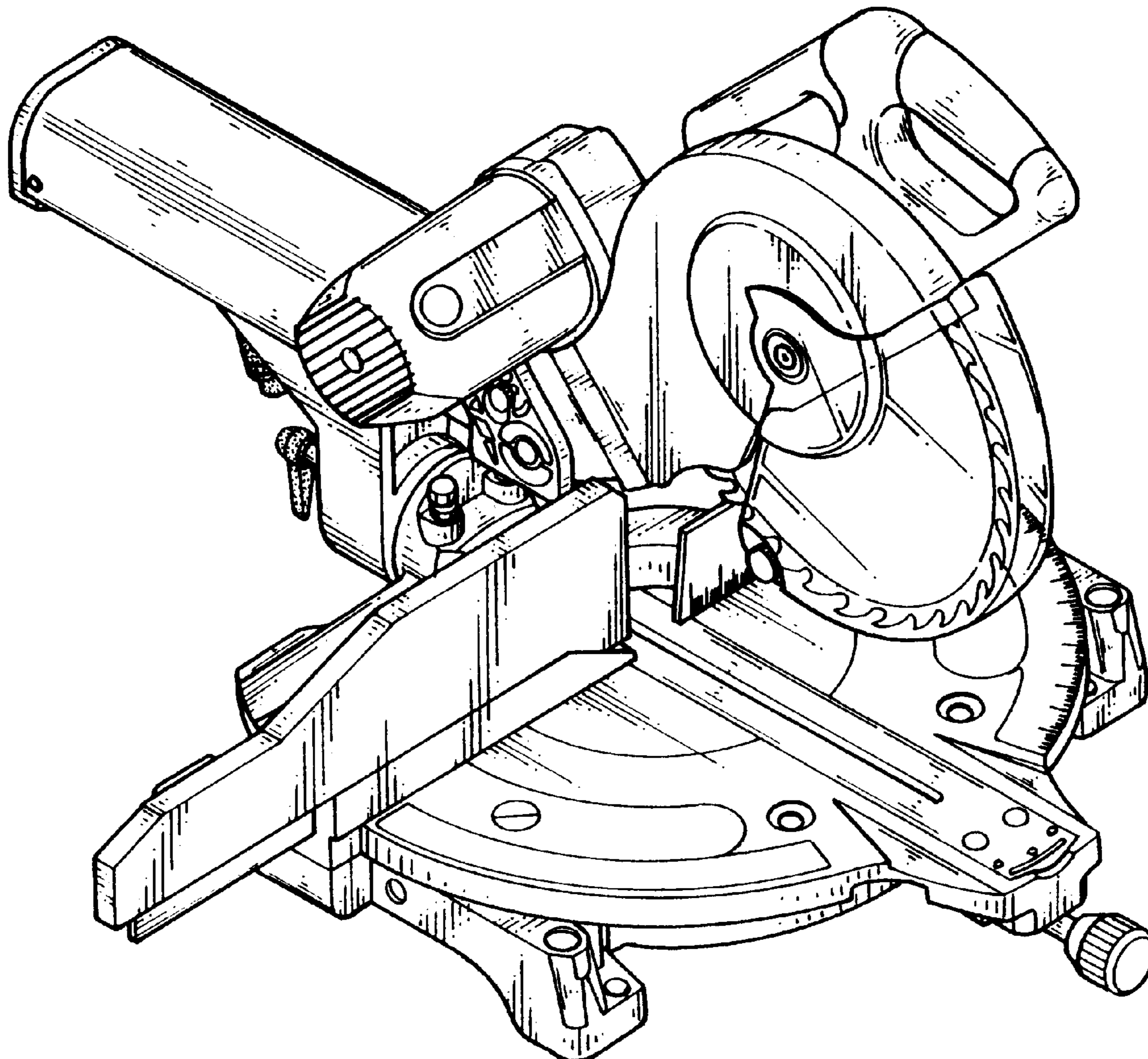
[57] **CLAIM**

The ornamental design for a miter saw, as shown.

DESCRIPTION

FIG. 1 is a front-left-top perspective view of a miter saw, showing my new design;
FIG. 2 is a front elevational view thereof;
FIG. 3 is a rear elevational view thereof;
FIG. 4 is a left elevational view thereof;
FIG. 5 is a right elevational view thereof;
FIG. 6 is a top plan view thereof; and,
FIG. 7 is a bottom plan view thereof.

1 Claim, 4 Drawing Sheets



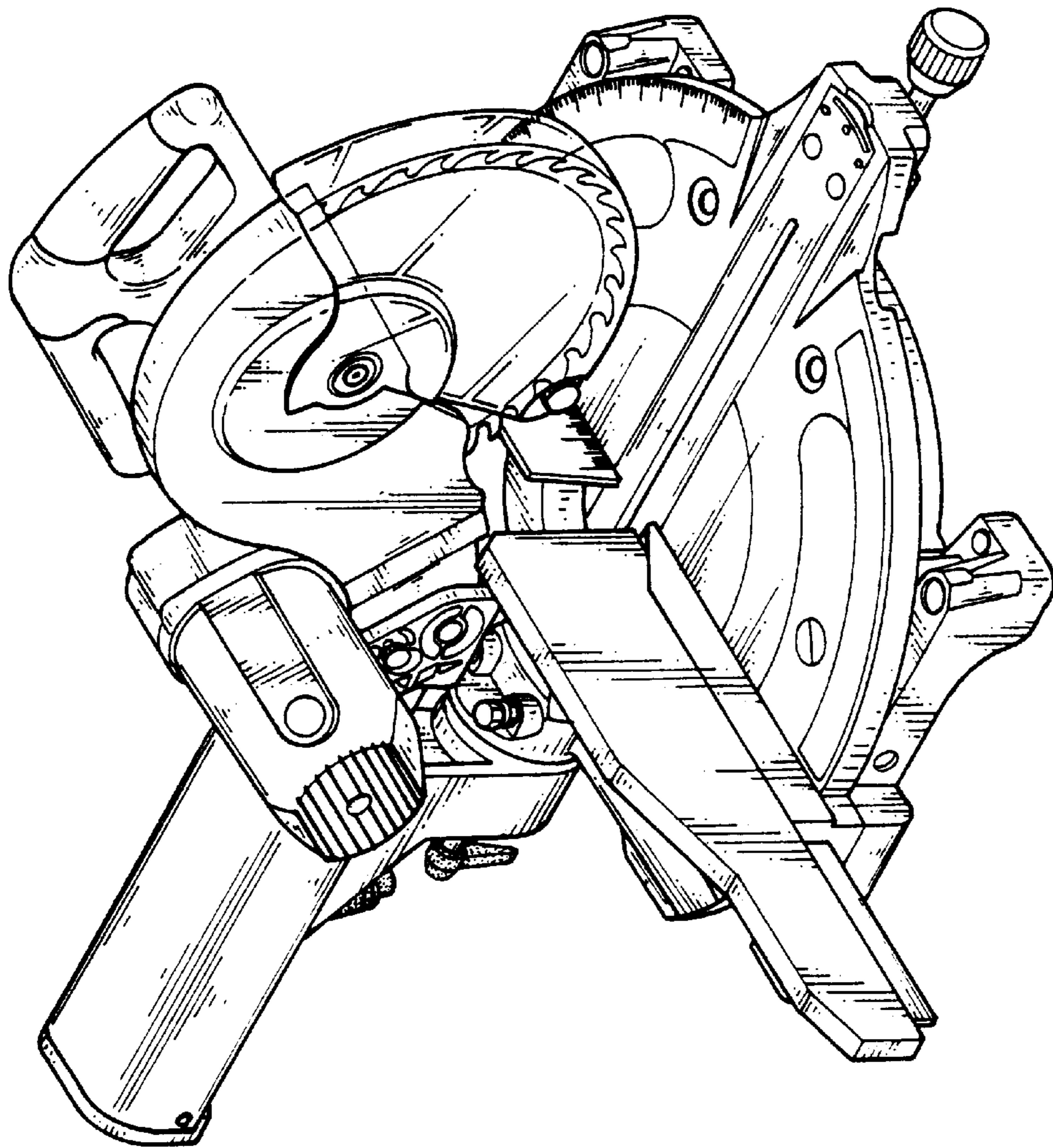


FIG. 1

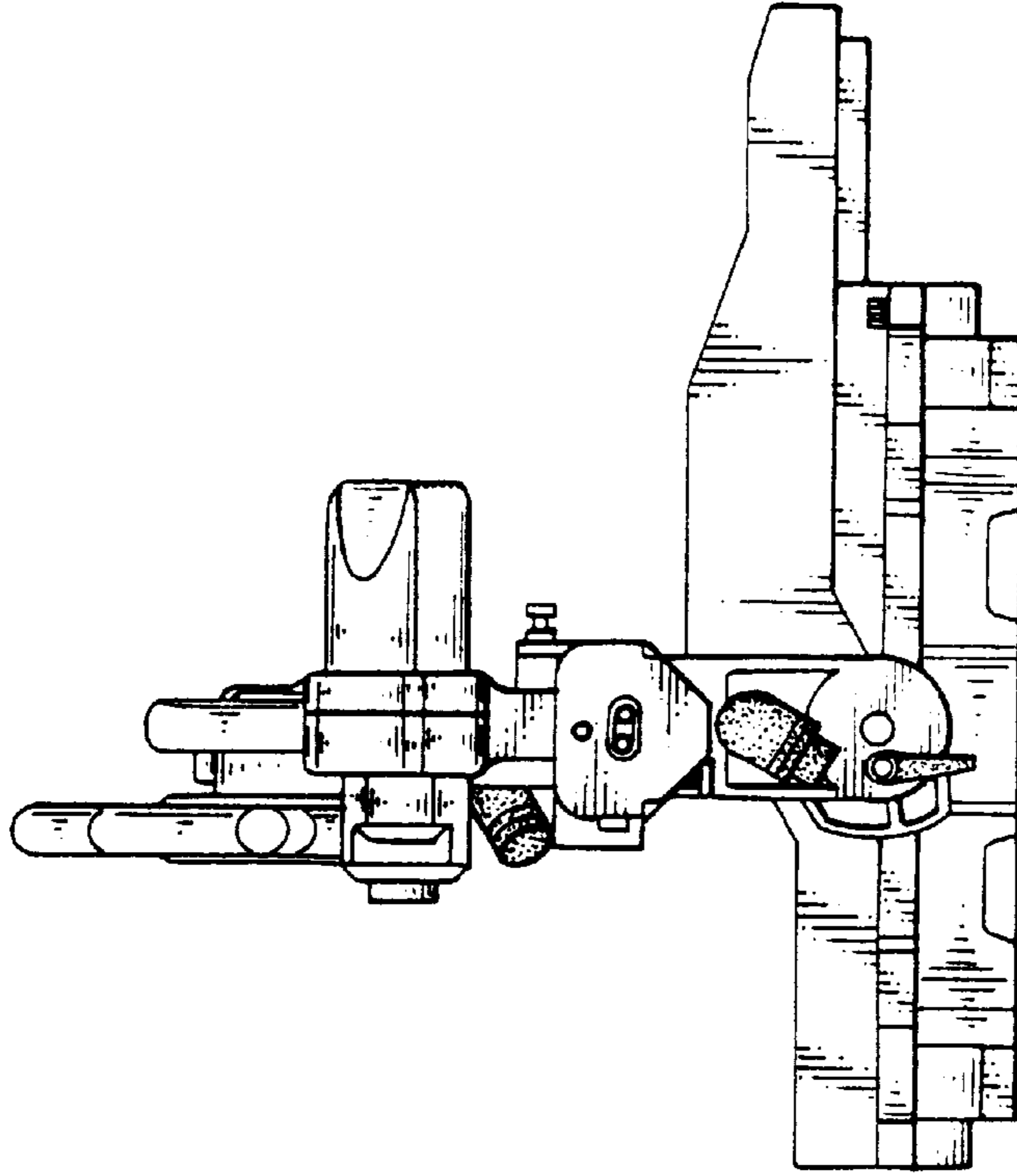


FIG. 3

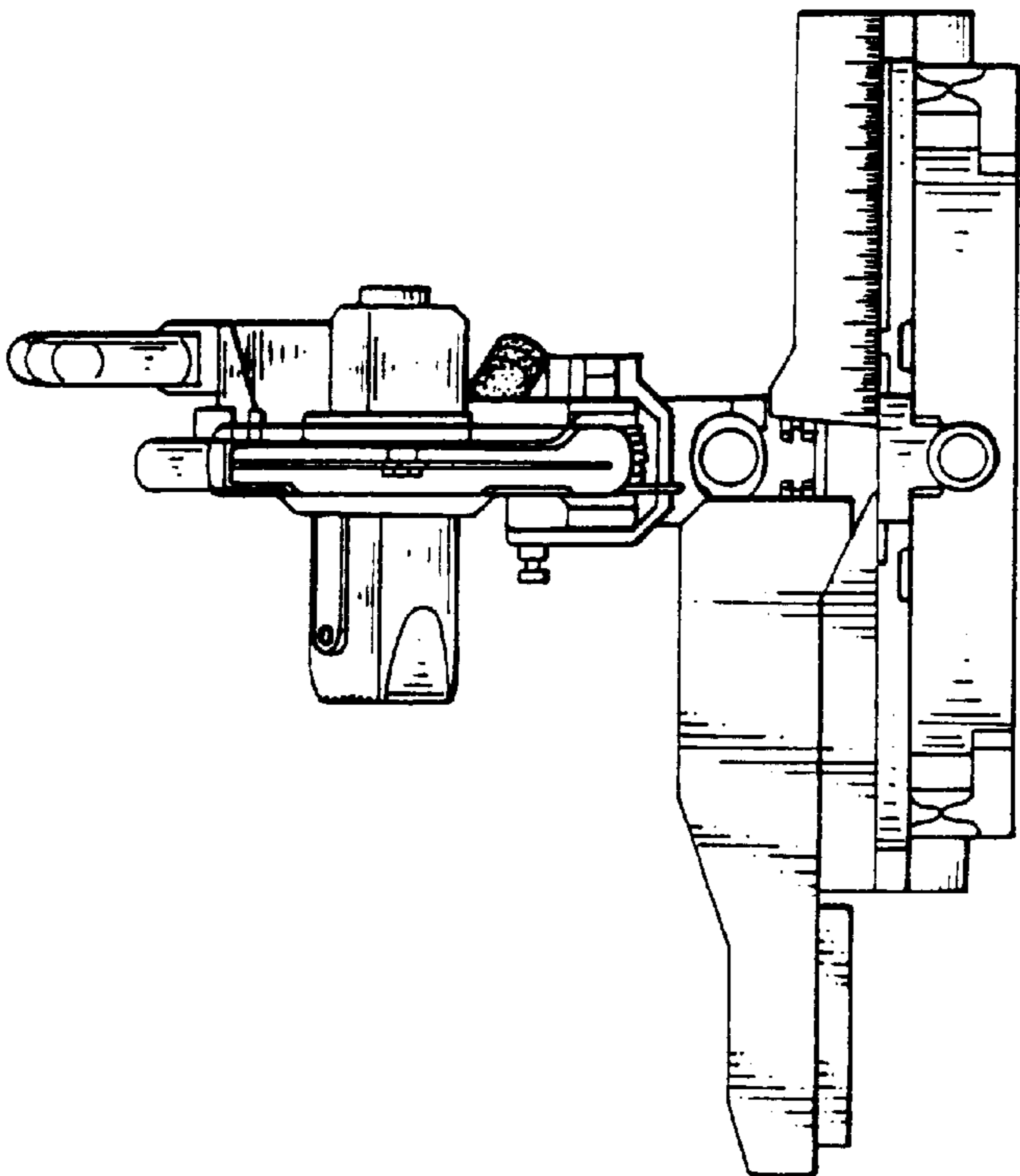


FIG. 2

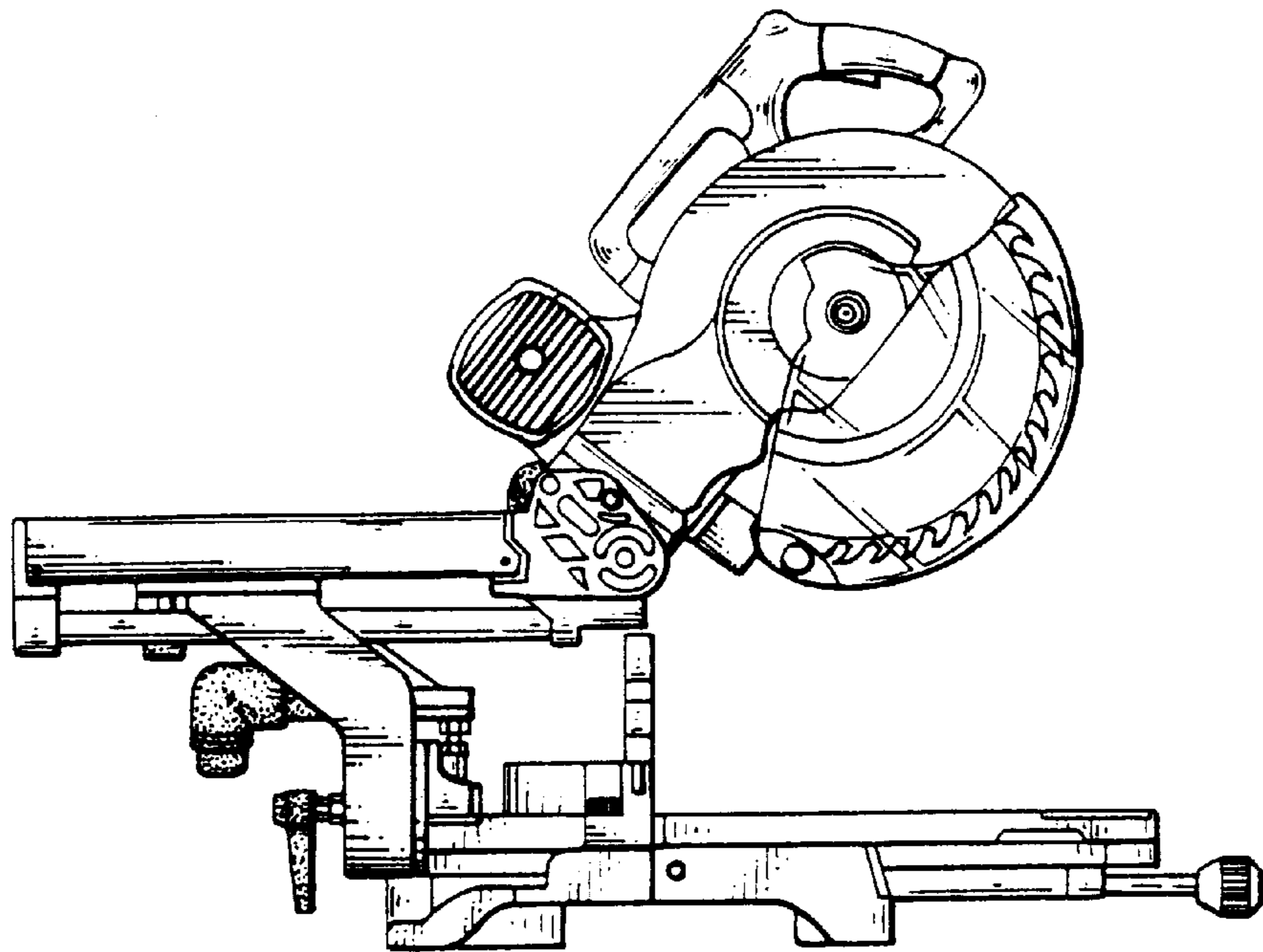


FIG. 4

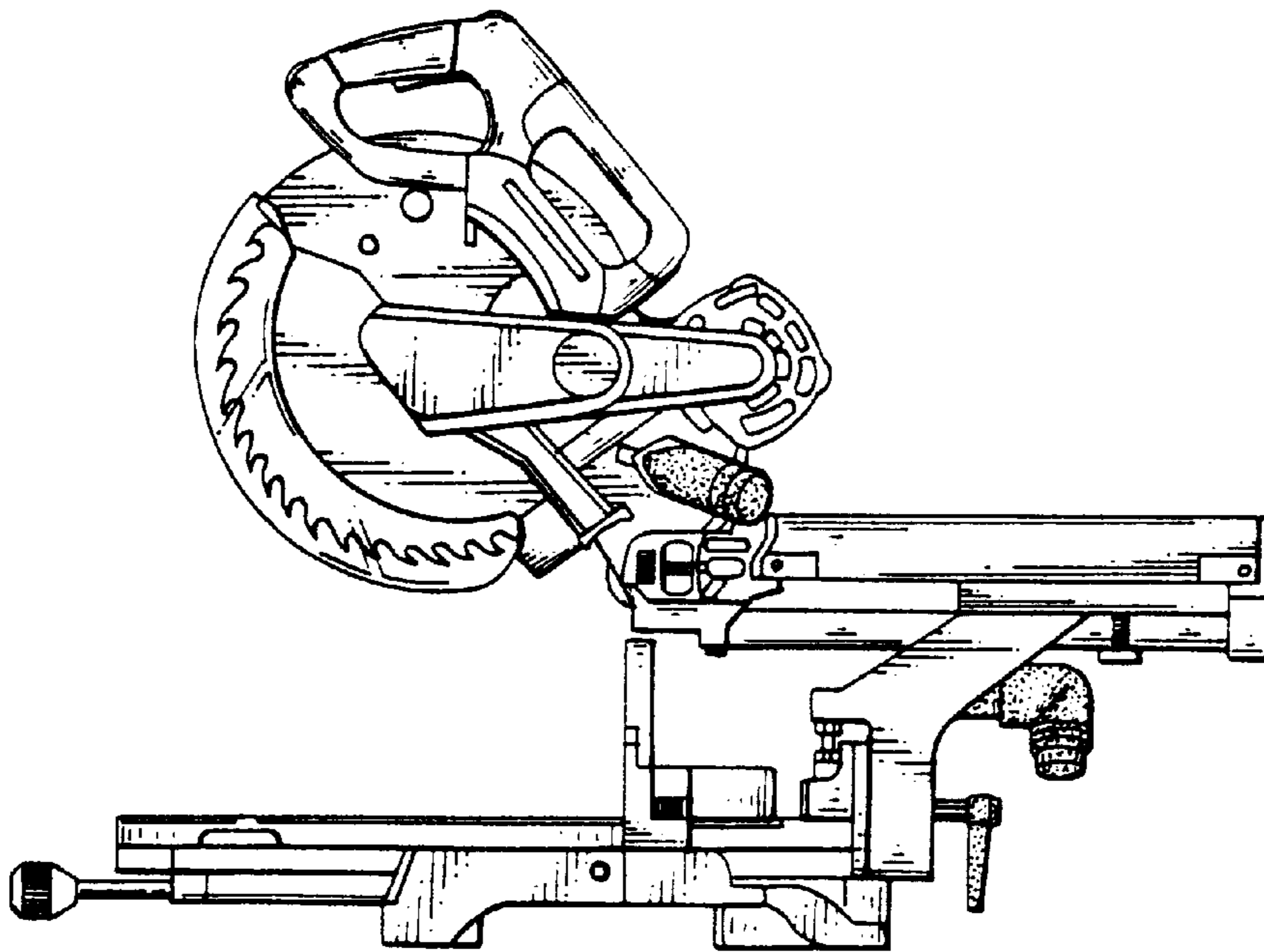


FIG. 5

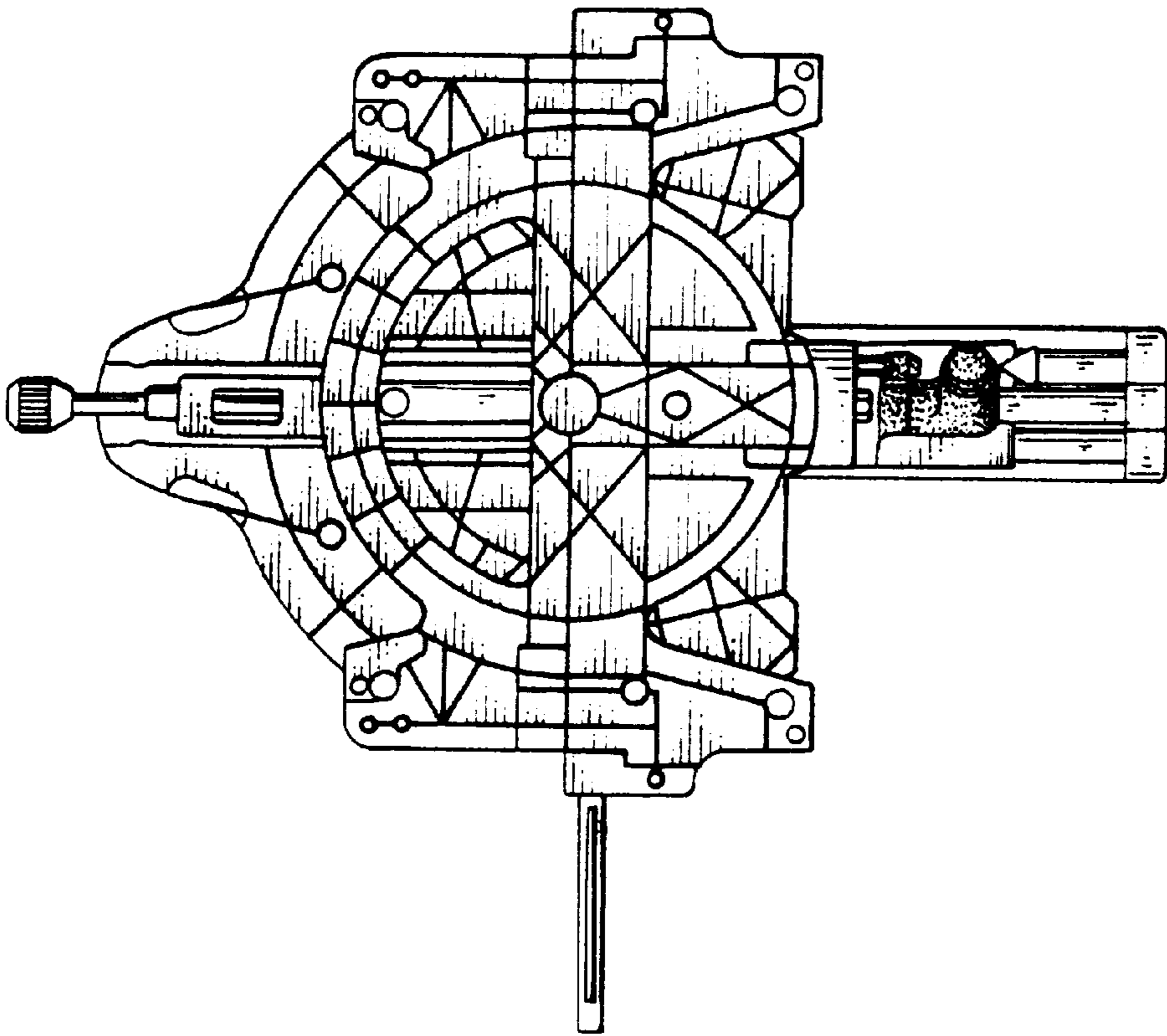


FIG. 7

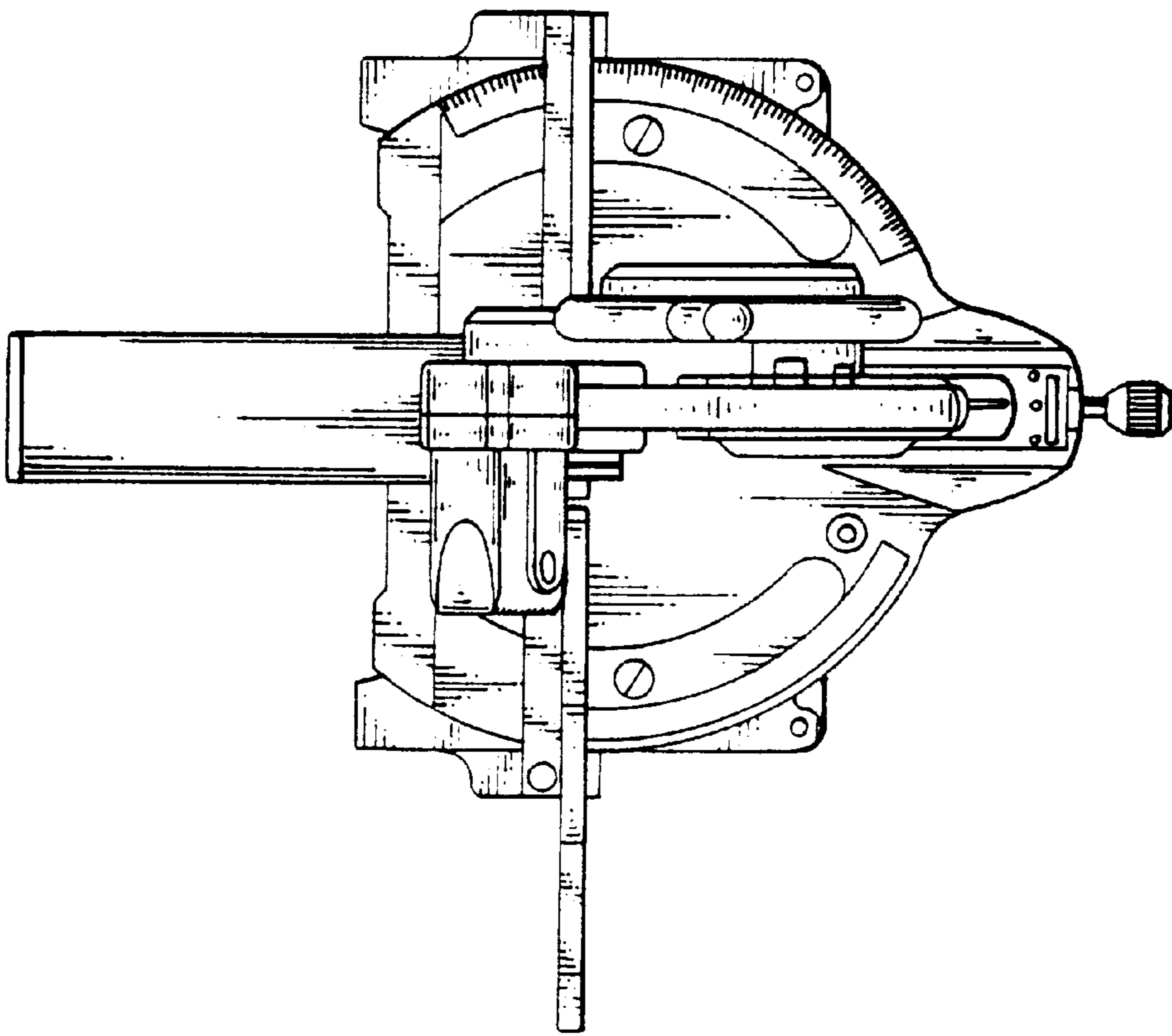


FIG. 6