



US00D412509S

# United States Patent [19]

Chen et al.

[11] Patent Number: **Des. 412,509**

[45] Date of Patent: **\*\* Aug. 3, 1999**

[54] **DRILLING MACHINE**

D. 401,947 12/1998 Chen ..... D15/132

[75] Inventors: **Ruey-Zon Chen**, No. 261, Jenhwa Rd., Tali City, Taichung Hsien, Taiwan; **Matthias A. Dietl**, Munich, Germany

*Primary Examiner*—Antoine Duval Davis  
*Attorney, Agent, or Firm*—Dellett and Walters

[73] Assignee: **Ruey-Zon Chen**, Taichung Hsien, Taiwan

### [57] CLAIM

[\*\*] Term: **14 Years**

The ornamental design for a drilling machine, as shown and described.

[21] Appl. No.: **29/089,123**

### DESCRIPTION

[22] Filed: **Jun. 8, 1998**

FIG. 1 is a front-left-top perspective view of a drilling machine, showing my new design;

[51] **LOC (6) Cl.** ..... **15-09**

FIG. 2 is a front plan view thereof;

[52] **U.S. Cl.** ..... **D15/132**

FIG. 3 is a rear plan view thereof;

[58] **Field of Search** ..... D15/132; 29/26 A, 29/33 R, 33 K, 35, 300, 560; 408/87, 90, 124, 129, 130, 234, 235, 236, 237; 409/185, 231

FIG. 4 is a left side plan view thereof;

FIG. 5 is a right side plan view thereof;

FIG. 6 is a top plan view thereof; and,

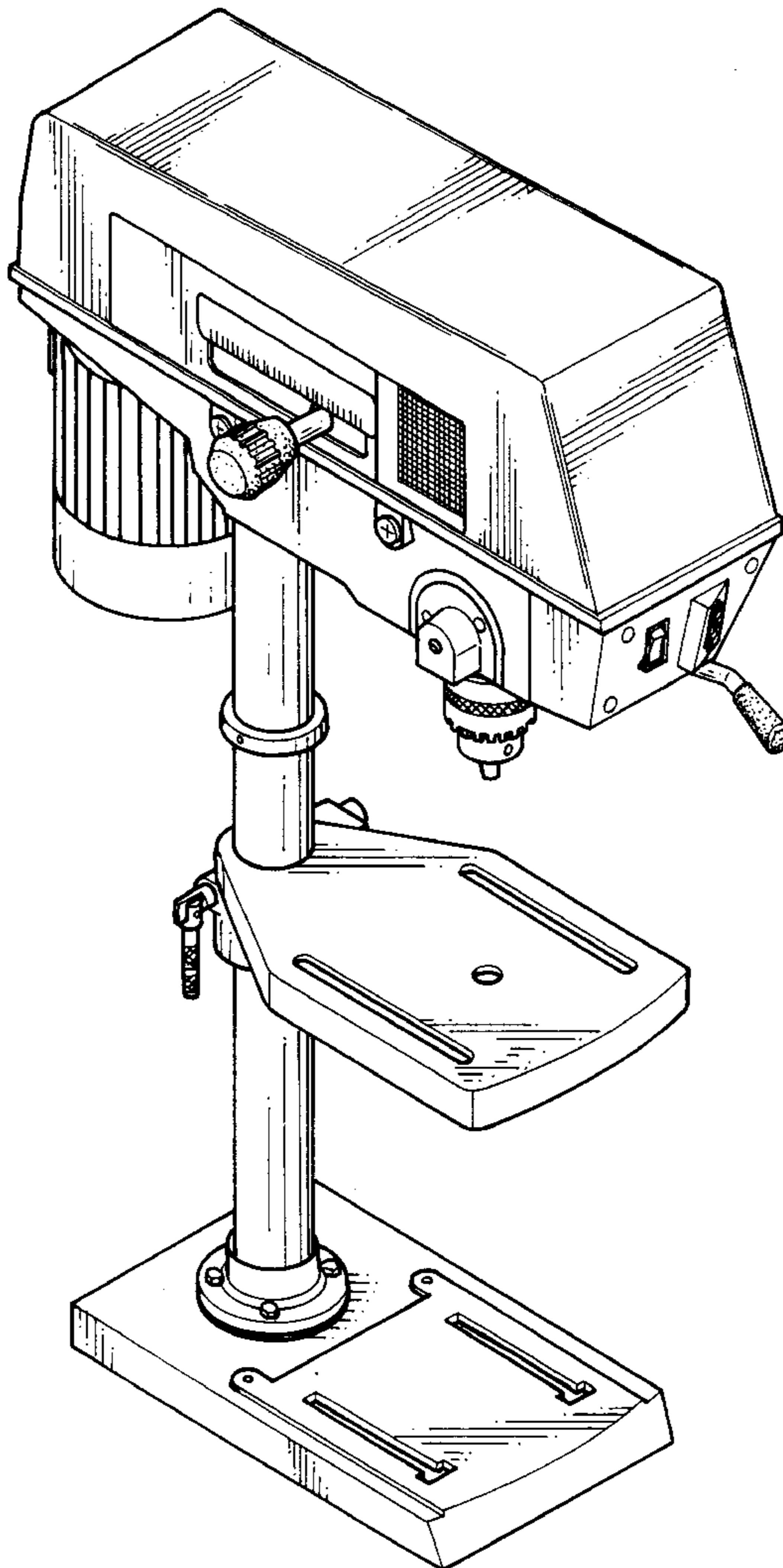
FIG. 7 is a bottom plan view thereof.

### [56] References Cited

#### U.S. PATENT DOCUMENTS

D. 285,797 9/1986 Arehart ..... D15/132

**1 Claim, 4 Drawing Sheets**



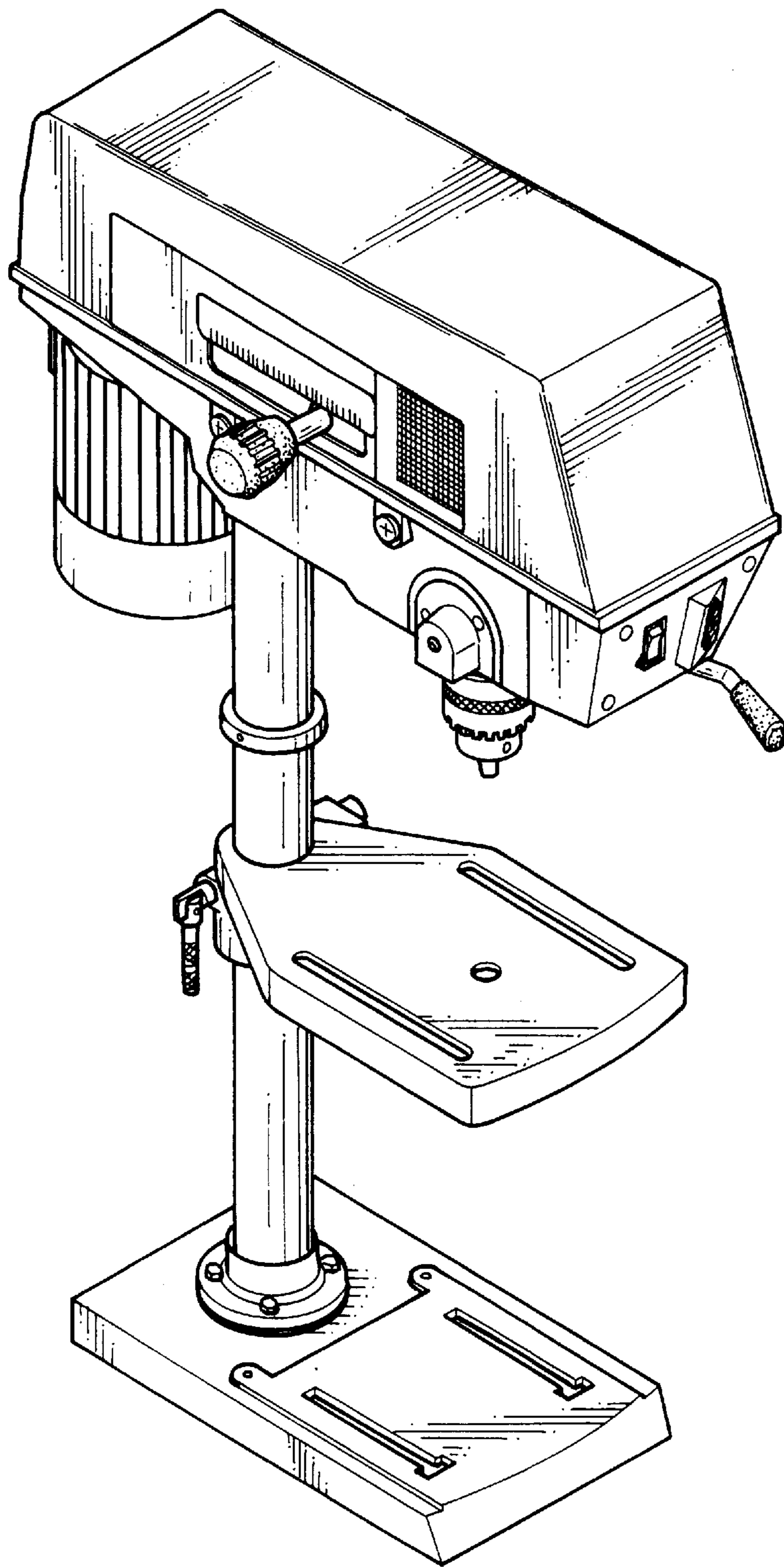


FIG. 1

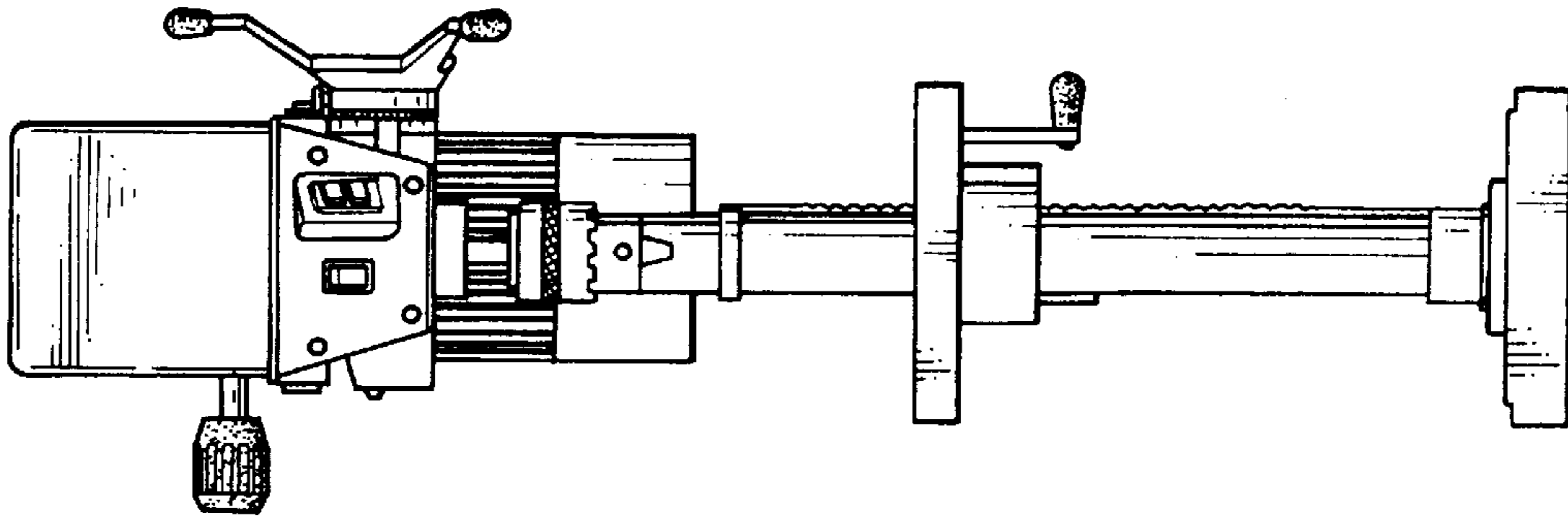


FIG. 2

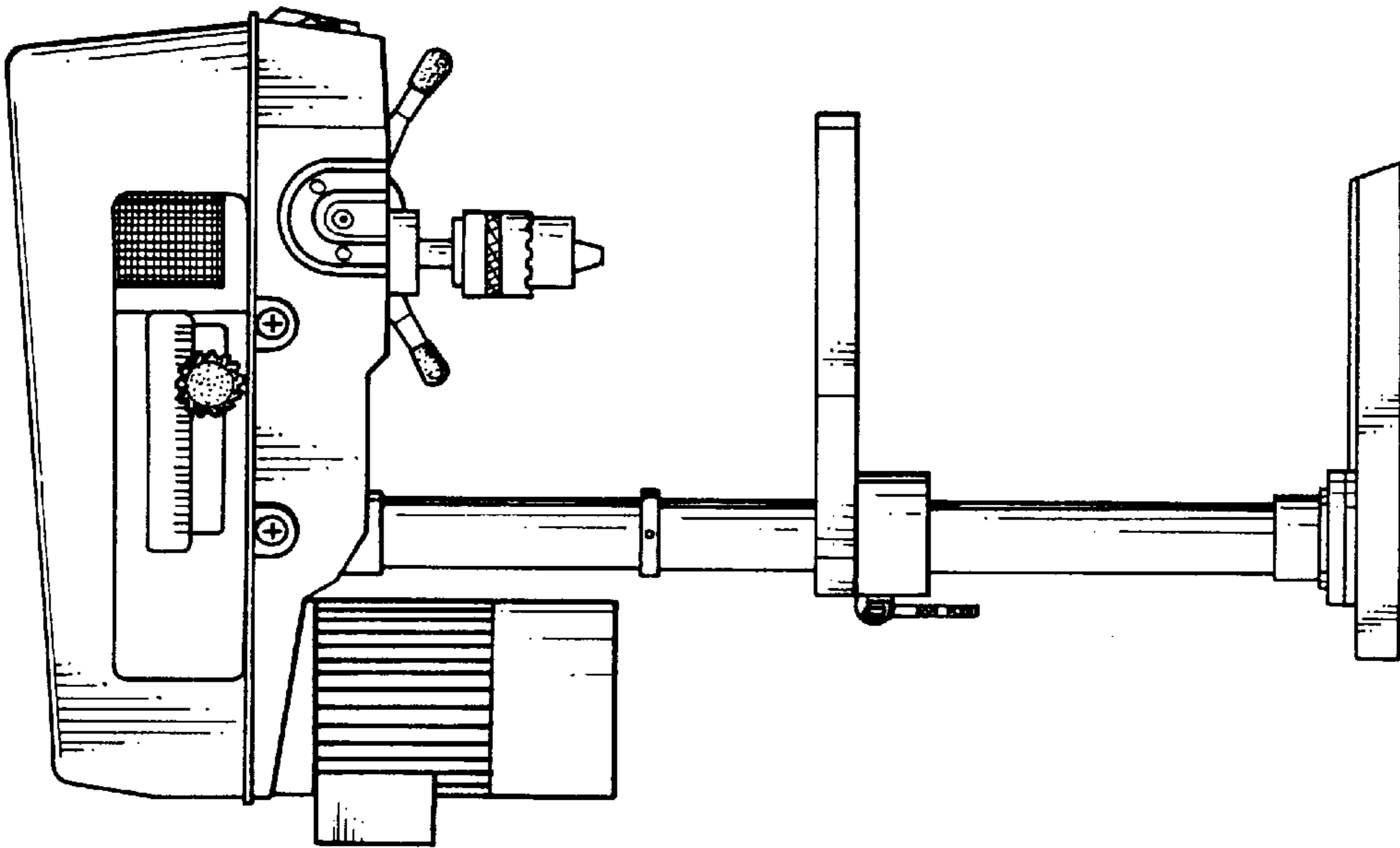


FIG. 4

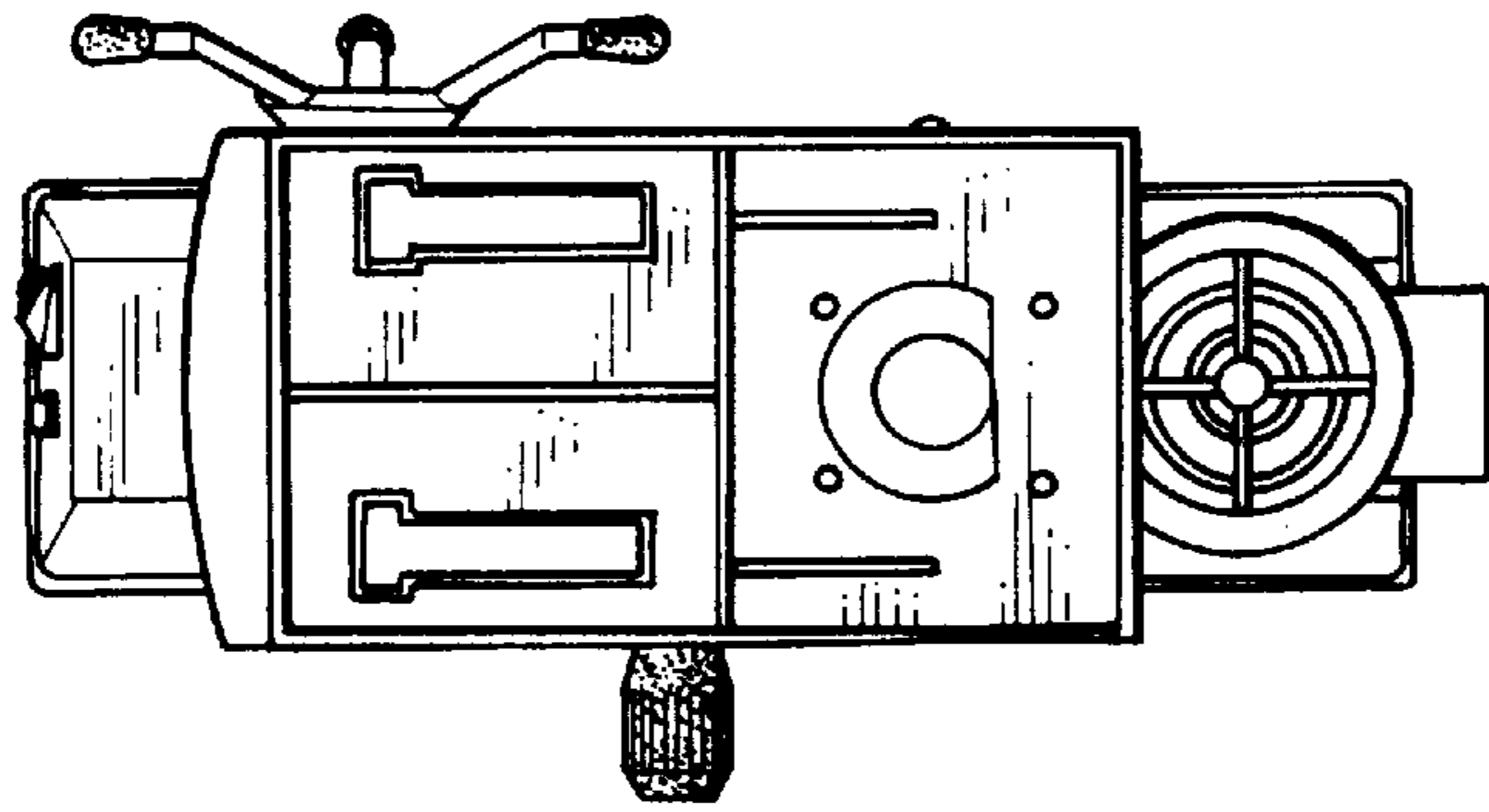


FIG. 7

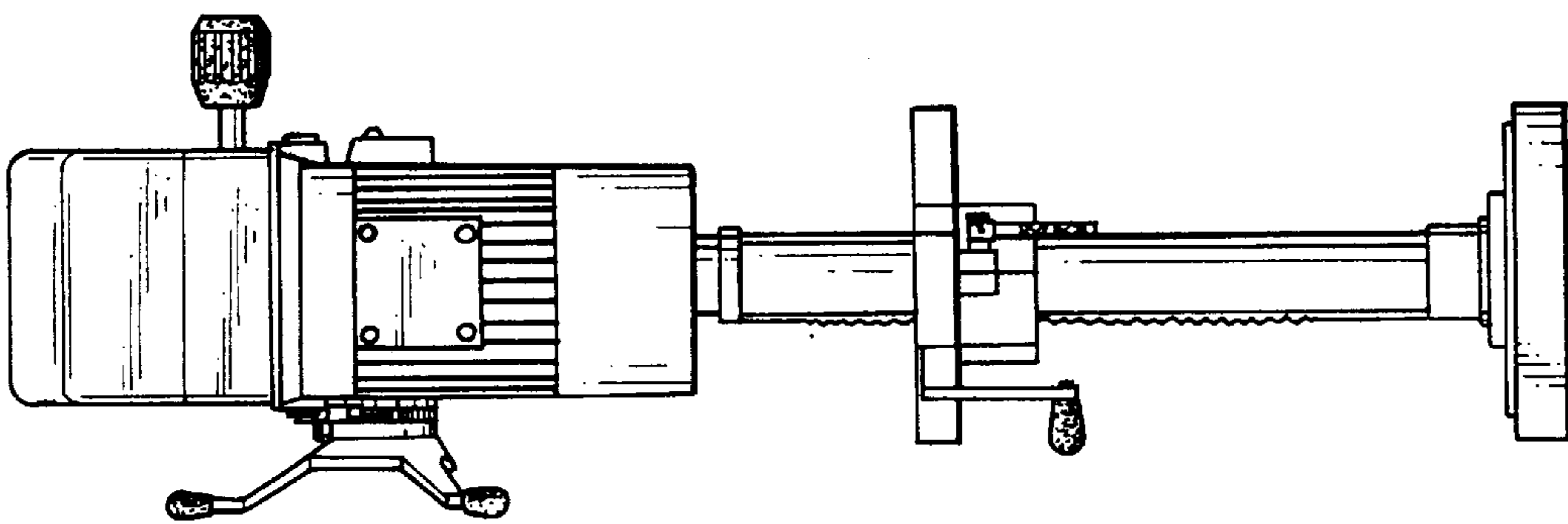


FIG. 3

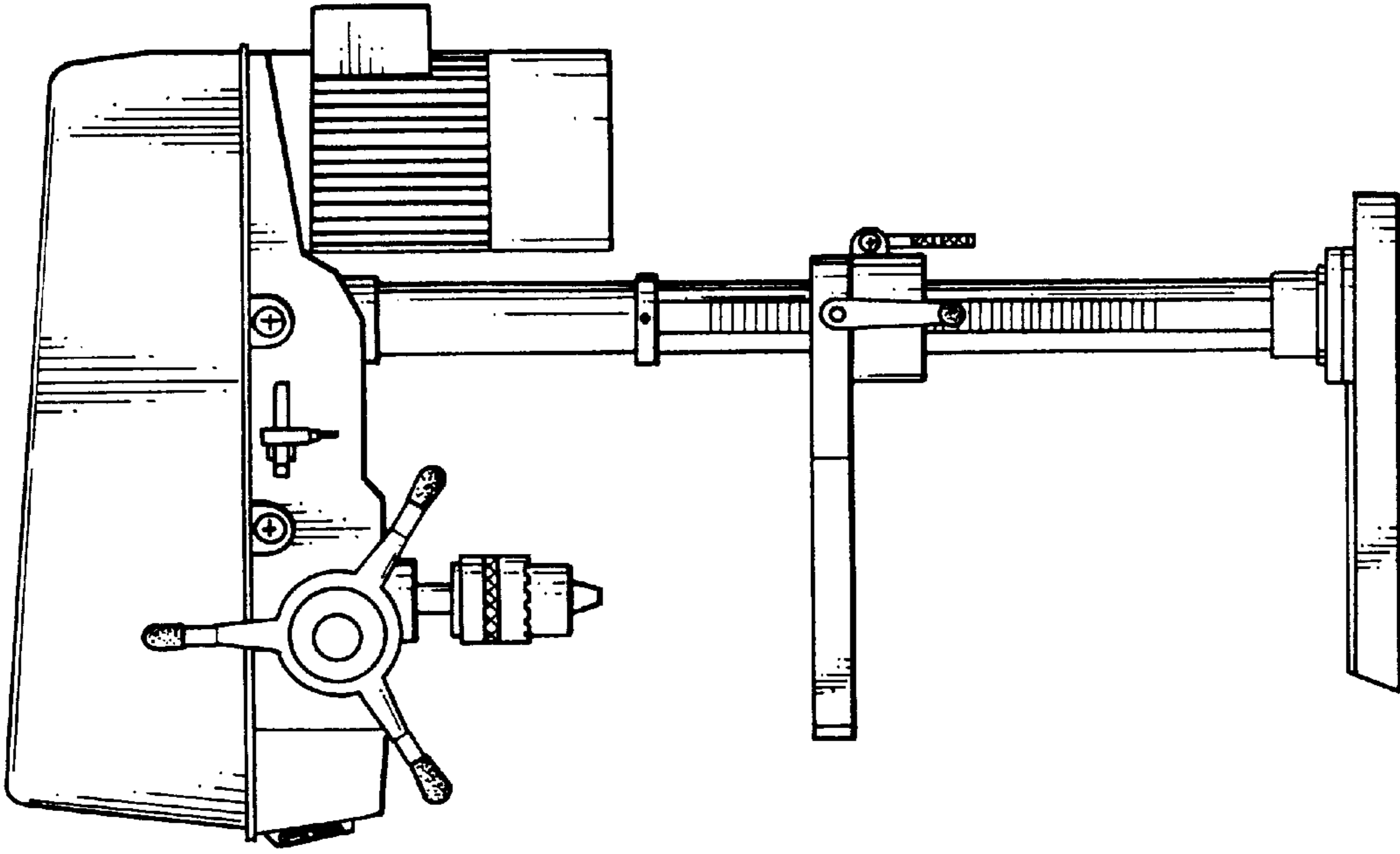


FIG. 5

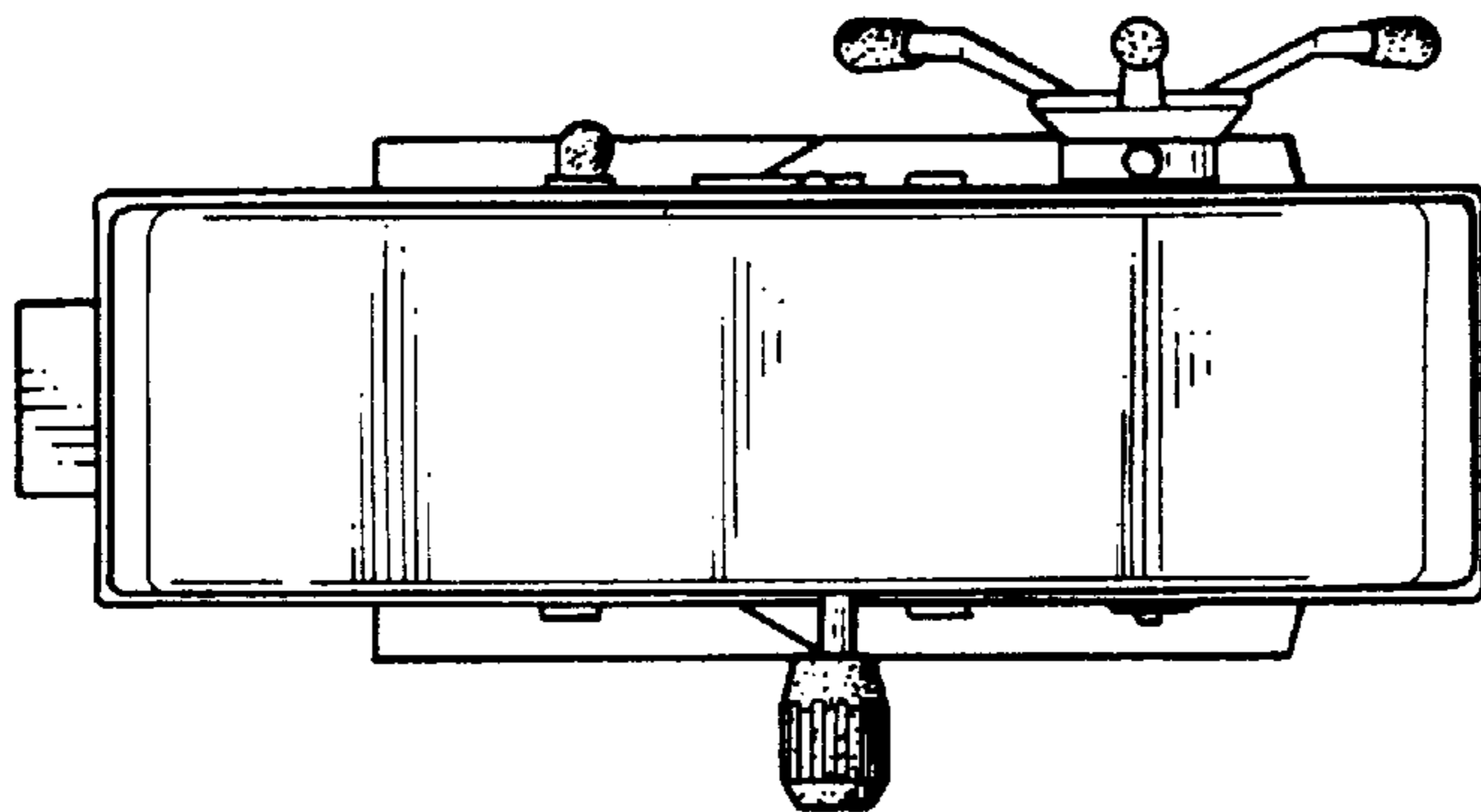


FIG. 6