



US00D412507S

United States Patent [19]

Underhill et al.

[11] **Patent Number: Des. 412,507**

[45] **Date of Patent: ** Aug. 3, 1999**

[54] **ROUND BALER**

5,231,828 8/1993 Swearingen et al. 56/341

[75] Inventors: **Kenneth R. Underhill**, Strasburg, Pa.;
Russell W. Strong, Craftsbury, Vt.

OTHER PUBLICATIONS

New Holland North America, Inc. publication No. 31063441 • 59650 entitled New Holland Roll-Belt (TM) Round Balers, undated.

[73] Assignee: **New Holland North America, Inc.**,
New Holland, Pa.

Primary Examiner—Sandra L. Morris
Attorney, Agent, or Firm—Frank A. Seemar; Larry W. Miller; J. William Stader

[**] Term: **14 Years**

[21] Appl. No.: **29/069,864**

[57] CLAIM

[22] Filed: **May 15, 1997**

The ornamental design for a round baler, as shown and described.

[51] **LOC (6) Cl.** **15-03**

[52] **U.S. Cl.** **D15/27**

[58] **Field of Search** D15/10, 17, 27,
D15/28; 56/202, 341, 342; 100/4, 5

DESCRIPTION

FIG. 1 is a top view of our new design for a round baler.
FIG. 2 is a front view of the round baler.
FIG. 3 is a rear view of the round baler.
FIG. 4 is a right side elevational view of the round baler;
and,
FIG. 5 is a left side elevational view of the round baler.

[56] References Cited

U.S. PATENT DOCUMENTS

D. 242,572	11/1976	Grist et al.	D15/27
D. 321,889	11/1991	Burns et al.	D15/17
5,138,942	8/1992	Henderson et al.	100/88

1 Claim, 5 Drawing Sheets

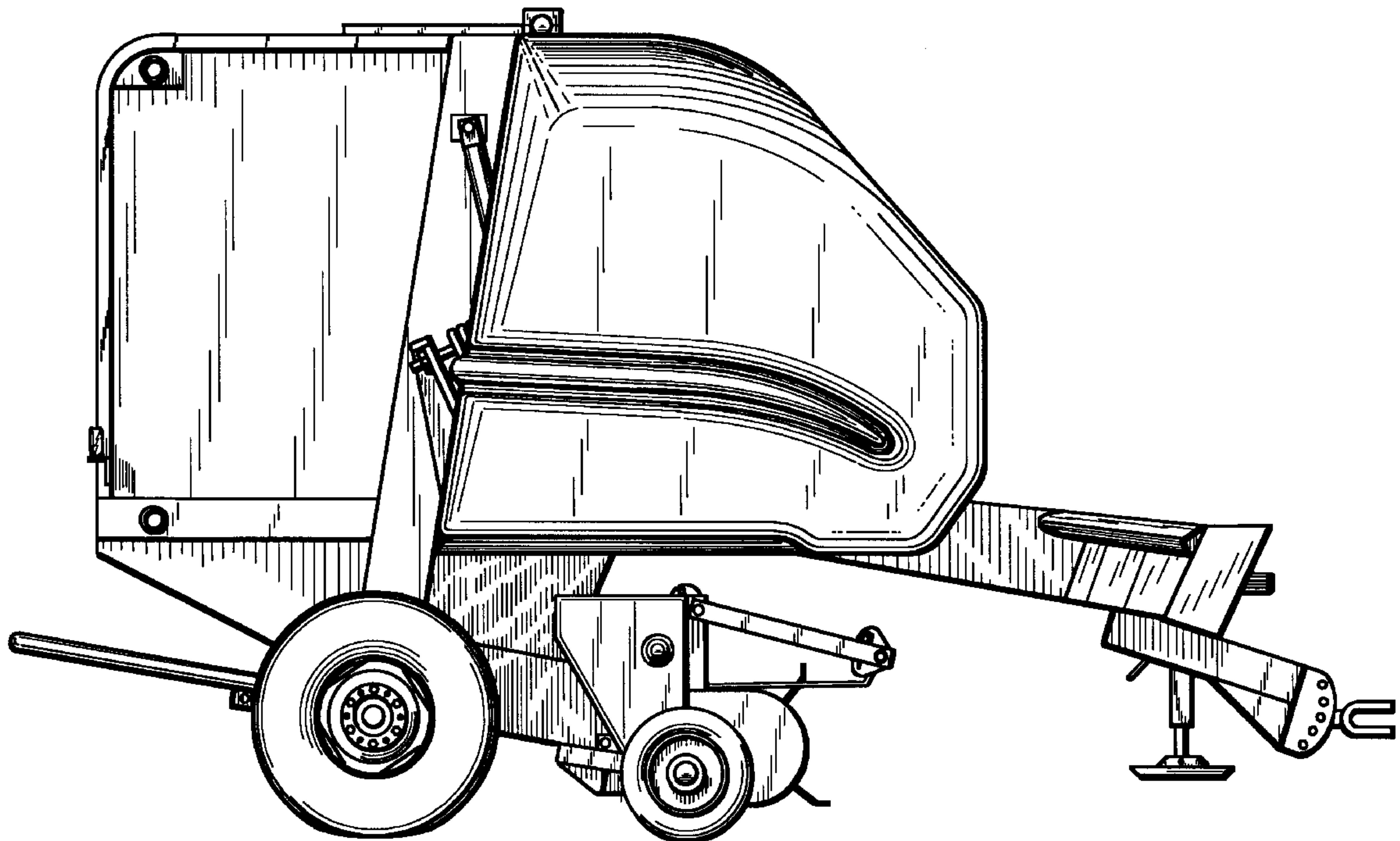
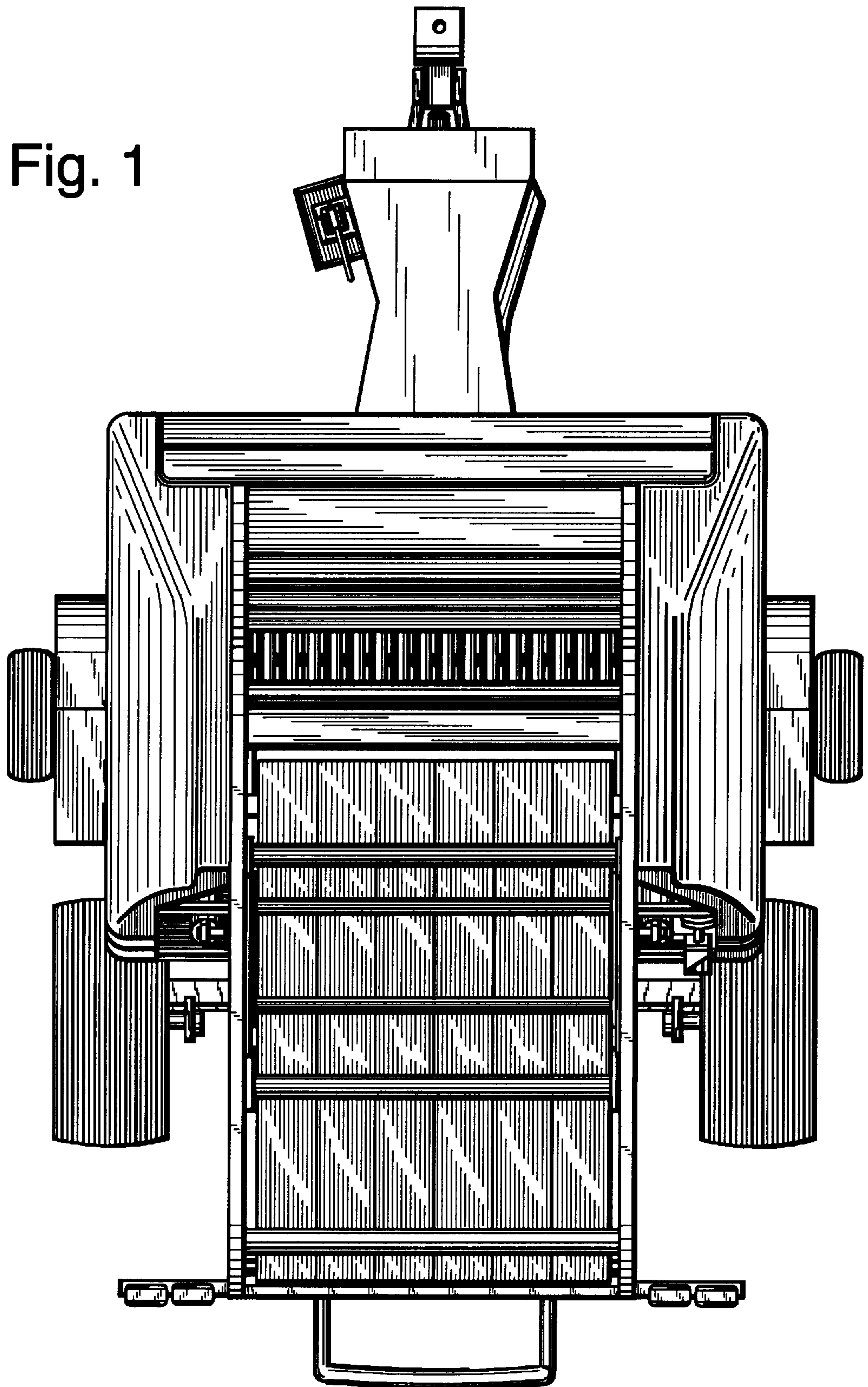


Fig. 1



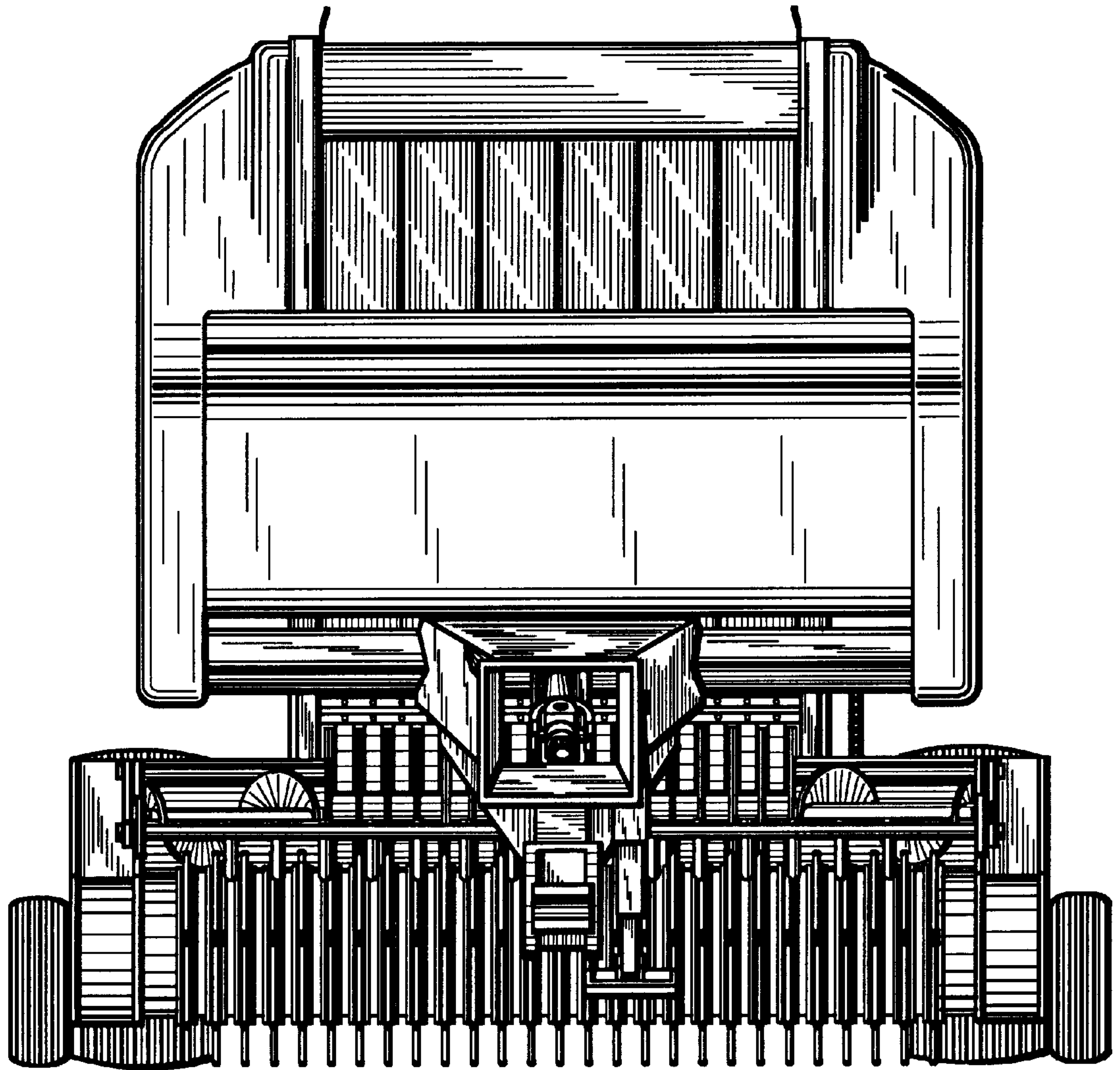


Fig. 2

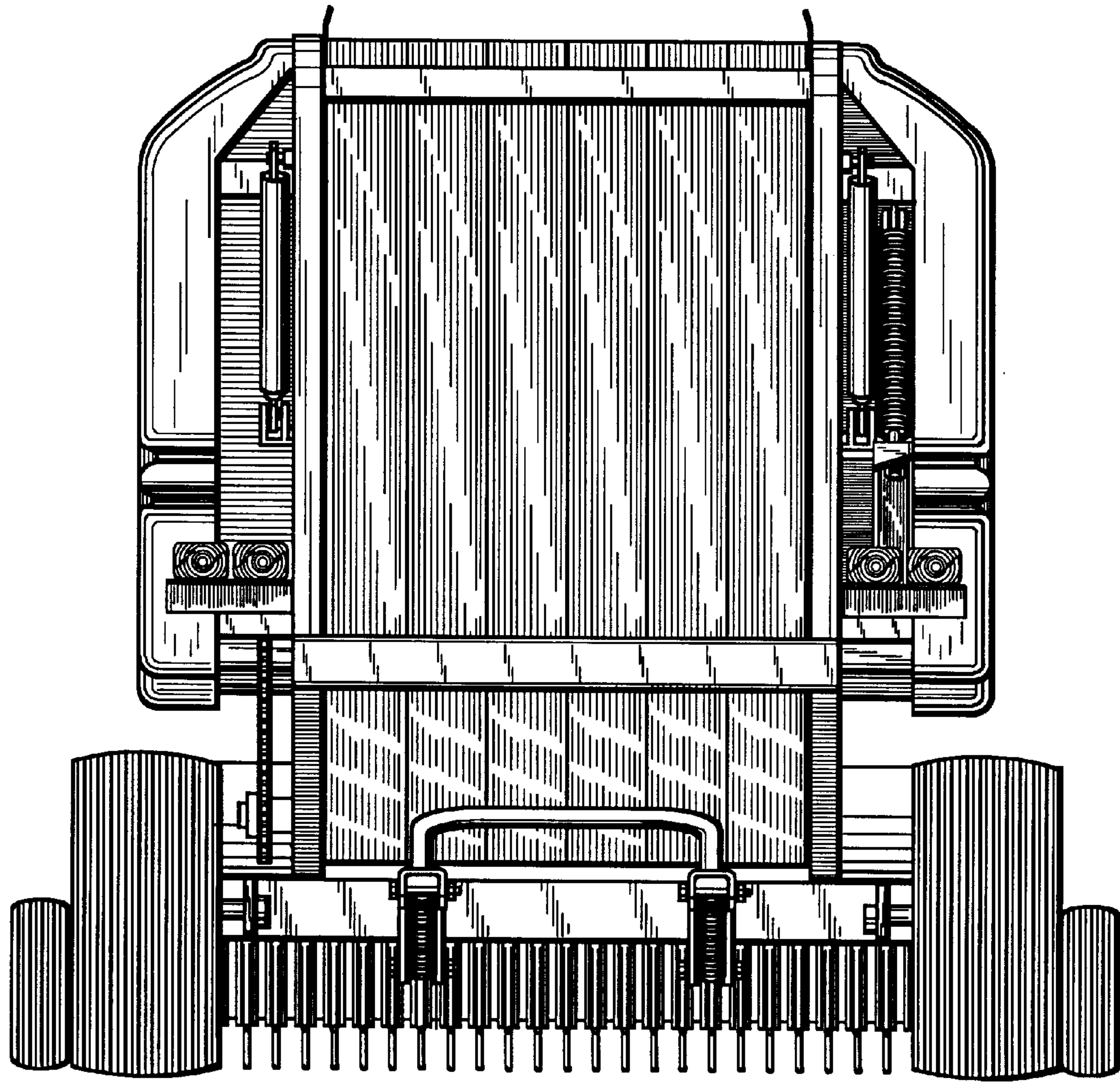
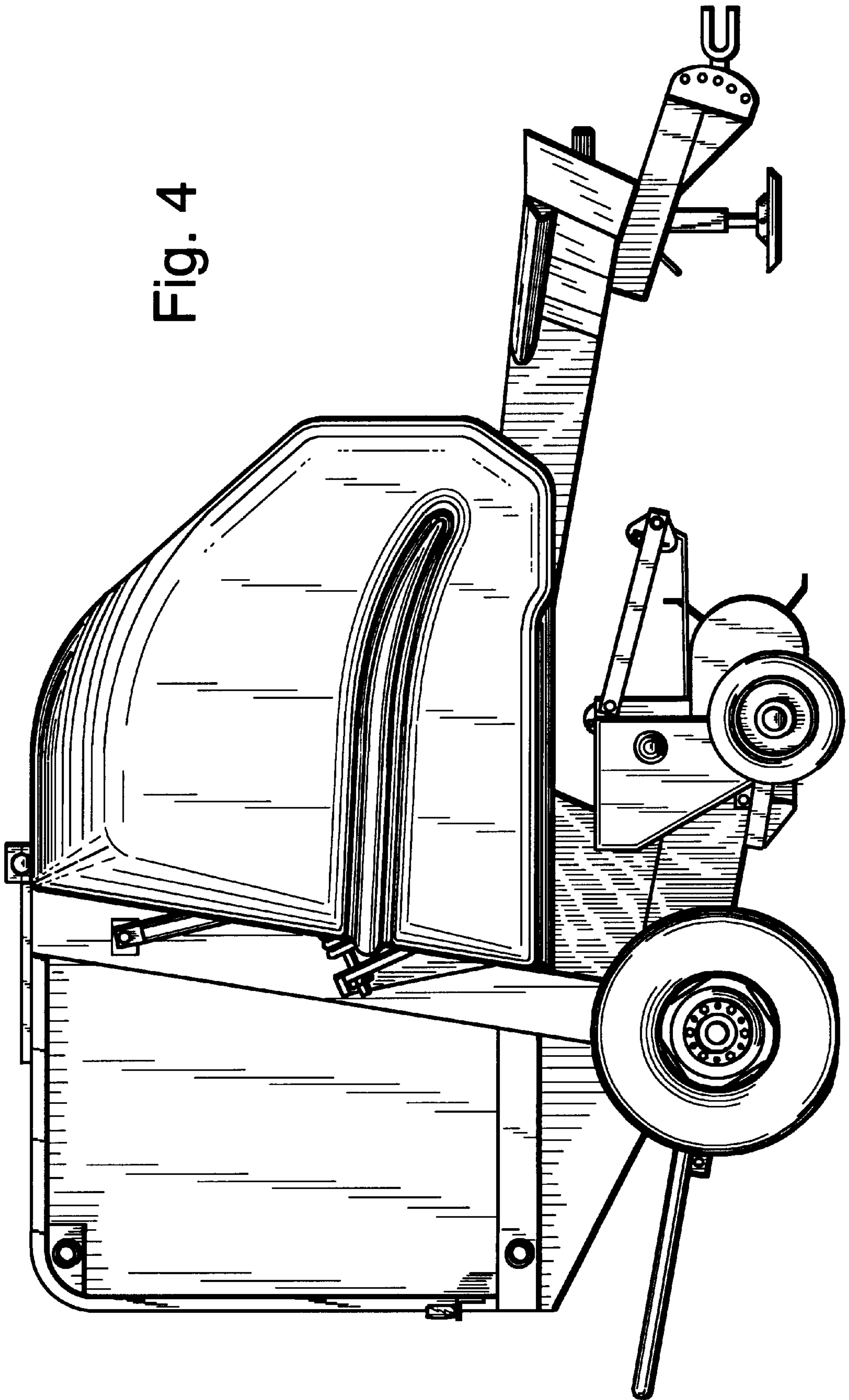


Fig. 3

Fig. 4



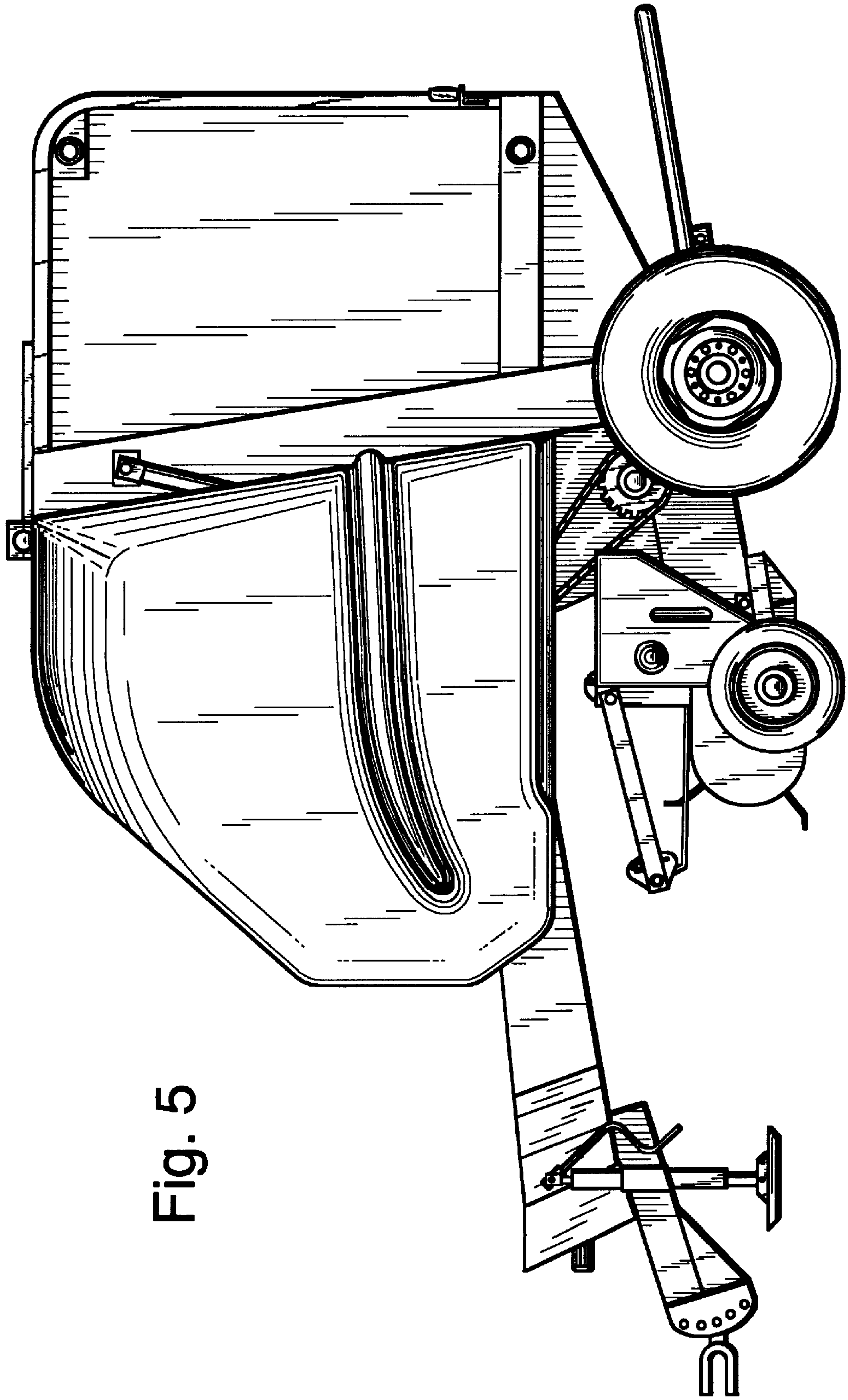


Fig. 5