



US00D412506S

United States Patent [19]

[11] **Patent Number: Des. 412,506**

Boyer et al.

[45] **Date of Patent: ** Aug. 3, 1999**

[54] **WHEEL LOADER EXTERIOR**

[75] Inventors: **Allen F. Boyer**, Cary; **Dana D. Branham**, Raleigh; **R. Mark Ginn**, Cary; **D. Wynne Smith**, Clayton; **David G. Surridge**, Knightdale, all of N.C.

[73] Assignee: **Caterpillar Inc.**, Peoria, Ill.

[**] Term: **14 Years**

[21] Appl. No.: **29/083,304**

[22] Filed: **Jan. 30, 1998**

[51] **LOC (6) Cl. 15-04**

[52] **U.S. Cl. D15/25**

[58] **Field of Search** D15/10, 22-26;
37/341, 403, 442, 443; 180/89.1, 89.12,
89.13; 296/190, 202; 414/685, 694, 722,
724

[56] **References Cited**

U.S. PATENT DOCUMENTS

D. 251,845	5/1979	Joupperi et al.	D15/24
D. 364,408	11/1995	Bryant et al.	D15/25
4,272,222	6/1981	Davis	414/694
4,309,142	1/1982	Shumaker	414/722
4,329,109	5/1982	Den Bleyker	414/685
4,768,917	9/1988	Garman	414/697

5,265,995	11/1993	Beck	414/694
5,400,531	3/1995	Brown	37/468
5,595,471	1/1997	Ajilore	414/685
5,599,158	2/1997	Ajilore	414/685

OTHER PUBLICATIONS

ZL80 Zeppelin Radalader—2 pages.

Primary Examiner—Sandra L. Morris
Attorney, Agent, or Firm—Diana L. Charlton

[57] **CLAIM**

The ornamental design for a wheel loader exterior, as shown and described.

DESCRIPTION

FIG. 1 is a right side elevational view of a wheel loader exterior showing our new design;
FIG. 2 is a left side elevational view thereof;
FIG. 3 is a top plan view thereof;
FIG. 4 is a bottom palm view thereof;
FIG. 5 is a front elevational view thereof;
FIG. 6 is a rear elevational view thereof;
FIG. 7 is a reduced perspective elevational view from the front thereof; and,
FIG. 8 is a perspective elevational view from the rear thereof.

1 Claim, 8 Drawing Sheets

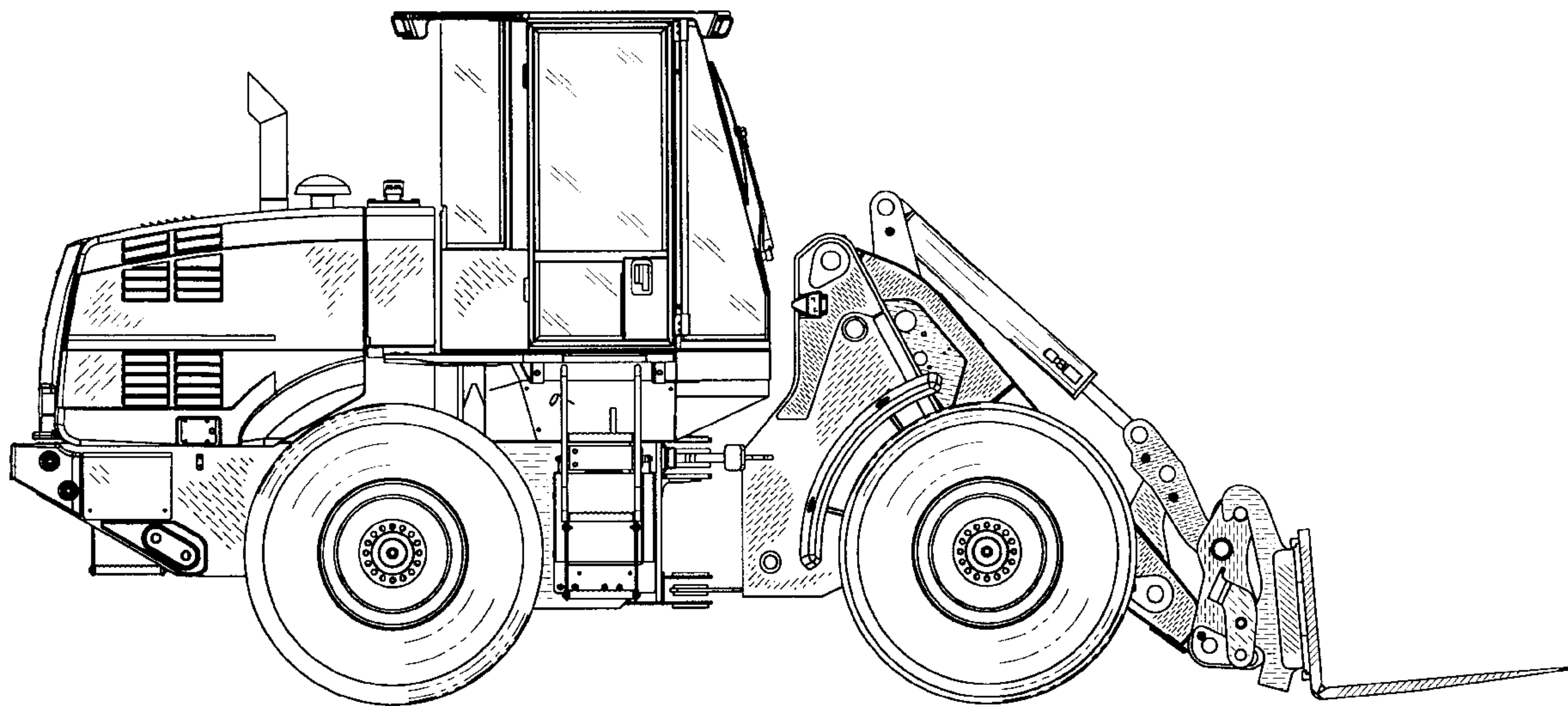
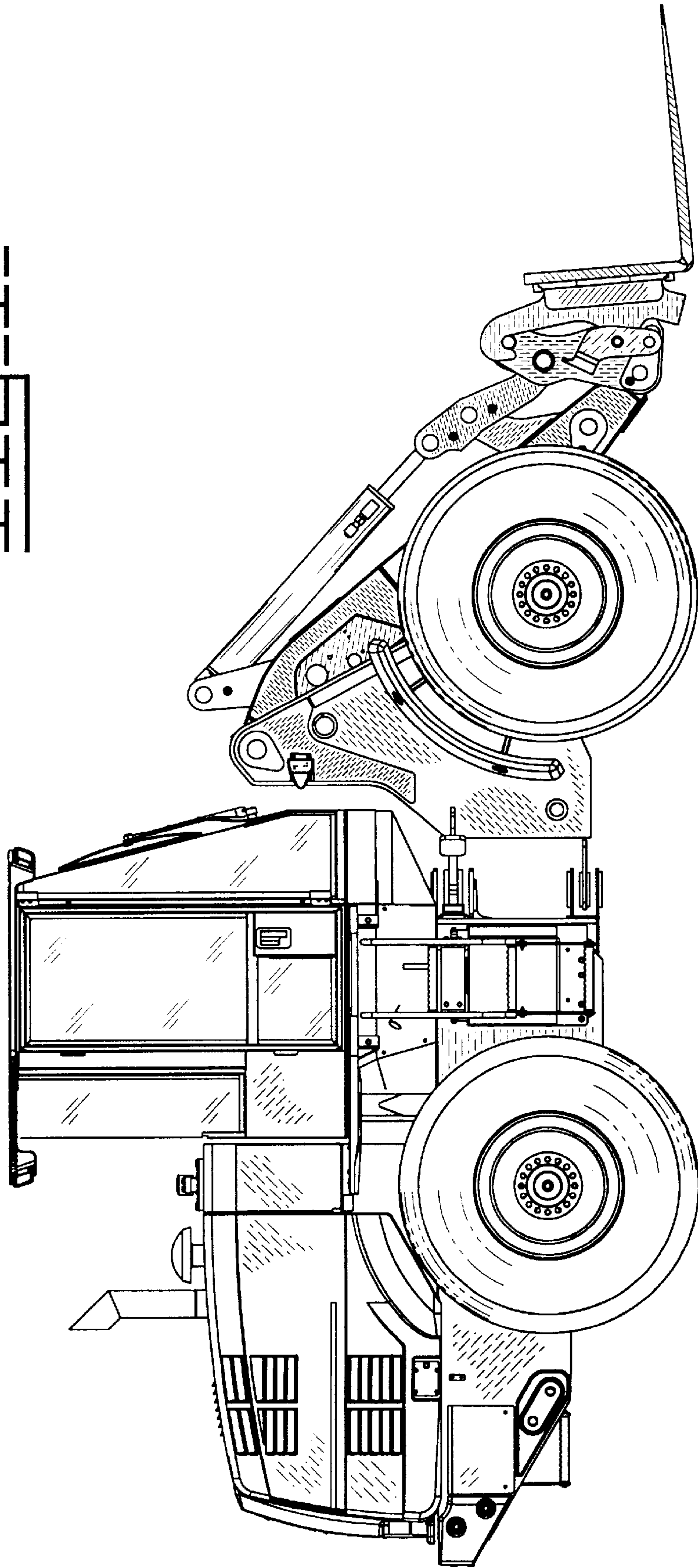


FIG. 1



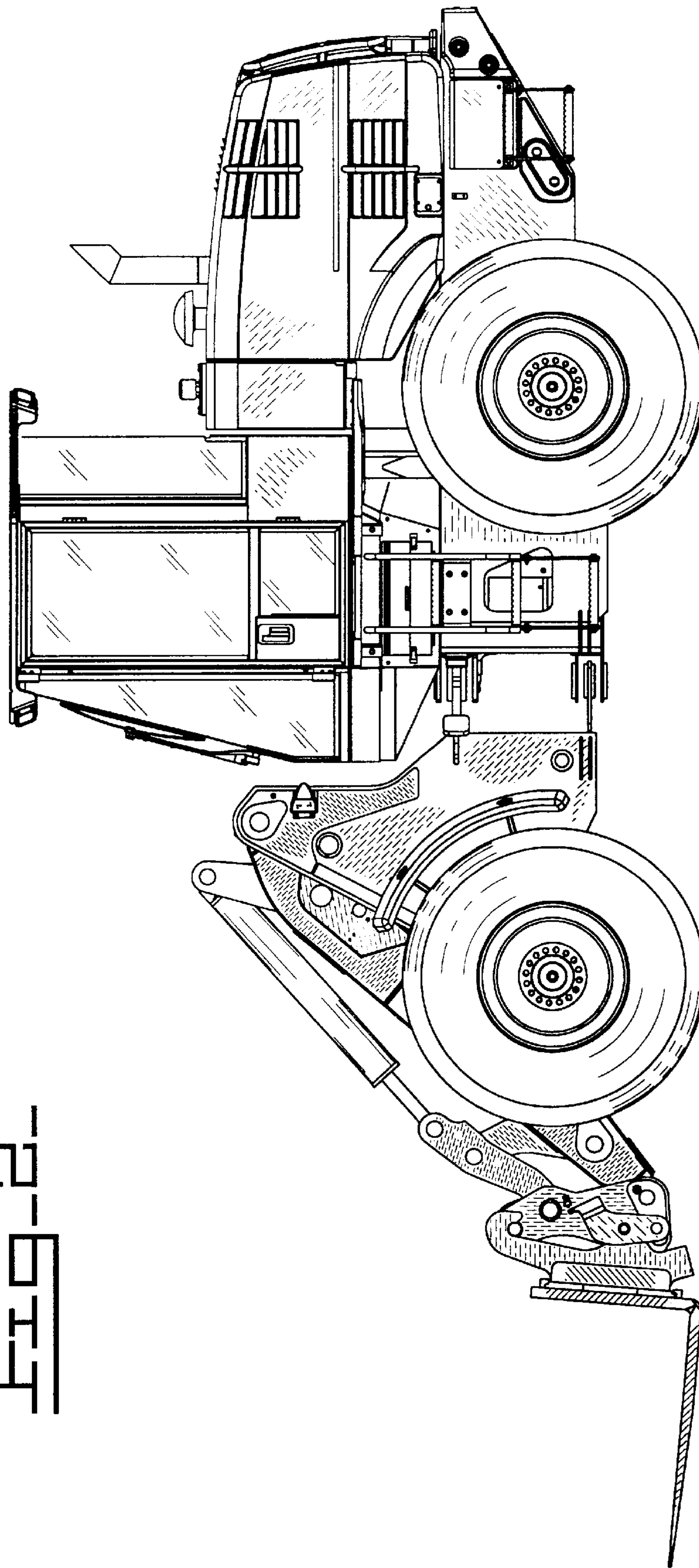


FIG. 2

FIG. 3

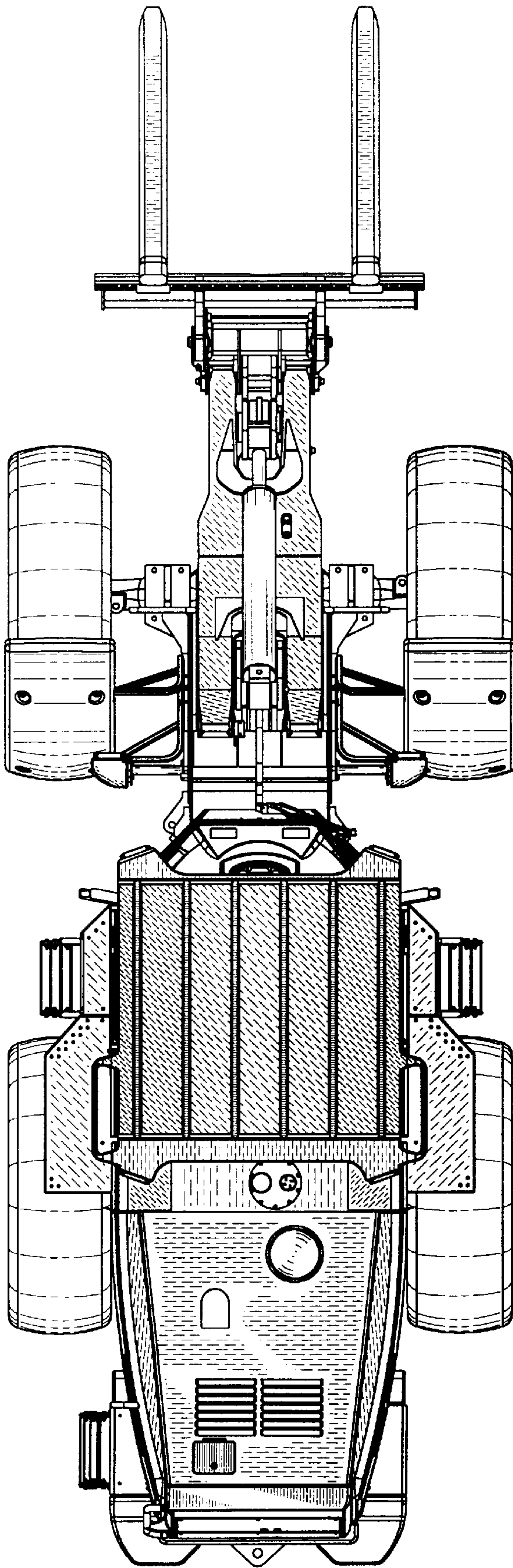


FIG-4-

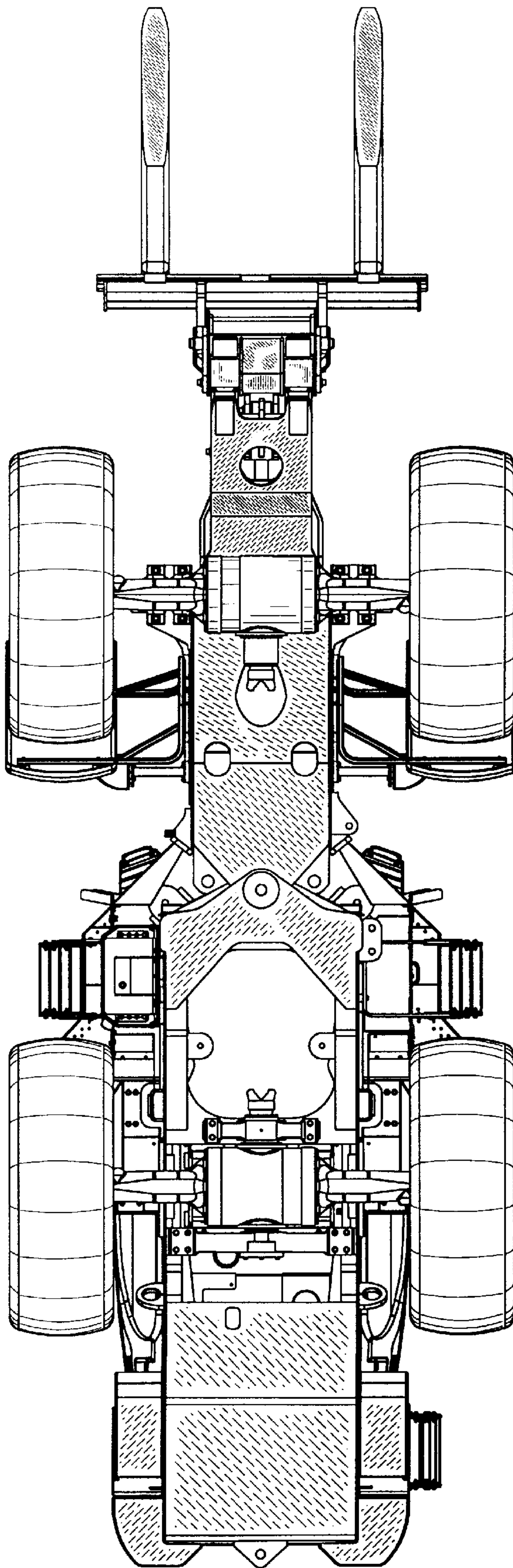


FIG. 5.

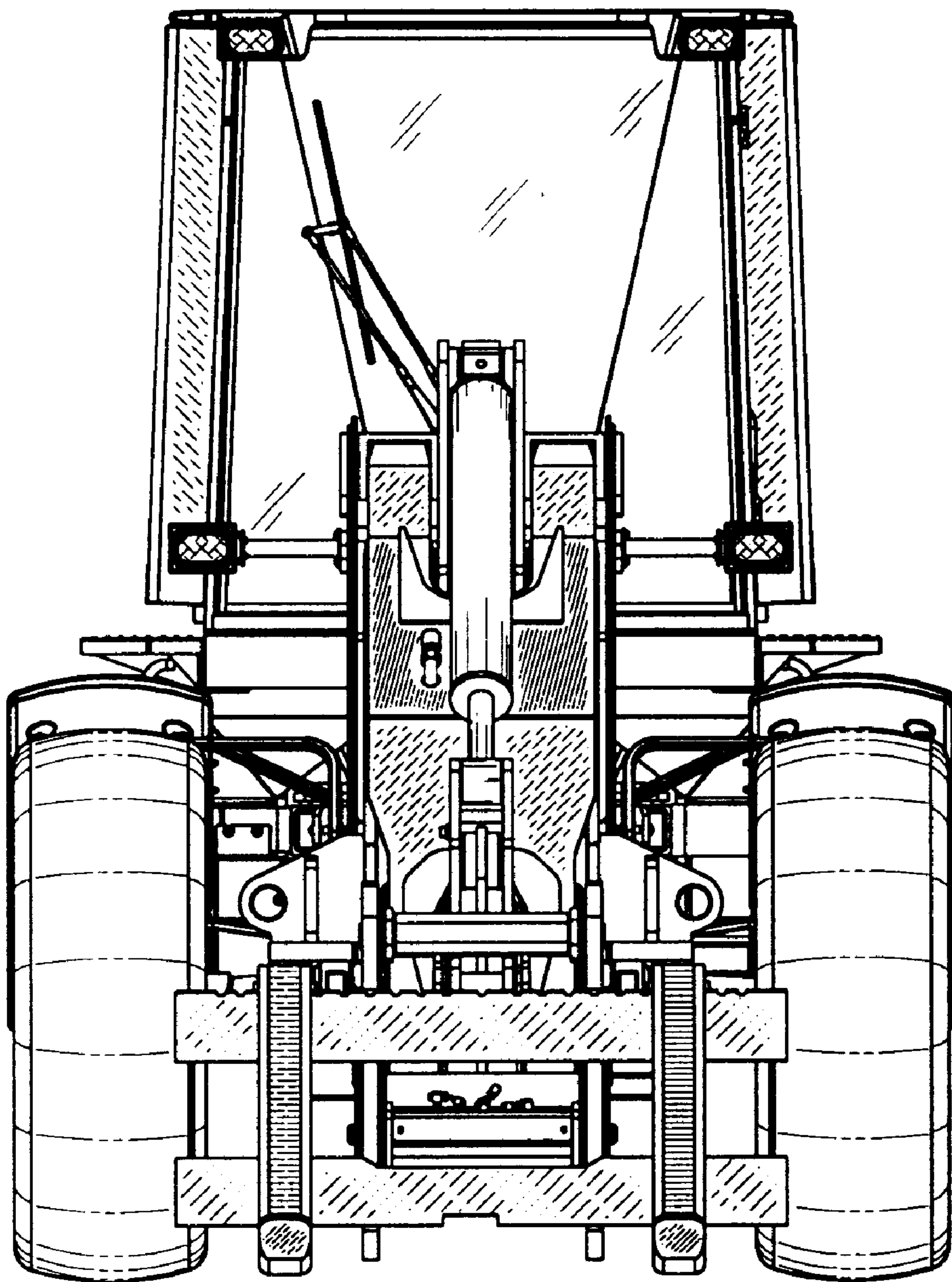


FIG. 6

