



US00D412496S

United States Patent [19] Khovaylo et al.

[11] **Patent Number: Des. 412,496**

[45] **Date of Patent: ** Aug. 3, 1999**

[54] **NOTEBOOK SCANNER**

[75] Inventors: **Modest Khovaylo; James C. Dow**,
both of Fort Collins, Colo.

[73] Assignee: **Hewlett-Packard Company**, Palo Alto,
Calif.

[**] Term: **14 Years**

[21] Appl. No.: **29/093,207**

[22] Filed: **Sep. 3, 1998**

[51] **LOC (6) Cl.** **14-02**

[52] **U.S. Cl.** **D14/107; D14/106**

[58] **Field of Search** D14/100, 105,
D14/107, 106, 113, 115; D18/36, 37, 39;
D19/35, 52; 250/208.1, 226, 234; 364/708.1;
206/574; 402/4

5,038,028 8/1991 Boyd et al. 250/208.1
5,227,620 7/1993 Elder, Jr. et al. 250/208
5,798,522 8/1998 Lin 250/234

OTHER PUBLICATIONS

U.S. Patent application Ser. No. 09/082,847 filed May 21, 1998 for Notebook Styled Scanner of Michael A. Puyot et al.; HP Docket No. 10980229-1/HP-335.

Primary Examiner—Freda Nunn

[57] CLAIM

The ornamental design for a notebook scanner, as shown and described.

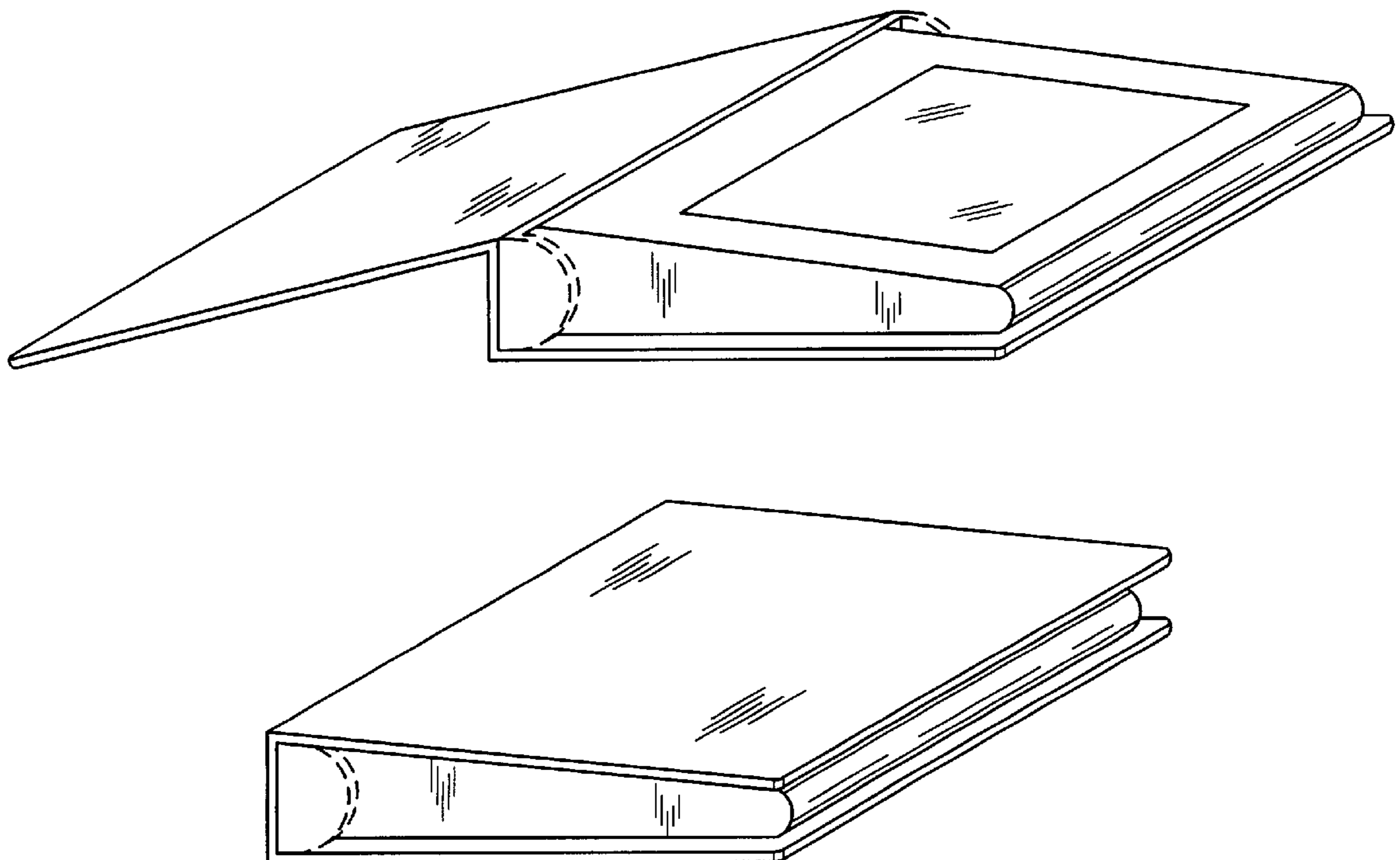
DESCRIPTION

FIG. 1 is a perspective view of a notebook scanner in an open position;
FIG. 2 is a perspective view thereof in a closed position;
FIG. 3 is a top plan view thereof in a closed position of which the bottom plan view is a mirror image;
FIG. 4 is a left side elevation view thereof in a closed position of which the right side elevation view is a mirror image;
FIG. 5 is a front elevation view thereof in a closed position; and,
FIG. 6 is a rear elevation view thereof in a closed position. The broken lines are shown in the views for illustrative purposes only and form no part of the claimed design.

[56] References Cited U.S. PATENT DOCUMENTS

D. 321,865	11/1991	Derocher	D14/100
D. 338,455	8/1993	Suge	D14/106
D. 354,478	1/1995	Miyahara	D14/100
3,351,064	11/1967	Cohn	402/4
4,264,011	4/1981	Dalbo et al.	206/574
4,709,144	11/1987	Vincent	250/226
4,870,268	9/1989	Vincent et al.	250/226
4,918,632	4/1990	York	364/708
4,926,041	5/1990	Boyd	250/226

1 Claim, 3 Drawing Sheets



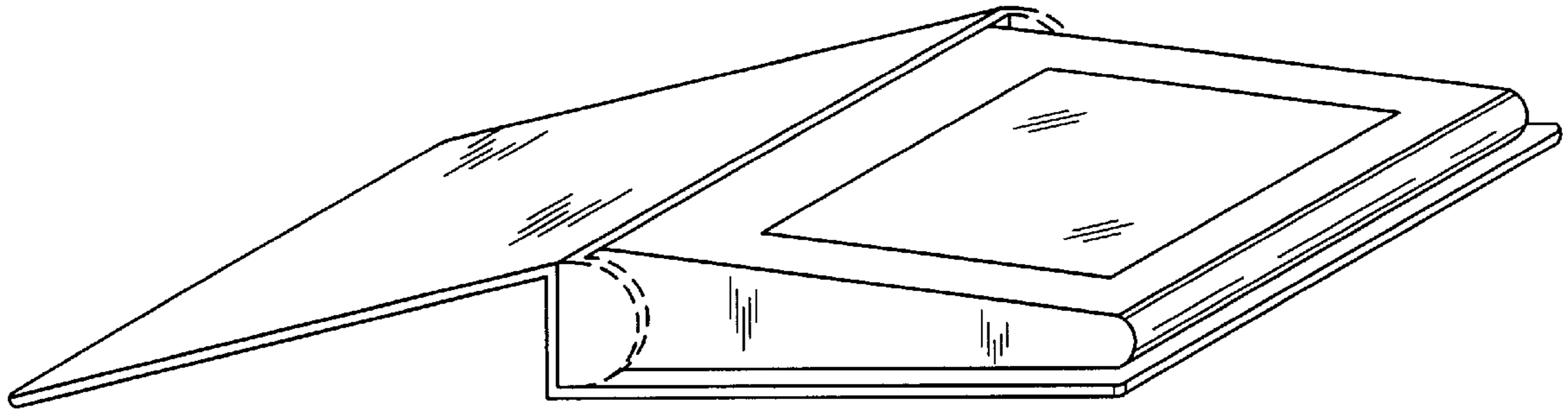


FIG. 1

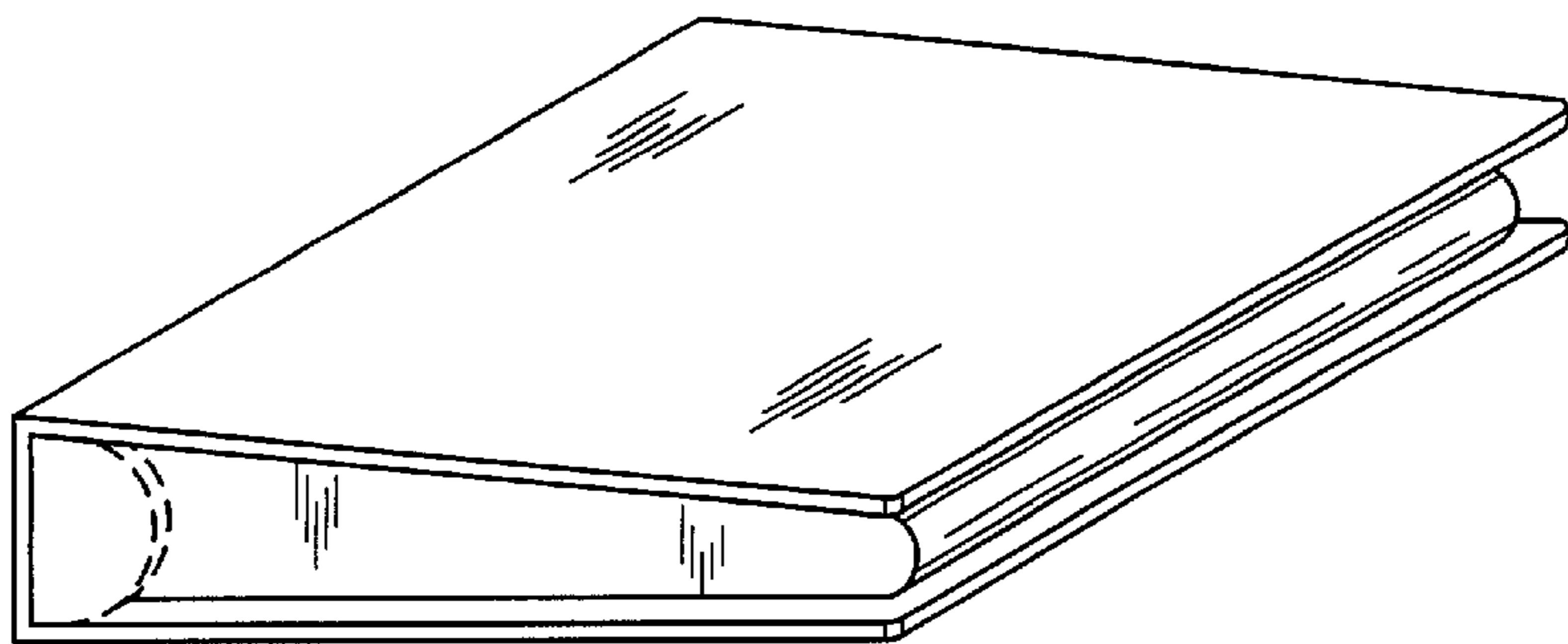


FIG. 2

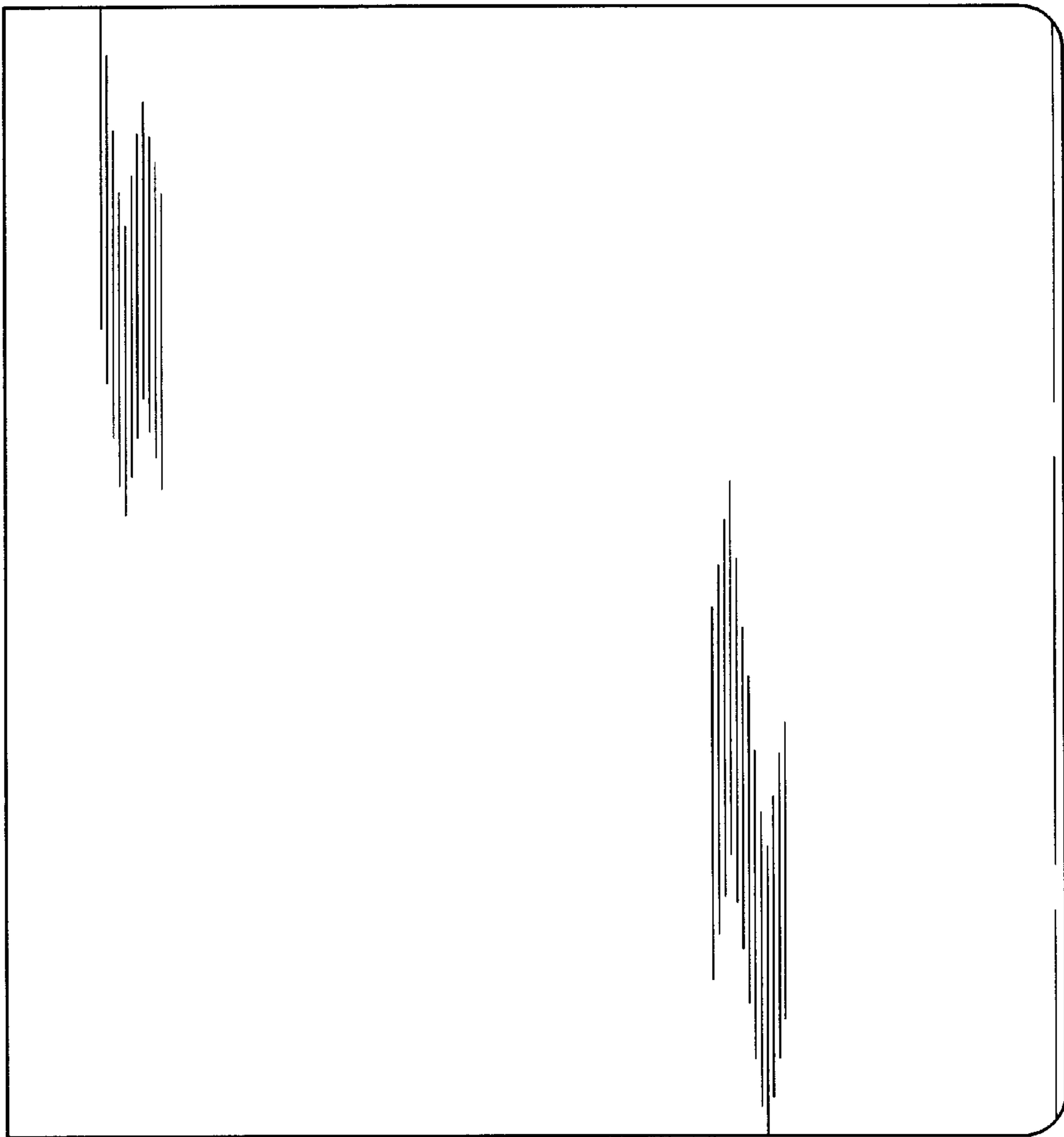


FIG. 3

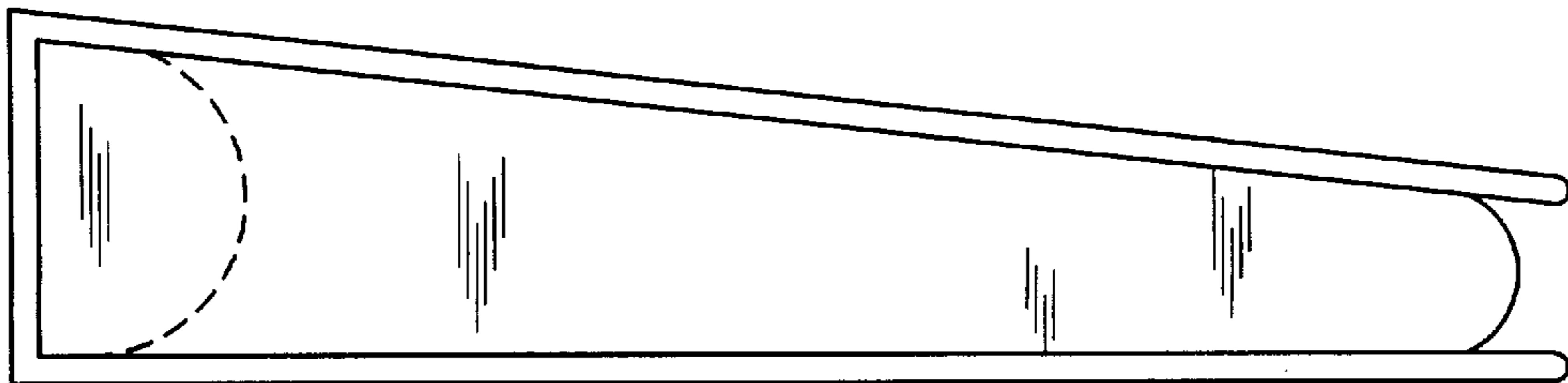


FIG. 4

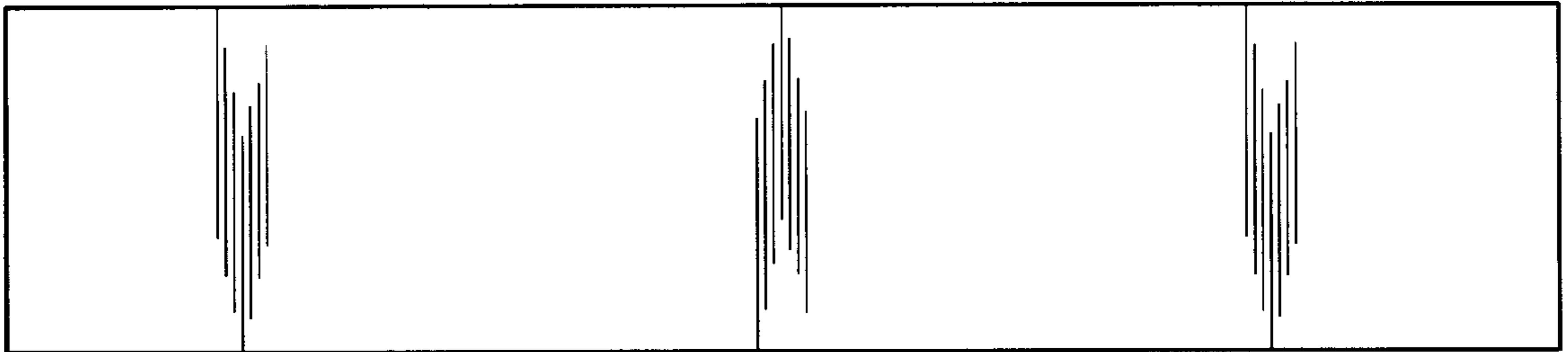


FIG. 5

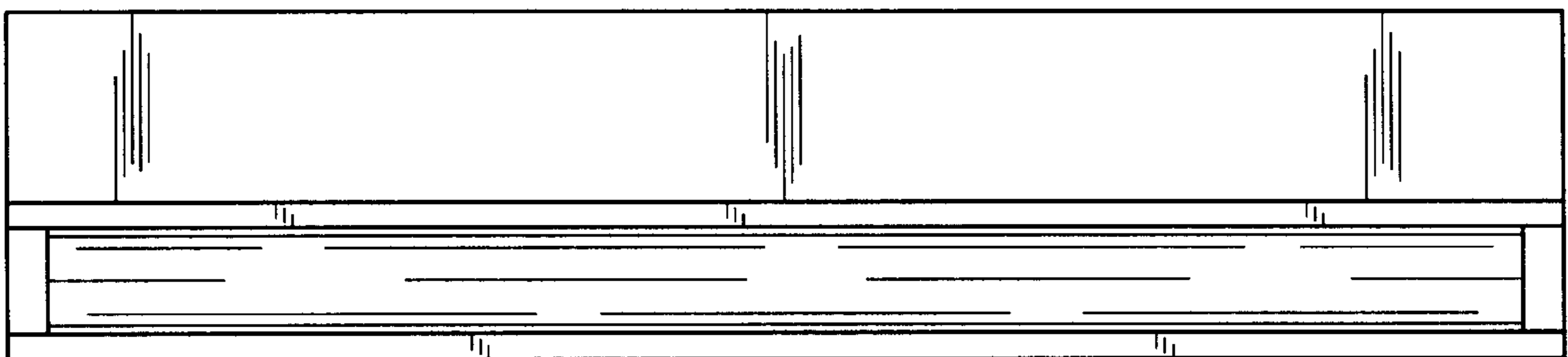


FIG. 6