



US00D412494S

United States Patent [19]

[11] **Patent Number: Des. 412,494**

Tamaki et al.

[45] **Date of Patent: ** Aug. 3, 1999**

[54] **ELECTRONIC COMPUTER WITH DOCKING STATION**

*Primary Examiner—Freda Nunn
Attorney, Agent, or Firm—Nixon & Vanderhye*

[75] Inventors: **Hidetoshi Tamaki; Tamiko Kuwahara,**
both of Nara-ken, Japan

[57] **CLAIM**

The ornamental design for an electronic computer with docking station, as shown and described.

[73] Assignee: **Sharp Kabushiki Kaisha,** Osaka, Japan

[**] Term: **14 Years**

DESCRIPTION

[21] Appl. No.: **29/089,903**

FIG. 1 is a top, front and right side perspective view of an electronic computer with docking station according to our design;

[22] Filed: **Jun. 25, 1998**

FIG. 2 is a top plan view thereof;

[30] **Foreign Application Priority Data**

FIG. 3 is a bottom plan view thereof;

Dec. 26, 1997 [JP] Japan 9-80135

FIG. 4 is a front elevational view thereof;

[51] **LOC (6) Cl.** **14-02**

FIG. 5 is a rear elevational view thereof;

[52] **U.S. Cl.** **D14/100; D14/107**

FIG. 6 is a right side elevational view thereof;

[58] **Field of Search** D14/100, 106,
D14/107, 114, 115; D19/35, 52, 26; 345/104,
156, 173; 364/708.1; 434/307-309; 349/12

FIG. 7 is a left side elevational view thereof;

[56] **References Cited**

FIG. 8 is a top, front and right side elevational view thereof in a closed position;

U.S. PATENT DOCUMENTS

- D. 356,782 3/1995 Leman D14/107
- D. 366,463 1/1996 Ive et al. D14/100
- D. 376,351 12/1996 Matsumoto D14/100

FIG. 9 is a top plan view thereof;

FIG. 10 is a bottom plan view thereof;

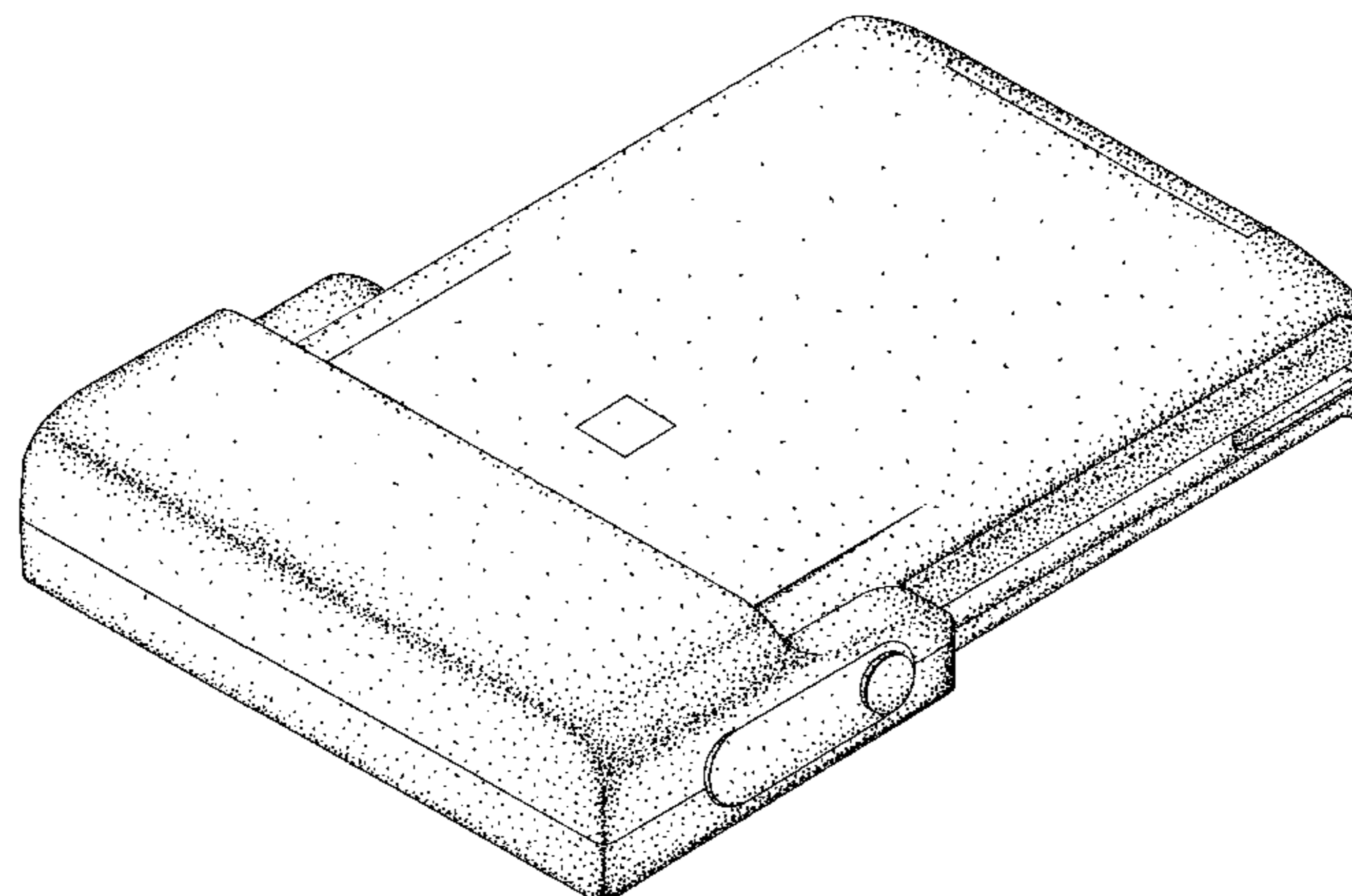
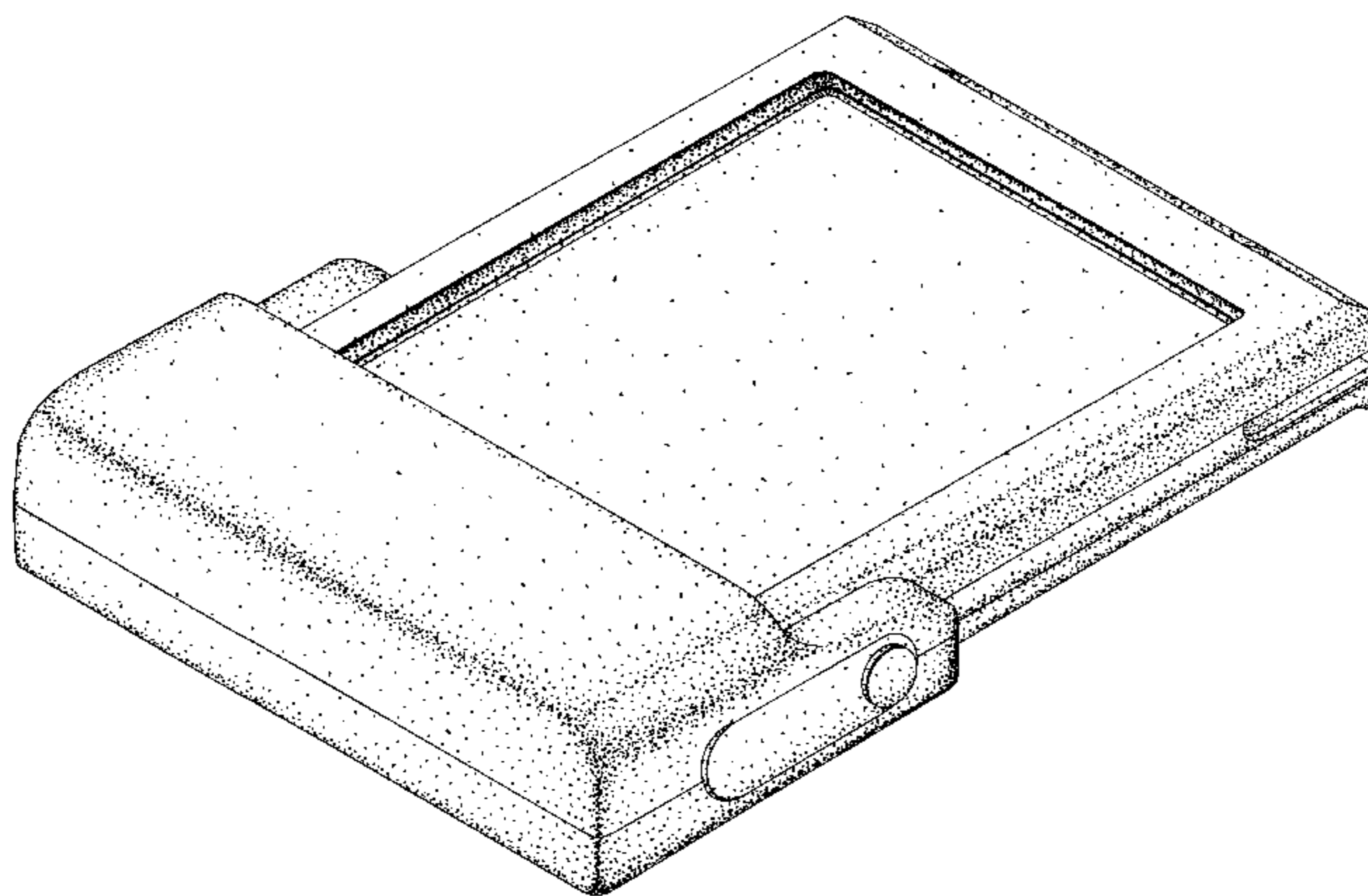
FIG. 11 is a front elevational view thereof;

FIG. 12 is a rear elevational view thereof;

FIG. 13 is a right side elevational view thereof; and,

FIG. 14 is a left side elevational view thereof.

1 Claim, 8 Drawing Sheets



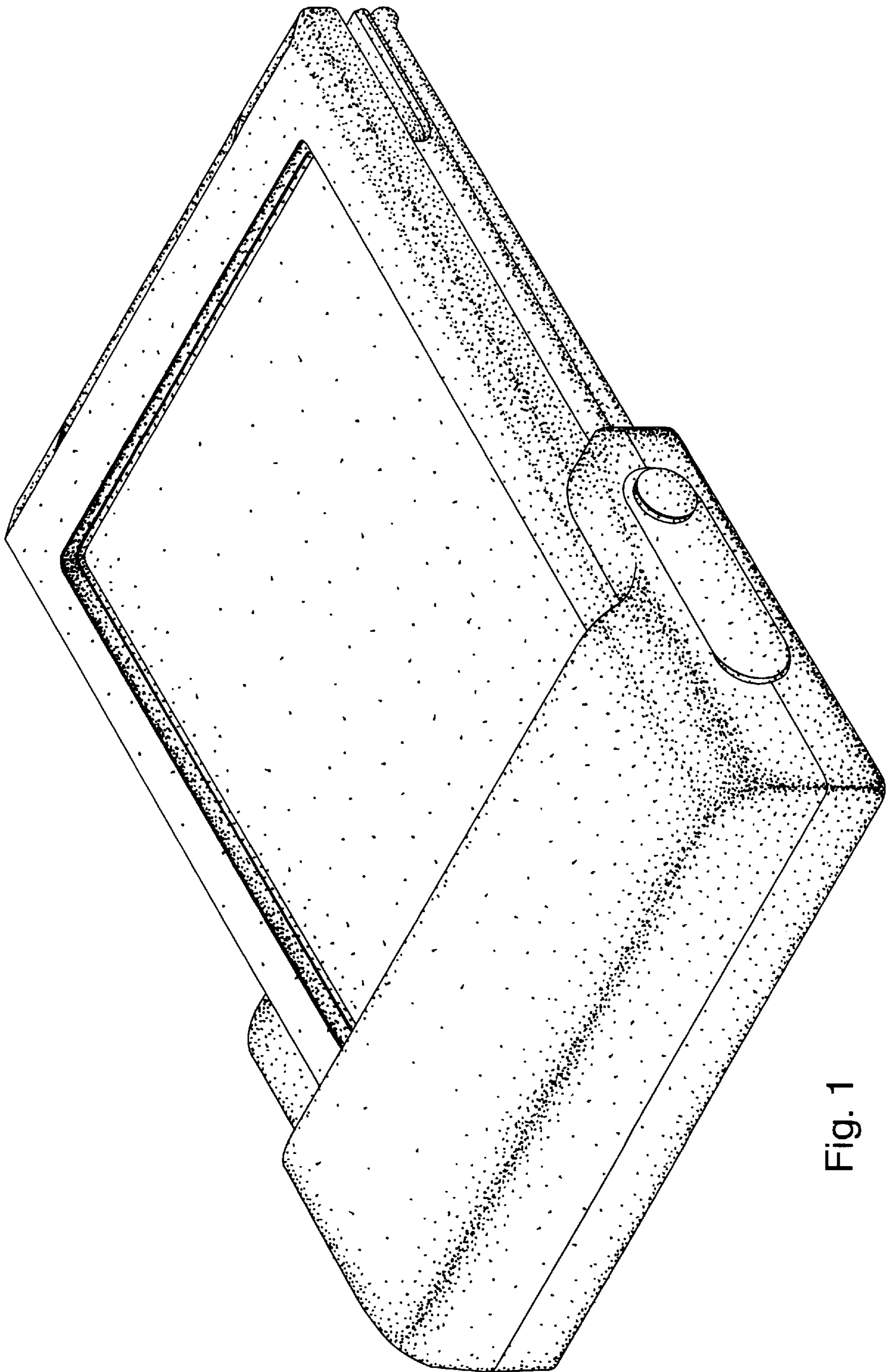


Fig. 1

Fig. 2

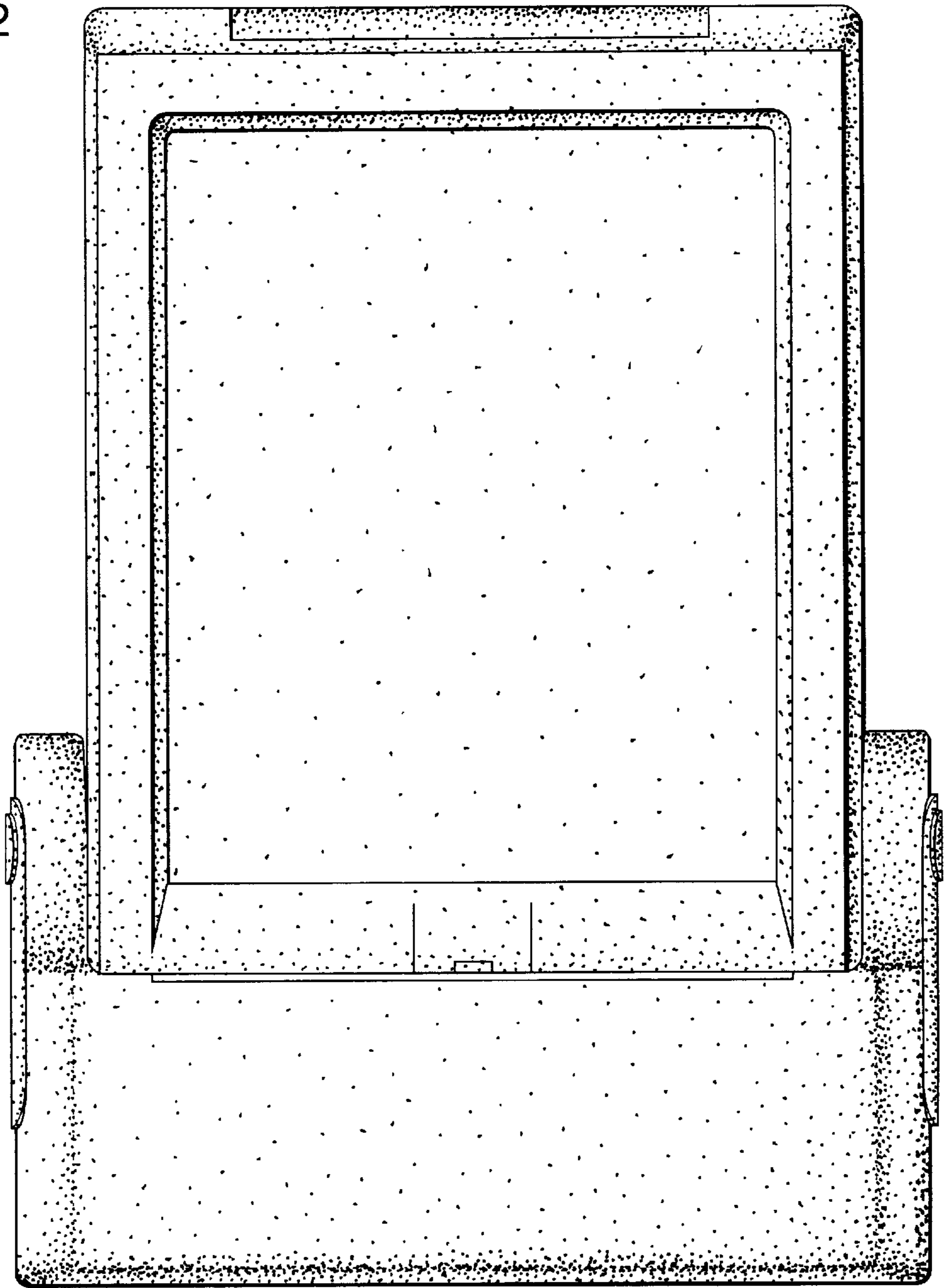


Fig. 4

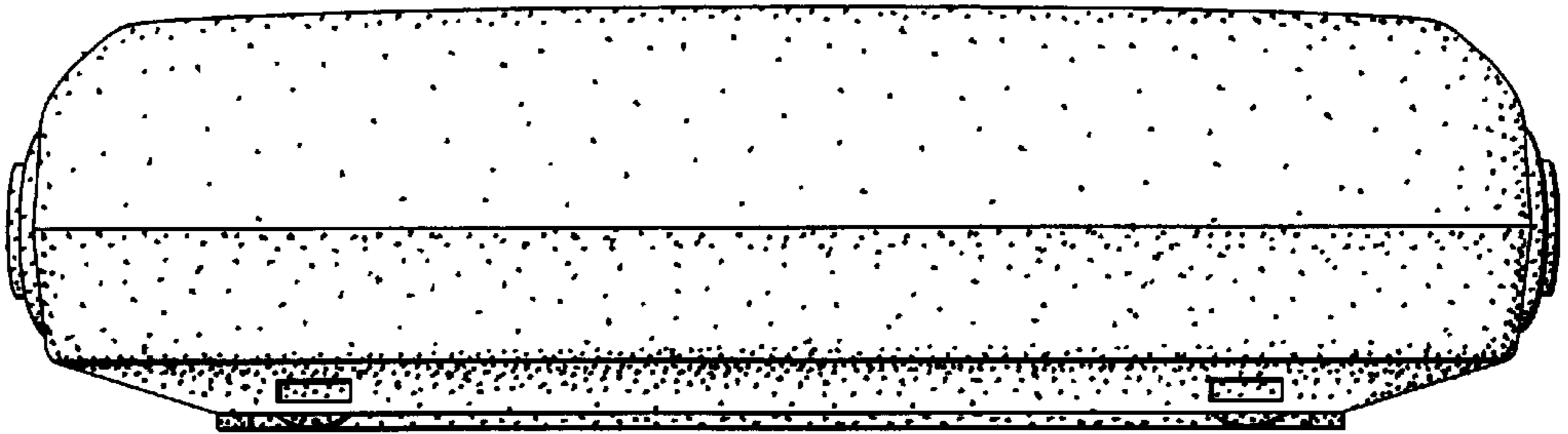


Fig. 5

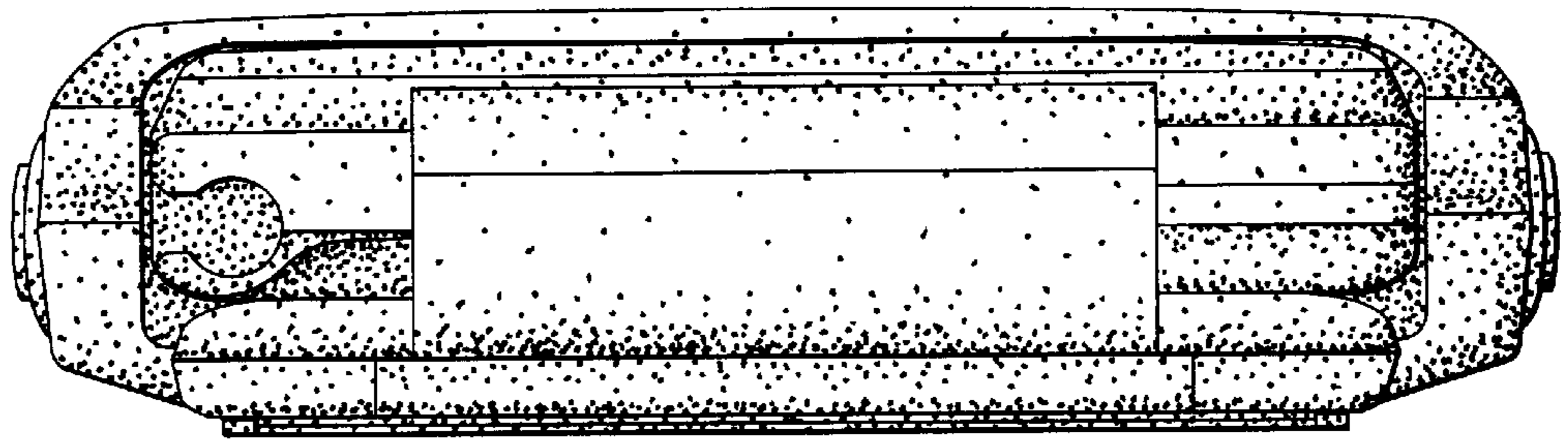
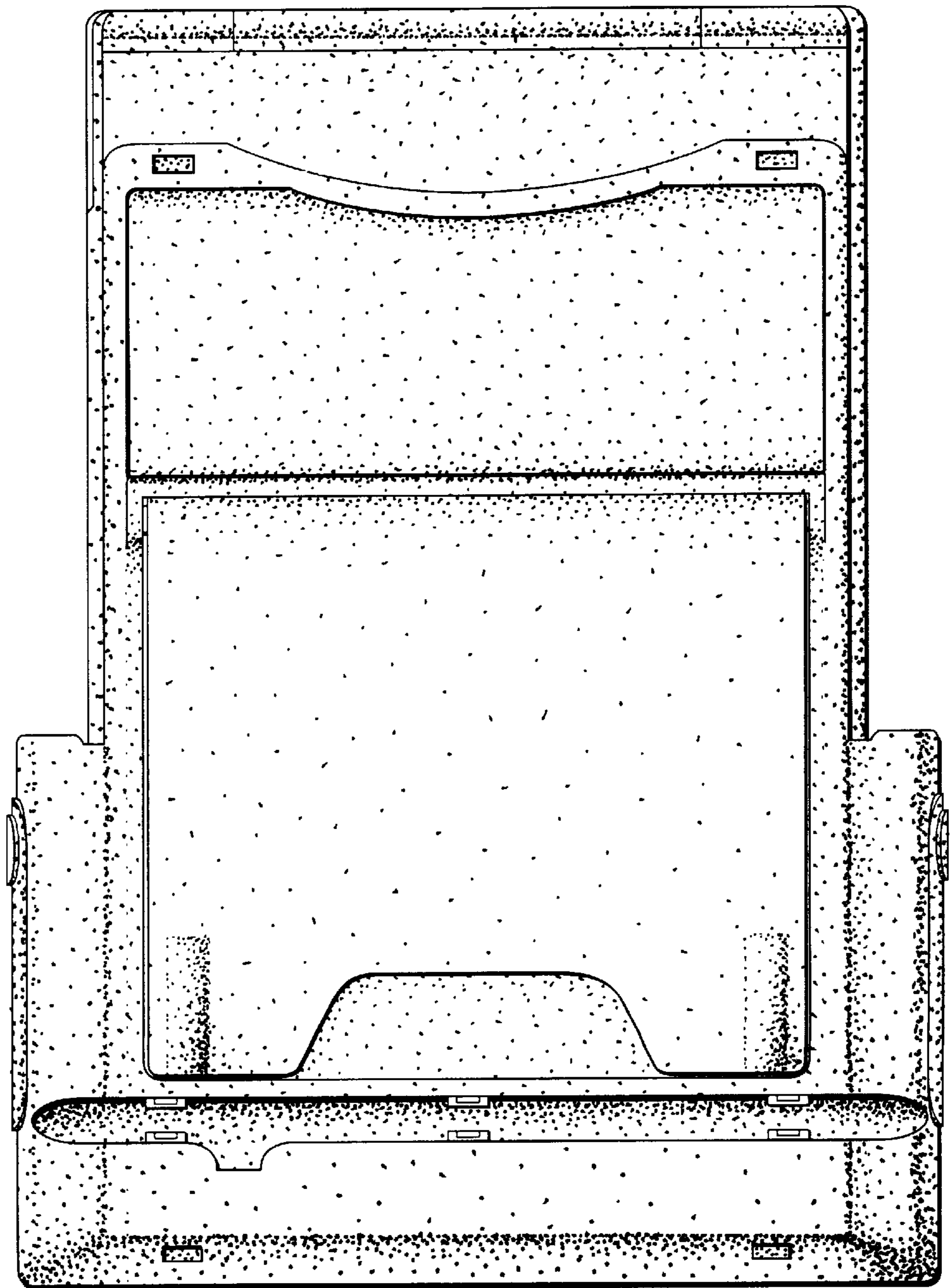


Fig.3



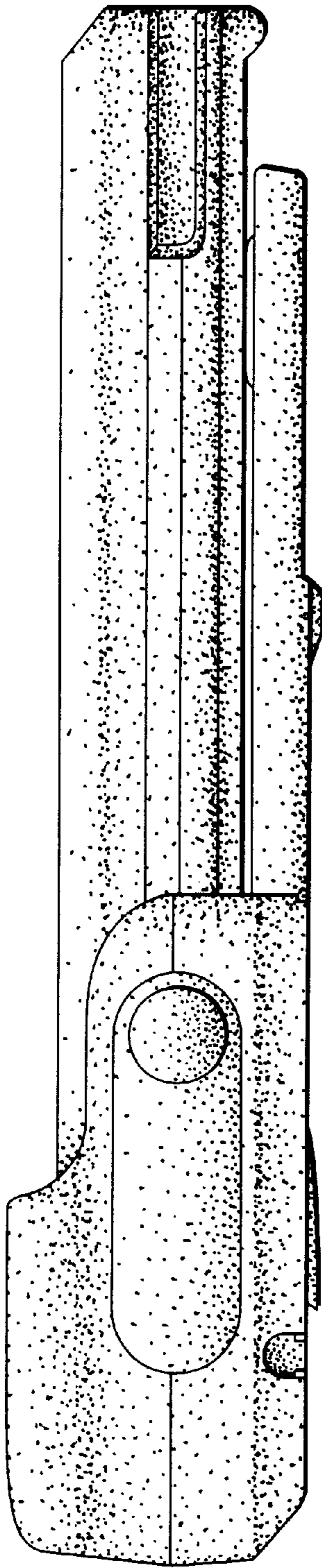


Fig. 6

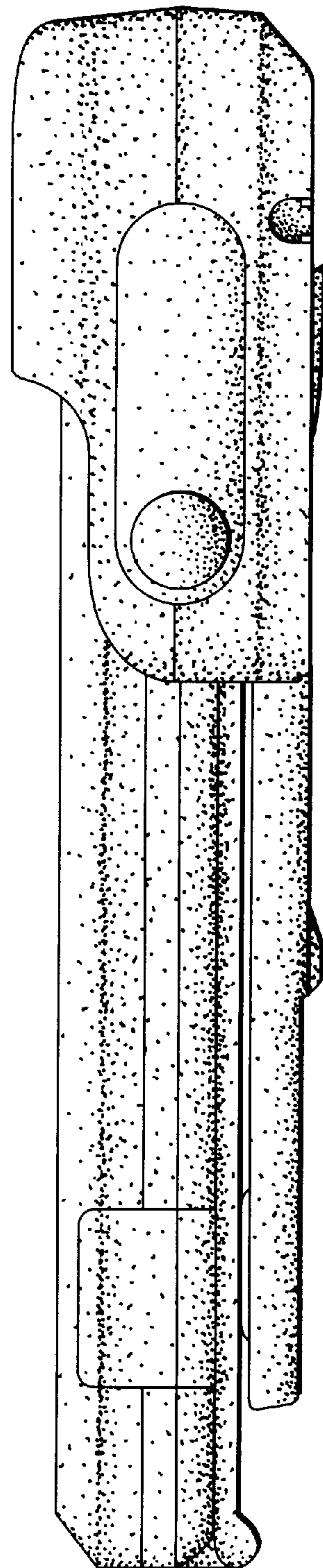


Fig. 7

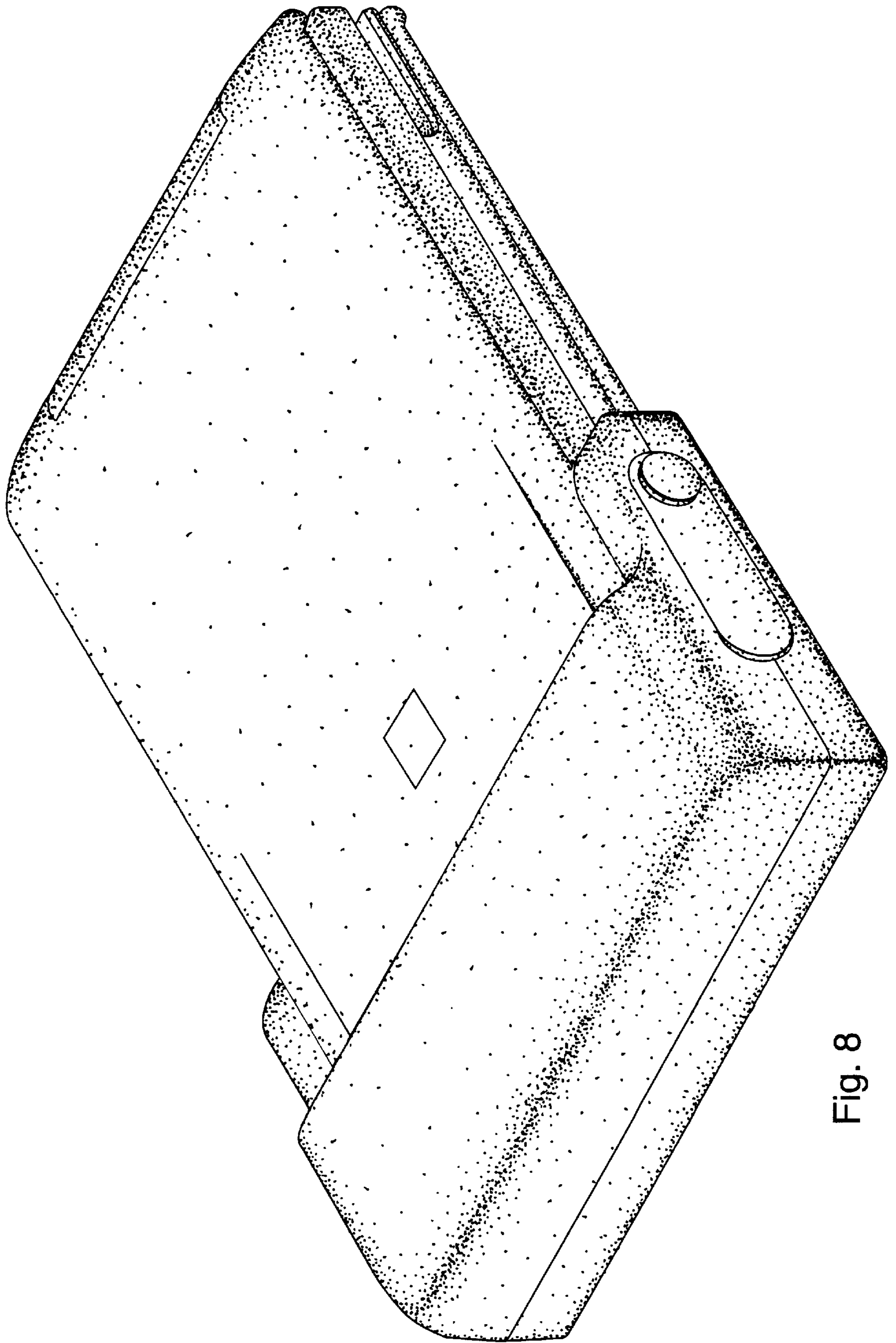


Fig. 8

Fig. 9

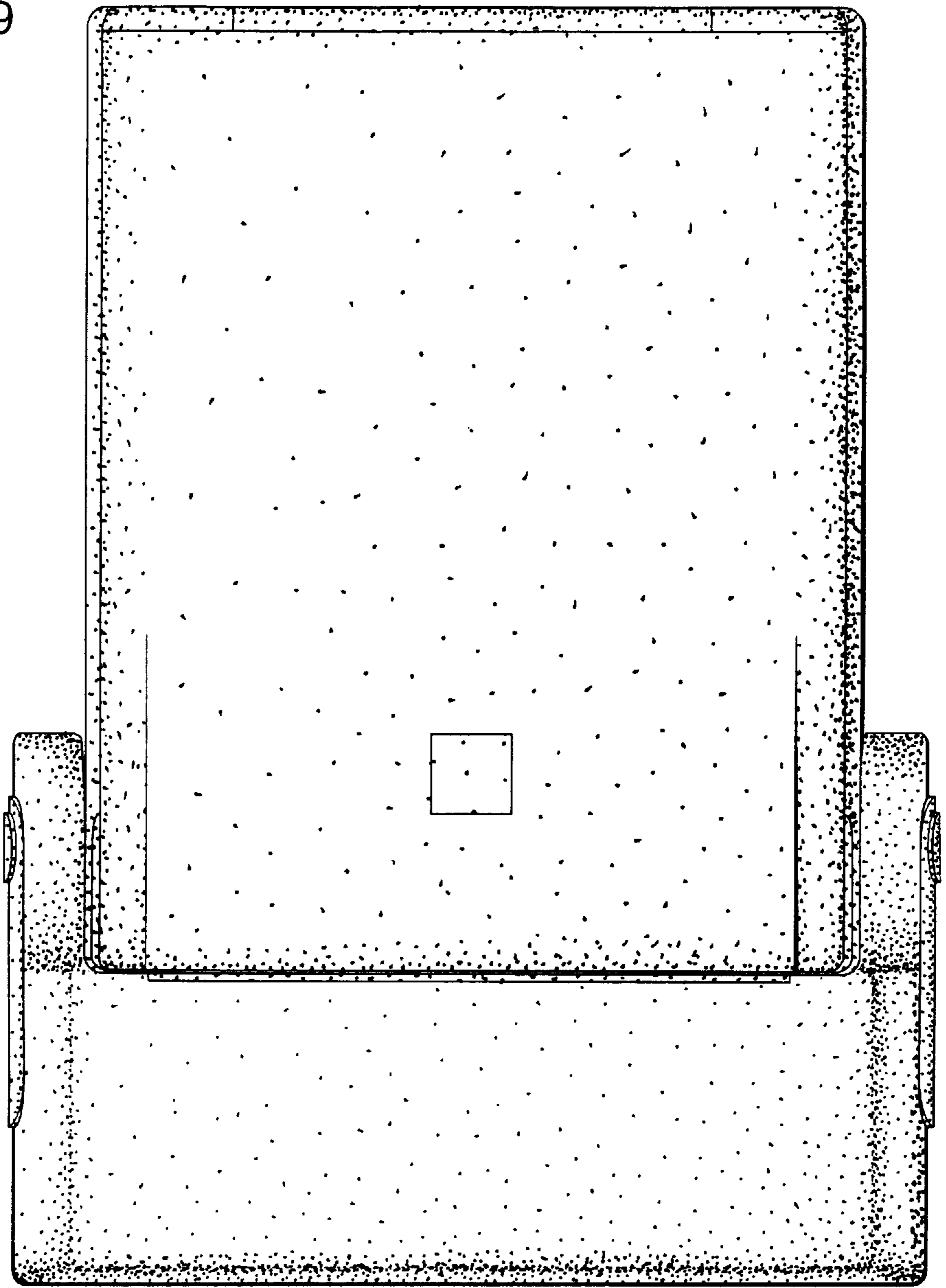


Fig. 11

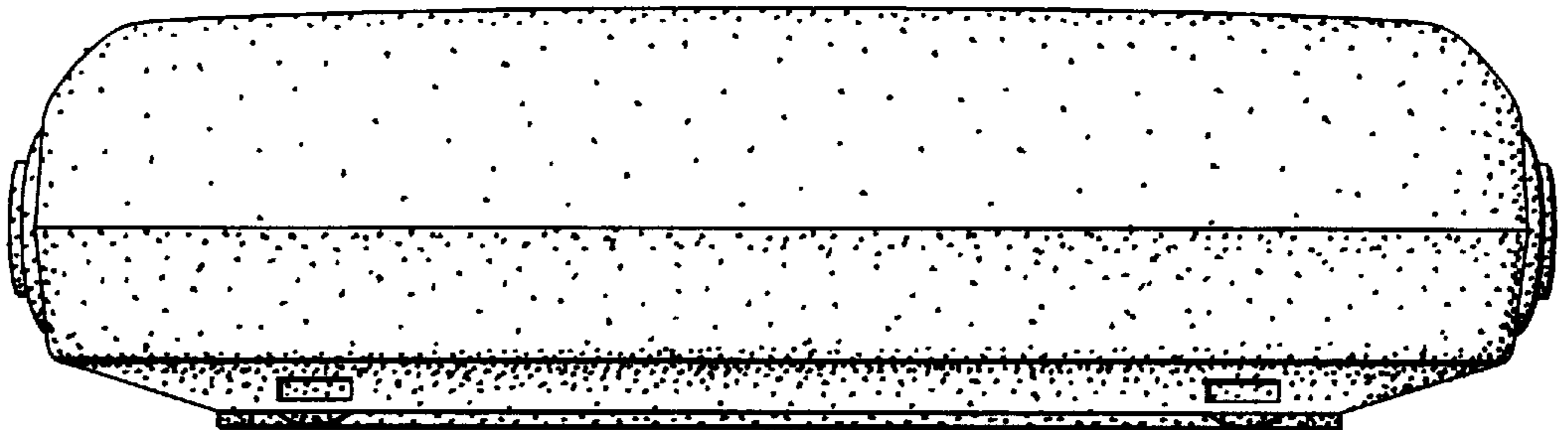


Fig. 12

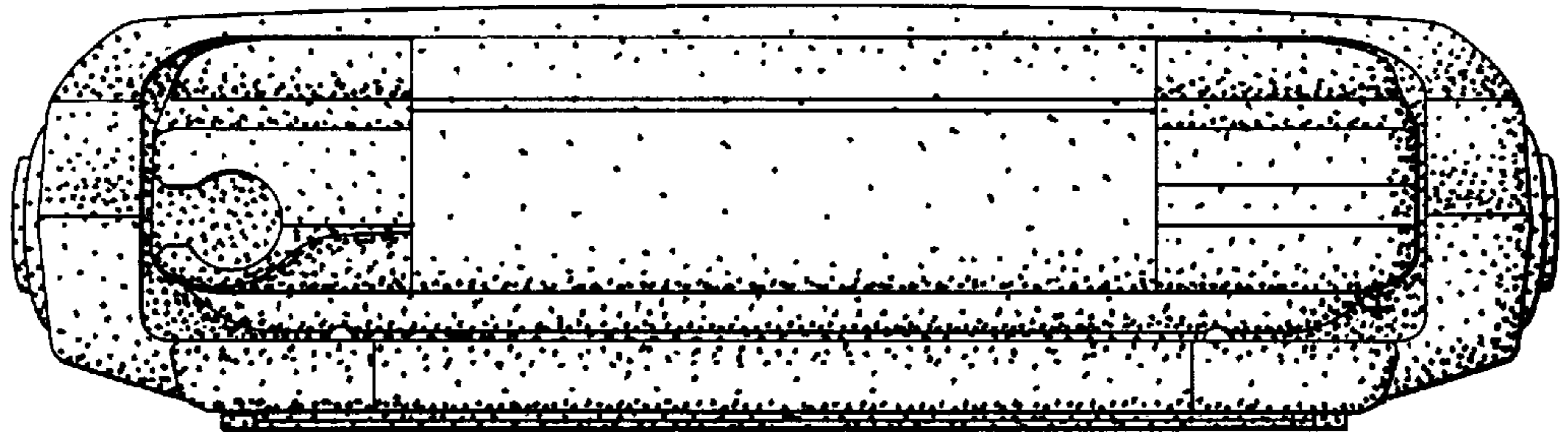
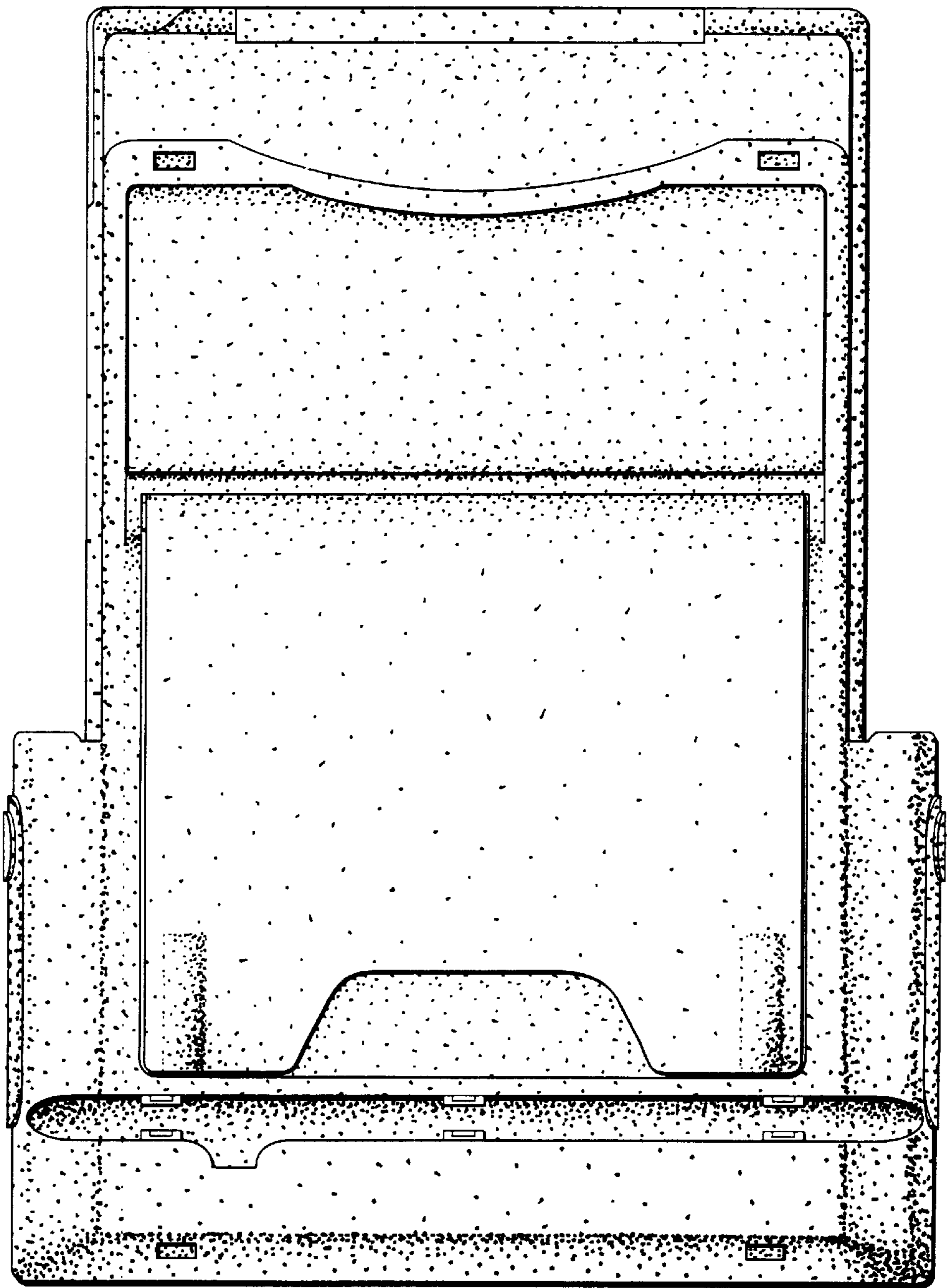


Fig. 10



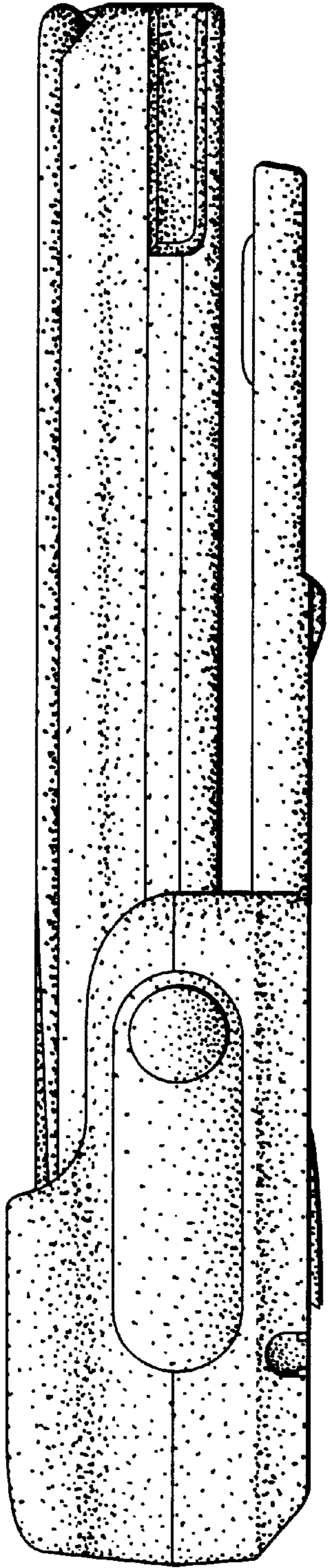


Fig. 13

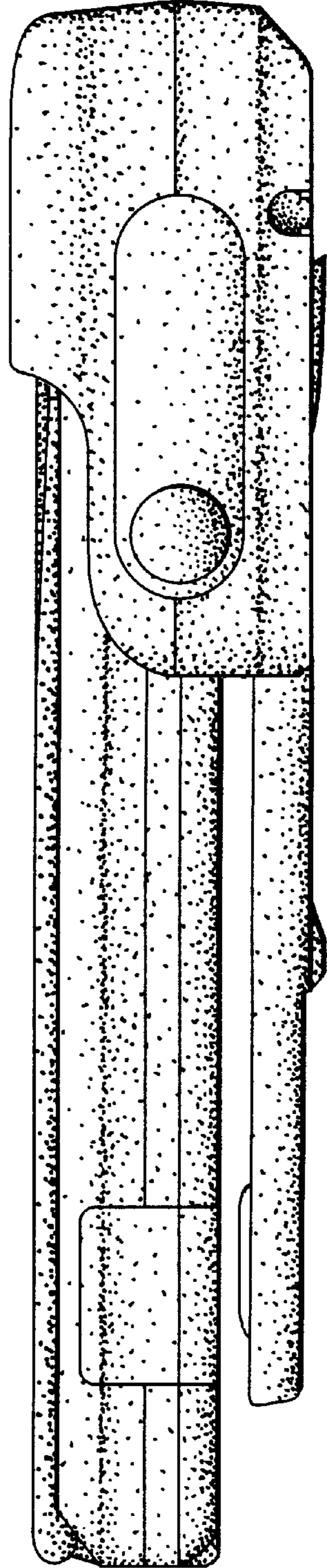


Fig. 14

UNITED STATES PATENT AND TRADEMARK OFFICE
CERTIFICATE OF CORRECTION

PATENT NO. : **Des. 412,494**
DATED : **August 3, 1999**
INVENTOR(S) : **HIDEOTOSHI TAMAKI; TAMIKO KUWAHARA**

It is certified that error appears in the above-identified patent and that said letters patent is hereby corrected as shown below:

In Figure 8 description, change "elevational" to --perspective--.

Signed and Sealed this
Twenty-eighth Day of December, 1999

Attest:



Q. TODD DICKINSON

Attesting Officer

Acting Commissioner of Patents and Trademarks