



US00D412492S

# United States Patent [19]

Gatchell et al.

[11] Patent Number: Des. 412,492

[45] Date of Patent: \*\* Aug. 3, 1999

[54] REMOTE CONTROL FOR CEILING FAN

[75] Inventors: Stephen M. Gatchell, Warwick, R.I.;  
Alfred J. LaSpina, Methuen, Mass.

[73] Assignee: Honeywell Inc., Minneapolis, Minn.

[\*\*] Term: 14 Years

[21] Appl. No.: 29/086,948

[22] Filed: Apr. 23, 1998

[51] LOC (6) Cl. .... 13-03

[52] U.S. Cl. .... D13/164; D13/162; D13/171

[58] Field of Search ..... D13/162, 164,  
D13/169, 170, 171, 174, 177; D8/350-353;  
174/48, 52.1, 66; 200/42.01, 237, 293,  
308, 310, 313, 314, 329, 331, 341; 338/68,  
152, 163, 184, 226; 361/600, 627

### [56] References Cited

#### U.S. PATENT DOCUMENTS

D. 297,508	9/1988	Yandek et al. ....	D13/171 X
D. 310,819	9/1990	Watson et al. ....	D13/171 X
D. 311,678	10/1990	Graef et al. ....	D13/171 X
D. 312,974	12/1990	Conner et al. ....	D13/164 X
D. 344,068	2/1994	Adams et al. ....	D13/164

D. 378,814	4/1997	Adams et al. ....	D13/614
D. 387,736	12/1997	Adams et al. ....	D13/164
5,036,168	7/1991	Kikuchi et al. ....	200/293 X

Primary Examiner—Brian N. Vinson  
Attorney, Agent, or Firm—Robert B. Leonard

### [57] CLAIM

The ornamental design for a remote control for ceiling fan, as shown.

### DESCRIPTION

FIG. 1 is a perspective view of a remote control for ceiling fan showing our design.

FIG. 2 is a front elevational view of the remote control for ceiling fan described in FIG. 1.

FIG. 3 is a right side elevational view of the remote control for ceiling fan described in FIG. 1.

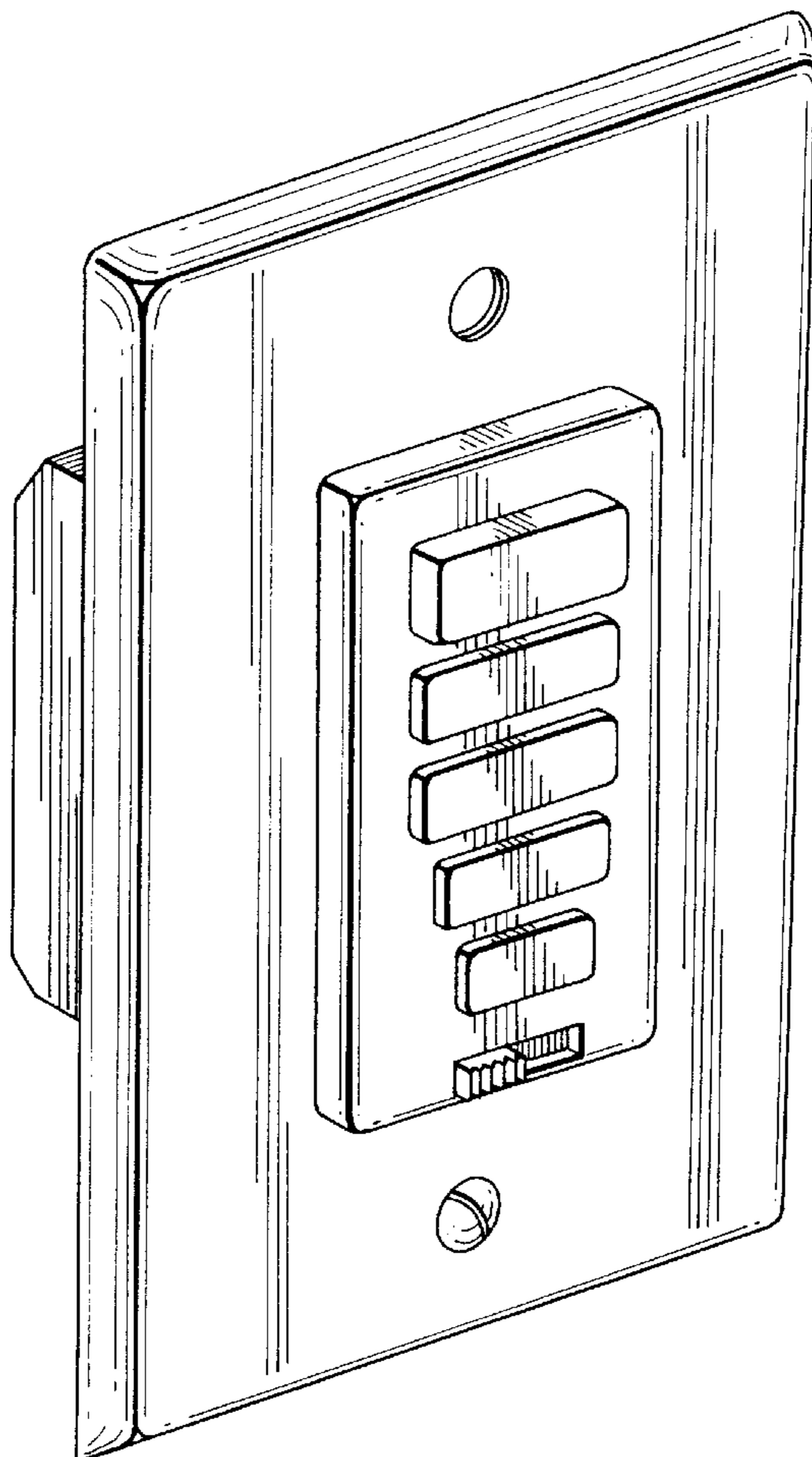
FIG. 4 is a left side elevational view of the remote control for ceiling fan described in FIG. 1.

FIG. 5 is a rear elevational view of the remote control for ceiling fan described in FIG. 1.

FIG. 6 is a top plan view of the remote control for ceiling fan described in FIG. 1; and,

FIG. 7 is a bottom plan view of the remote control for ceiling fan described in FIG. 1.

1 Claim, 4 Drawing Sheets



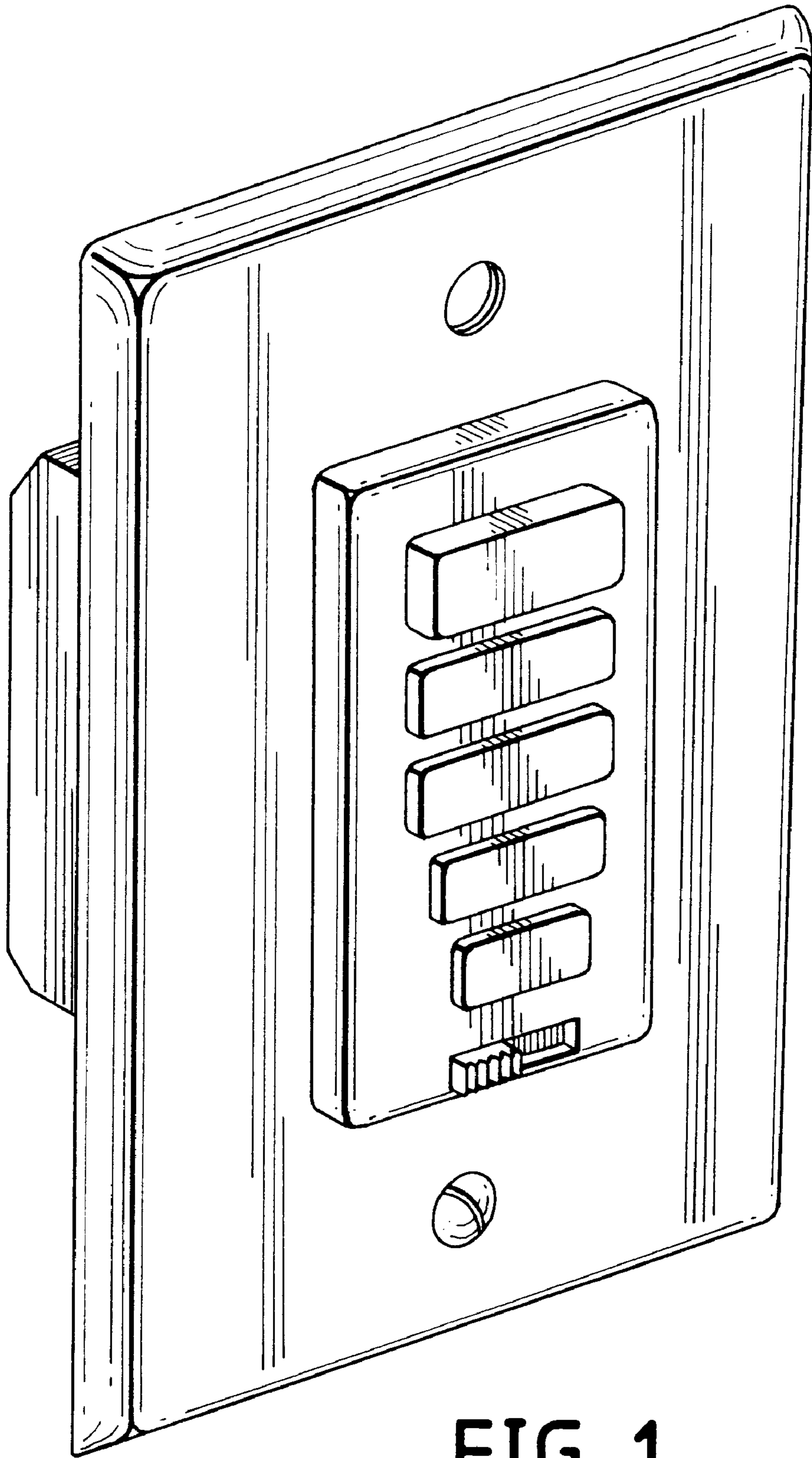


FIG. 1

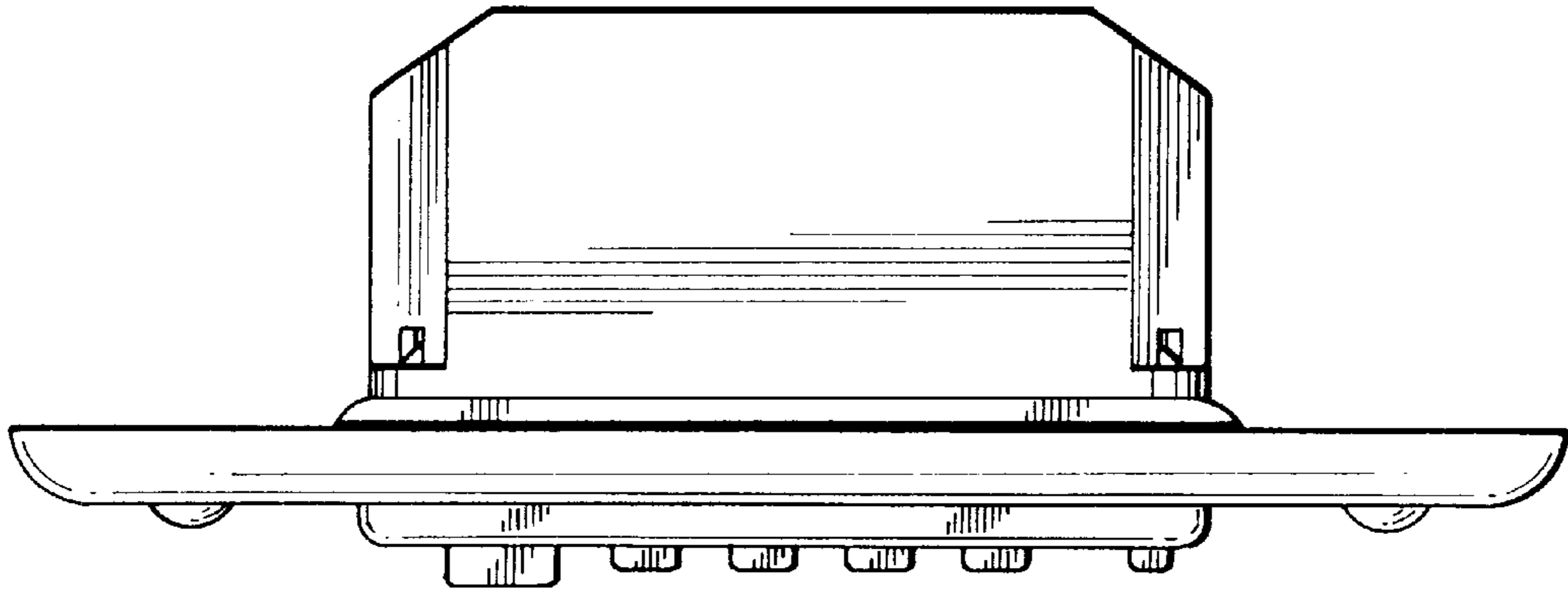


FIG. 3

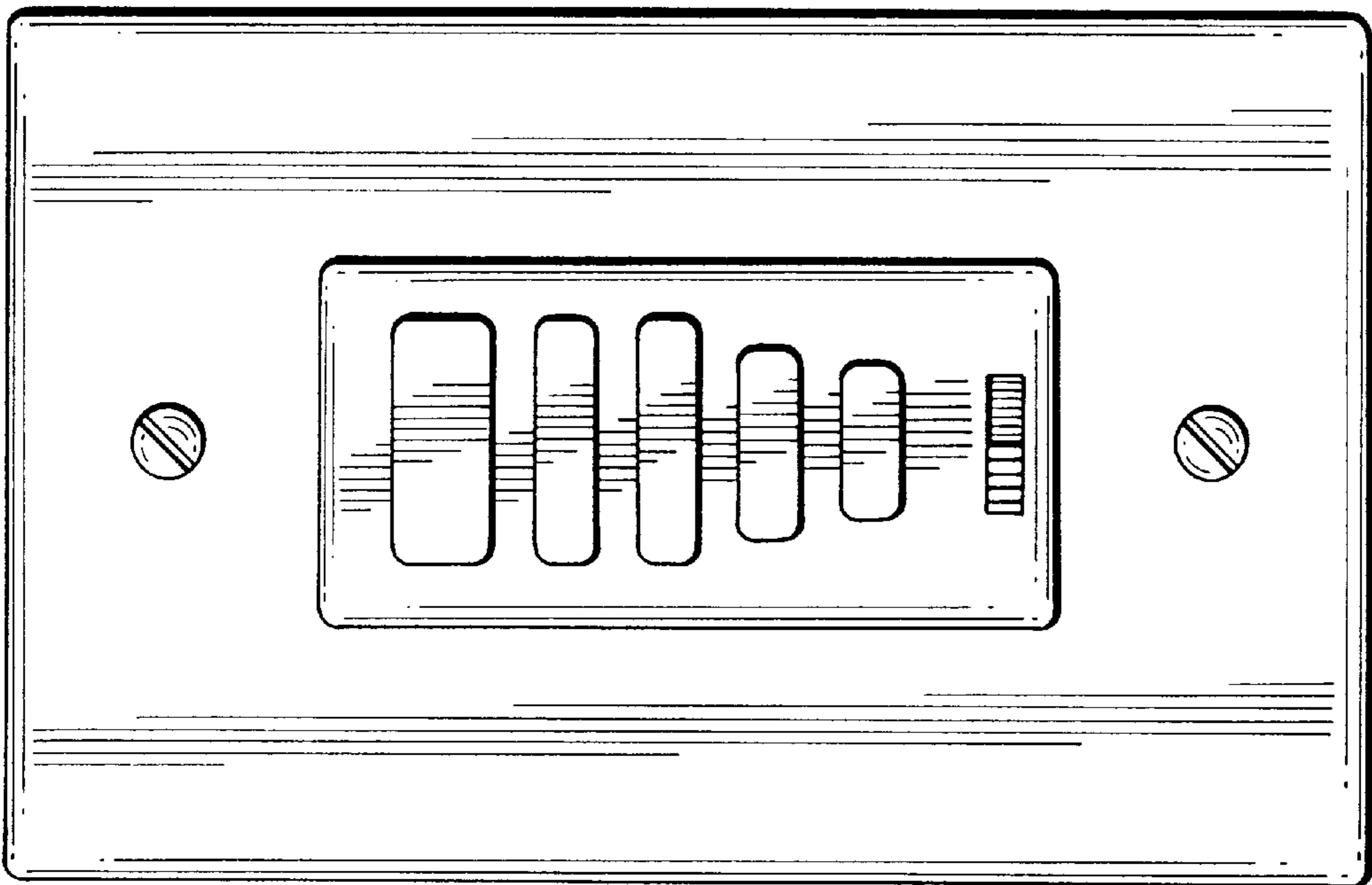


FIG. 2

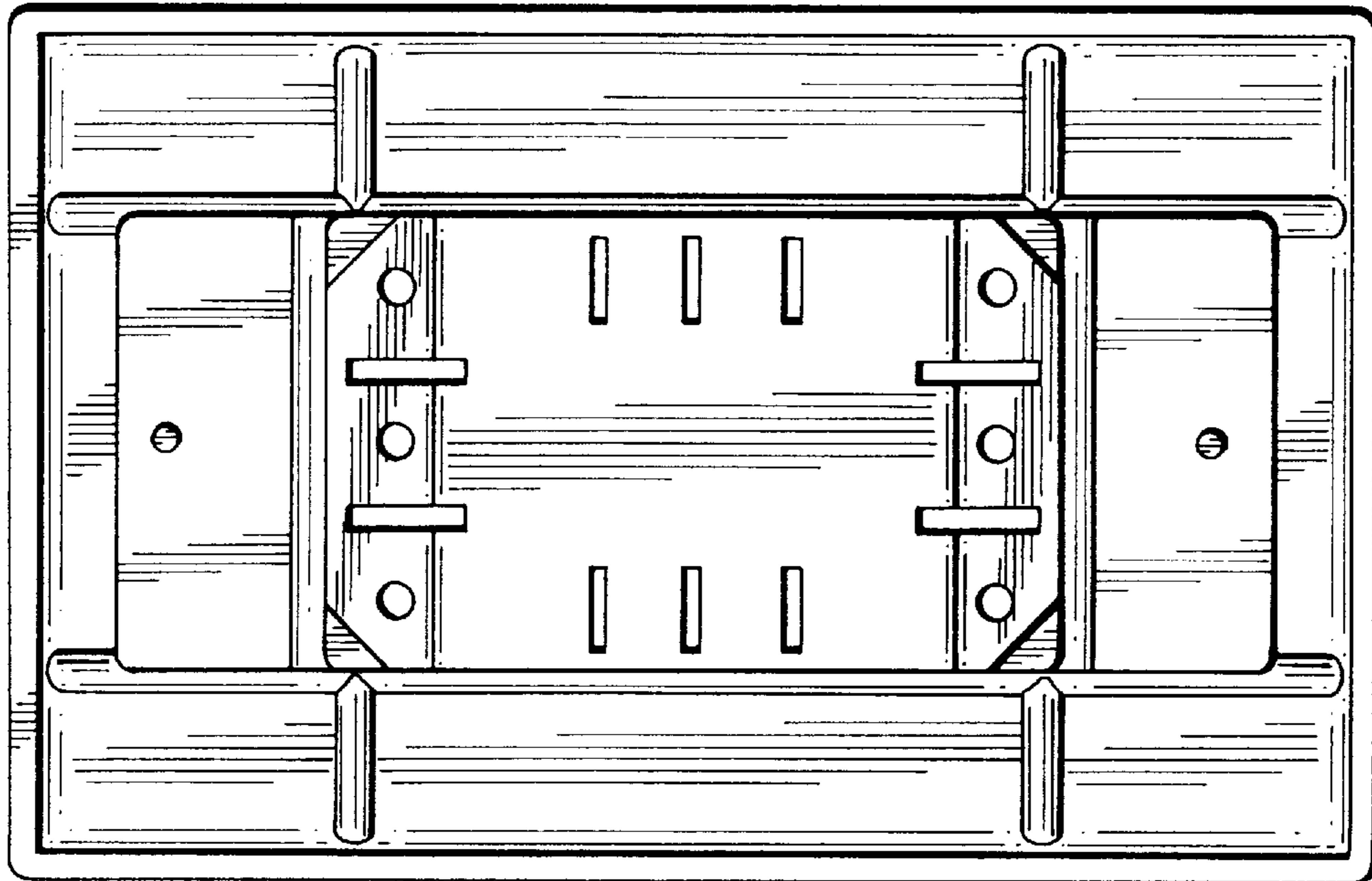


FIG. 5

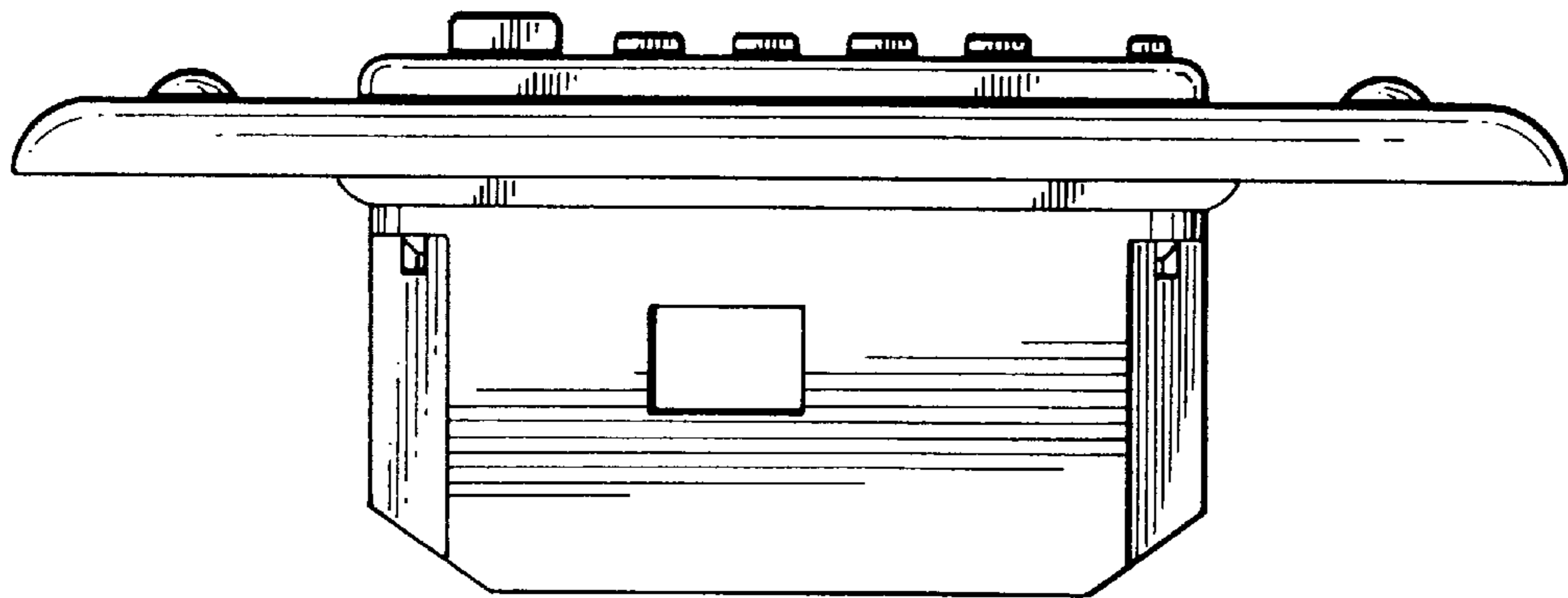


FIG. 4

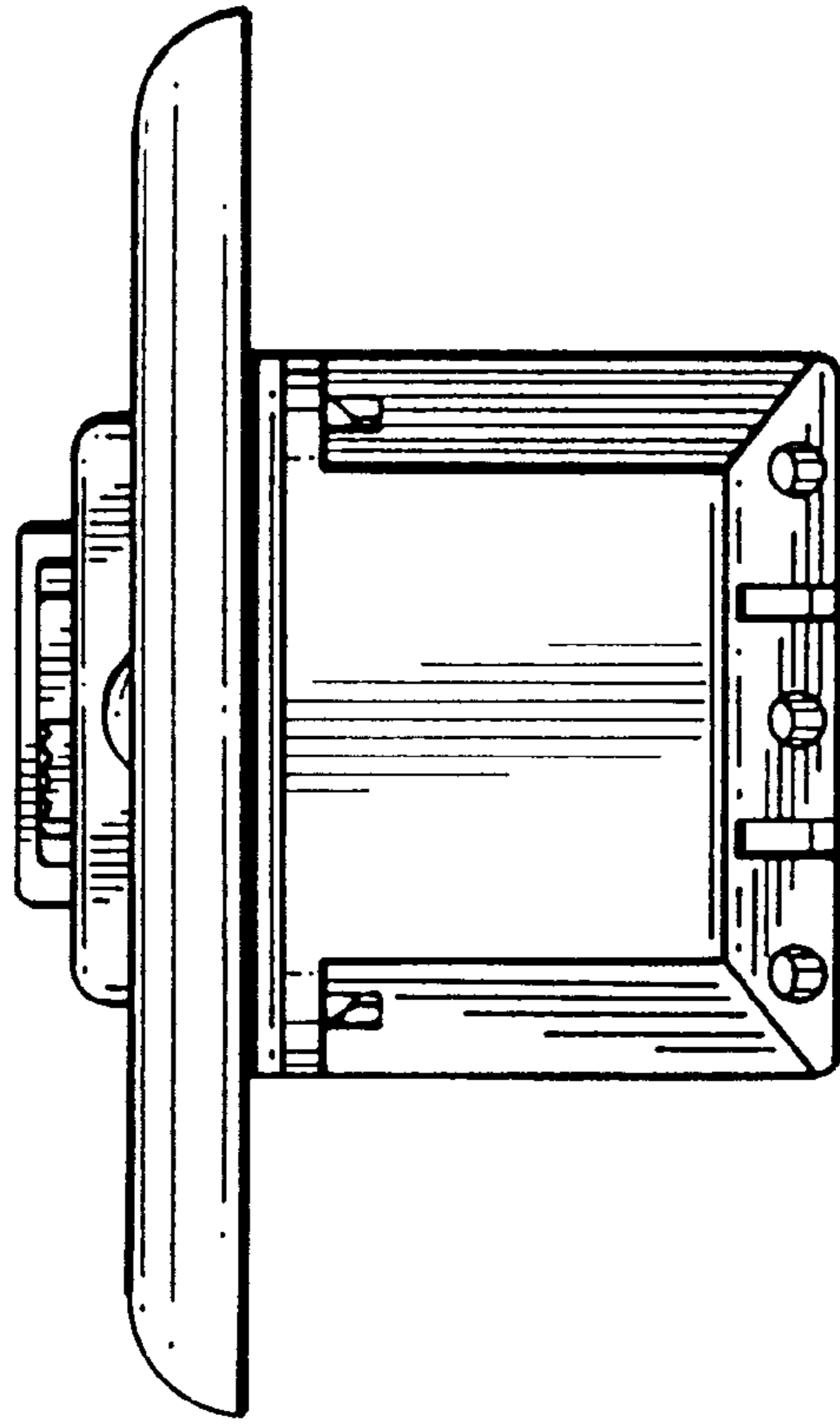


FIG. 6

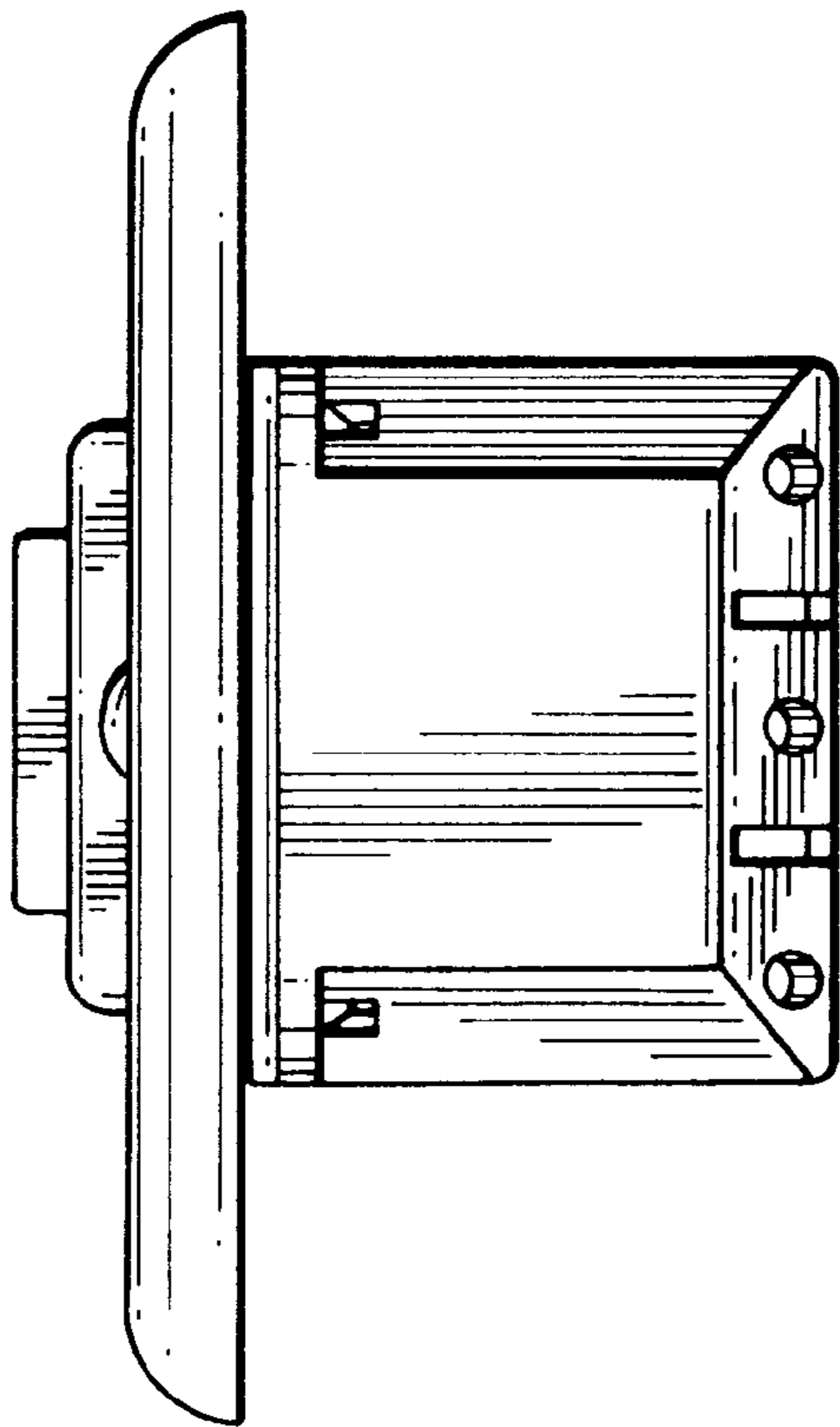


FIG. 7