



US00D412489S

# United States Patent [19]

Middlehurst et al.

[11] Patent Number: Des. 412,489

[45] Date of Patent: \*\* Aug. 3, 1999

- [54] ELECTRICAL CONNECTOR HOUSING
- [75] Inventors: **Richard J. Middlehurst**, Fremont;  
**Jason S. Sloey**, Milpitas, both of Calif.
- [73] Assignee: **Elcon Products International**,  
Fremont, Calif.
- [\*\*] Term: **14 Years**
- [21] Appl. No.: **29/086,730**
- [22] Filed: **Apr. 16, 1998**
- [51] **LOC (6) Cl.** ..... **13-03**
- [52] **U.S. Cl.** ..... **D13/147**
- [58] **Field of Search** ..... D13/146, 147;  
439/78, 79, 540.1, 541.5, 569, 573, 564,  
607, 650, 677, 680, 206, 638

- 4,749,357 6/1988 Foley .
- 4,824,380 4/1989 Matthews .
- 4,854,899 8/1989 Matthews .
- 4,946,392 8/1990 Kobler et al. .
- 4,983,127 1/1991 Kawai et al. .
- 5,055,055 10/1991 Bakker .
- 5,088,942 2/1992 Welsh et al. .
- 5,211,589 5/1993 McCardell .
- 5,306,182 4/1994 Fukushima et al. .
- 5,376,012 12/1994 Clark .
- 5,397,248 3/1995 Whitemen, Jr. et al. .... 439/540.1 X
- 5,431,576 7/1995 Matthews .
- 5,547,400 8/1996 Wright .
- 5,575,690 11/1996 Eaton .
- 5,674,094 10/1997 Hutchinson et al. .... 439/680
- 5,725,394 3/1998 Banakis et al. .
- 5,782,646 7/1998 Broadfield et al. .... 439/607 X

*Primary Examiner*—Joel Sincavage  
*Attorney, Agent, or Firm*—Flehr Hohbach Test Albritton & Herbert LLP

## [56] References Cited

### U.S. PATENT DOCUMENTS

- D. 271,685 12/1983 Casciotti et al. .... D13/147
- D. 366,239 1/1996 Eaton .
- D. 366,241 1/1996 Eaton .
- D. 366,454 1/1996 Eaton .
- D. 368,071 3/1996 Eaton .
- D. 372,220 7/1996 Matthews .
- 3,120,989 2/1964 Solorow et al. .
- 3,383,643 5/1968 Nava et al. .
- 3,471,822 10/1969 Van Baelen .
- 3,560,911 2/1971 Zimmerman, Jr. et al. .
- 3,587,029 6/1971 Knowles .
- 3,617,992 11/1971 Ruehlemann et al. .
- 3,697,933 10/1972 Black et al. .
- 3,808,578 4/1974 Hansen .
- 4,191,440 3/1980 Schramm .
- 4,379,611 4/1983 Foege et al. .
- 4,451,107 5/1984 Dola et al. .
- 4,458,970 7/1984 Fourreau et al. .
- 4,514,784 4/1985 Williams et al. .
- 4,616,893 10/1986 Feldman .

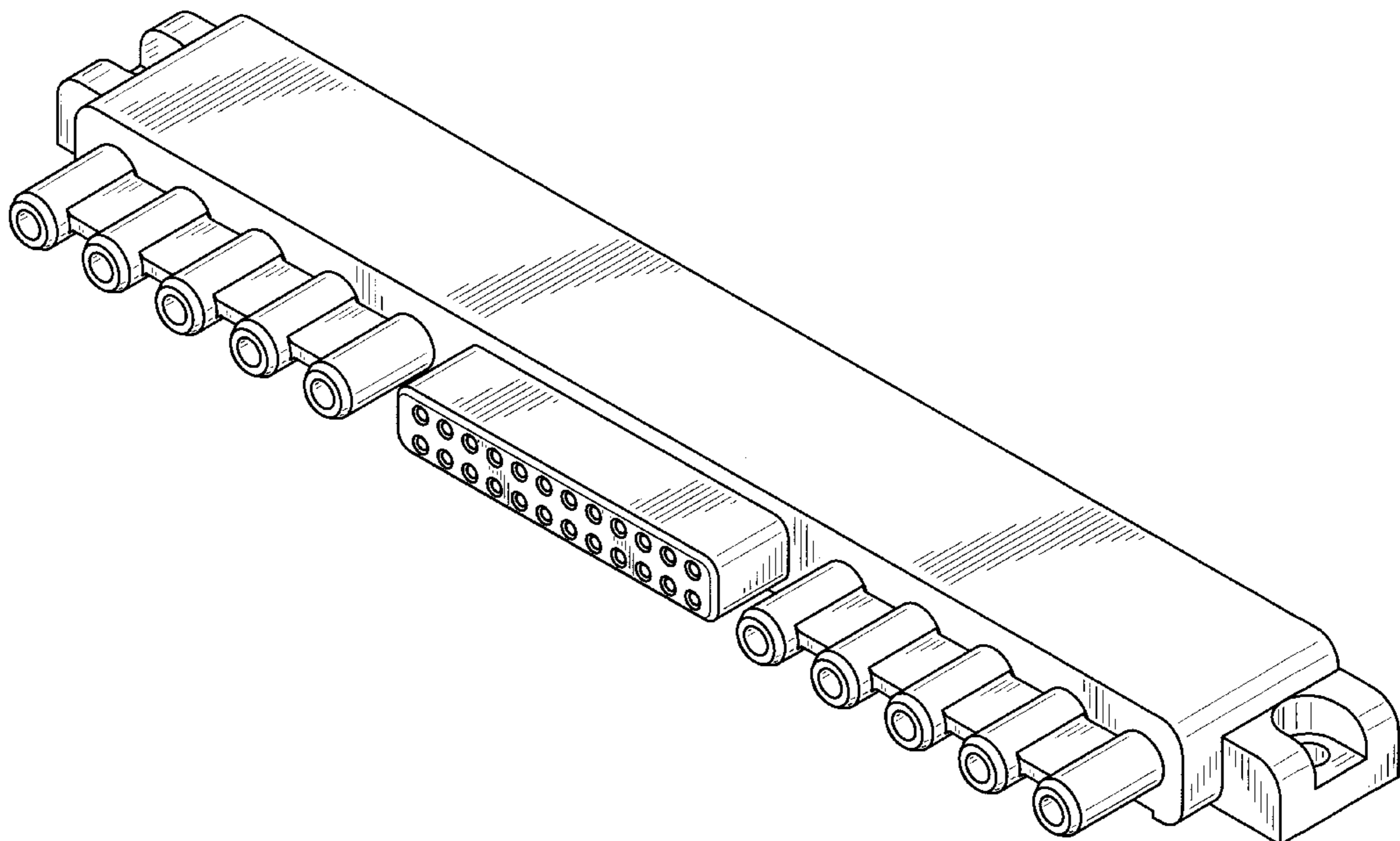
## [57] CLAIM

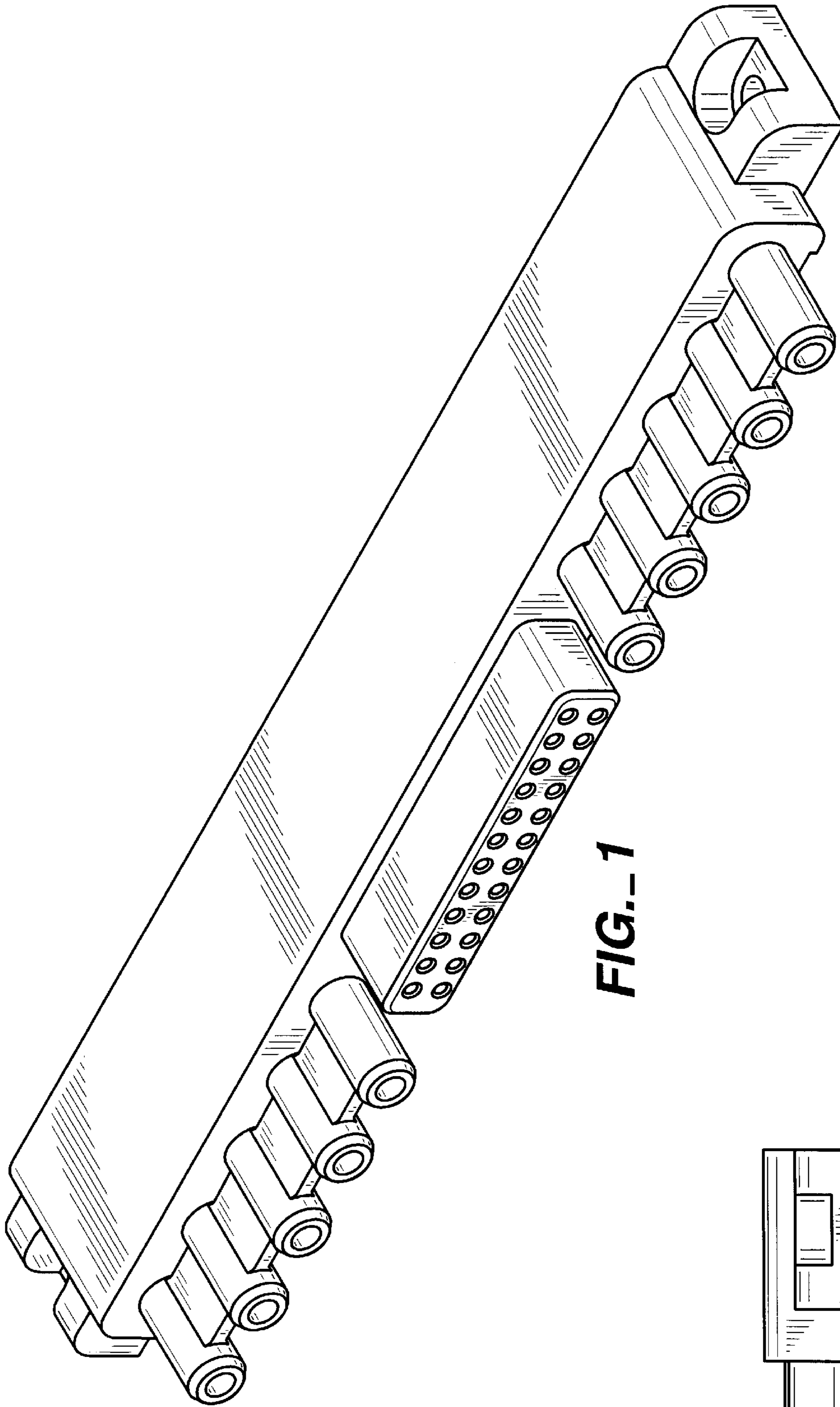
The ornamental design for an electrical connector housing, as shown and described.

## DESCRIPTION

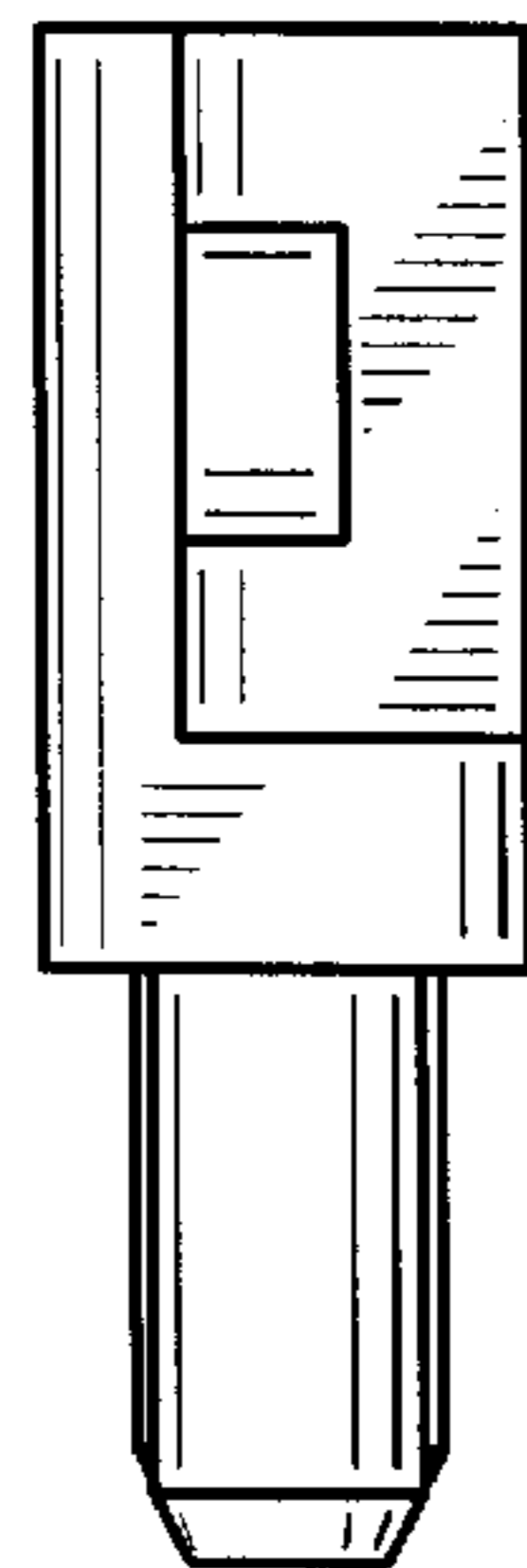
FIG. 1 is a perspective view as seen from the front and upper right of an electrical connector housing showing our new design;  
 FIG. 2 is a front elevational view thereof;  
 FIG. 3 is a top plan view thereof;  
 FIG. 4 is a right side elevational view thereof, the left side is a mirror image;  
 FIG. 5 is a rear elevational view thereof;  
 FIG. 6 is a bottom plan view thereof; and,  
 FIG. 7 is a perspective view as seen from the rear and lower right with the electrical connector housing in an inverted position.

1 Claim, 4 Drawing Sheets

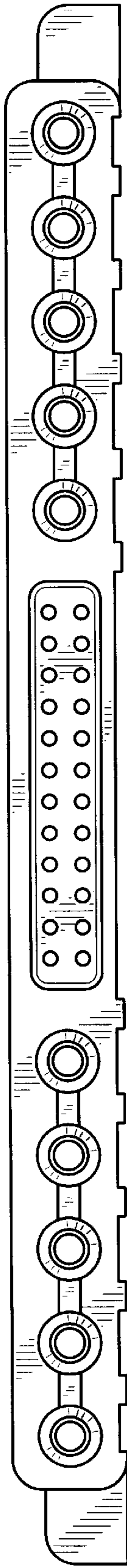




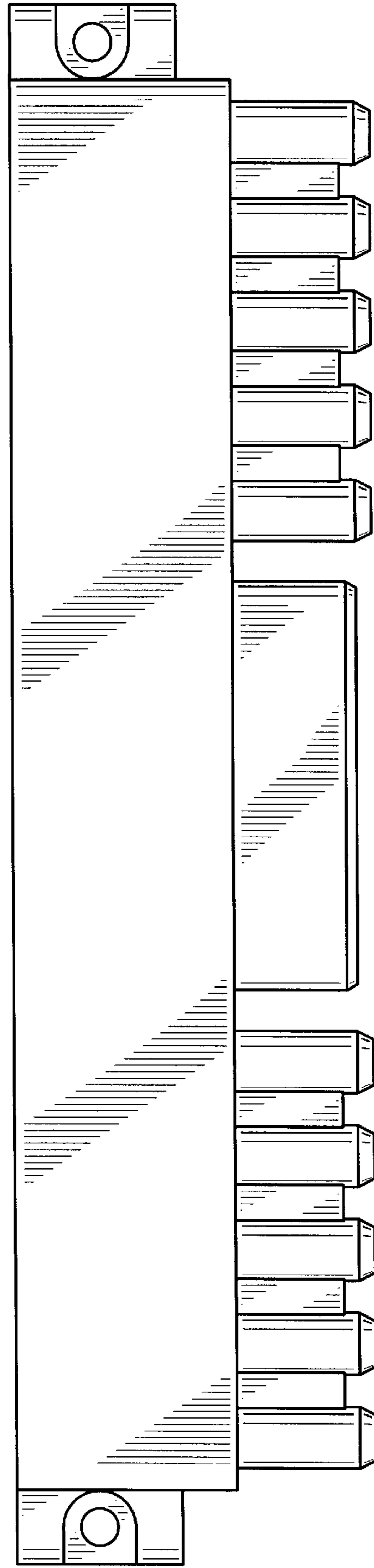
**FIG.- 1**



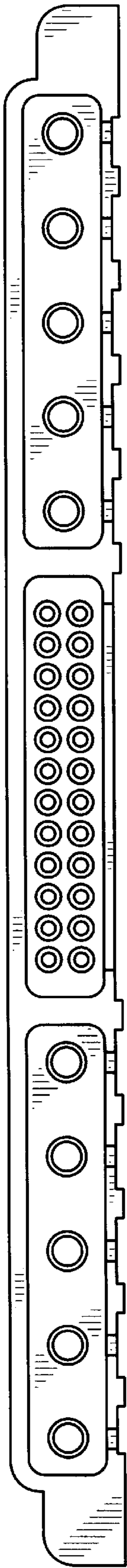
**FIG.- 4**



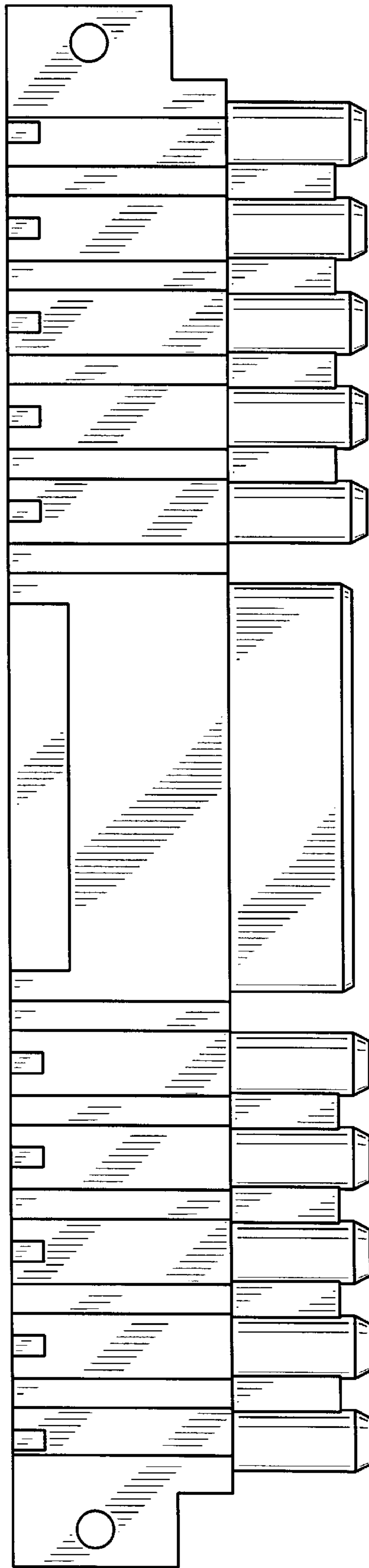
**FIG. 2**



**FIG. 3**

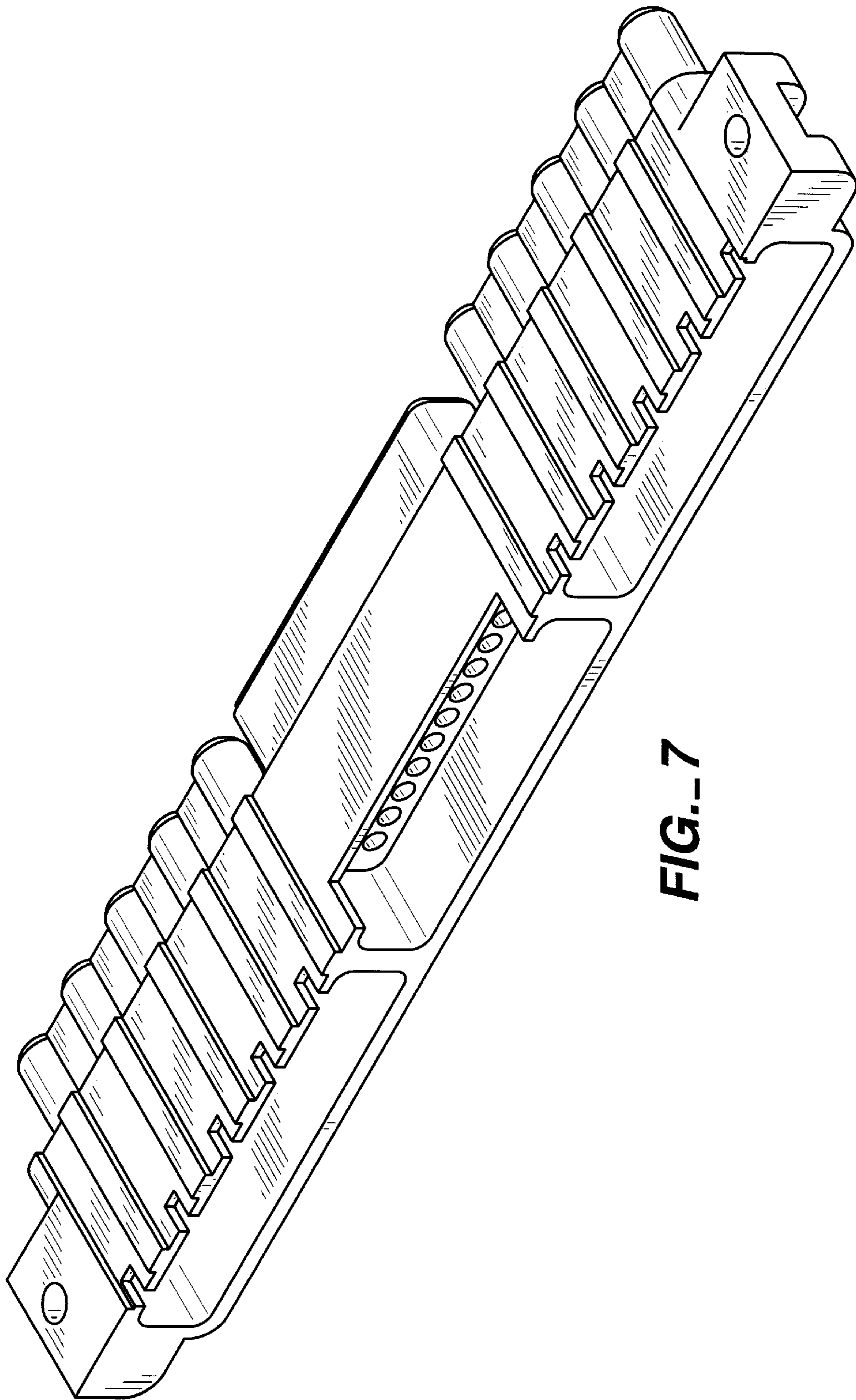


**FIG. 5**



**FIG. 6**





**FIG.- 7**