



US00D412487S

United States Patent [19]

[11] Patent Number: Des. 412,487

Nagele et al.

[45] Date of Patent: ** Aug. 3, 1999

[54] CHARGER

DESCRIPTION

[75] Inventors: **Albert L. Nagele**, Wilmette, Ill.; **Kevin J. Schechtel**, Suwanee, Ga.

FIG. 1 is a front, top, and right side perspective view showing our new design for a charger with the cover closed and broken line matter being for illustrative purposes only and forming no part of the claimed design.

[73] Assignee: **Motorola, Inc.**, Schaumburg, Ill.

FIG. 2 is a left side elevational view of the design according to FIG. 1 with broken line matter being for illustrative purposes only and forming no part of the claimed design.

[**] Term: **14 Years**

[21] Appl. No.: **29/044,216**

FIG. 3 is a rear elevational view of the design according to FIG. 1 with broken line matter being for illustrative purposes only and forming no part of the claimed design.

[22] Filed: **Sep. 20, 1995**

[51] LOC (6) Cl. **13-02**

FIG. 4 is a bottom plan view of the design according to FIG. 1 with broken line matter being for illustrative purposes only and forming no part of the claimed design.

[52] U.S. Cl. **D13/108**

[58] Field of Search D13/107, 108;
320/107, 111-115

FIG. 5 is a front, top, and right side perspective view showing our new design for a charger according to FIGS. 1-4 with the cover open and broken line matter being for illustrative purposes only and forming no part of the claimed design.

[56] References Cited

U.S. PATENT DOCUMENTS

D. 328,276	7/1992	Koinuma	D13/107
D. 348,427	7/1994	Okmaki et al.	D13/107
D. 370,202	5/1996	Youens	D13/107
5,659,236	8/1997	Hahn	320/2
5,691,618	11/1997	Kogayashi et al.	320/2

FIG. 6 is a left side elevational view of the design according to FIG. 5 with broken line matter being for illustrative purposes only and forming no part of the claimed design.

Primary Examiner—Joel Sincavage
Attorney, Agent, or Firm—Randall S. Vaas

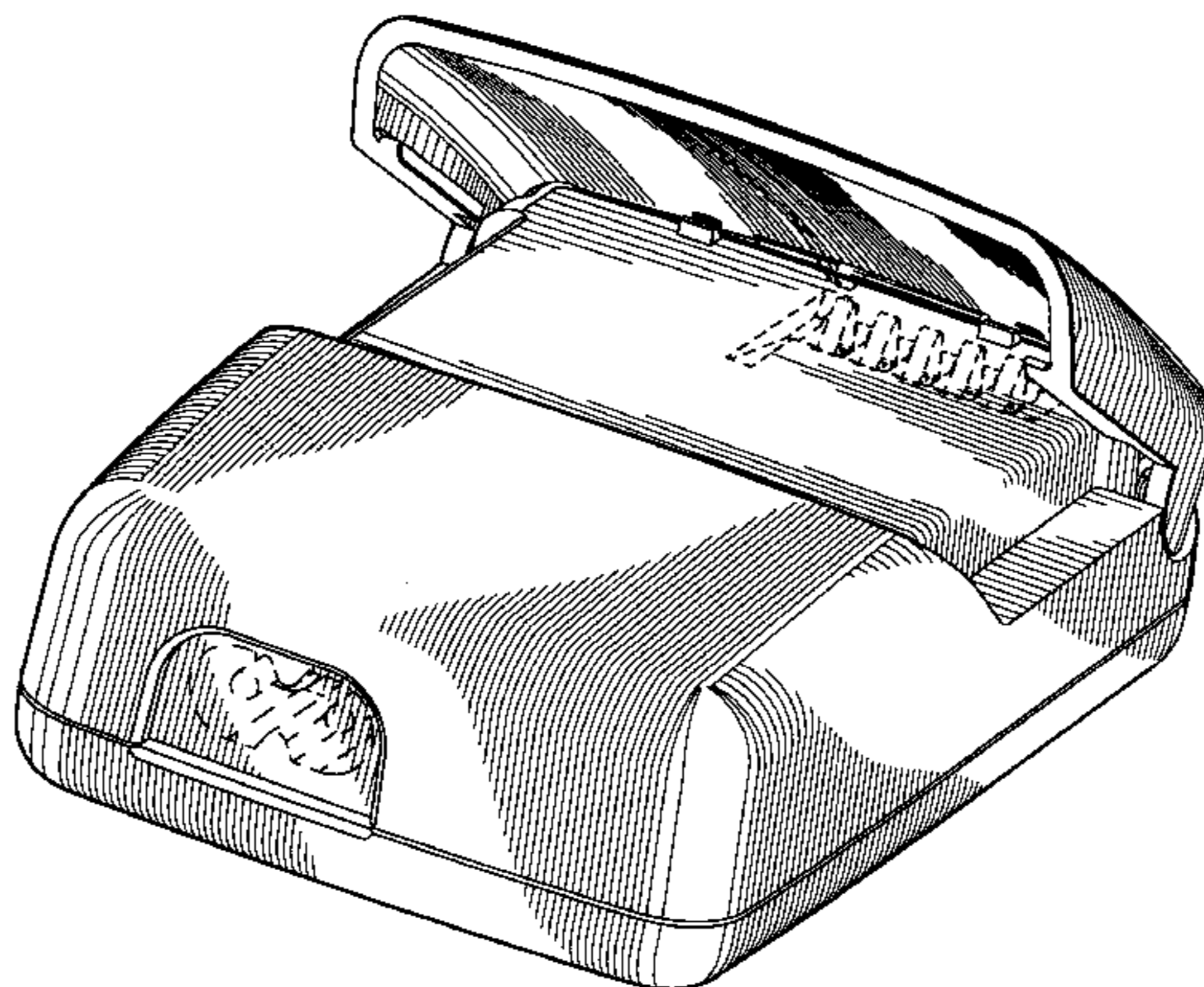
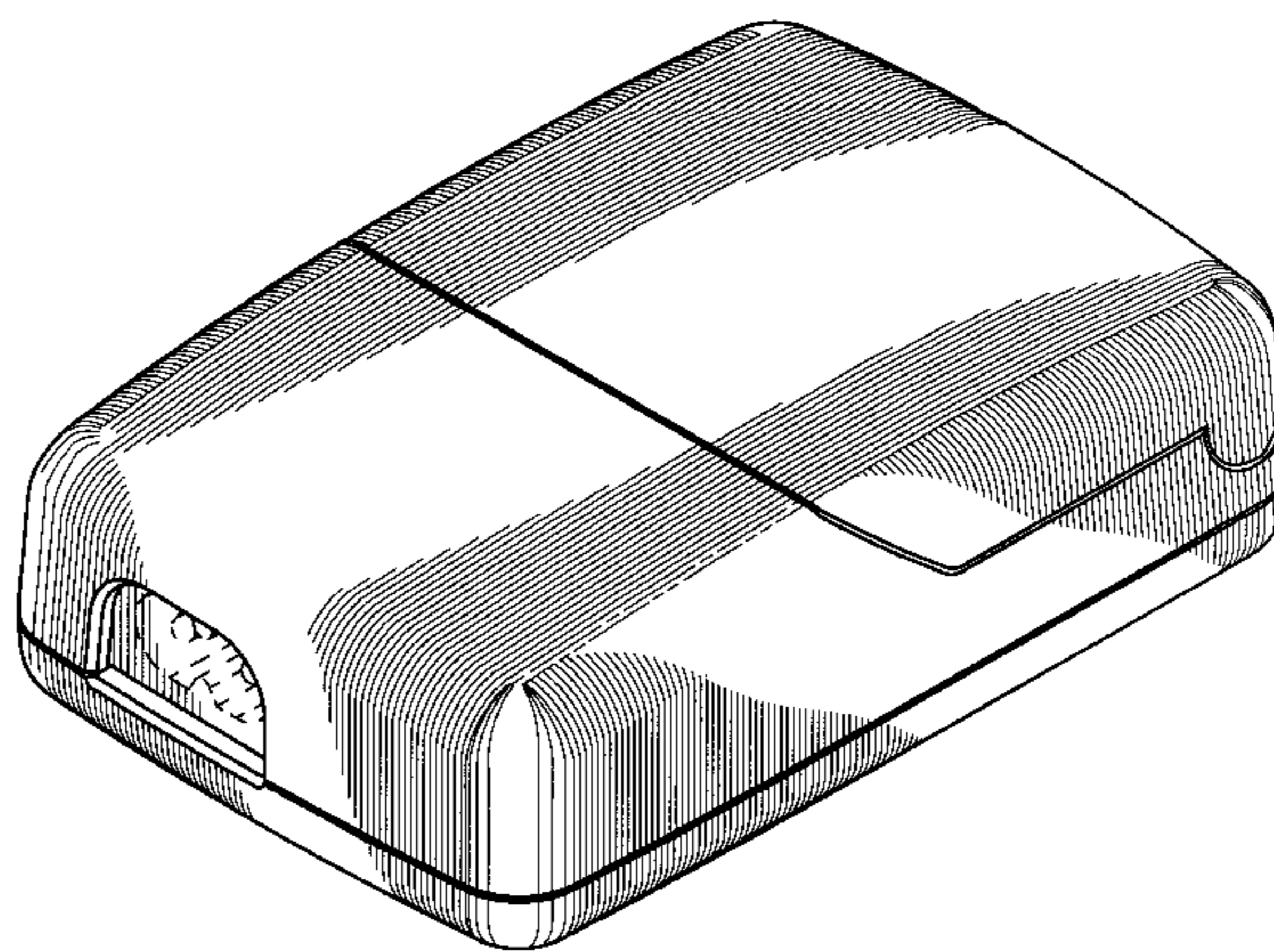
FIG. 7 is a rear elevational view of the design according to FIG. 5 with broken line matter being for illustrative purposes only and forming no part of the claimed design; and,

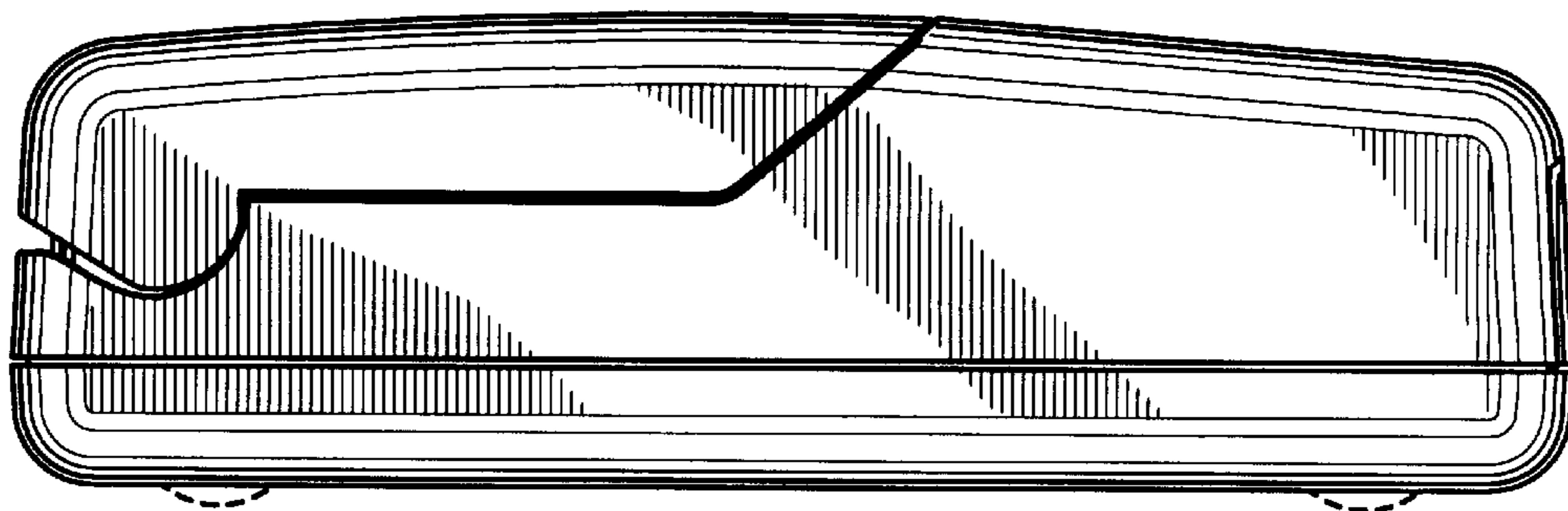
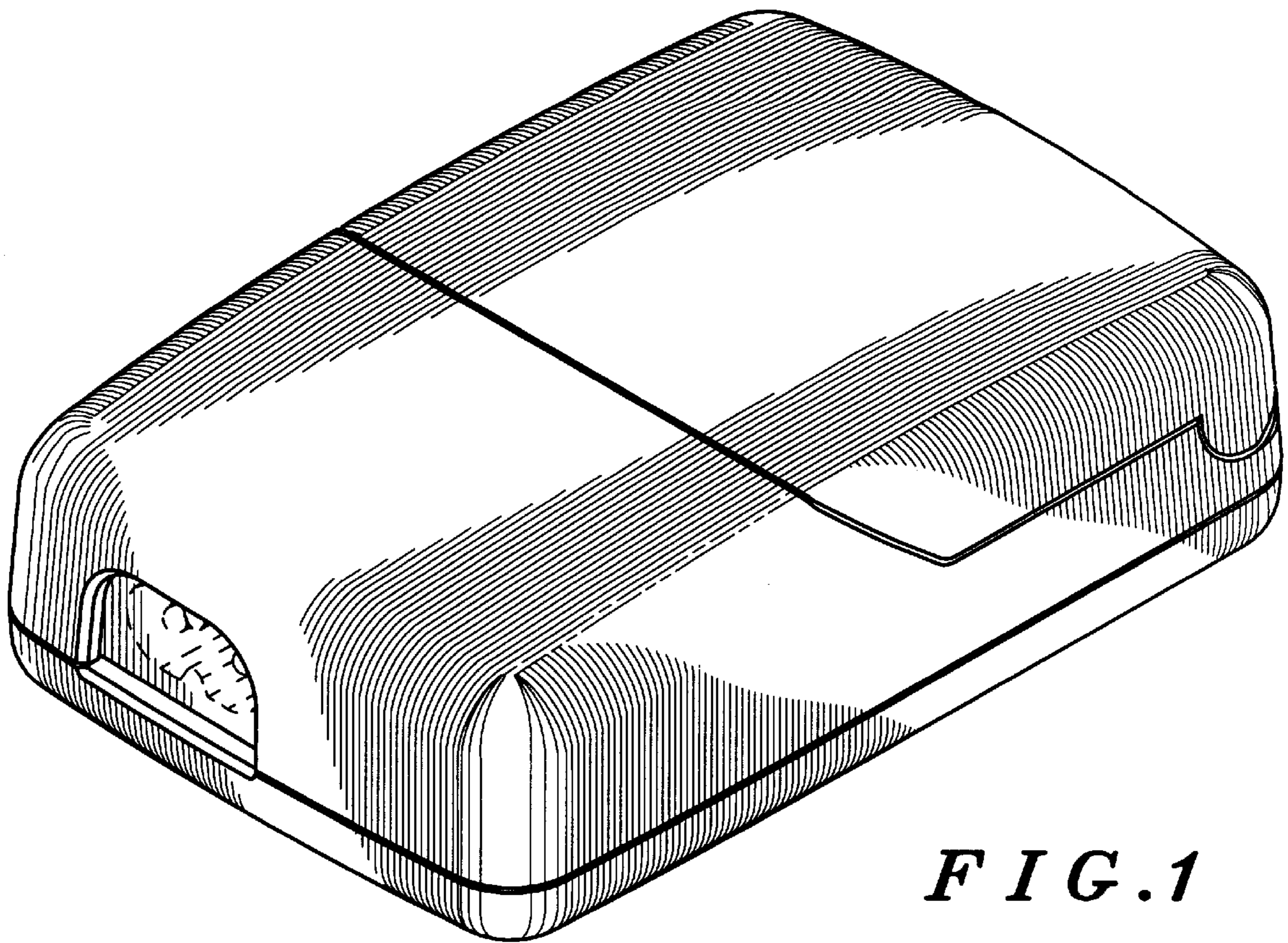
[57] CLAIM

FIG. 8 is a bottom plan view of the design according to FIG. 5 with broken line matter being for illustrative purposes only and forming no part of the claimed design.

The ornamental design for a charger, as shown and described.

1 Claim, 4 Drawing Sheets





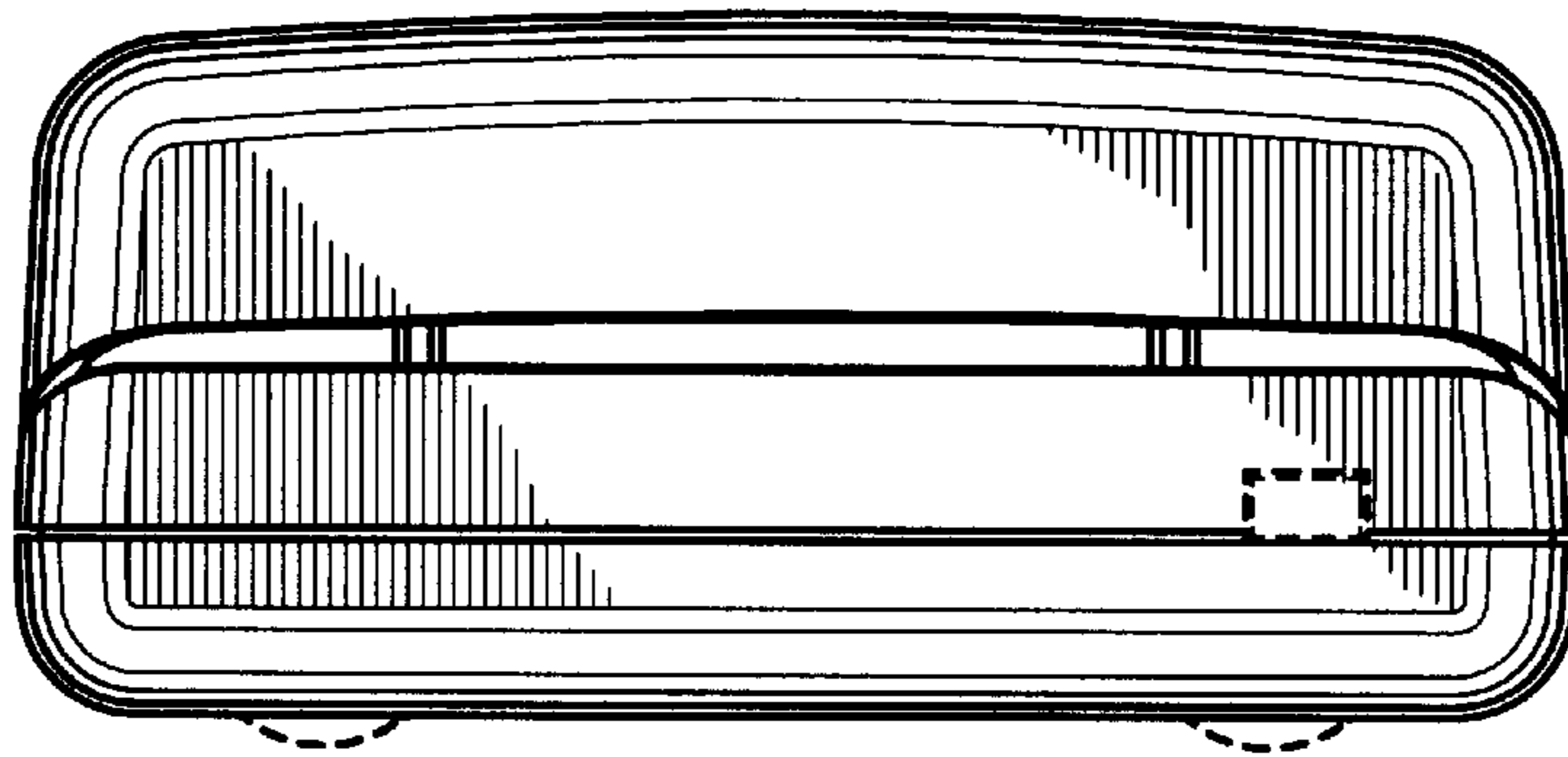


FIG. 3

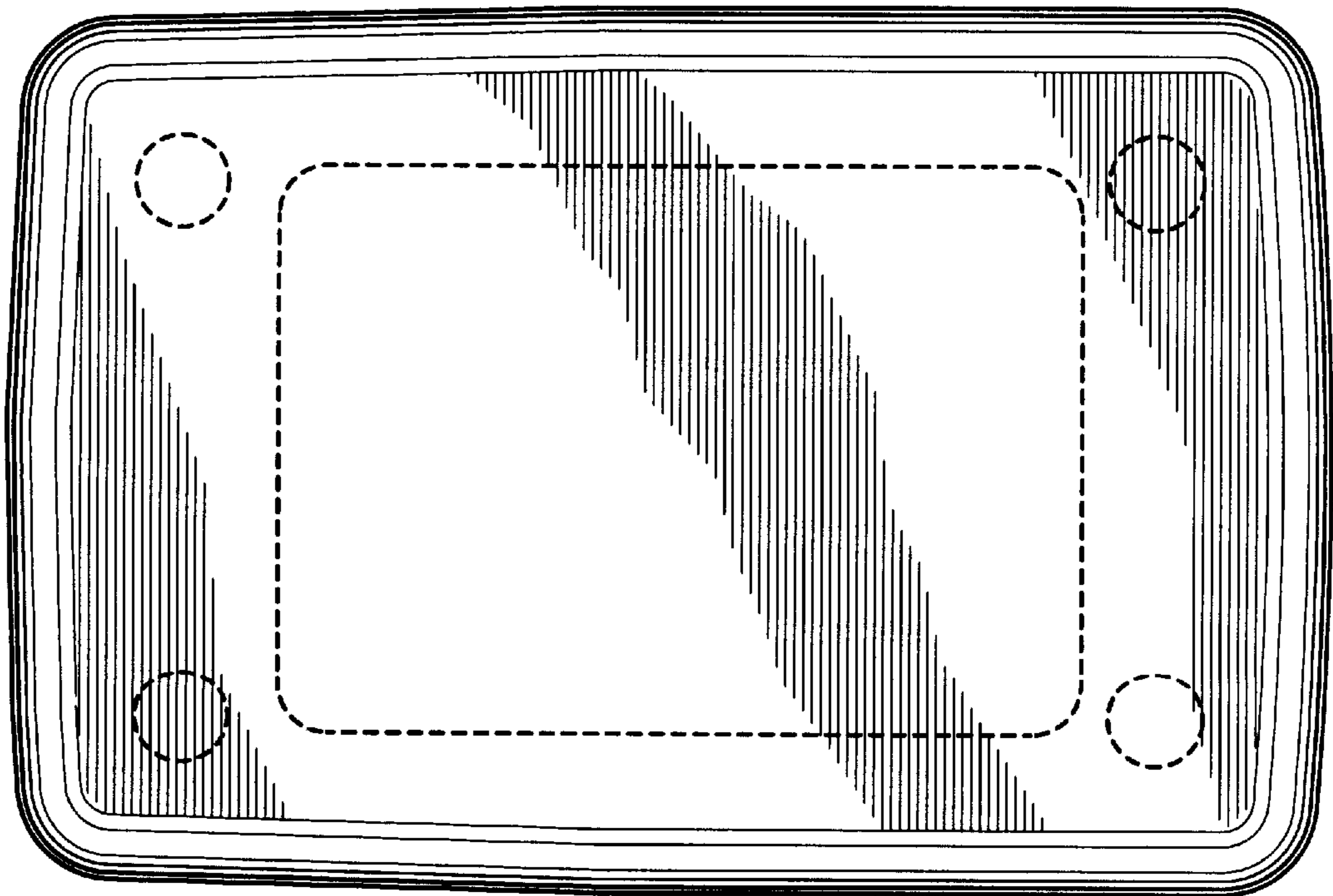


FIG. 4

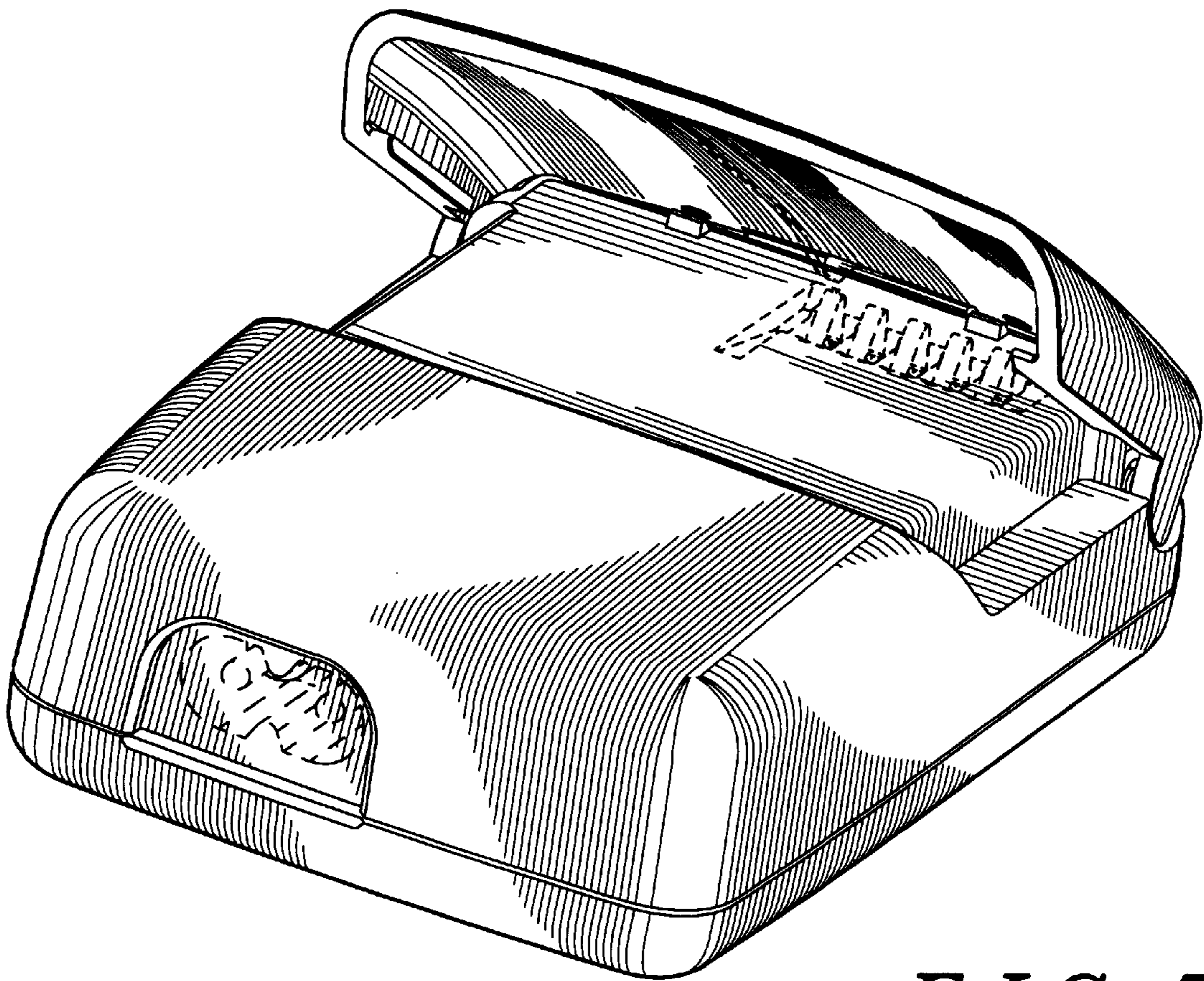


FIG. 5

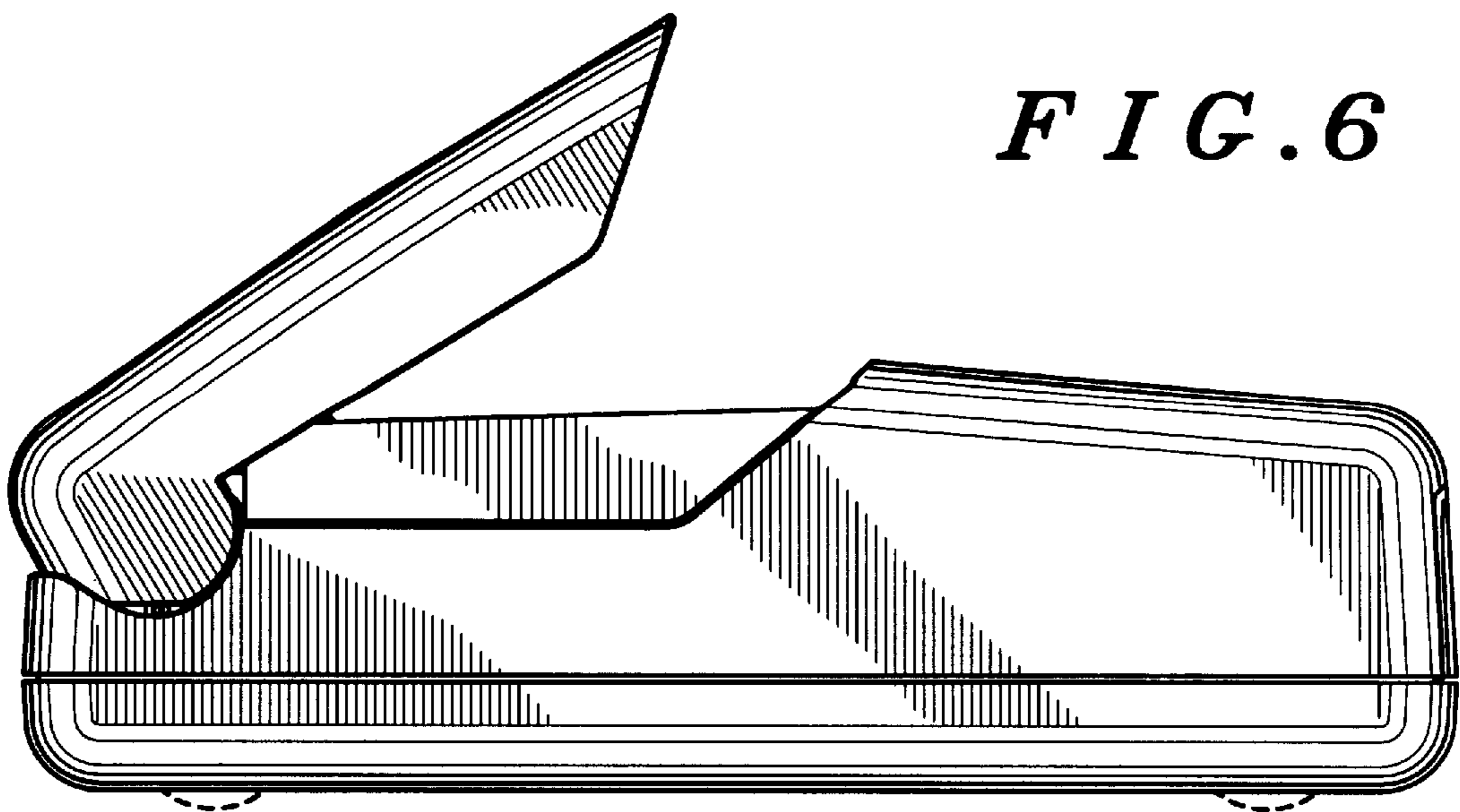


FIG. 6

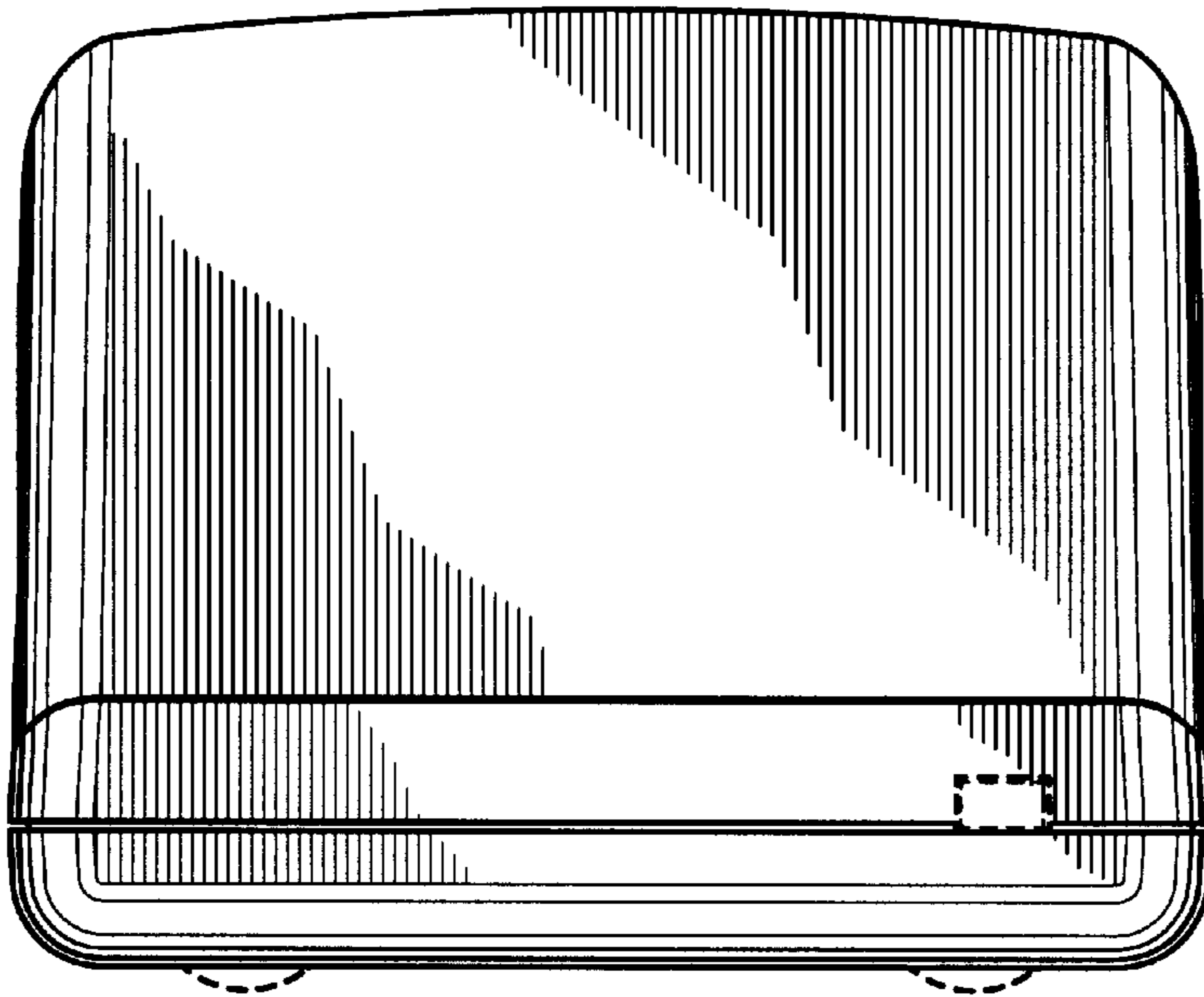


FIG. 7

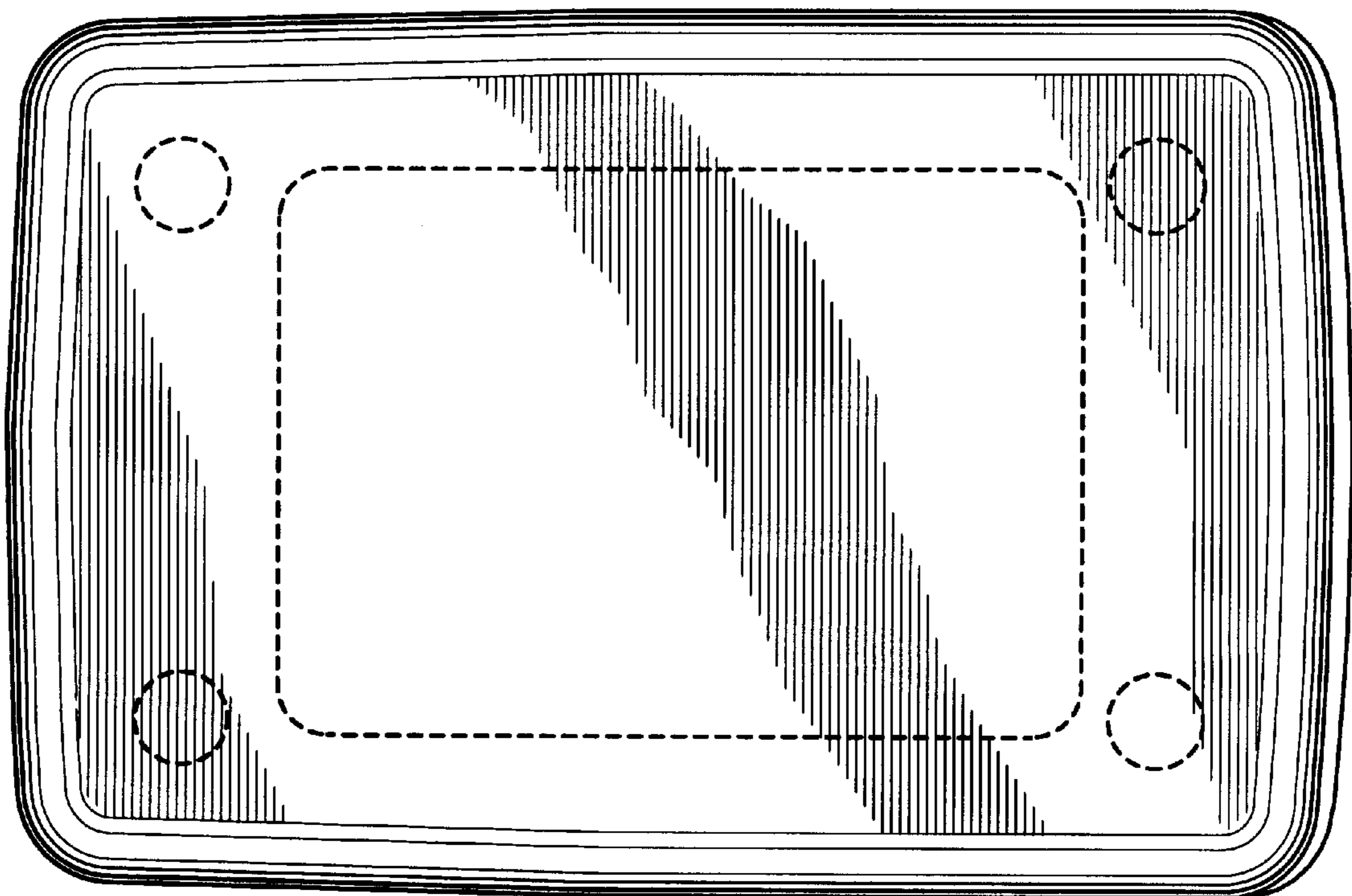


FIG. 8