



US00D412486S

**United States Patent** [19]  
**Gray et al.**

[11] **Patent Number: Des. 412,486**

[45] **Date of Patent: \*\* Aug. 3, 1999**

[54] **BATTERY HOUSING**

[75] Inventors: **Robert E. Gray**, Conyers; **Randall P. Chambers**, Lawrenceville, both of Ga.; **Haim Slotin**, Oranit, Israel

[73] Assignee: **Motorola, Inc.**, Schaumburg, Ill.

[\*\*] Term: **14 Years**

[21] Appl. No.: **29/093,812**

[22] Filed: **Sep. 18, 1998**

[51] **LOC (6) Cl.** ..... **13-02**

[52] **U.S. Cl.** ..... **D13/103**

[58] **Field of Search** ..... D13/103; 429/96-100,  
429/163, 176

[56] **References Cited**

**U.S. PATENT DOCUMENTS**

|            |         |                |       |         |
|------------|---------|----------------|-------|---------|
| D. 265,985 | 8/1982  | House, II      | ..... | D13/103 |
| D. 306,851 | 3/1990  | Weimann        | ..... | D13/103 |
| D. 335,277 | 5/1993  | Hattori        | ..... | D13/103 |
| D. 384,032 | 9/1997  | Lui            | ..... | D13/103 |
| D. 385,251 | 10/1997 | Friedli et al. | ..... | D13/103 |

|            |         |                 |       |         |
|------------|---------|-----------------|-------|---------|
| D. 388,060 | 12/1997 | Tanaka et al.   | ..... | D13/103 |
| 4,576,880  | 3/1986  | Verdier et al.  | ..... | 429/99  |
| 5,296,314  | 3/1994  | Millauer et al. | ..... | 429/99  |

*Primary Examiner*—Joel Sincavage  
*Attorney, Agent, or Firm*—Felipe J. Farley

[57] **CLAIM**

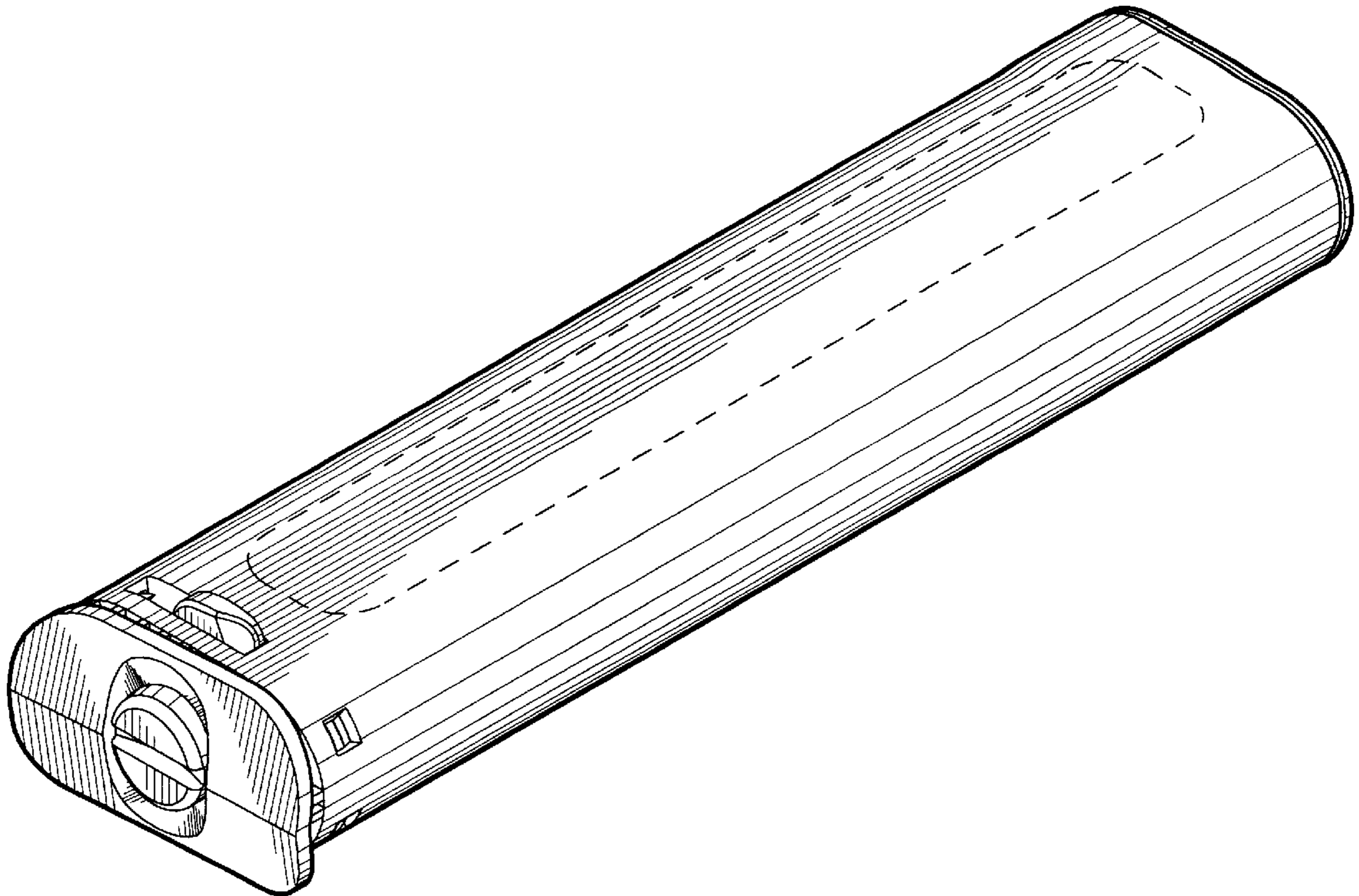
The ornamental design for a battery housing, as shown and described.

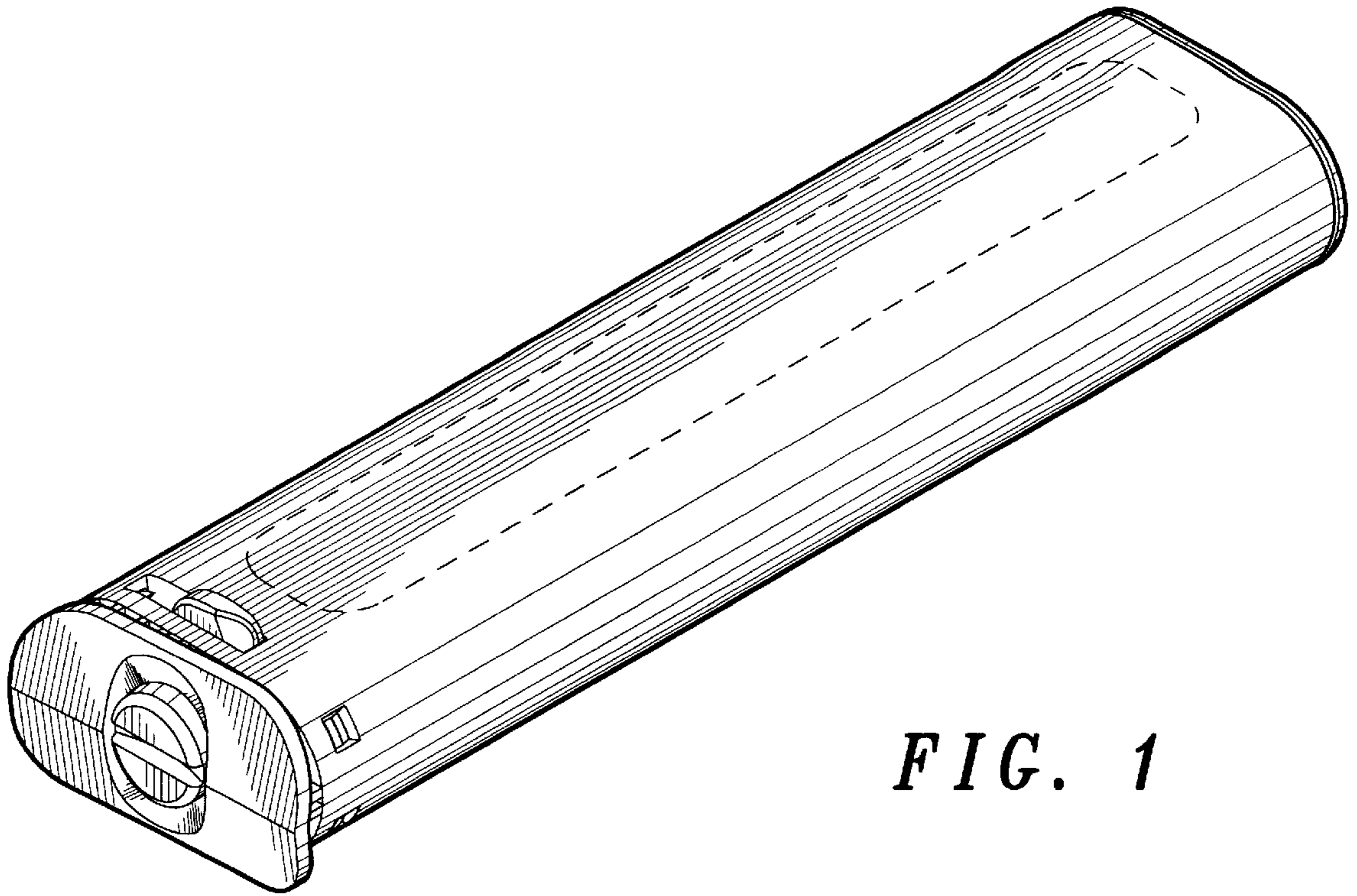
**DESCRIPTION**

FIG. 1 is an isometric view of a battery housing showing our new design;  
FIG. 2 is a front elevation view thereof;  
FIG. 3 is a rear elevation view thereof;  
FIG. 4 is a top plan view thereof;  
FIG. 5 is a bottom plan view thereof;  
FIG. 6 is a right side elevation view thereof; and,  
FIG. 7 is a left side elevation view.

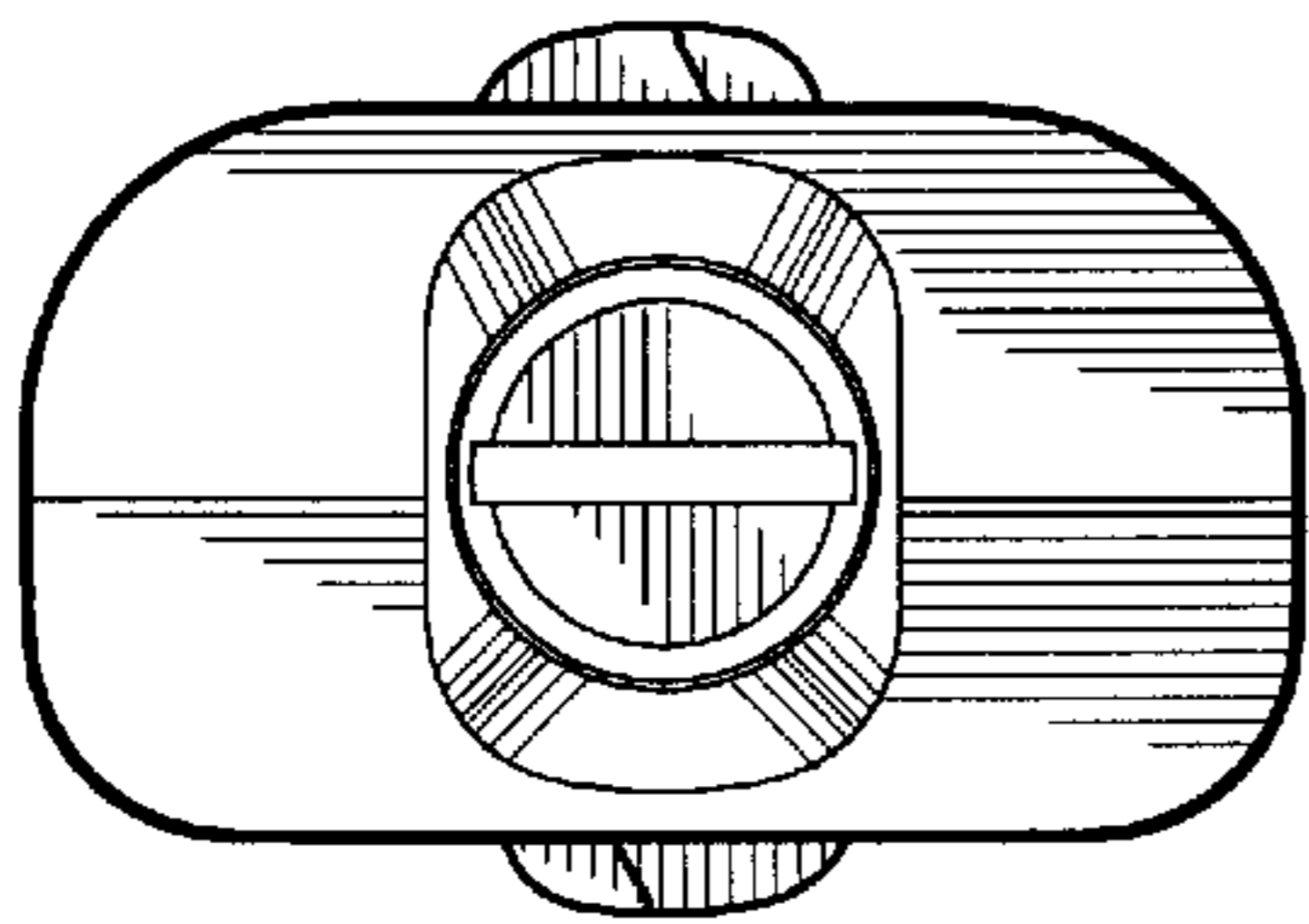
The broken line showing in FIGS. 1, 3 and 4 is included for the purpose of illustrating features or structure of the battery only and forms no part of the claimed design.

**1 Claim, 3 Drawing Sheets**

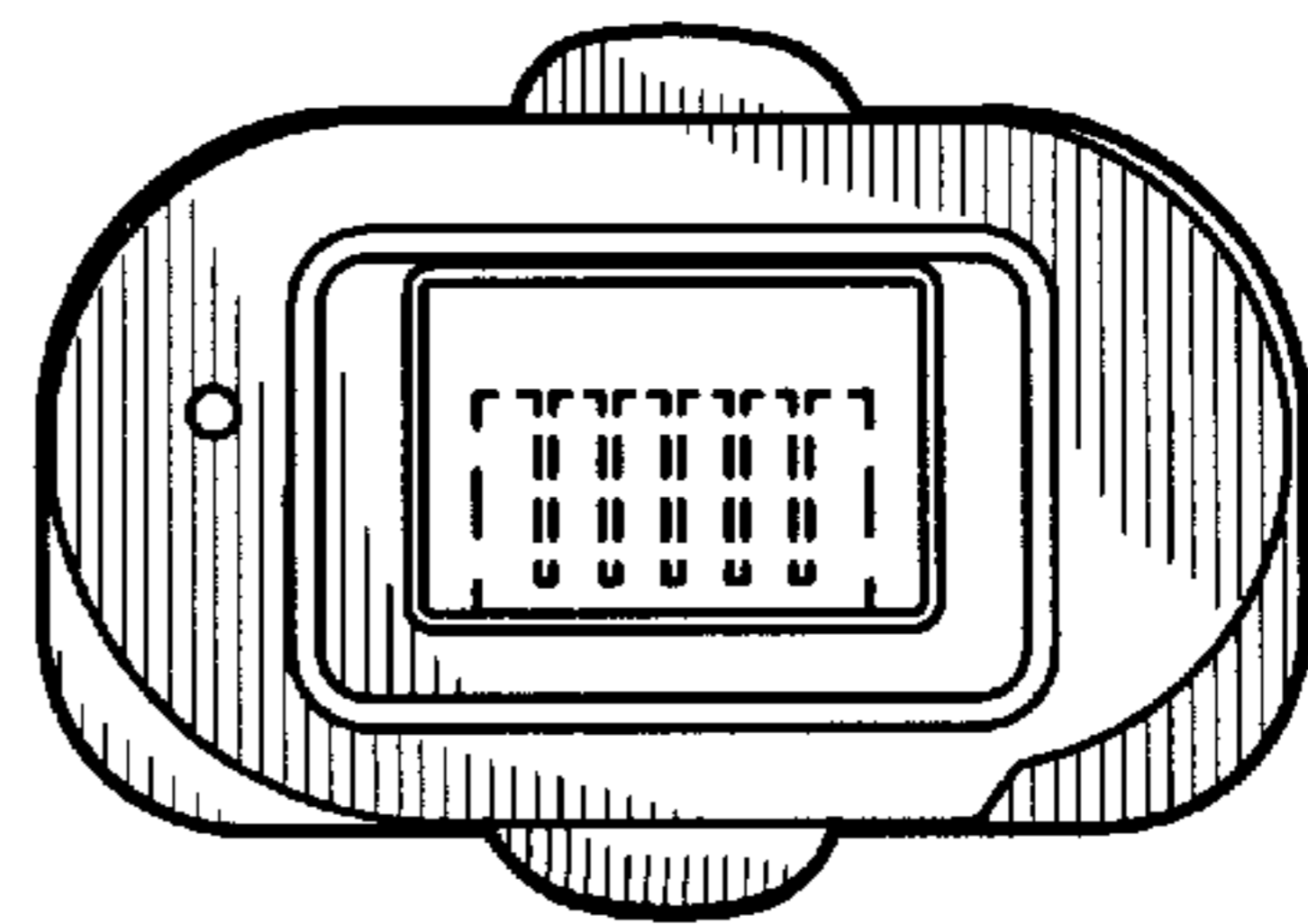




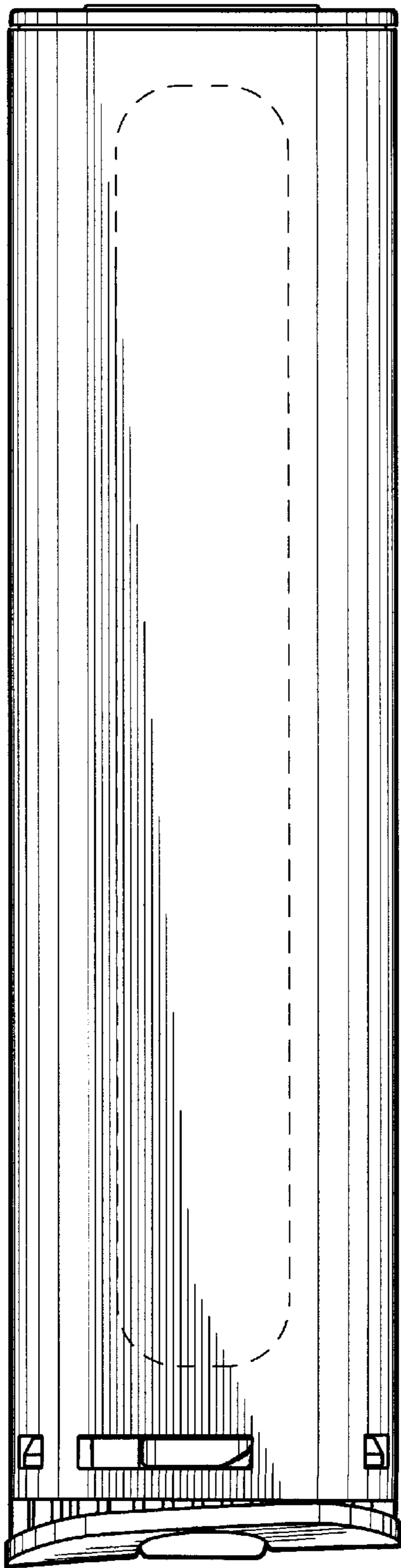
*FIG. 1*



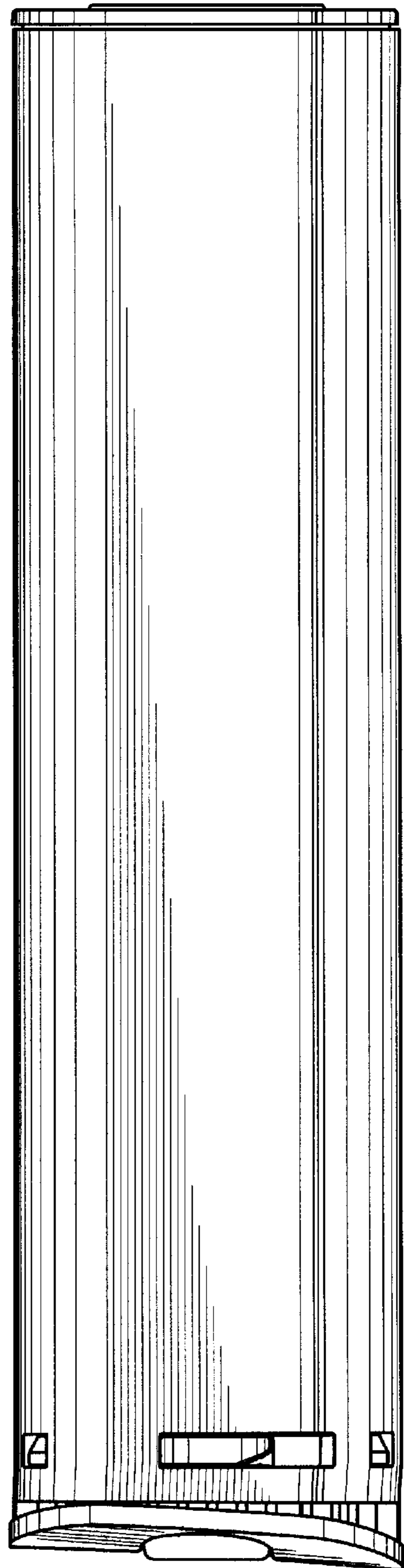
*FIG. 2*



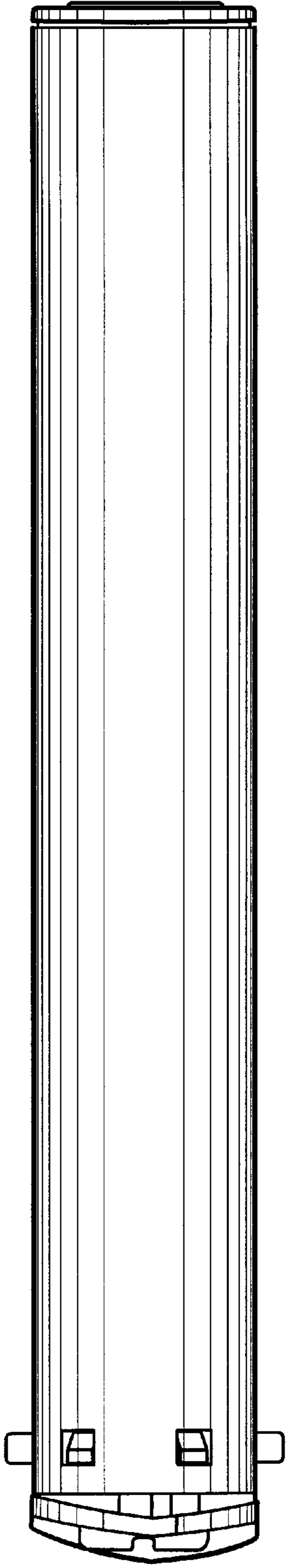
*FIG. 3*



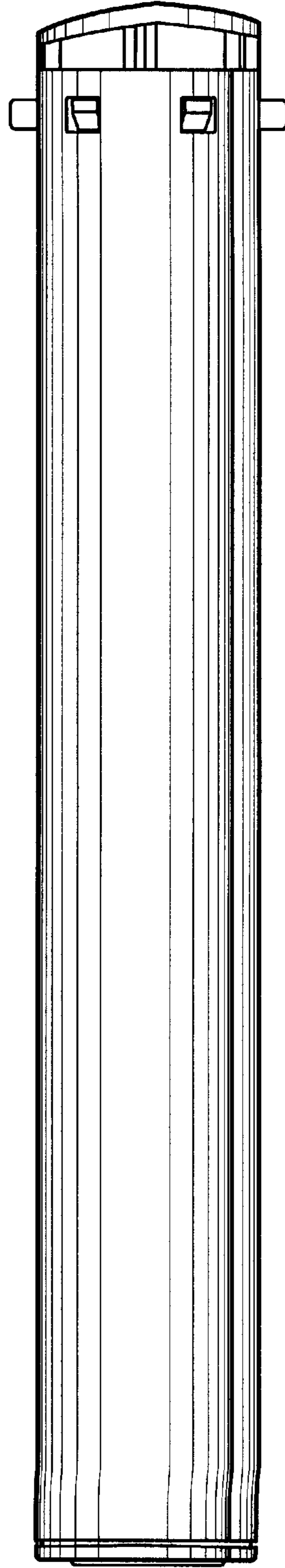
*FIG. 4*



*FIG. 5*



*FIG. 6*



*FIG. 7*