



US00D412485S

United States Patent [19]

Kato et al.

[11] Patent Number: **Des. 412,485**

[45] Date of Patent: **** Aug. 3, 1999**

[54] **BATTERY PACK**

[75] Inventors: **Yoichi Kato; Shingo Umemura**, both of Anjo, Japan

[73] Assignee: **Makita Corporation**, Aichi-ken, Japan

[**] Term: **14 Years**

[21] Appl. No.: **29/091,925**

[22] Filed: **Aug. 7, 1998**

[30] **Foreign Application Priority Data**

Feb. 10, 1998 [JP] Japan 10-3544

[51] **LOC (6) Cl.** **13-02**

[52] **U.S. Cl.** **D13/103**

[58] **Field of Search** D13/103; 429/96-100, 429/163, 176

[56] **References Cited**

U.S. PATENT DOCUMENTS

D. 384,639 10/1997 Kawakami et al. D13/103

D. 387,728 12/1997 Kawakami et al. D13/103
D. 397,991 9/1998 Kawakami et al. D13/103
5,213,913 5/1993 Anthony, III et al. 429/97

Primary Examiner—Joel Sincavage
Attorney, Agent, or Firm—Dennison, Meserole, Scheiner & Schultz

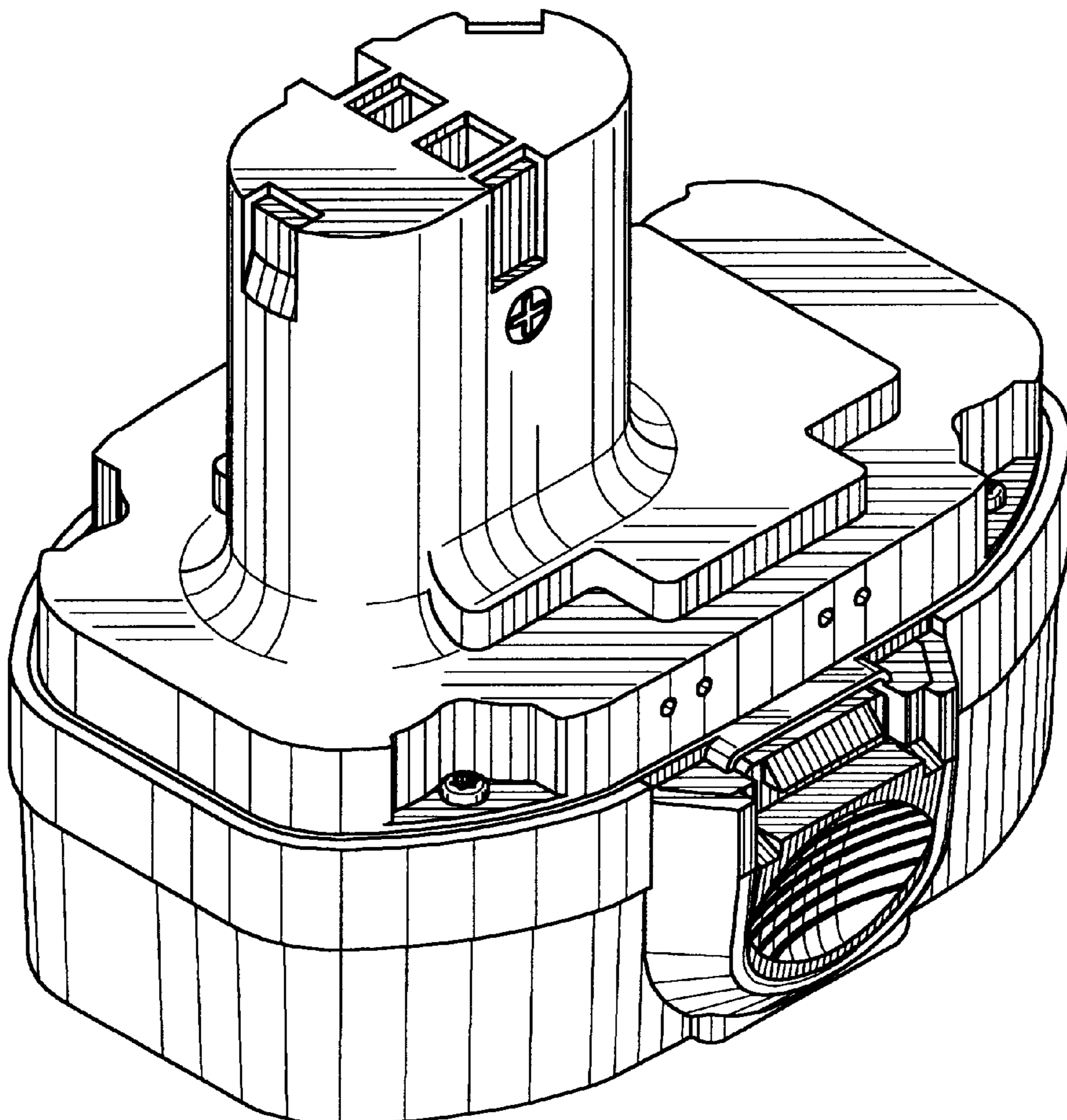
[57] **CLAIM**

The ornamental design for a battery pack, as shown and described.

DESCRIPTION

FIG. 1 is a perspective view of a battery pack showing our new design;
FIG. 2 is a front elevation view thereof;
FIG. 3 is a rear elevation view thereof;
FIG. 4 is a left side elevation view thereof;
FIG. 5 is a right side elevation view thereof;
FIG. 6 is a top plan view thereof; and,
FIG. 7 is a bottom view thereof.

1 Claim, 4 Drawing Sheets



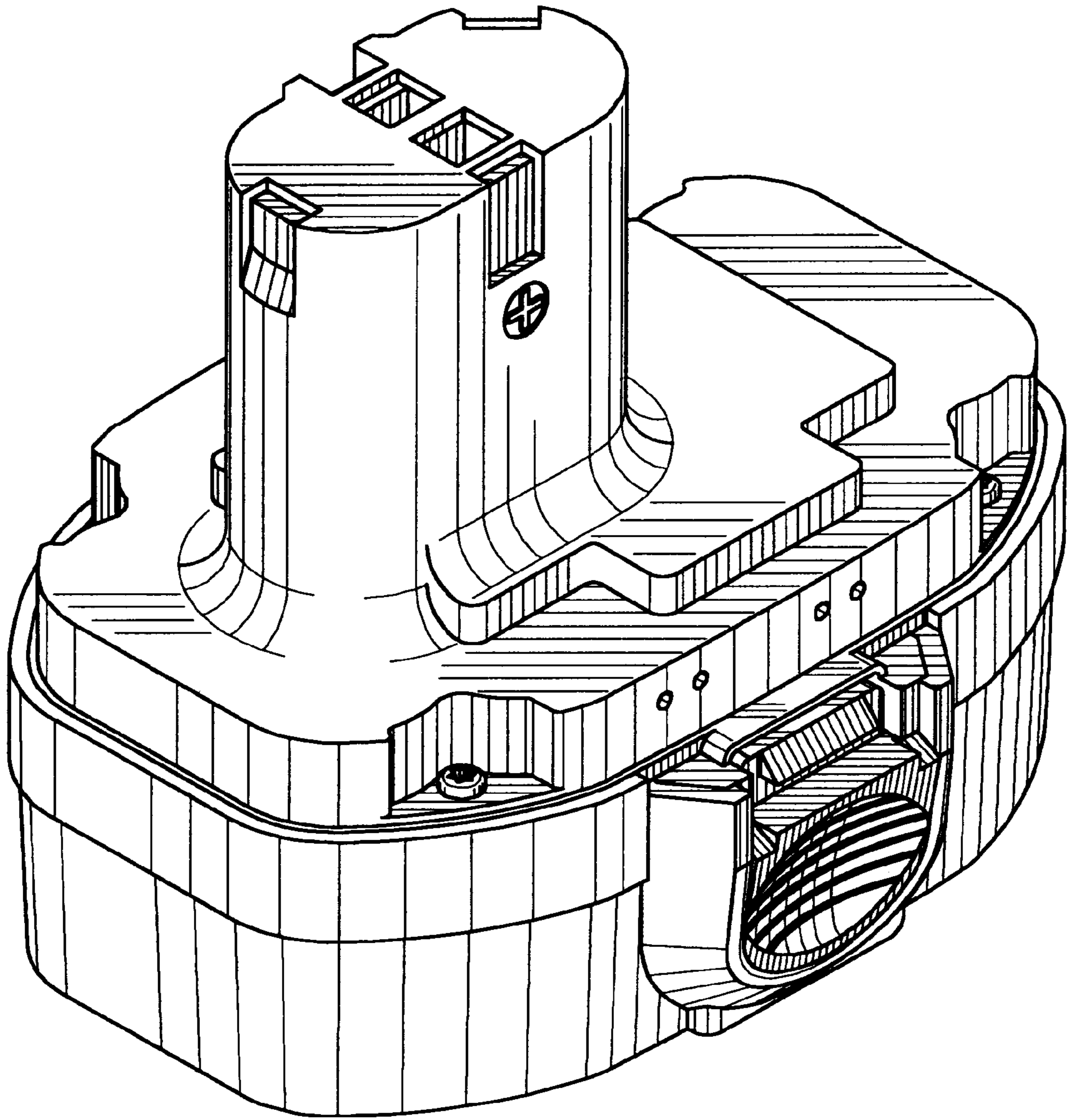


FIG. 1

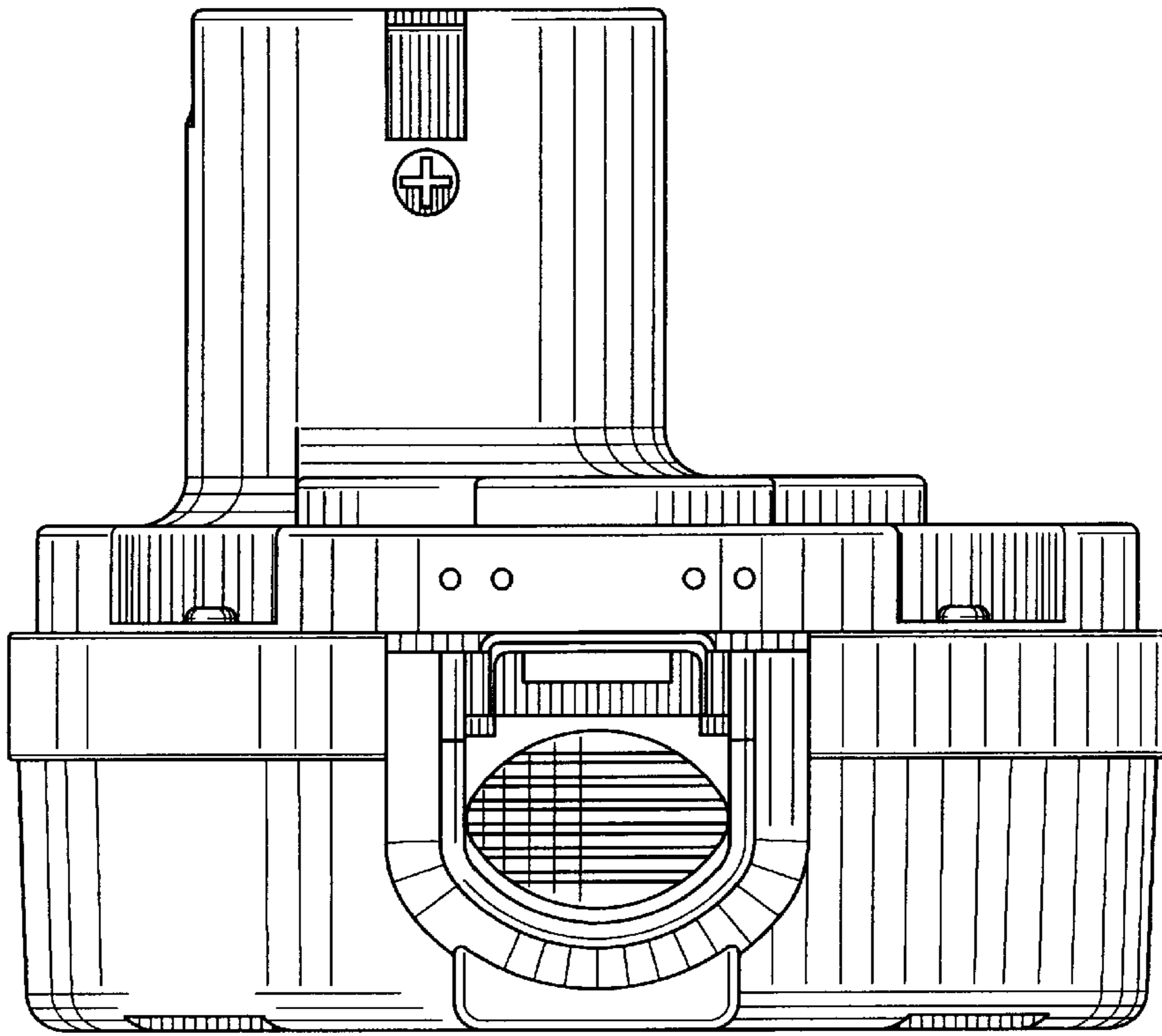


FIG. 2

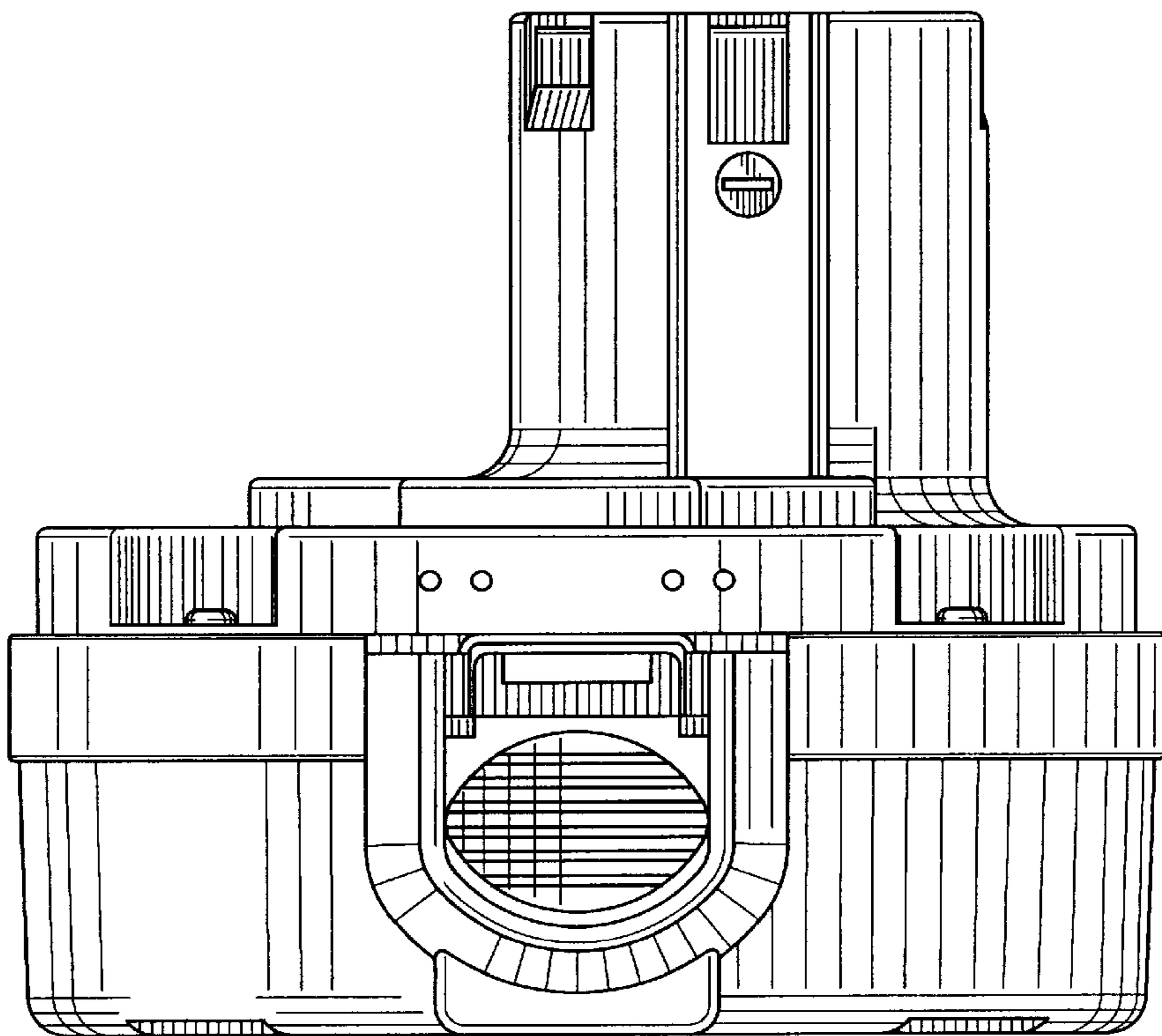


FIG. 3

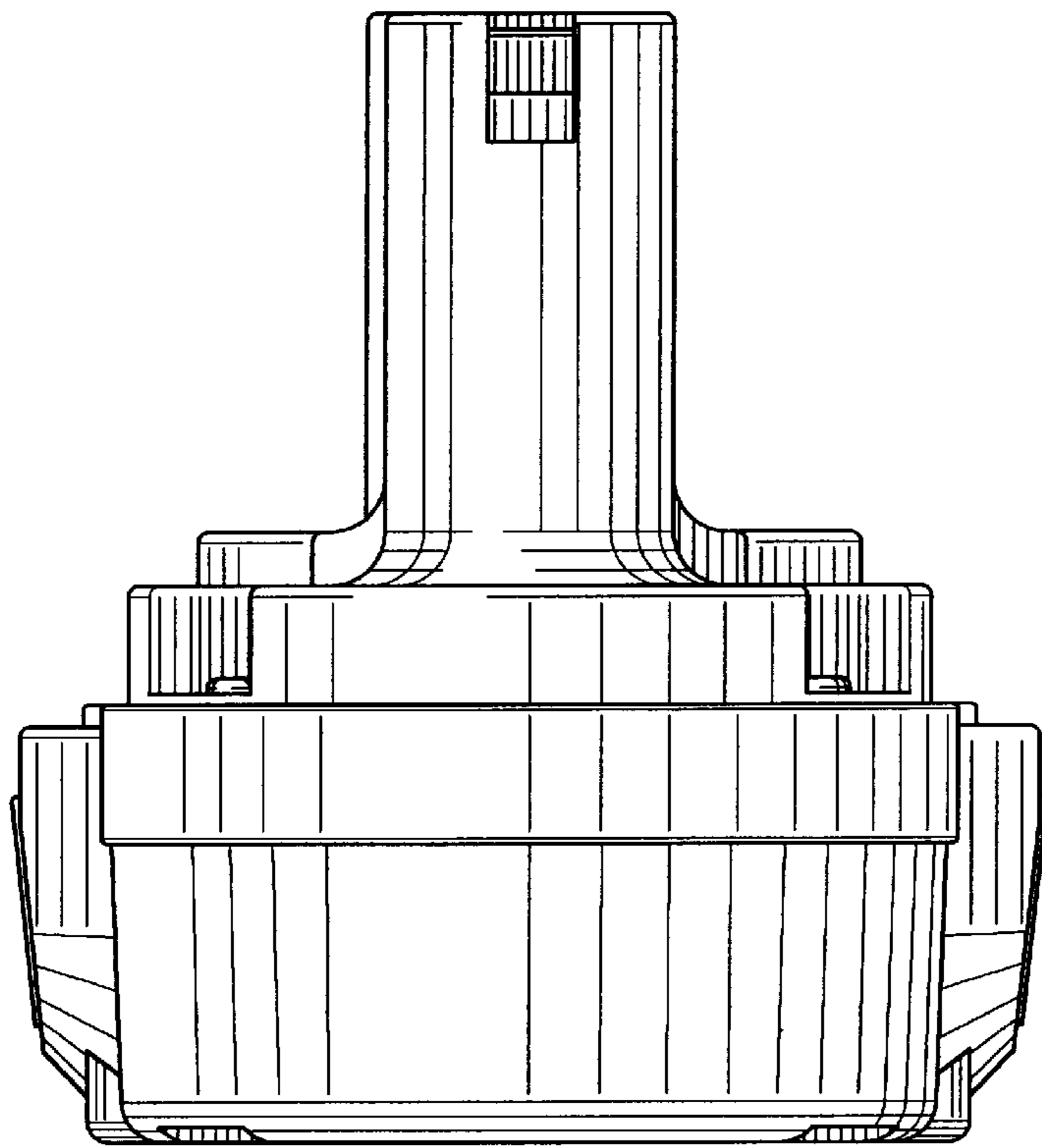


FIG. 4

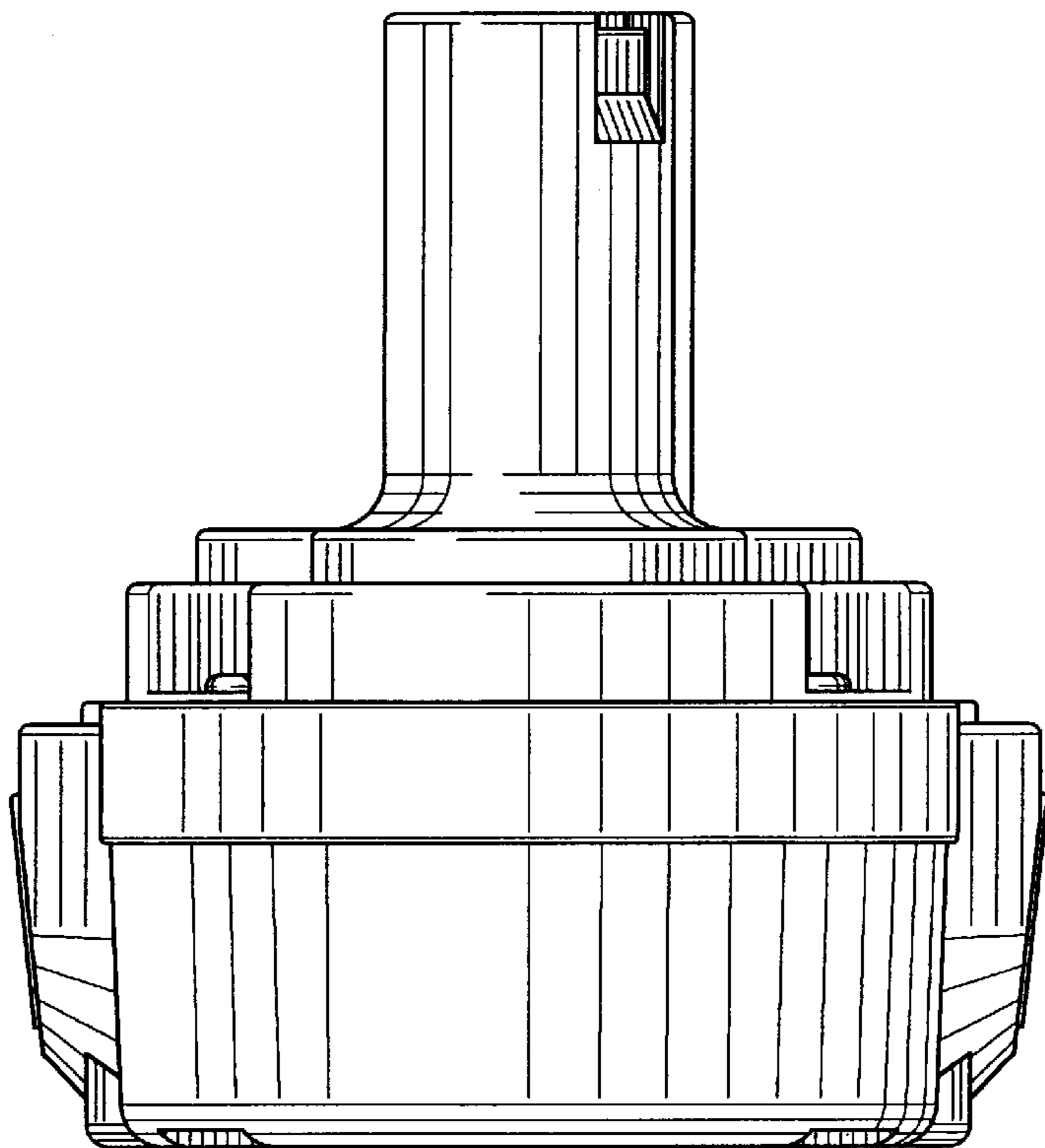


FIG. 5

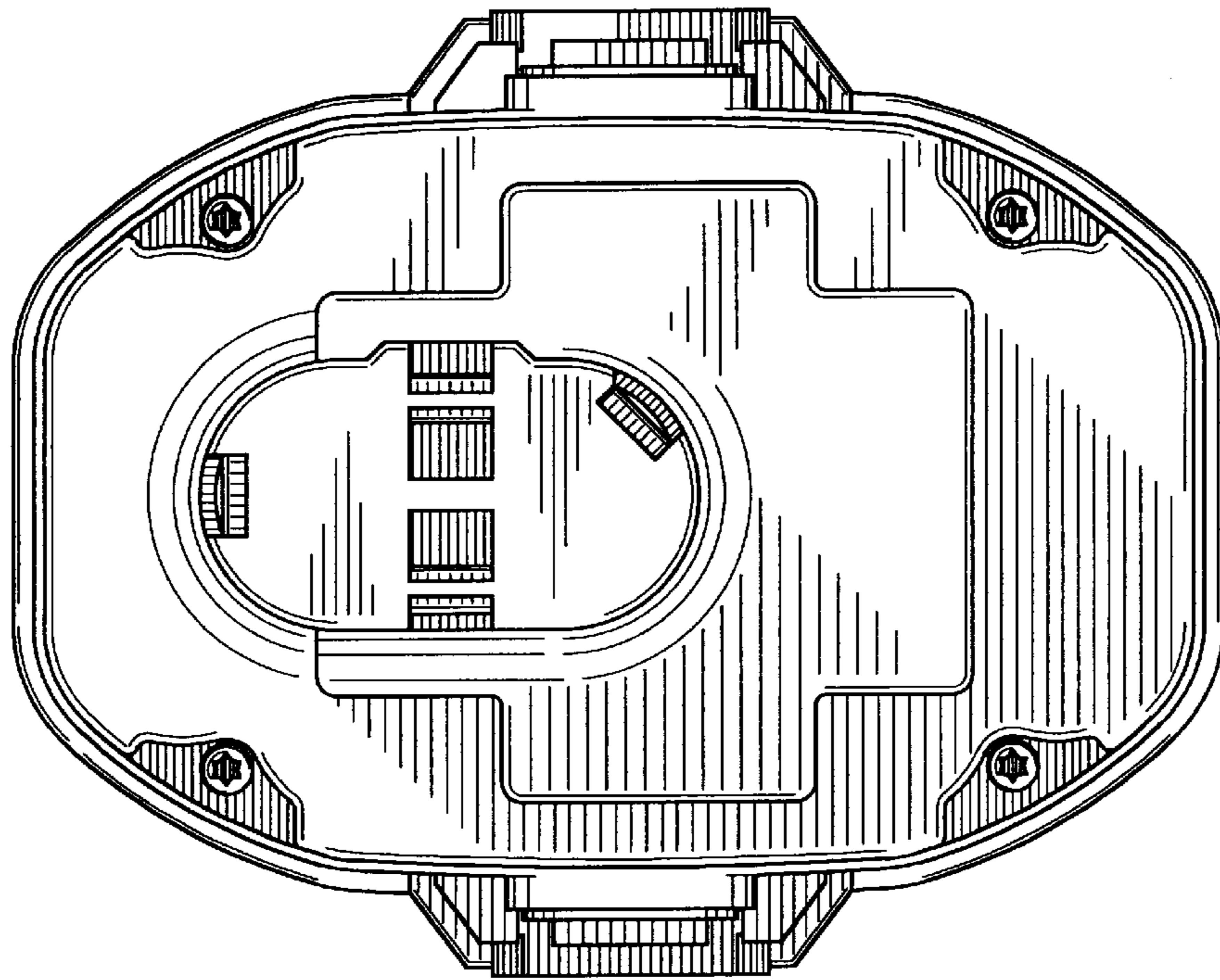


FIG. 6

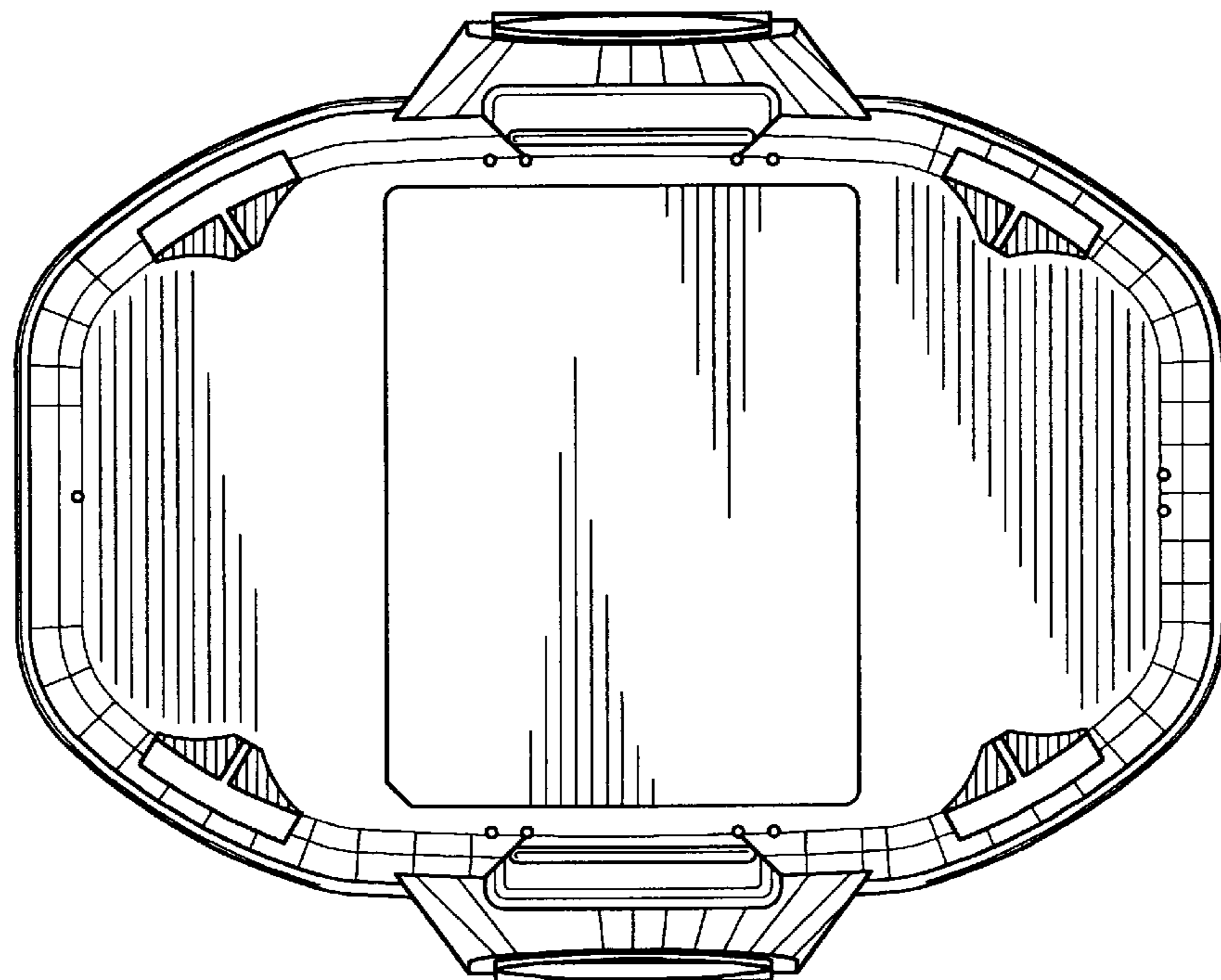


FIG. 7