



US00D412482S

United States Patent [19] Chen

[11] **Patent Number: Des. 412,482**

[45] **Date of Patent: ** Aug. 3, 1999**

[54] **VEHICLE-ATTACHED BICYCLE RACK**

5,195,670 3/1993 Piretti et al. 224/500
5,363,996 11/1994 Raaber et al. 224/500

[76] Inventor: **Jenn Tzong Chen**, 58, Ma Yuan West St., Taichung, Taiwan

Primary Examiner—Pamela Burgess

[**] Term: **14 Years**

[57] **CLAIM**

[21] Appl. No.: **29/096,840**

The ornamental design for a vehicle-attached bicycle rack, as shown and described.

[22] Filed: **Nov. 20, 1998**

DESCRIPTION

[51] **LOC (6) Cl.** **12-16**

FIG. 1 is a perspective view of a vehicle-attached bicycle rack showing my new design;

[52] **U.S. Cl.** **D12/408**

FIG. 2 is a front elevational view thereof;

[58] **Field of Search** D12/408, 407, D12/406; 224/500-507, 515, 532-537, 917.5, 924, 314; 211/17-22; 280/415.1

FIG. 3 is a rear elevational view thereof;

FIG. 4 is a left side elevational view thereof.

FIG. 5 is a right side elevational view thereof;

FIG. 6 is a top plan view thereof; and,

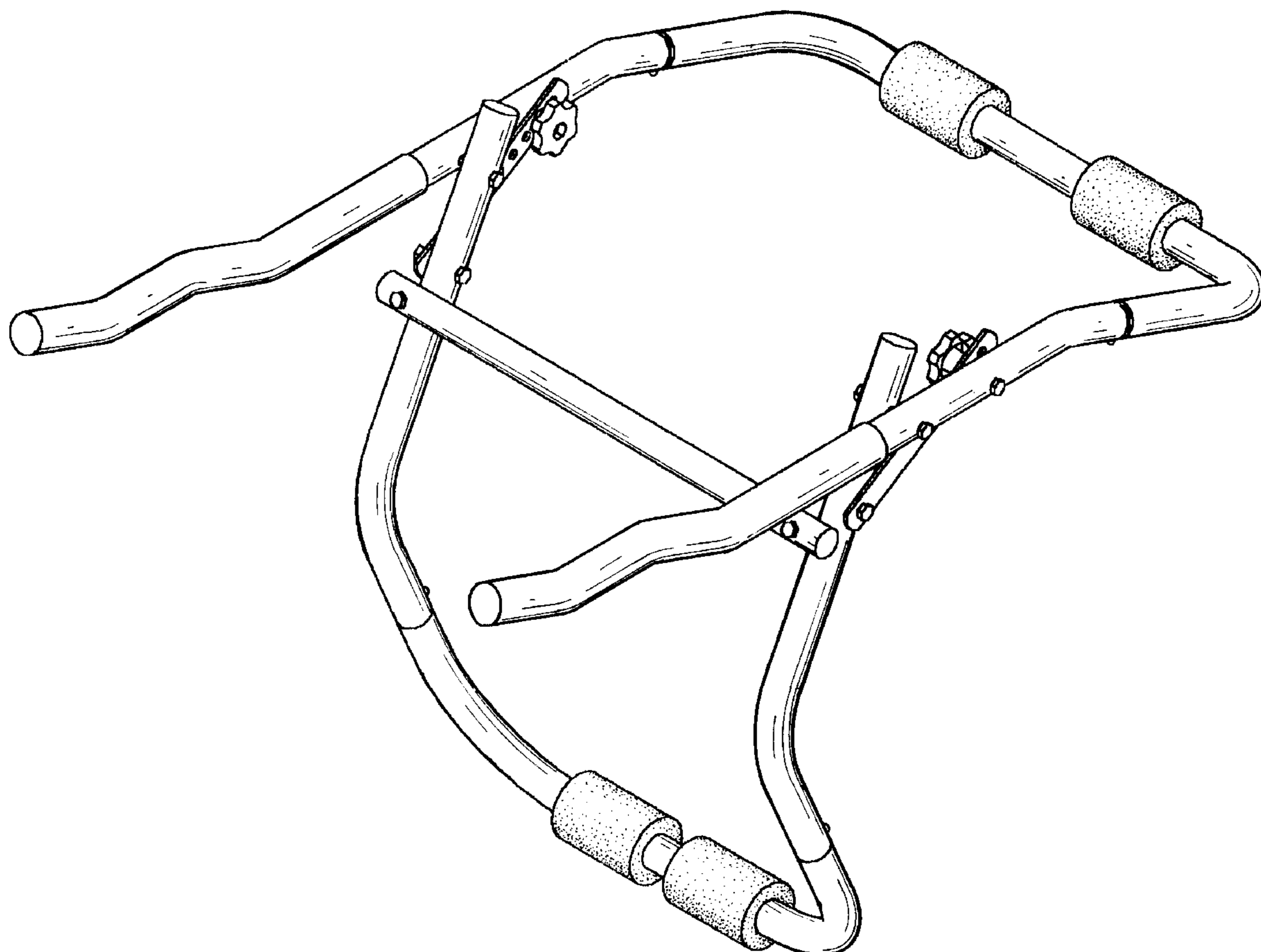
FIG. 7 is a bottom plan view thereof.

[56] **References Cited**

U.S. PATENT DOCUMENTS

D. 329,035 9/1992 Blackburn et al. D12/408
4,428,516 1/1984 Allen 224/314

1 Claim, 7 Drawing Sheets



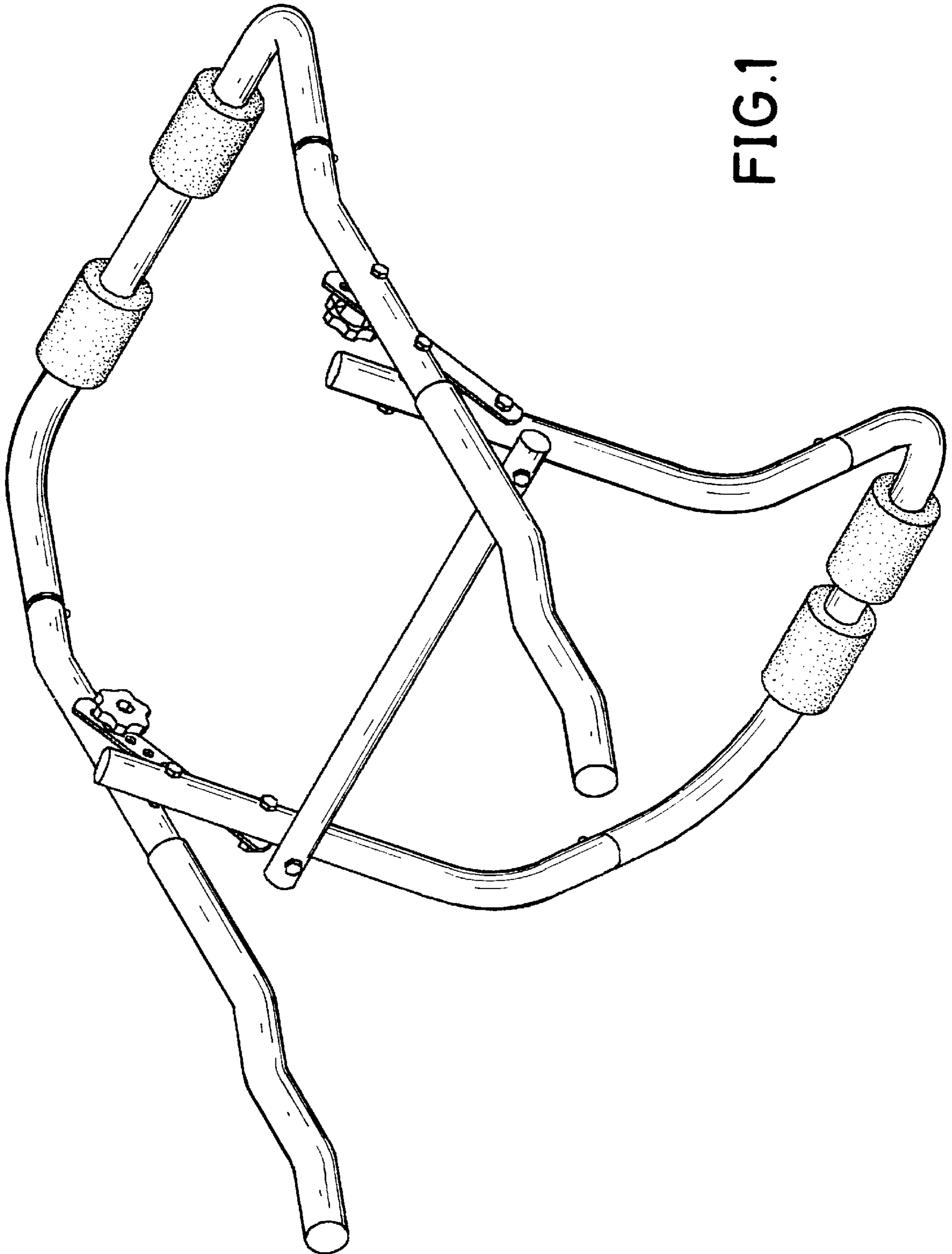


FIG. 1

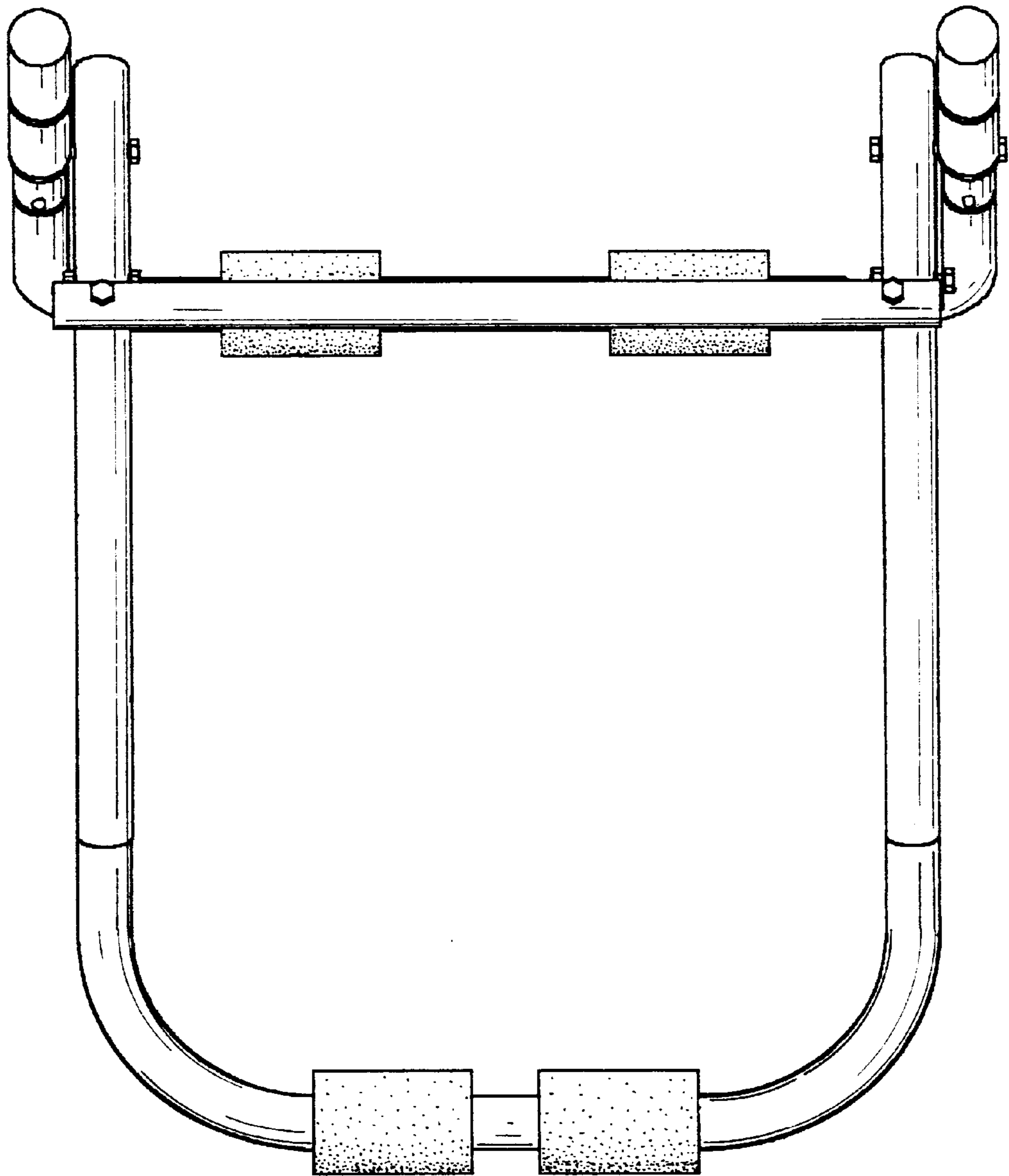


FIG.2

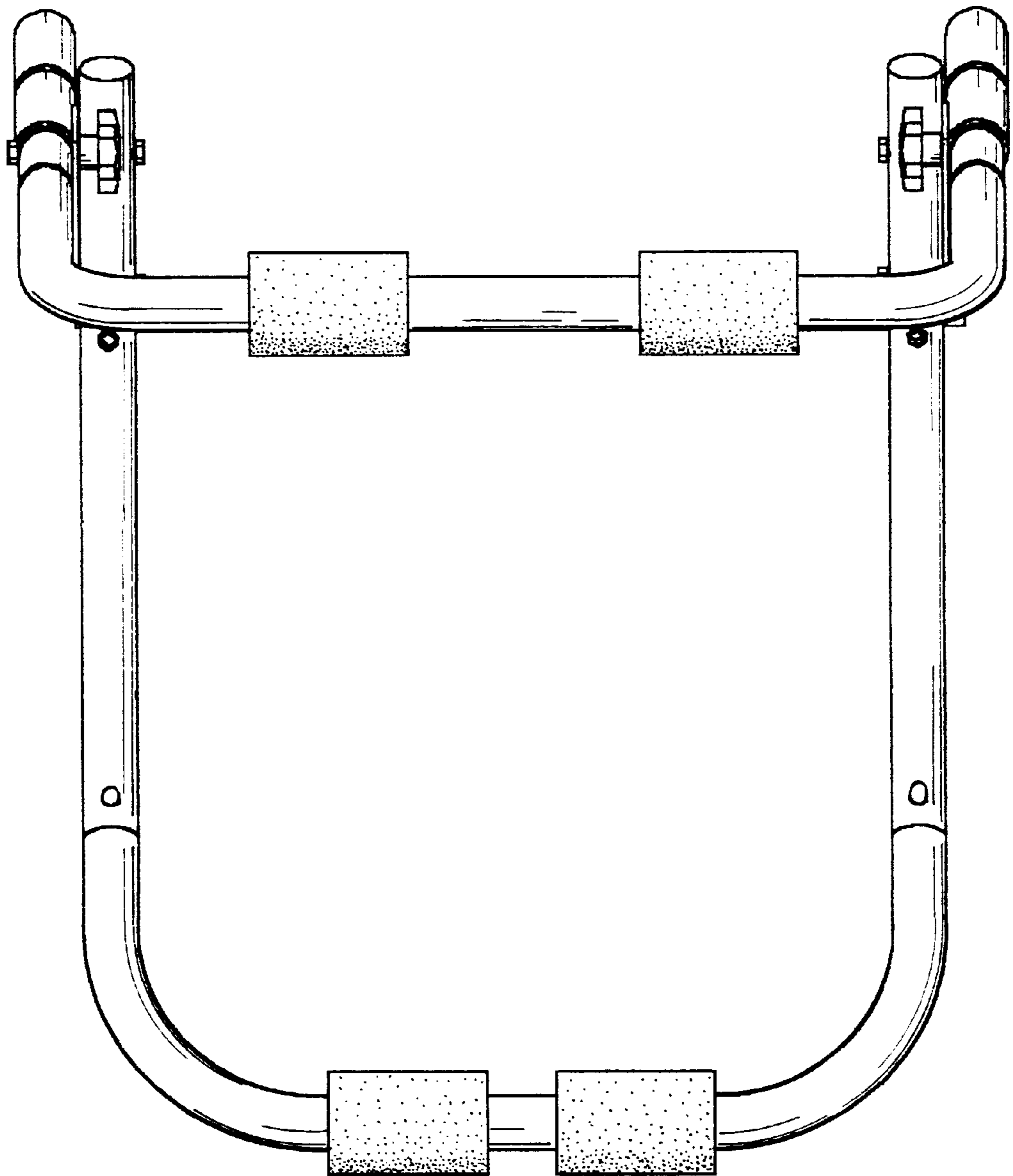


FIG. 3

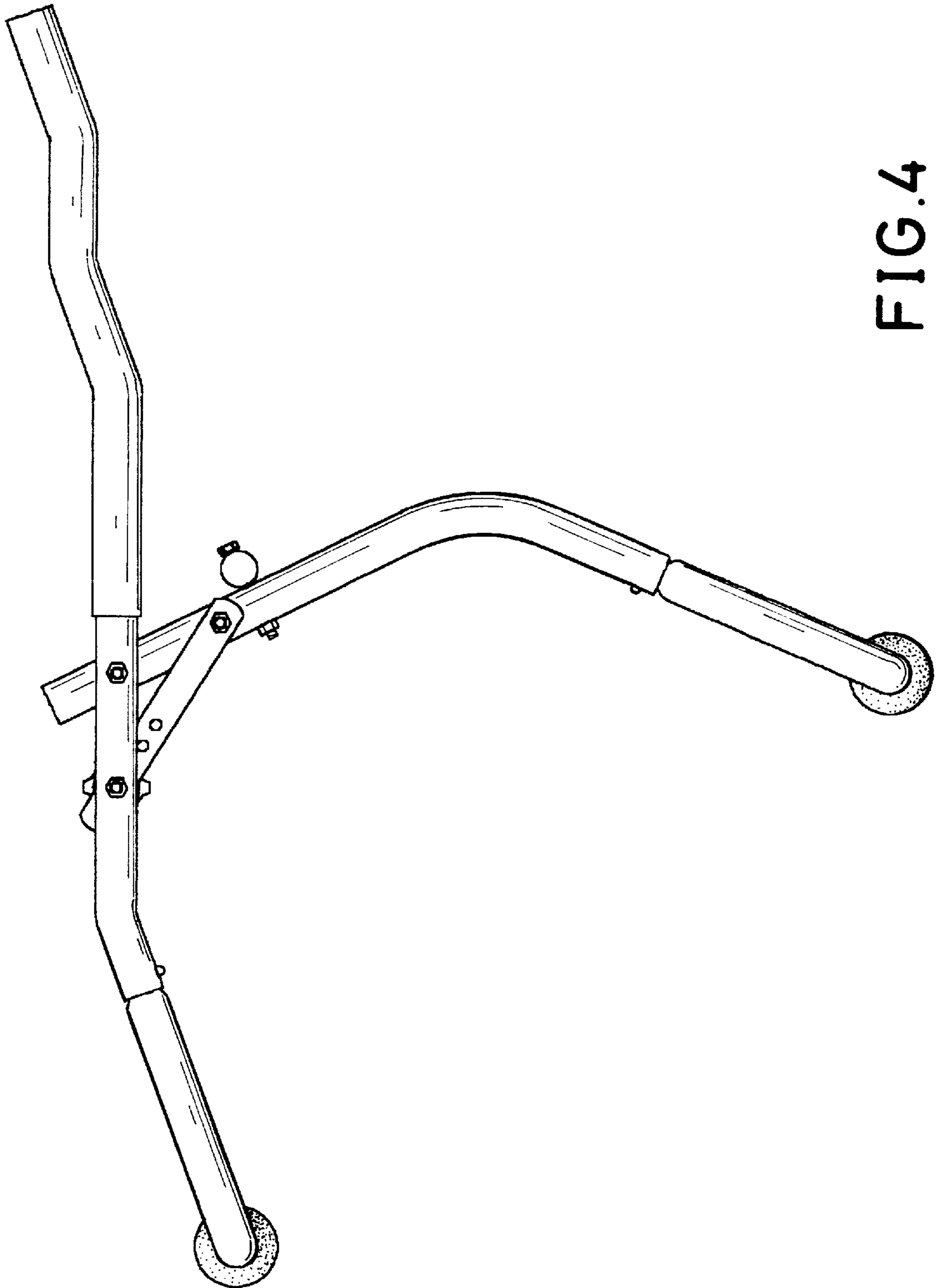


FIG. 4

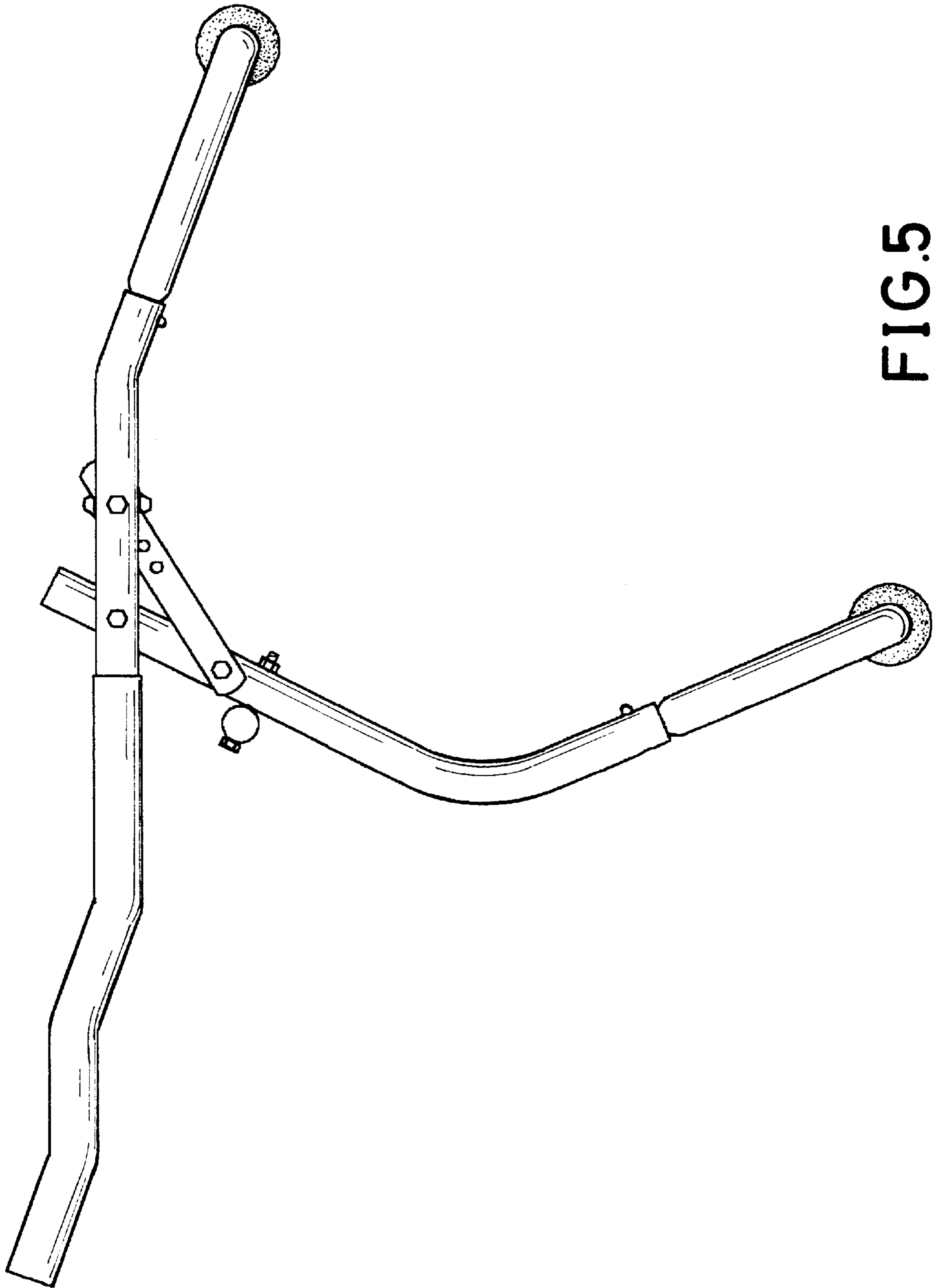


FIG. 5

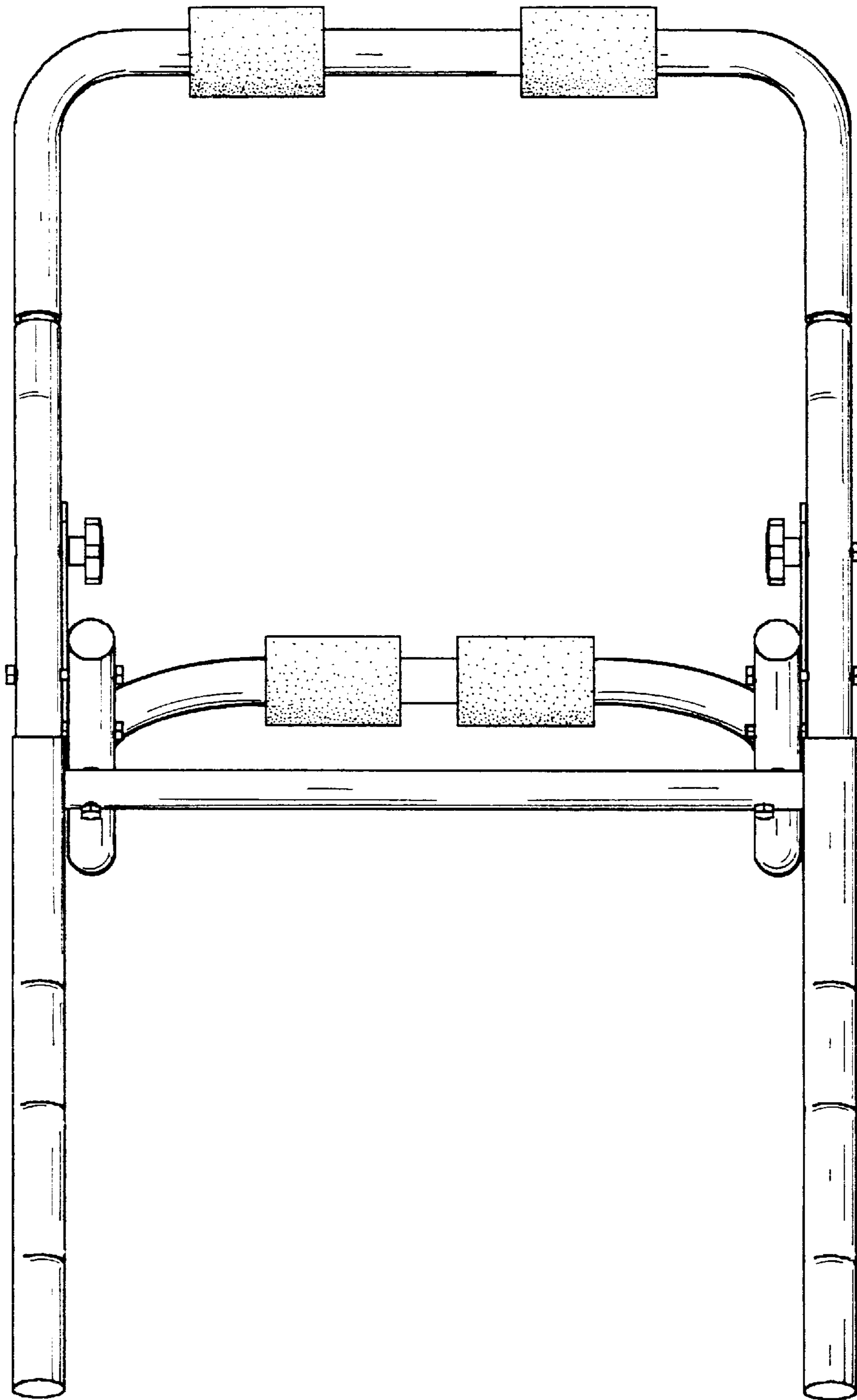


FIG.6

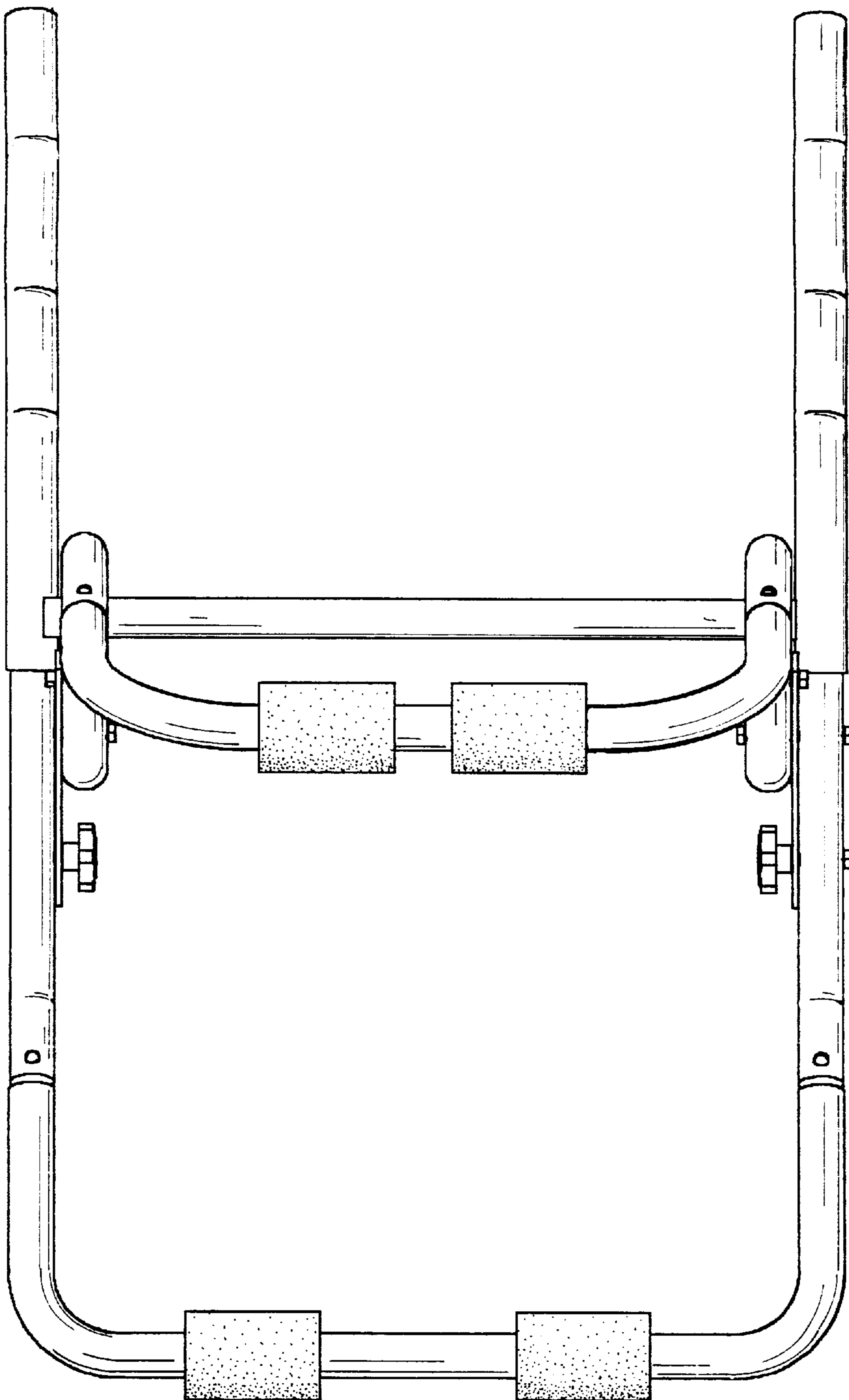


FIG. 7