



US00D412479S

United States Patent [19]

Sacco et al.

[11] Patent Number: **Des. 412,479**

[45] Date of Patent: **** Aug. 3, 1999**

[54] **FRONT FACE OF A VEHICLE WHEEL**

[75] Inventors: **Bruno Sacco**, Sindelfingen; **Peter Pfeiffer**, Boblingen, both of Germany

[73] Assignee: **Daimler-Benz AG**, Stuttgart, Germany

[**] Term: **14 Years**

[21] Appl. No.: **29/074,558**

[22] Filed: **Aug. 7, 1997**

[30] **Foreign Application Priority Data**

Feb. 7, 1997 [DE] Germany M 97 01 190.8

[51] **LOC (6) Cl.** **12-16**

[52] **U.S. Cl.** **D12/209**

[58] **Field of Search** D12/204-213;
301/64.1, 65, 37.1

[56] **References Cited**

U.S. PATENT DOCUMENTS

- D. 302,264 7/1989 Soederberg D12/209
- D. 336,886 6/1993 Mikawa D12/211
- D. 374,646 10/1996 Abbott D12/209

- D. 375,074 10/1996 Sacco et al. D12/209
- D. 375,286 11/1996 Abbott D12/209
- D. 384,026 9/1997 Chrysanto D12/209
- D. 384,027 9/1997 Roesianto D12/209
- D. 389,112 1/1998 Chung D12/209
- D. 391,913 3/1998 Chung D12/209

Primary Examiner—James Gandy
Assistant Examiner—Stacia Sinuik
Attorney, Agent, or Firm—Evenson, McKeown, Edwards & Lenahan, PLLC

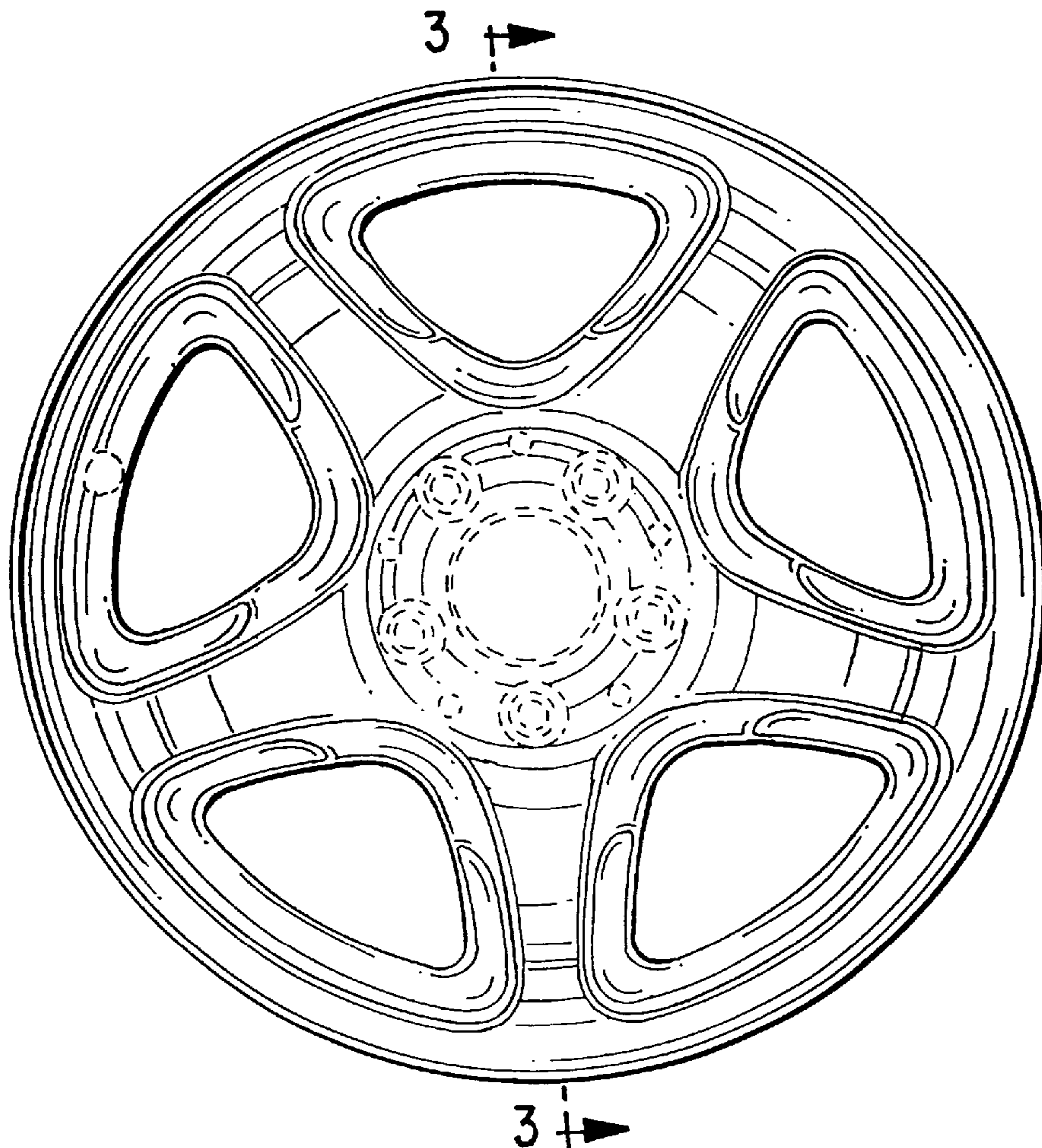
[57] **CLAIM**

The ornamental design for a front face of a vehicle wheel, as shown and described.

DESCRIPTION

FIG. 1 is a front view of a front face of a vehicle wheel according to our novel design;
FIG. 2 is a perspective view of the front face of a vehicle wheel; and,
FIG. 3 is a section view taken along line 3—3 in FIG. 1. Features shown in dash lines depict the environment and do not form part of the claimed design.

1 Claim, 2 Drawing Sheets



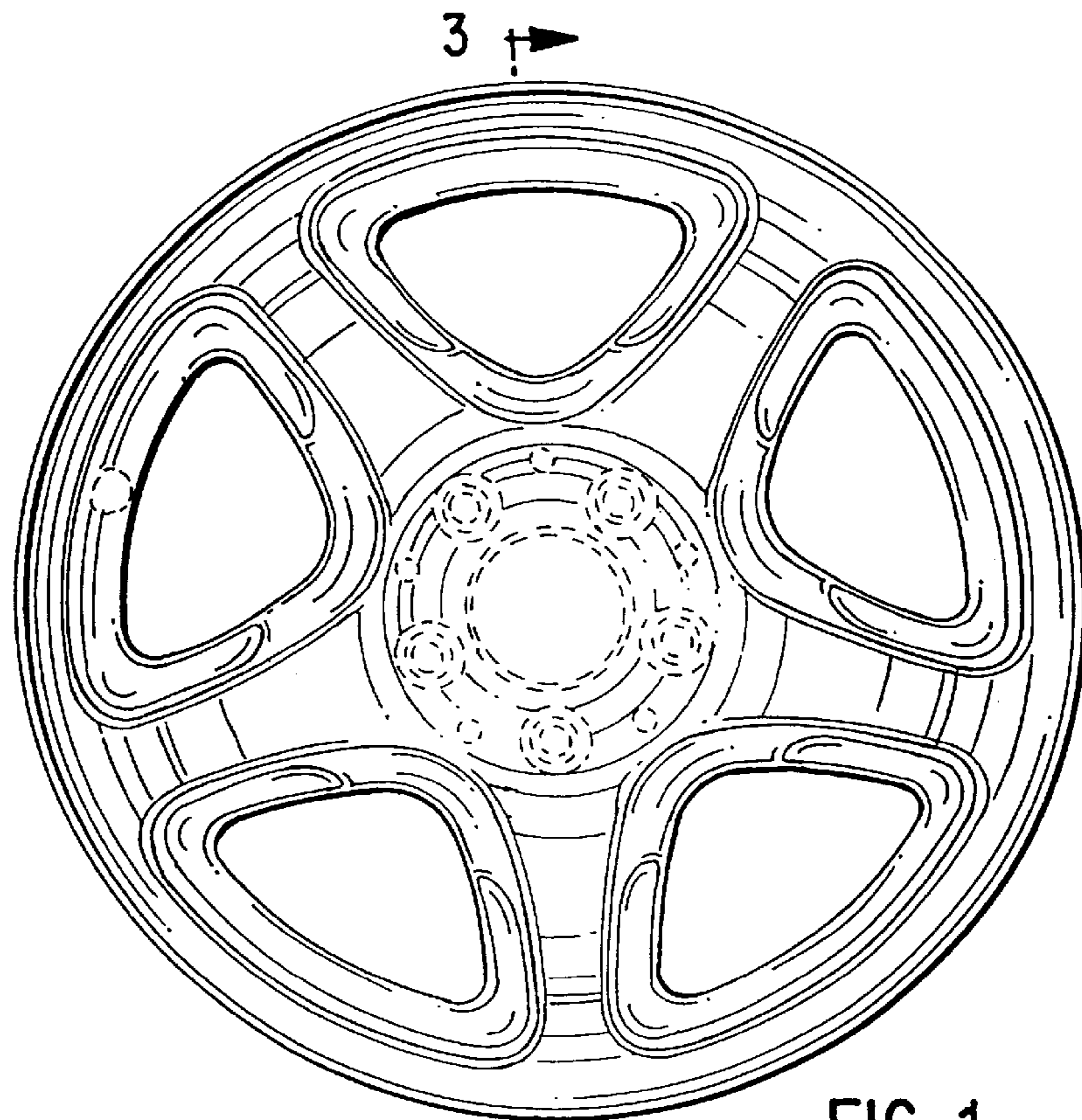


FIG. 1

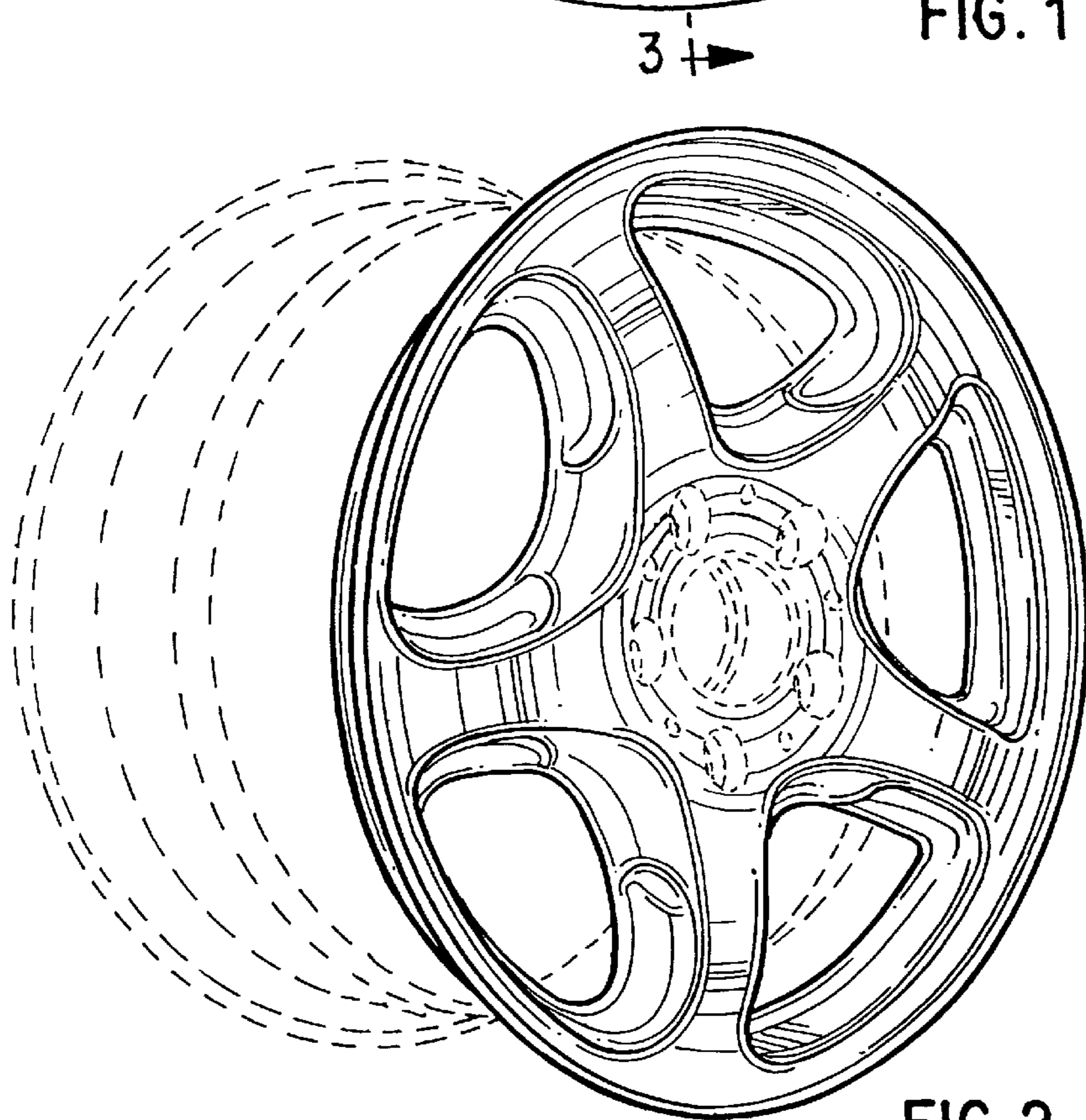


FIG. 2

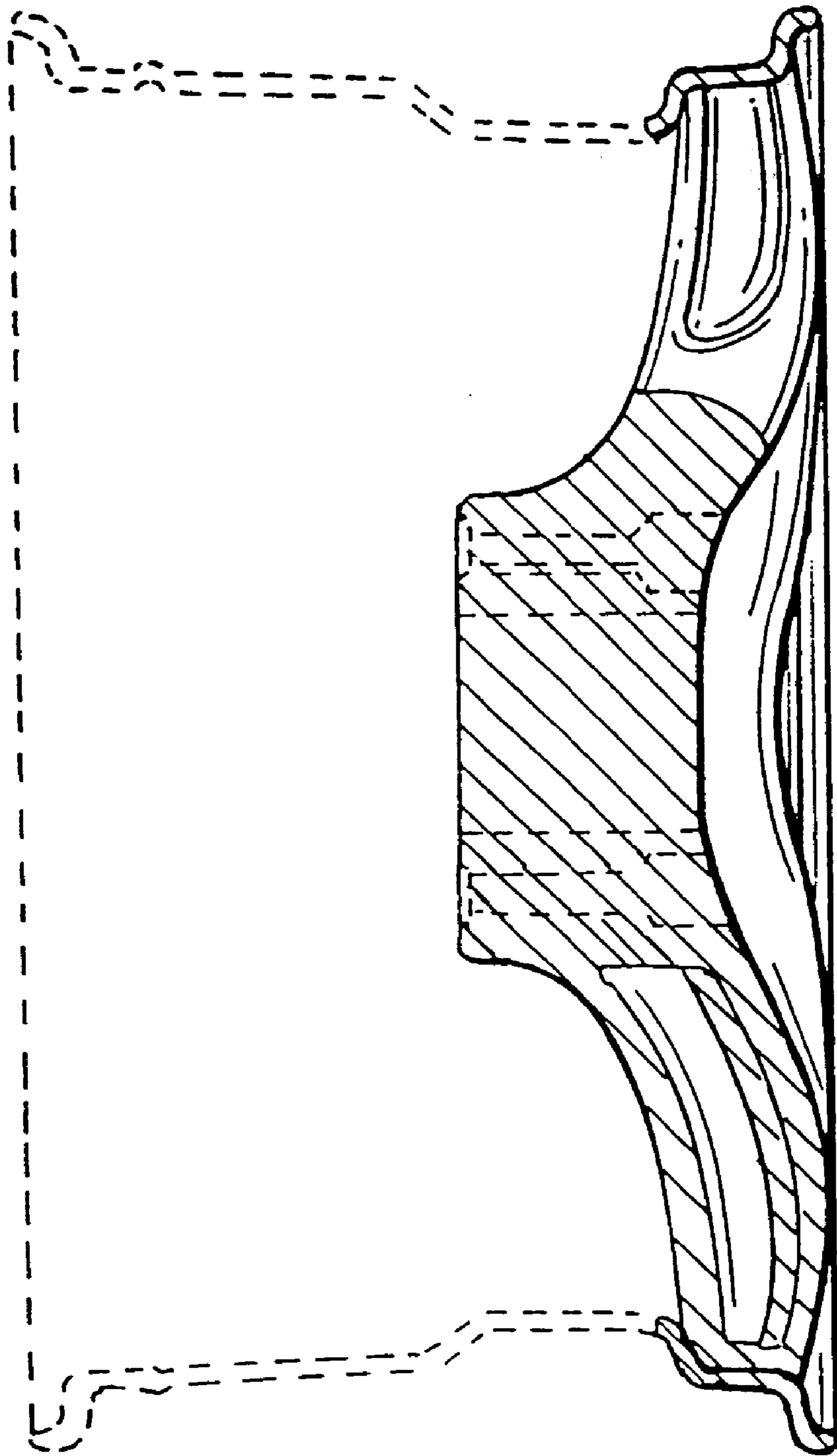


FIG. 3