



US00D412476S

United States Patent [19]
Clementz et al.

[11] **Patent Number: Des. 412,476**
[45] **Date of Patent: ** Aug. 3, 1999**

[54] **DECORATIVE BAND FOR A TIRE
SIDEWALL**

[75] Inventors: **Michel Clementz**, Arlon, Belgium;
Raymond Merx, Lunglinster; **Gilbert
Feller**, Burden, both of Luxembourg

[73] Assignee: **The Goodyear Tire & Rubber
Company**, Akron, Ohio

[**] Term: **14 Years**

[21] Appl. No.: **29/041,958**

[22] Filed: **Jul. 27, 1995**

[51] **LOC (6) Cl.** **12-15**

[52] **U.S. Cl.** **D12/152**

[58] **Field of Search** D12/152; 152/523-525

[56] **References Cited**

U.S. PATENT DOCUMENTS

D. 91,322	1/1934	James	D12/152
D. 171,451	2/1954	Kraft	.	
D. 204,585	4/1966	Vizina, Jr.	D90/20
D. 270,723	9/1983	McDonald	D12/152
D. 367,456	2/1996	Scarpitti et al.	D12/152
1,448,286	3/1923	Comstock	.	
1,635,077	7/1927	Erskine	.	
2,082,928	6/1937	Wilhelmy	.	
2,807,564	9/1957	Mitchell	.	
4,155,393	5/1979	Grawey	D12/152 X
4,198,774	4/1980	Roberts et al.	40/587
4,343,342	8/1982	McDonald	D12/152 X
4,625,101	11/1986	Hinks et al.	235/462
4,900,378	2/1990	Wistehuff	156/63
5,303,758	4/1994	Clementz et al.	152/523

FOREIGN PATENT DOCUMENTS

4111345	11/1991	Germany	B60C 13/00
138775	9/1920	United Kingdom	.	
330432	12/1930	United Kingdom	.	
2010755	7/1979	United Kingdom	B60C 13/00

Primary Examiner—James Gandy
Assistant Examiner—Stacia Sinuik

Attorney, Agent, or Firm—David L King

[57] **CLAIM**

The ornamental design for a decorative band for a tire sidewall, as shown and described.

DESCRIPTION

FIG. 1 is a perspective view of a decorative band for a tire sidewall showing my new design, the band being a background pattern for indicia or lettering to be placed, it being understood that the broken line showing of the remainder of the tire is for illustrative purposes only and forms no part of the claimed design;

FIG. 2 is an enlarged fragmentary perspective view thereof;

FIG. 3 is a side elevation view thereof;

FIGS. 4 and 5 are enlarged cross-sectional views thereof taken along lines 4—4 and 5—5 of FIG. 3;

FIG. 6 is a perspective view of a decorative band for a tire sidewall showing a second embodiment, the band being a background pattern for indicia or lettering to be placed, it being understood that the broken line showing of the remainder of the tire is for illustrative purposes only and forms no part of the claimed design;

FIG. 7 is an enlarged fragmentary perspective view thereof;

FIG. 8 is a side elevation view thereof;

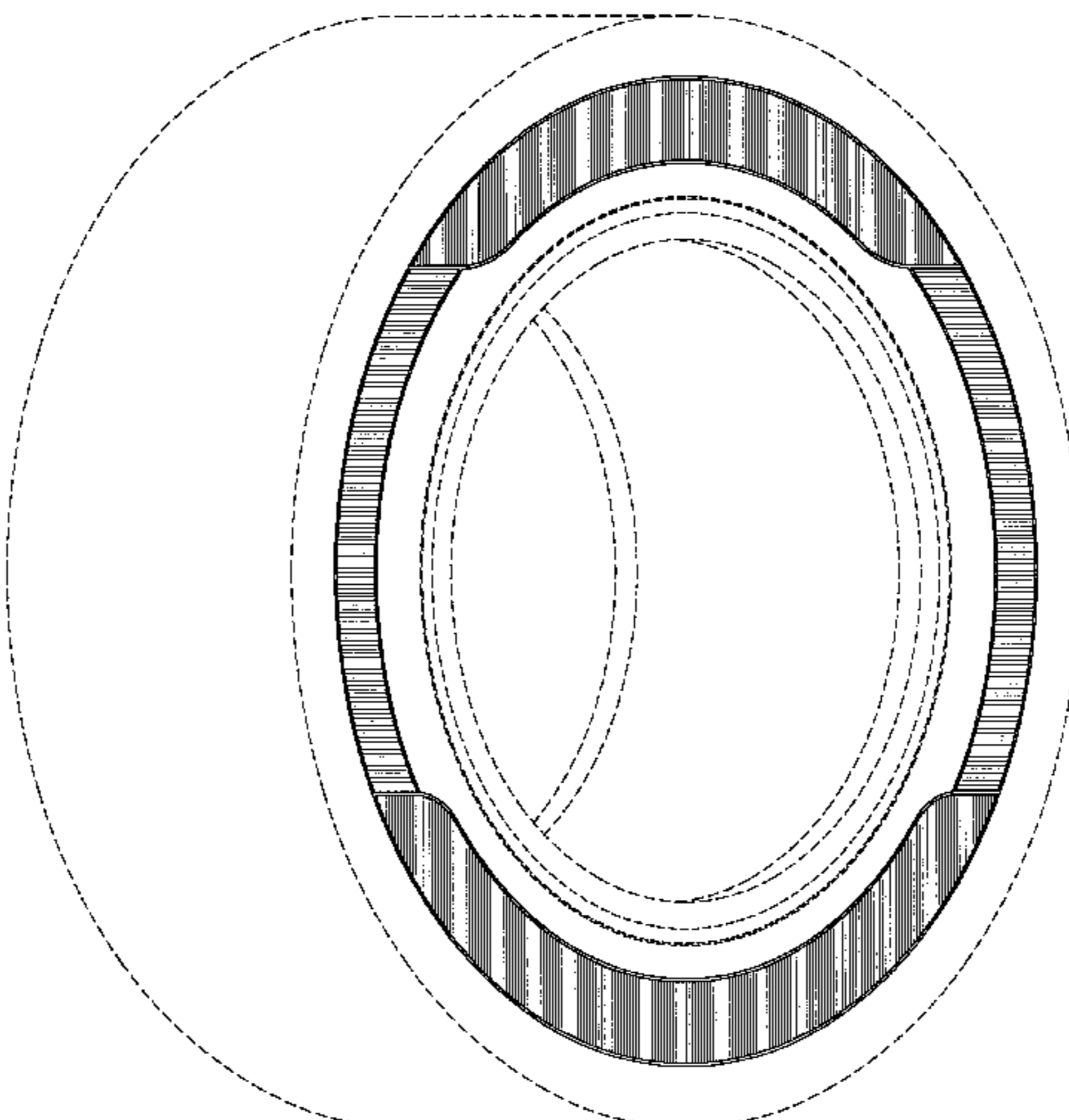
FIGS. 9 and 10 are enlarged cross-sectional views thereof taken along lines 9—9 and 10—10 of FIG. 8;

FIG. 11 is an enlarged fragmentary side elevation view of the first embodiment showing serrated lettering on the band in broken lines for illustrative purposes only and form no part of the claimed design; and,

FIG. 12 is an enlarged fragmentary side elevation view of the first embodiment with solid lettering on the band in broken lines for illustrative purposes only and form no part of the claimed design.

The broken line showing of the tire sidewall and the innermost line outside of it to define the peripheral boundary of the band in the drawings are for illustrative purposes only and form no part of the claimed design.

1 Claim, 9 Drawing Sheets



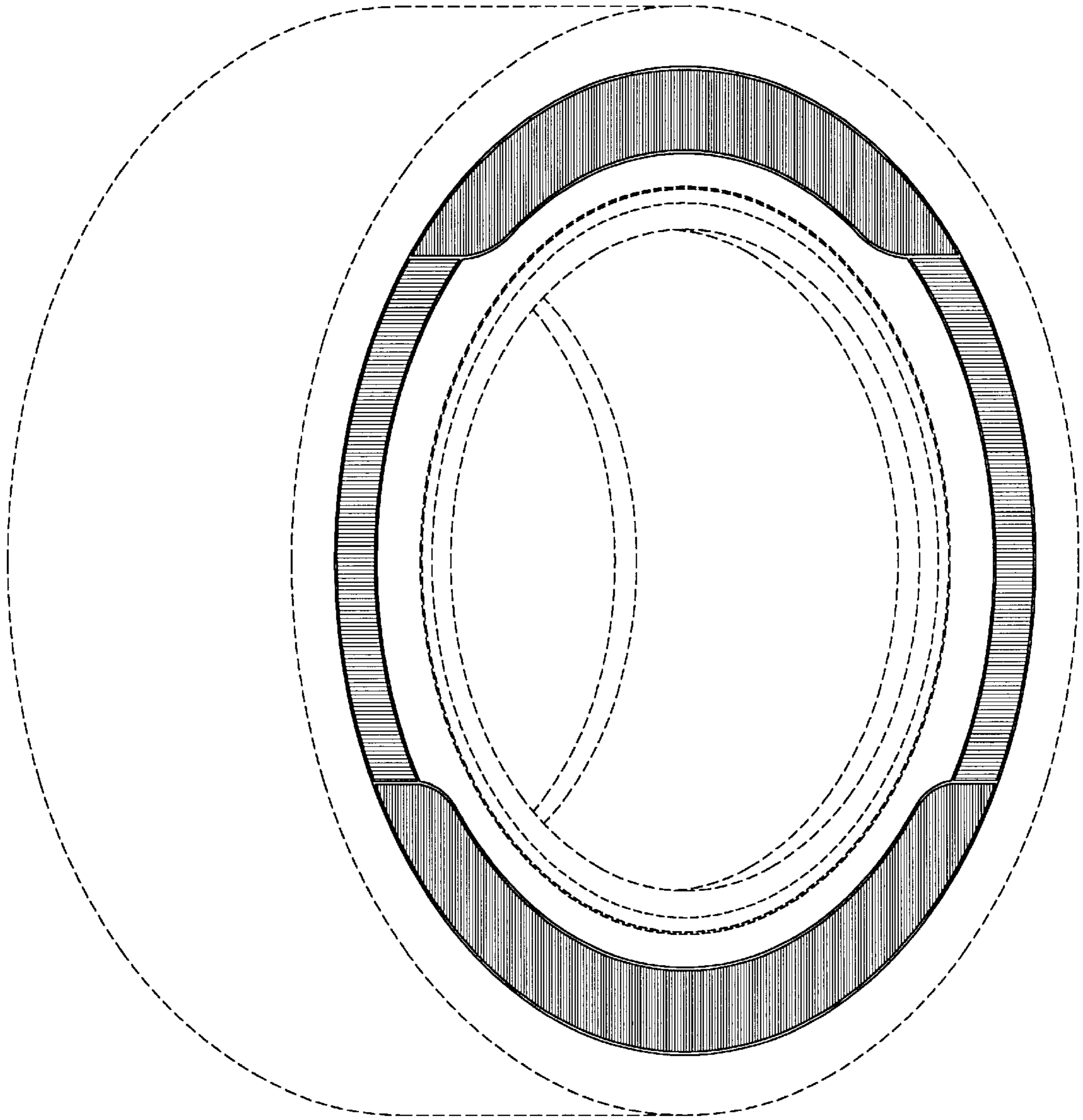


FIG-1

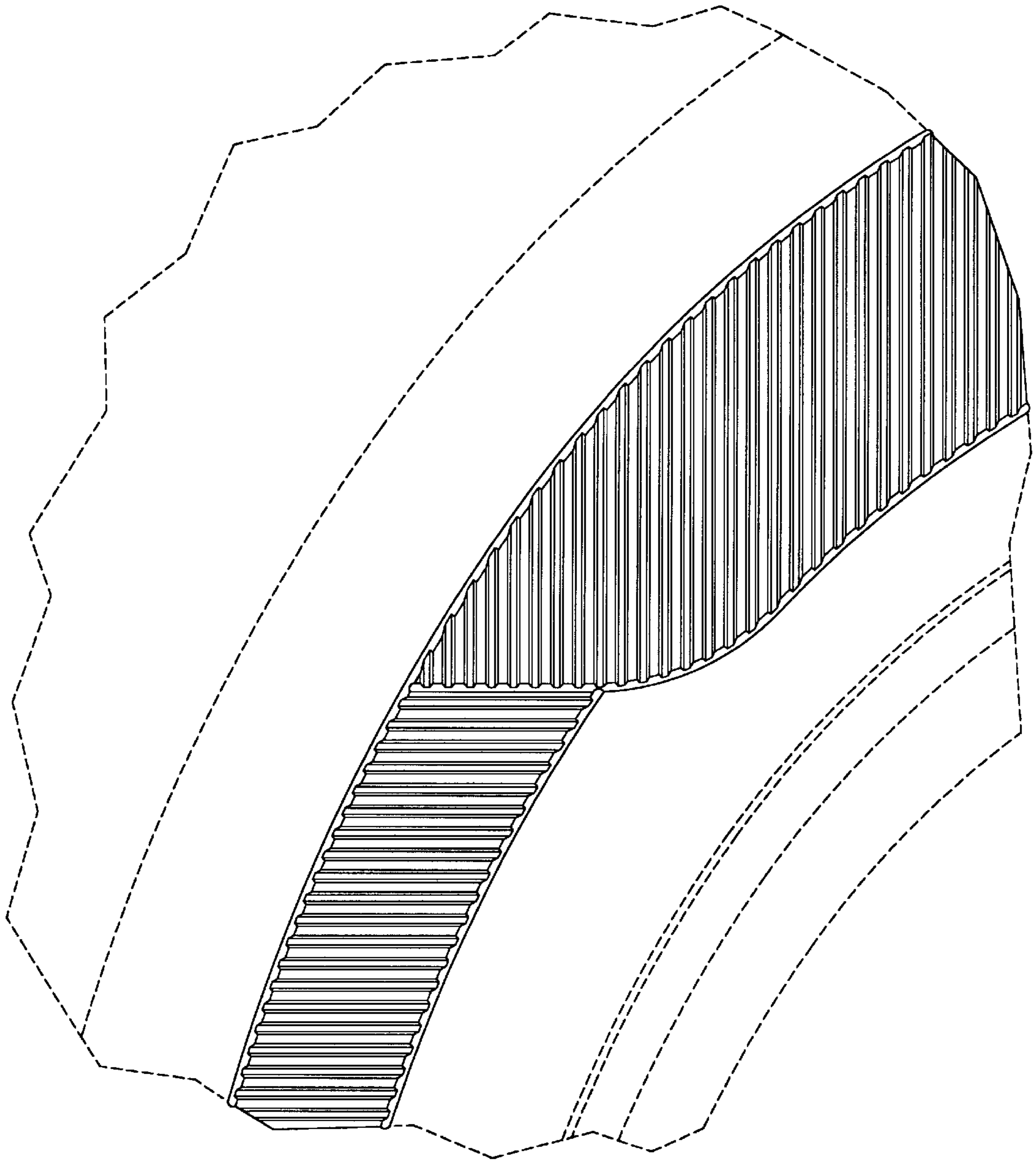


FIG-2

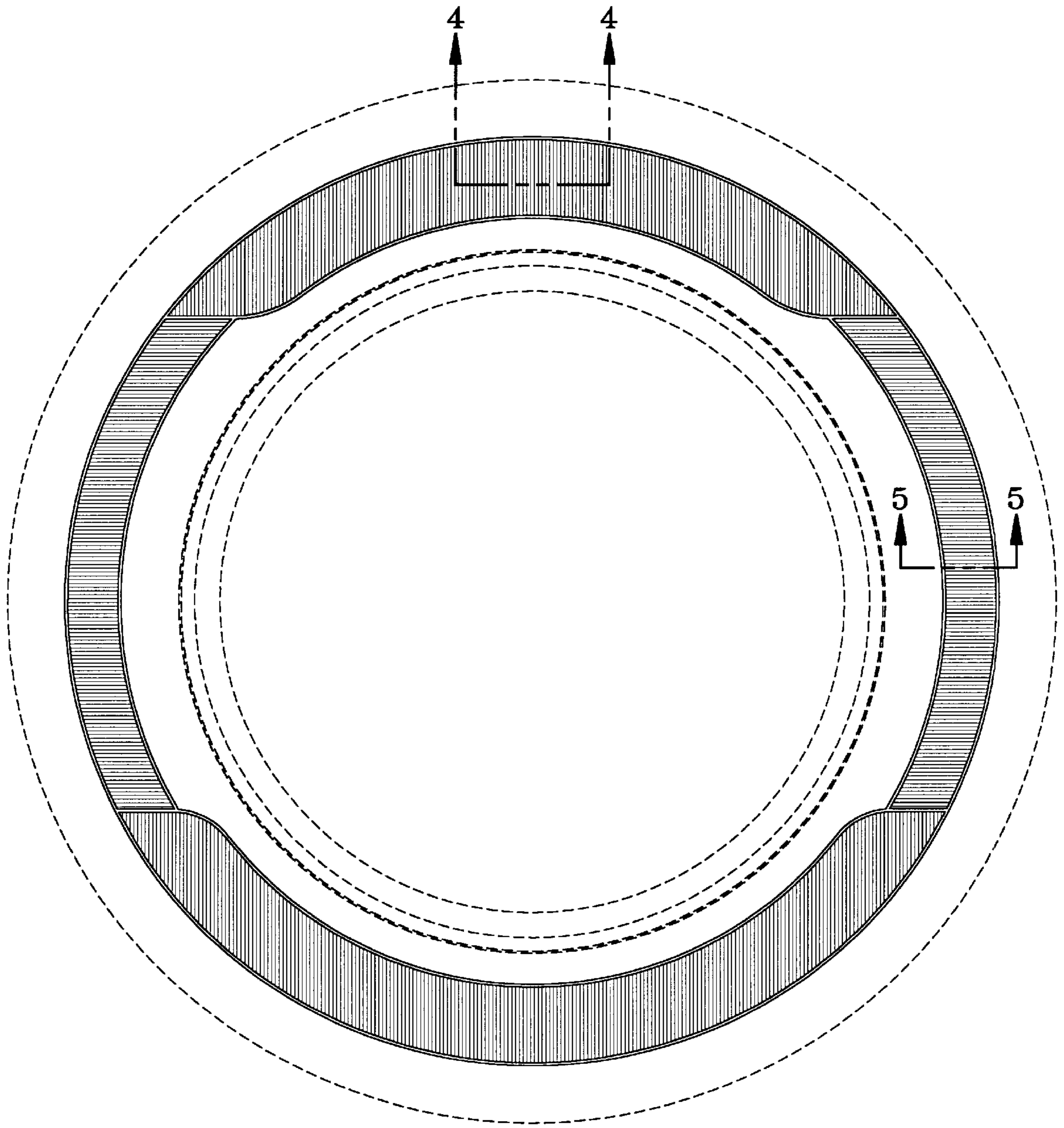


FIG-3

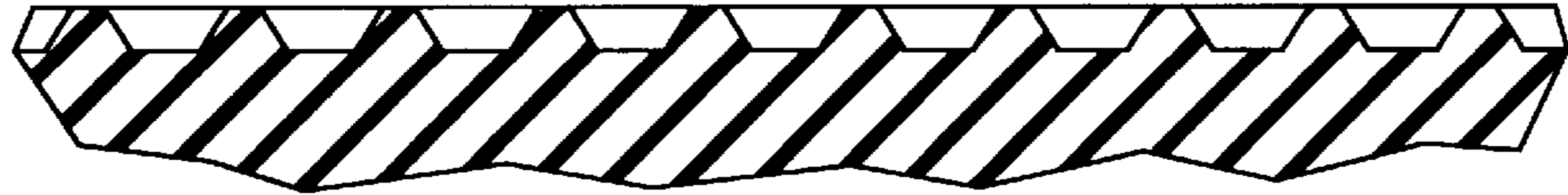


FIG-4

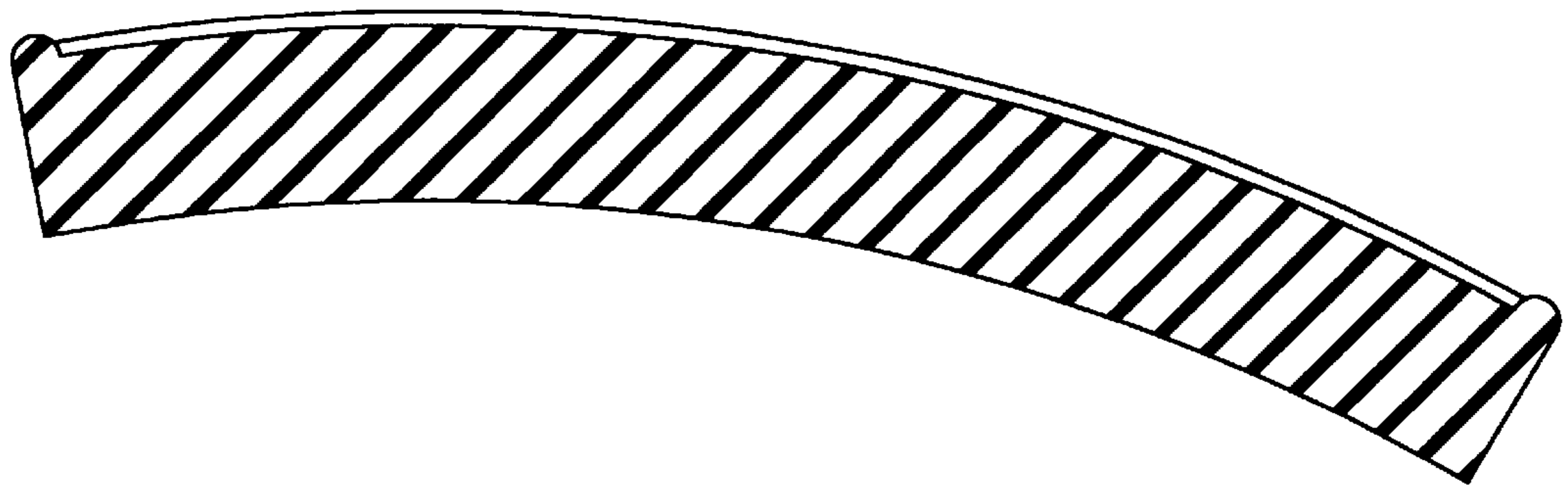


FIG-5

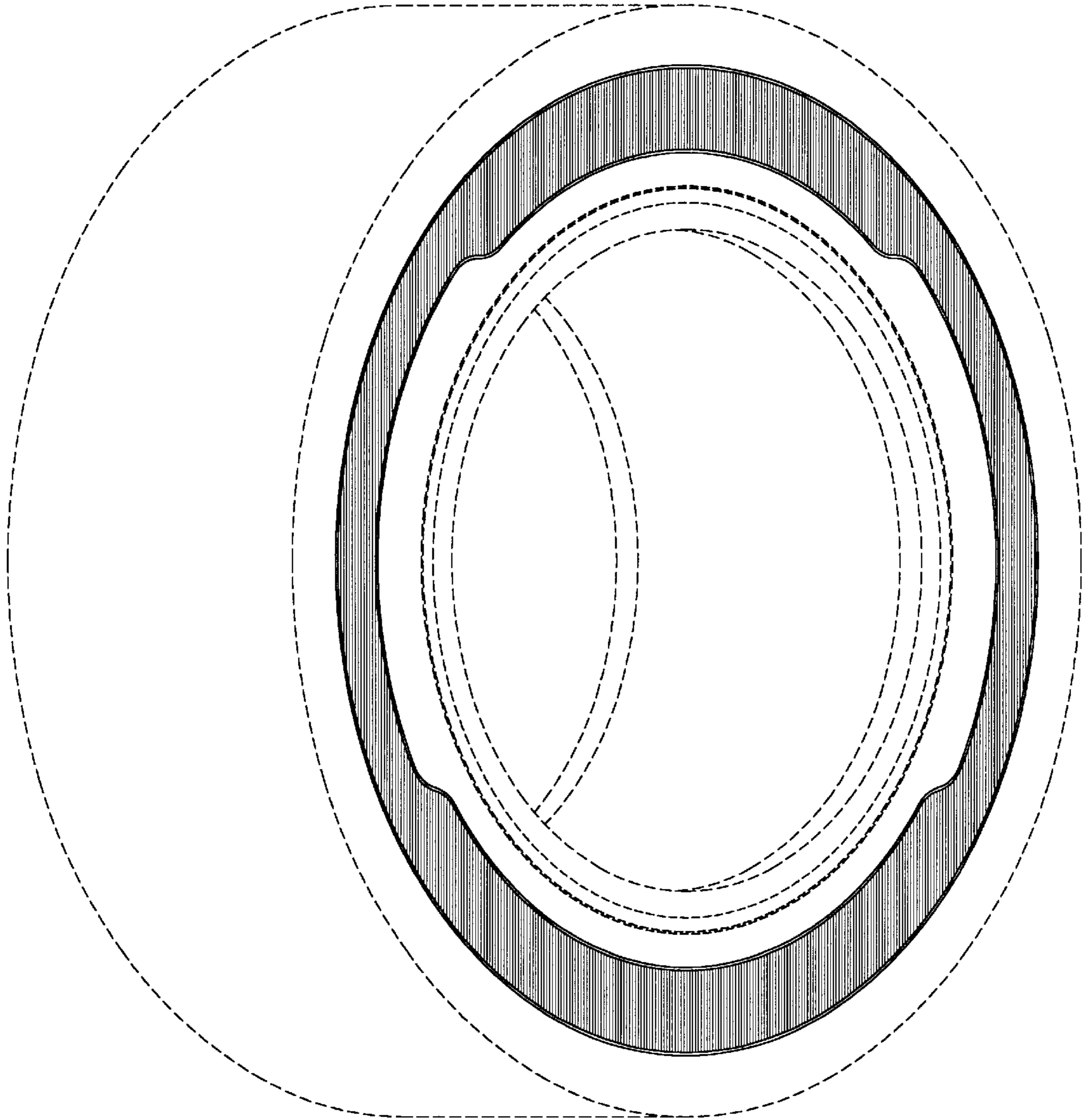


FIG-6

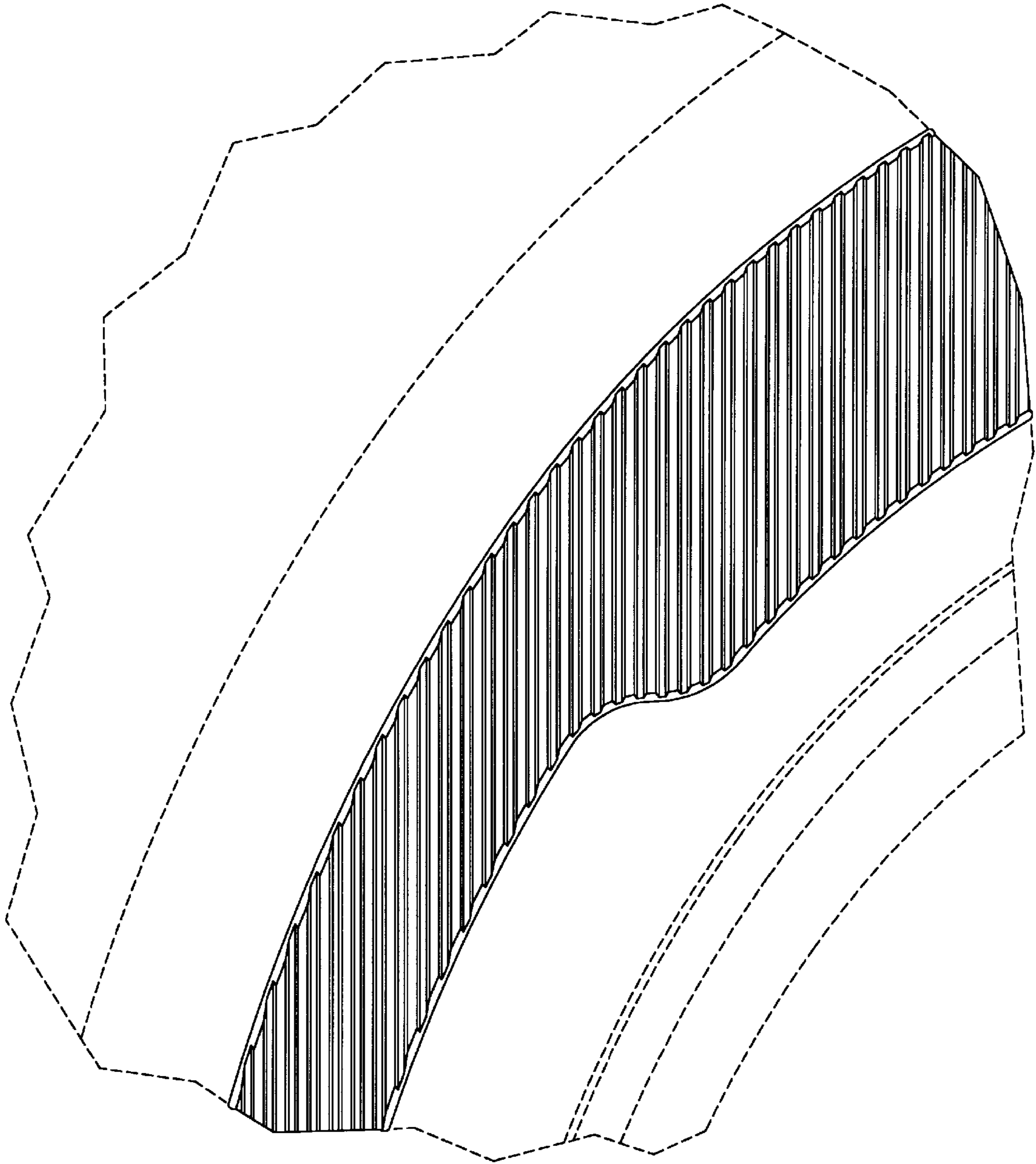


FIG-7

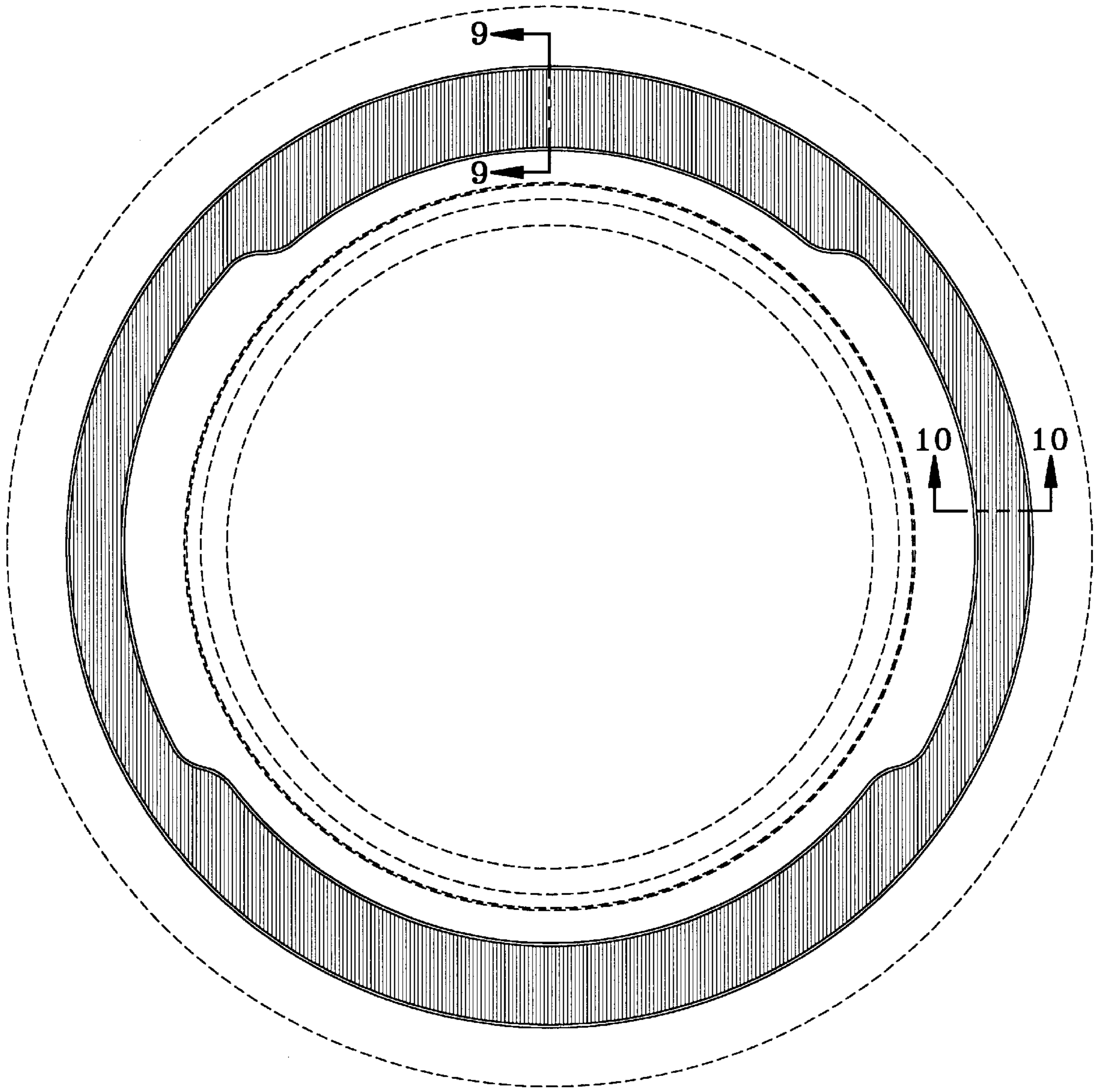


FIG-8



FIG-9

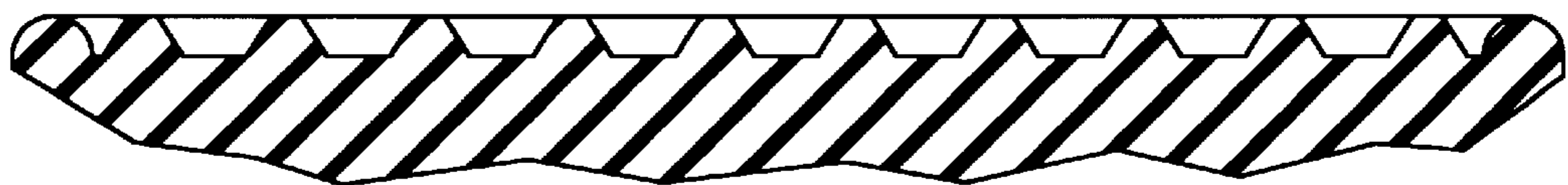


FIG-10

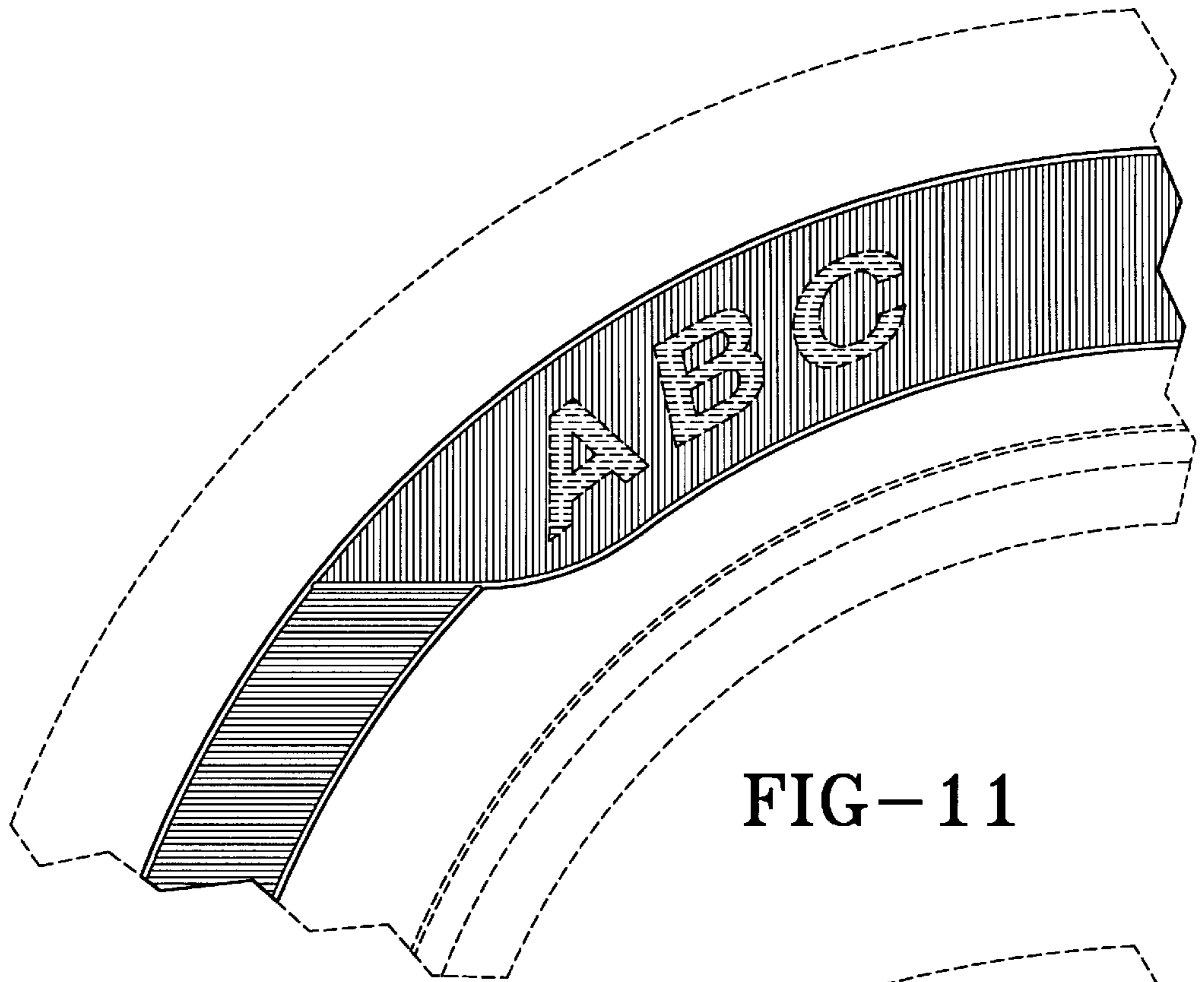


FIG-11

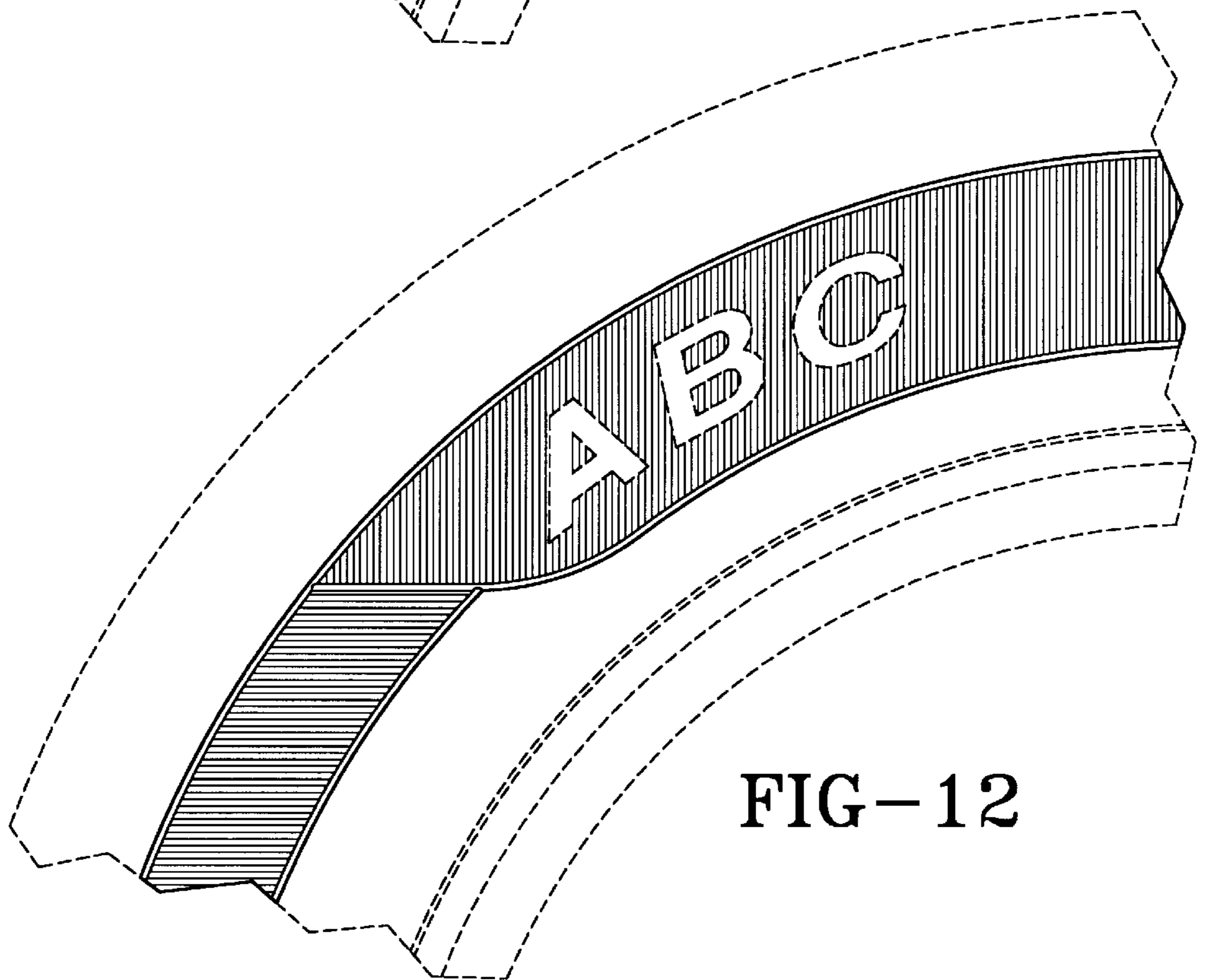


FIG-12