



US00D412474S

United States Patent [19]

Heinen et al.

[11] Patent Number: Des. 412,474

[45] Date of Patent: ** Aug. 3, 1999

[54] TIRE TREAD

[75] Inventors: **Richard Heinen**, Habay-la-Neuve, Belgium; **Berend Albert Hemmes**, Ettelbruck, Luxembourg

[73] Assignee: **The Goodyear Tire & Rubber Company**, Akron, Ohio

[**] Term: **14 Years**

[21] Appl. No.: **29/091,967**

[22] Filed: **Aug. 10, 1998**

[51] LOC (6) Cl. **12-15**

[52] U.S. Cl. **D12/147**

[58] Field of Search D12/141-143, D12/146-151; 152/209.1, 209.8, 209.9, 209.11, 209.16, 209.18, 209.28, 900, 901, 902, 903

[56] **References Cited**

U.S. PATENT DOCUMENTS

D. 177,655	5/1956	Wolfer	D90/20
D. 194,771	3/1963	Jones	D90/20
D. 213,657	3/1969	Jones	D90/20
D. 265,306	7/1982	Kojima et al.	D12/147
D. 265,393	7/1982	Hutz	D12/146
D. 317,281	6/1991	Eromaki	D12/146
D. 345,721	4/1994	Baus	D12/143

D. 378,504	3/1997	Ochi et al.	D12/147
D. 383,425	9/1997	Himuro	D12/147
D. 383,715	9/1997	Ochi et al.	D12/147
D. 388,375	12/1997	Harpes et al.	D12/147
D. 395,415	6/1998	Graas	D12/147
4,299,264	11/1981	Williams	152/209 R

FOREIGN PATENT DOCUMENTS

968412 11/1996 Japan .

Primary Examiner—Robert M. Spear
Attorney, Agent, or Firm—T P Lewandowski

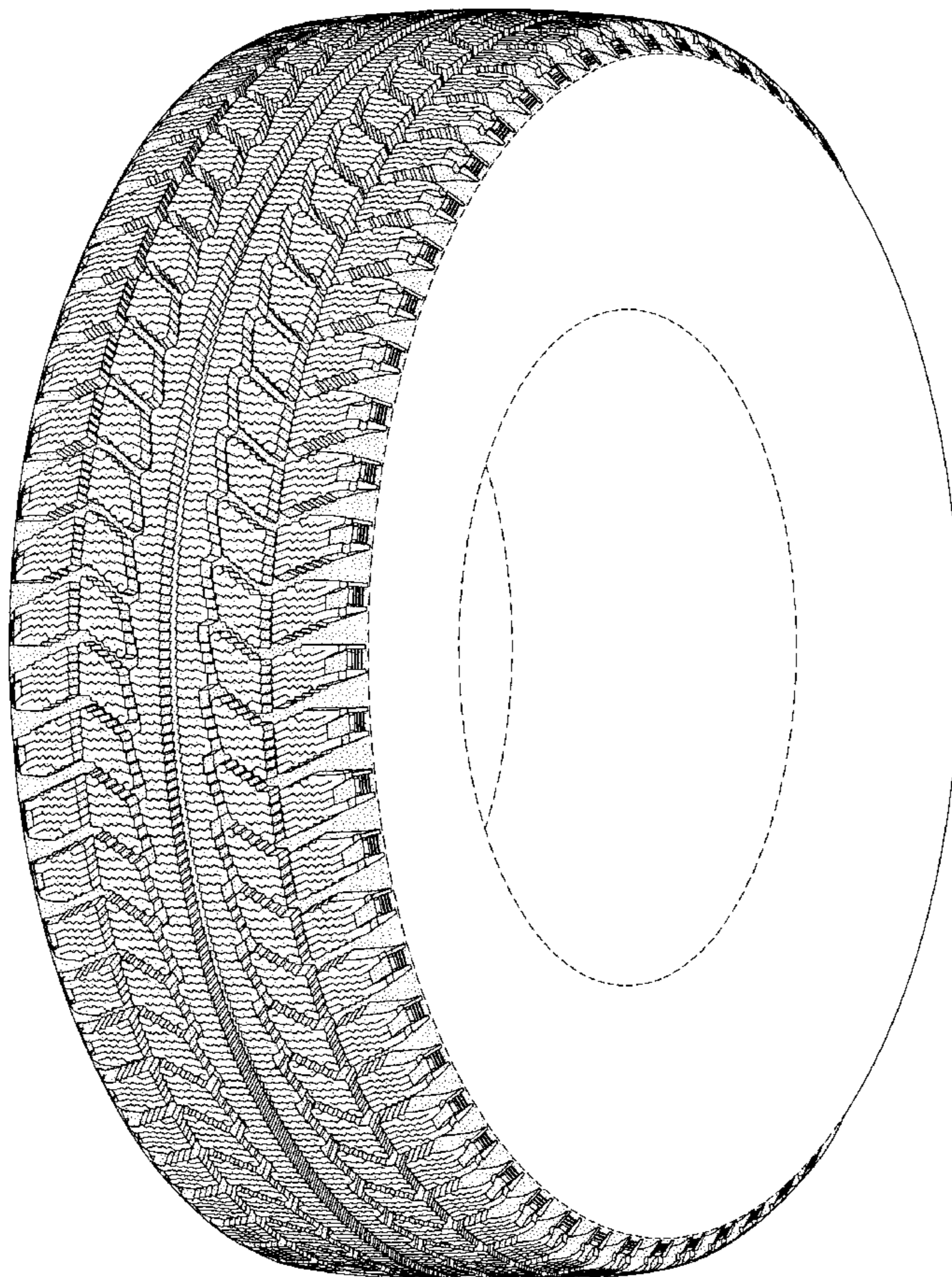
[57] **CLAIM**

The ornamental design for a tire tread, as shown and described.

DESCRIPTION

FIG. 1 is a perspective view of a tire tread showing our new design, it being understood that the pattern repeats uniformly throughout the circumference of the tread; FIG. 2 is a front elevational view thereof; FIG. 3 is a side elevational view thereof, the opposite side elevational view being identical thereto; and, FIG. 4 is an enlarged fragmentary perspective view. In the drawings, the broken lines defining the inner bead of the sidewall and the peripheral boundary between the tire tread and the sidewall are for illustrative purposes only and form no part of the claimed design.

1 Claim, 4 Drawing Sheets



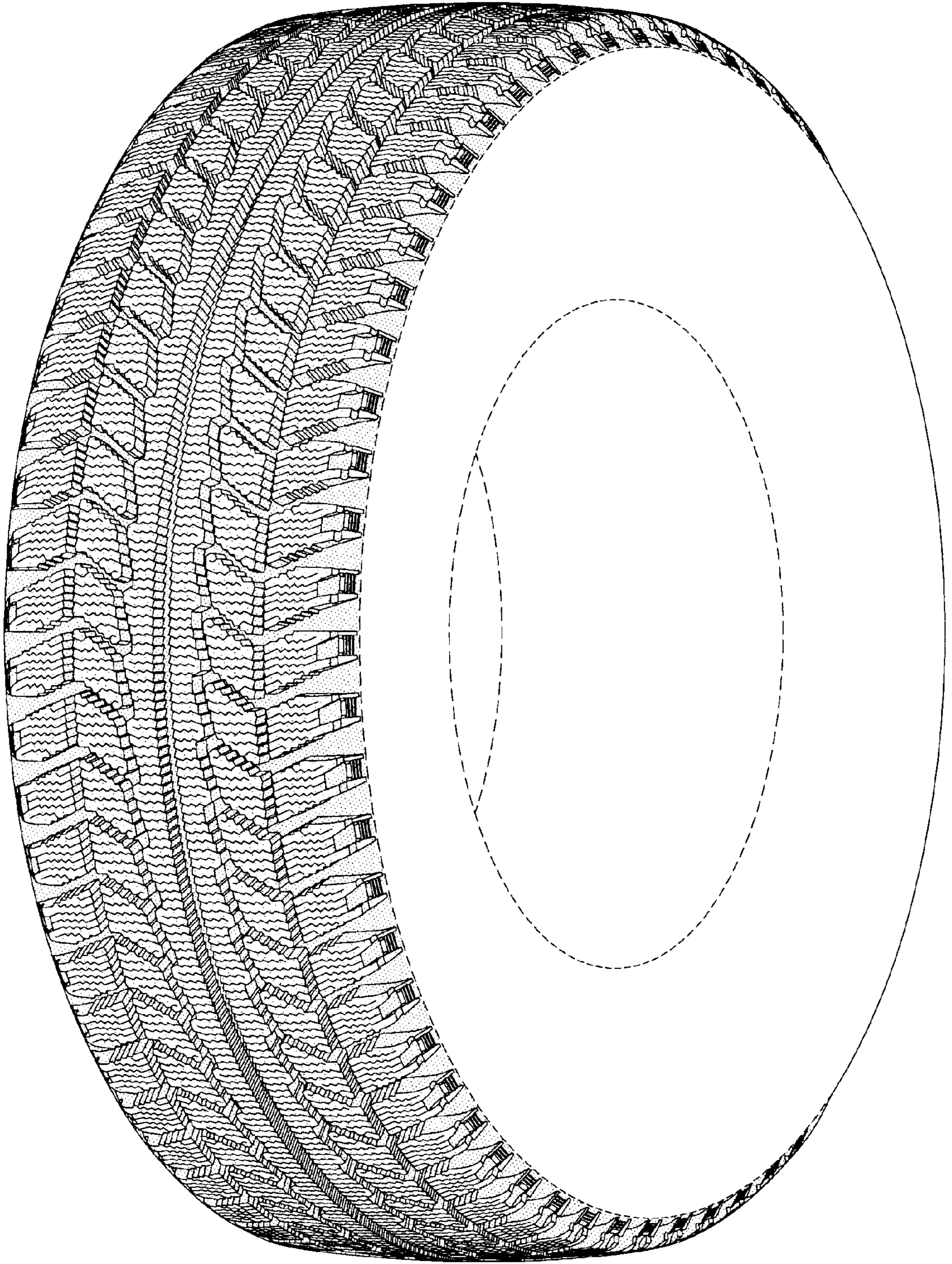


FIG-1

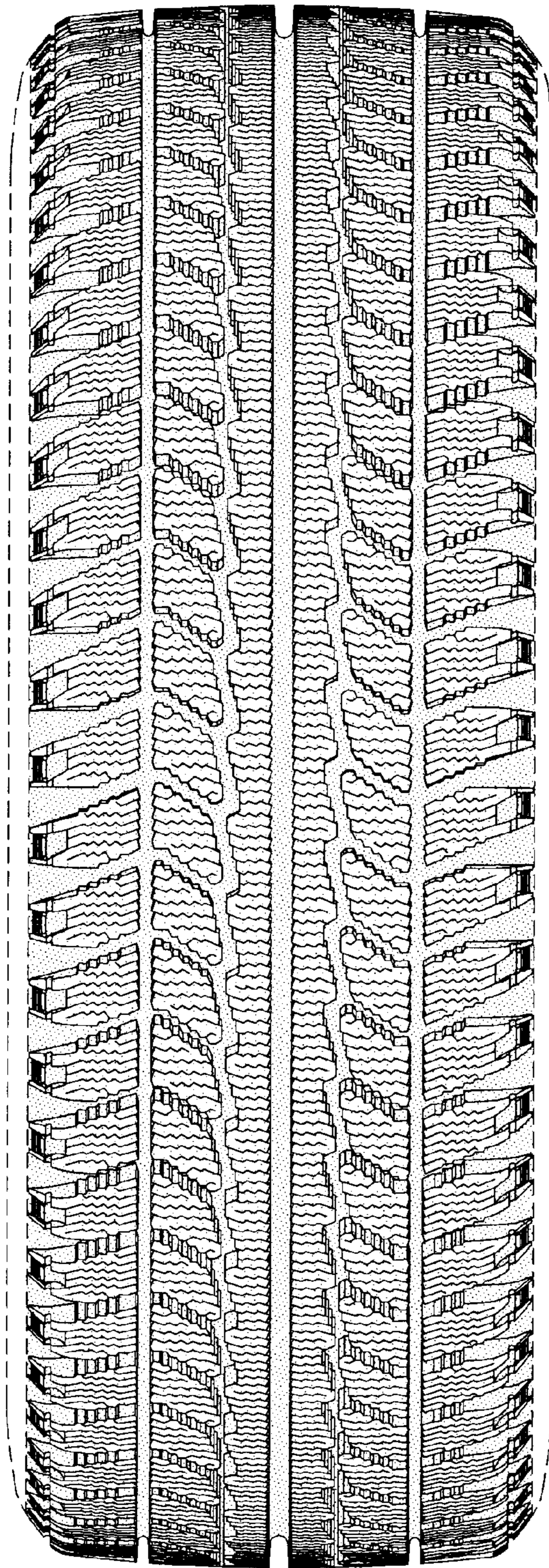


FIG-2

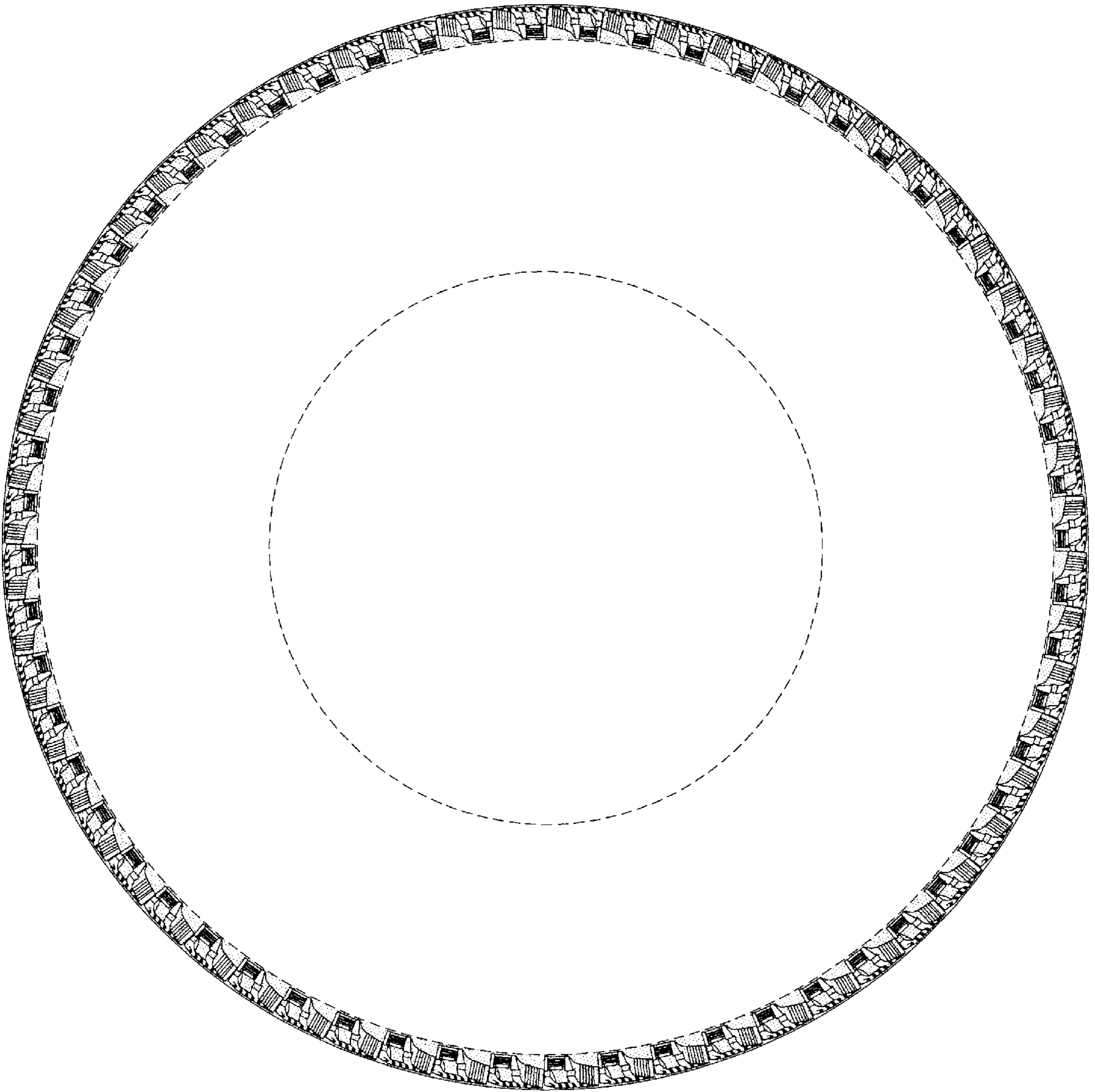


FIG-3

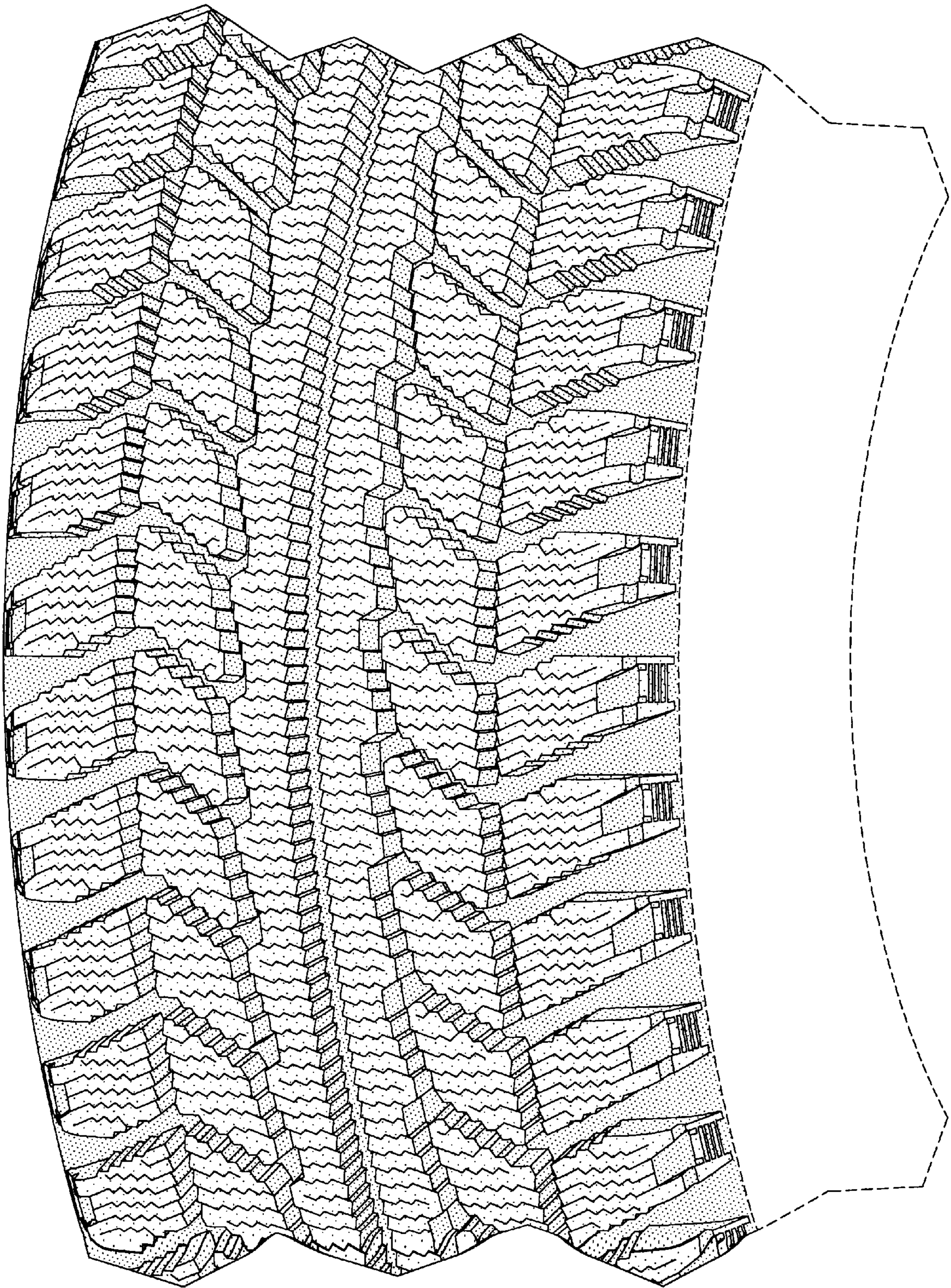


FIG-4