



US00D412466S

**United States Patent** [19]  
**Jones**

[11] **Patent Number: Des. 412,466**

[45] **Date of Patent: \*\* Aug. 3, 1999**

[54] **MOTORCYCLE TRANSMISSION CASING**

*Attorney, Agent, or Firm—Howell & Haferkamp, L.C.*

[75] Inventor: **James R. Jones**, Town & Country, Mo.

[57] **CLAIM**

[73] Assignee: **Midwest Motorcycle Supply Distributors Corp.**, Arnold, Mo.

The ornamental design for a motorcycle transmission casing, as shown and described.

[\*\*] Term: **14 Years**

**DESCRIPTION**

[21] Appl. No.: **29/090,849**

FIG. 1 is a perspective view of a motorcycle transmission casing showing my new design;

[22] Filed: **Jul. 17, 1998**

FIG. 2 is a front elevational view of the motorcycle transmission casing of FIG. 1;

[51] **LOC (6) Cl.** ..... **12-11**

[52] **U.S. Cl.** ..... **D12/126**

[58] **Field of Search** ..... D12/114, 117, D12/126, 127; 280/288.4; 180/219

FIG. 3 is a left end elevational view of the motorcycle transmission casing of FIG. 1;

FIG. 4 is a right end elevational view of the motorcycle transmission casing of FIG. 1;

[56] **References Cited**

**U.S. PATENT DOCUMENTS**

D. 377,157 1/1997 Davidson et al. .... D12/126

FIG. 5 is a top plan view of the motorcycle transmission casing of FIG. 1;

FIG. 6 is a bottom plan view of the motorcycle transmission casing of FIG. 1; and,

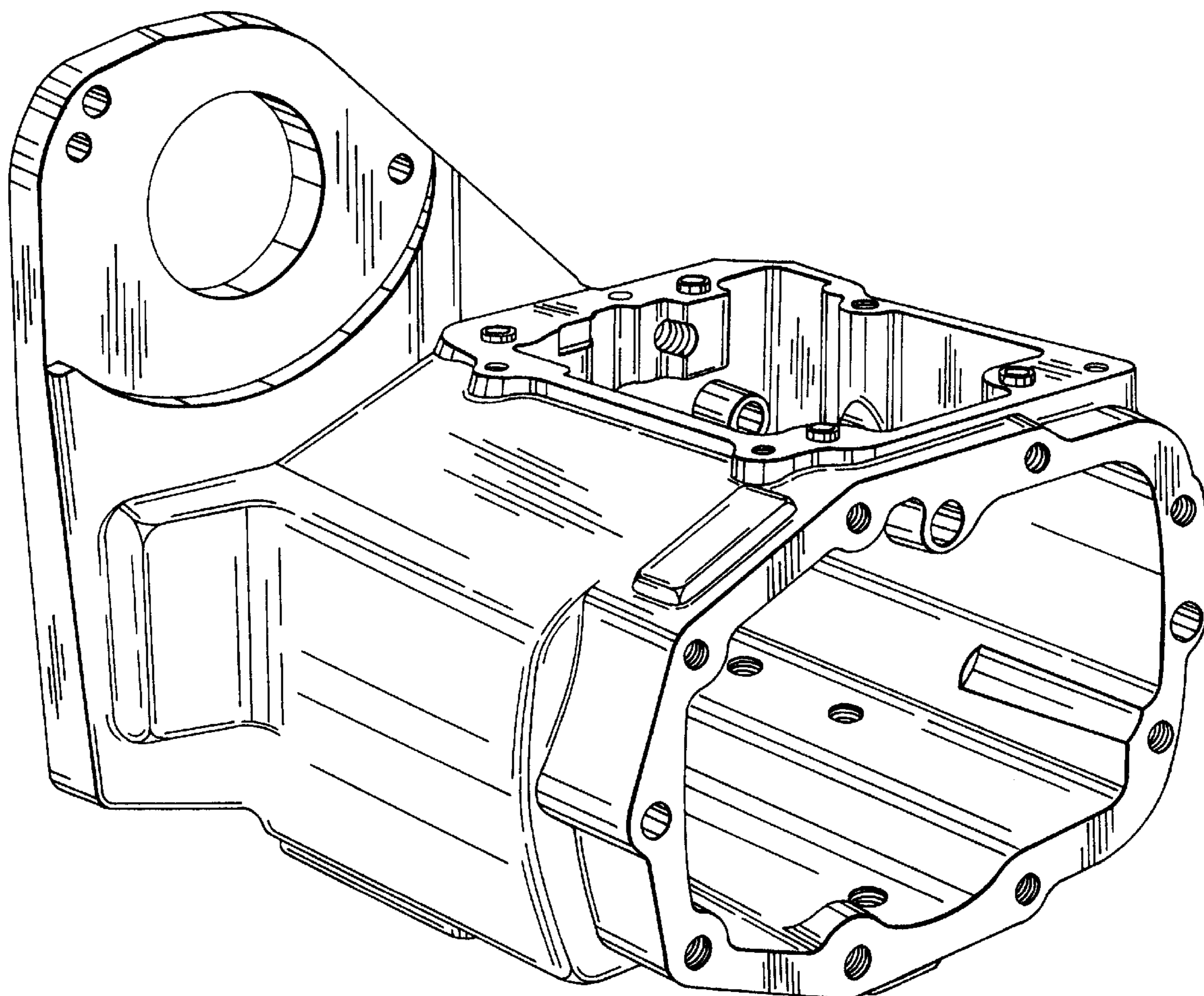
**OTHER PUBLICATIONS**

Transmission End Cover in DRAG Specialties, 1995 Catalog. p. 252.

FIG. 7 is a rear elevational view of the motorcycle transmission casing of FIG. 1.

*Primary Examiner—Pamela Burgess*

**1 Claim, 7 Drawing Sheets**



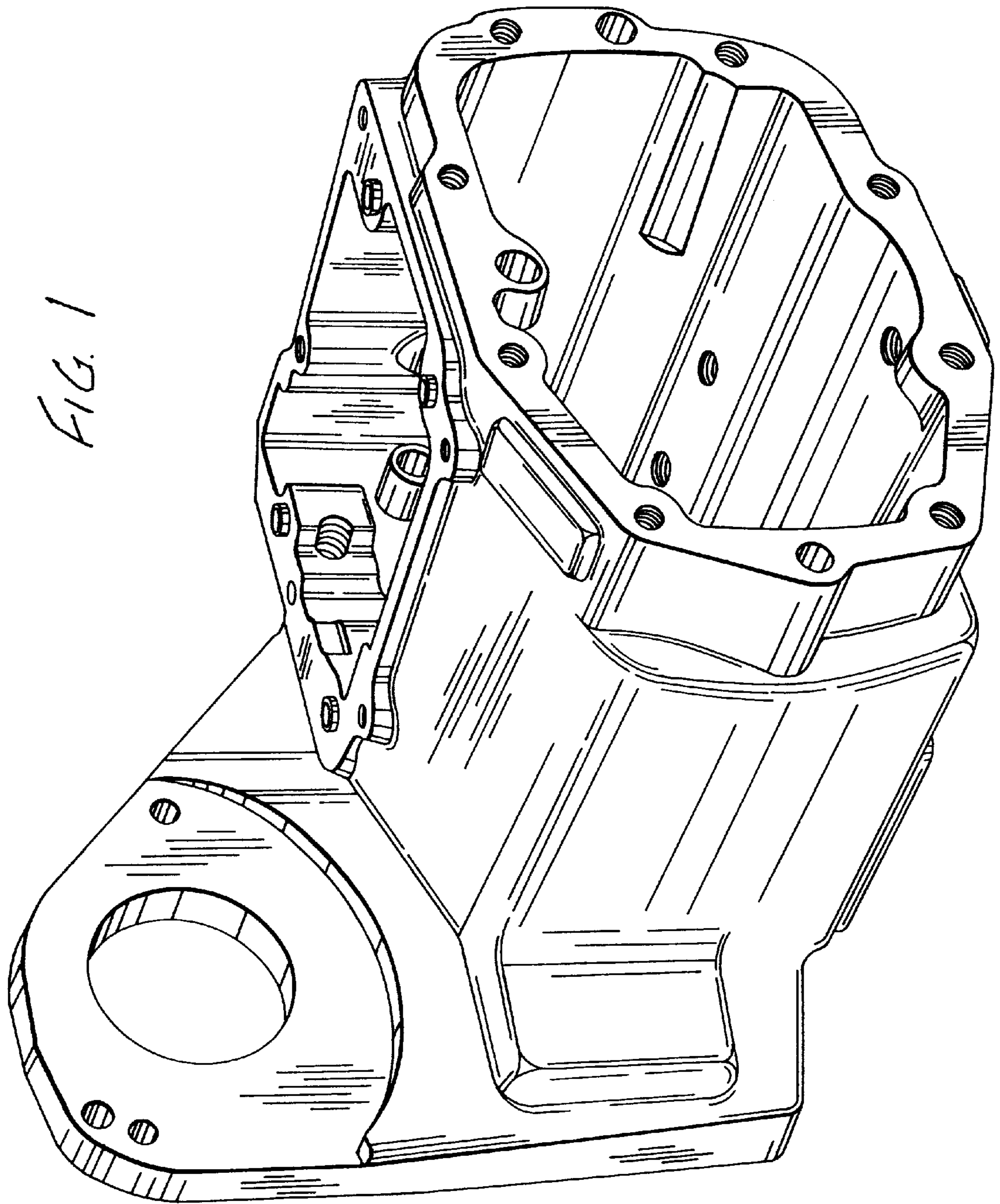


FIG. 1

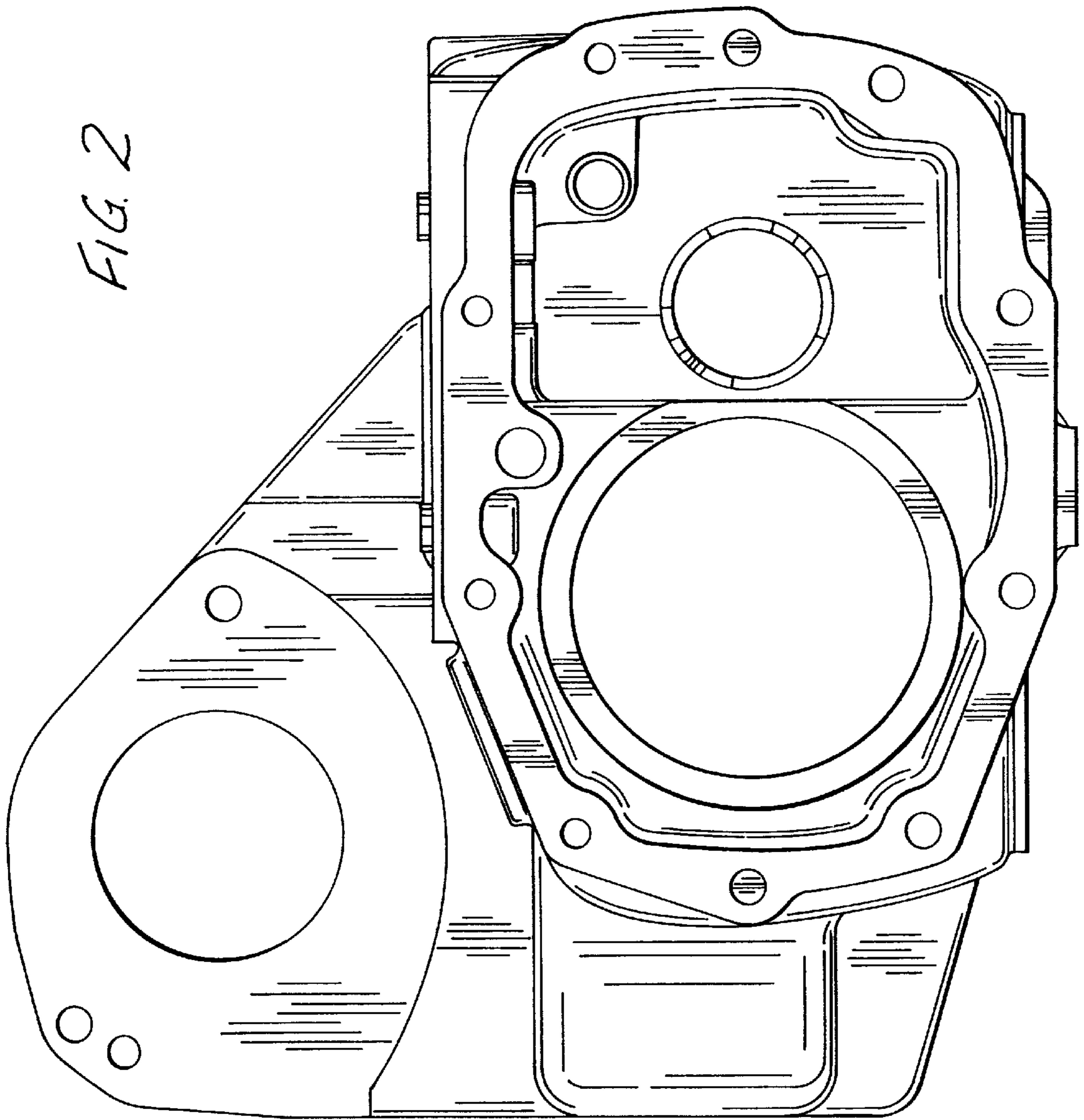


FIG. 3

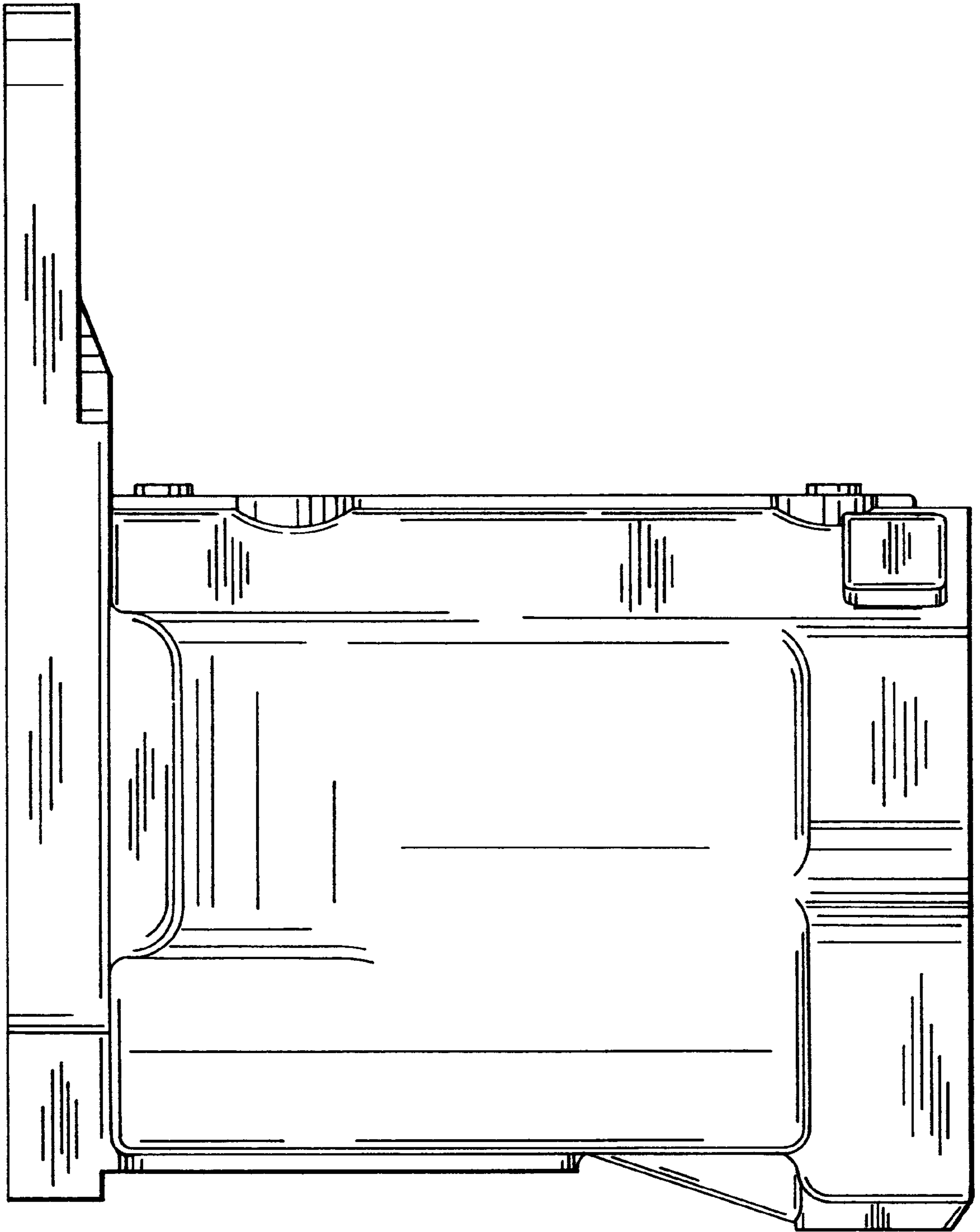


FIG. 4

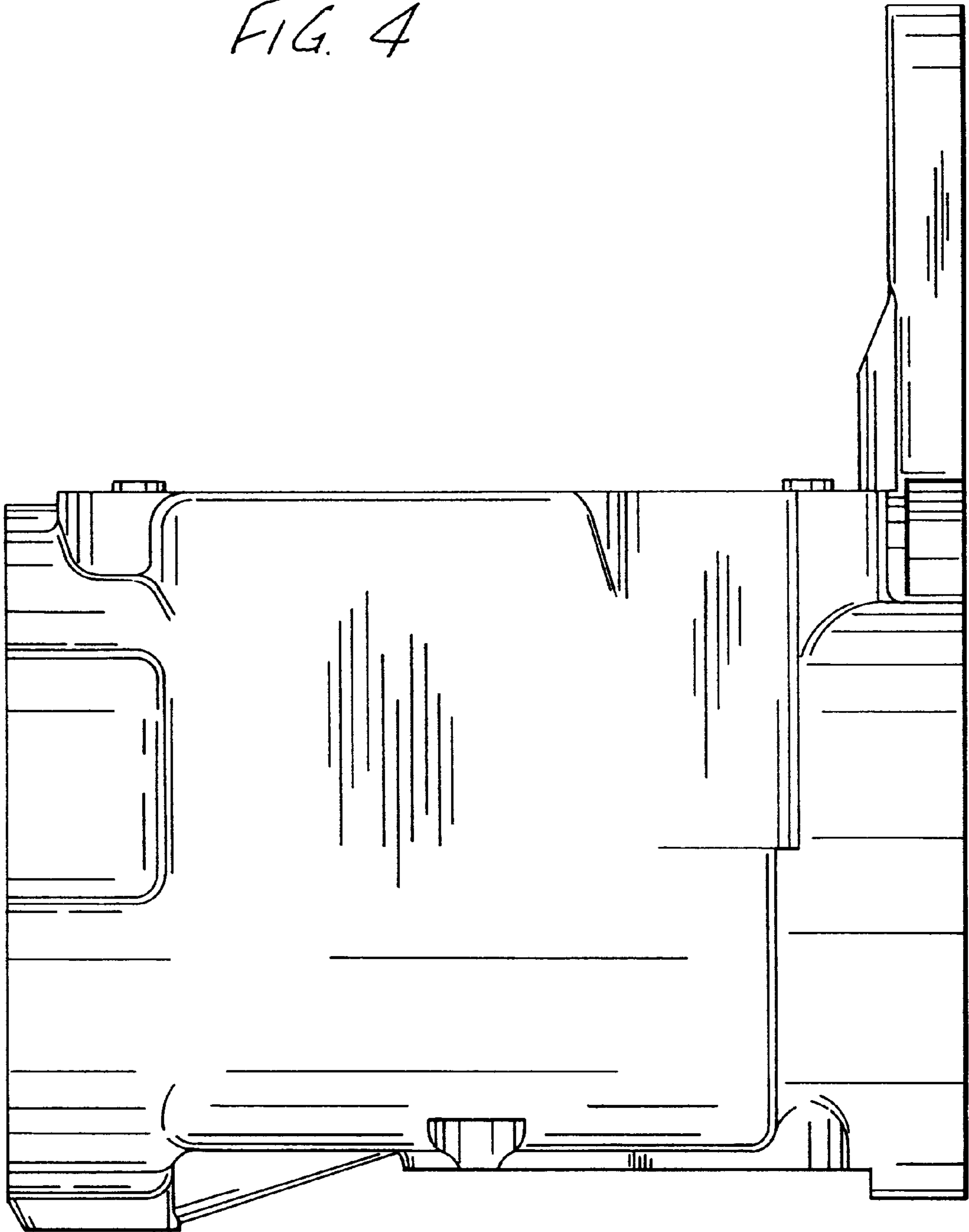


FIG. 5

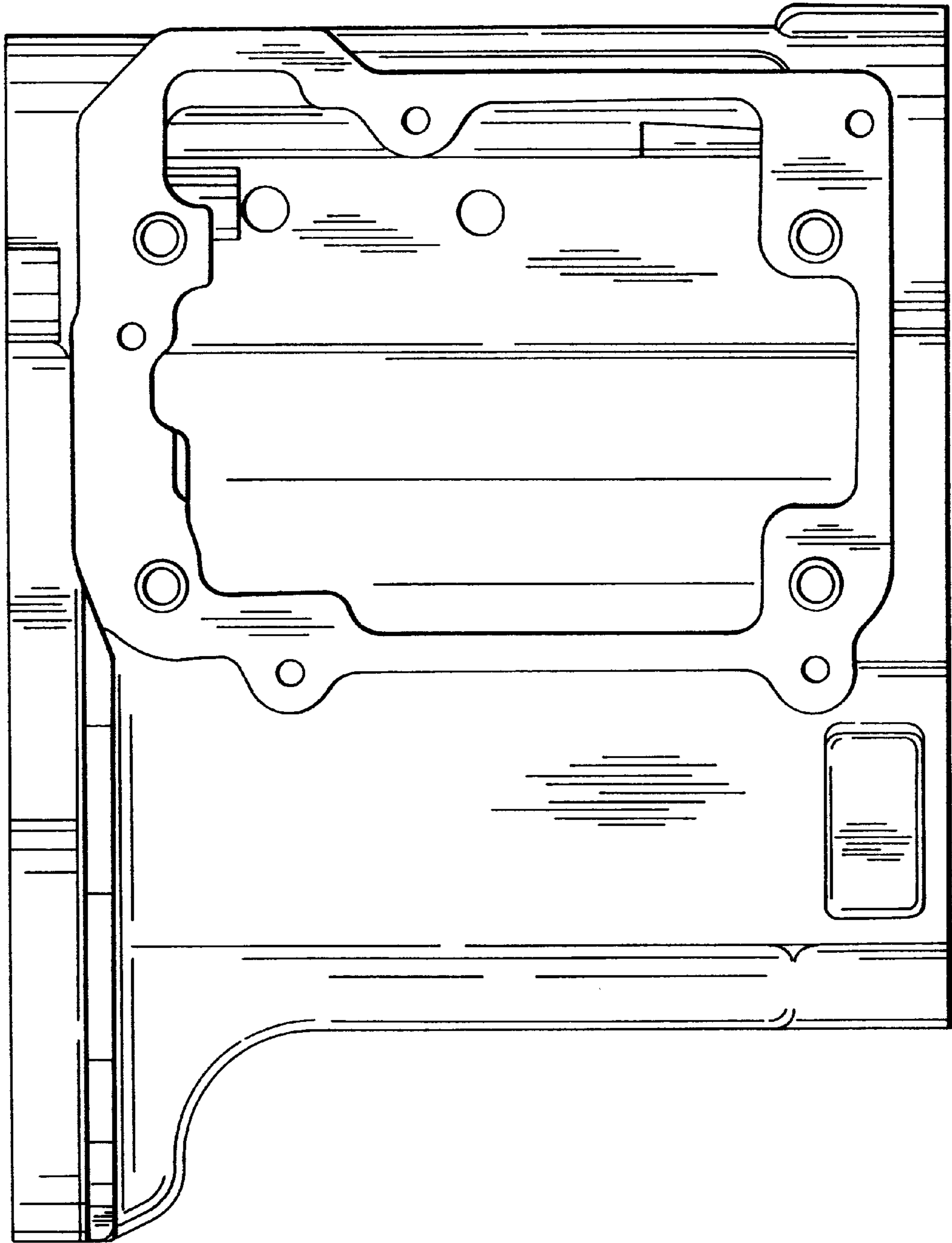
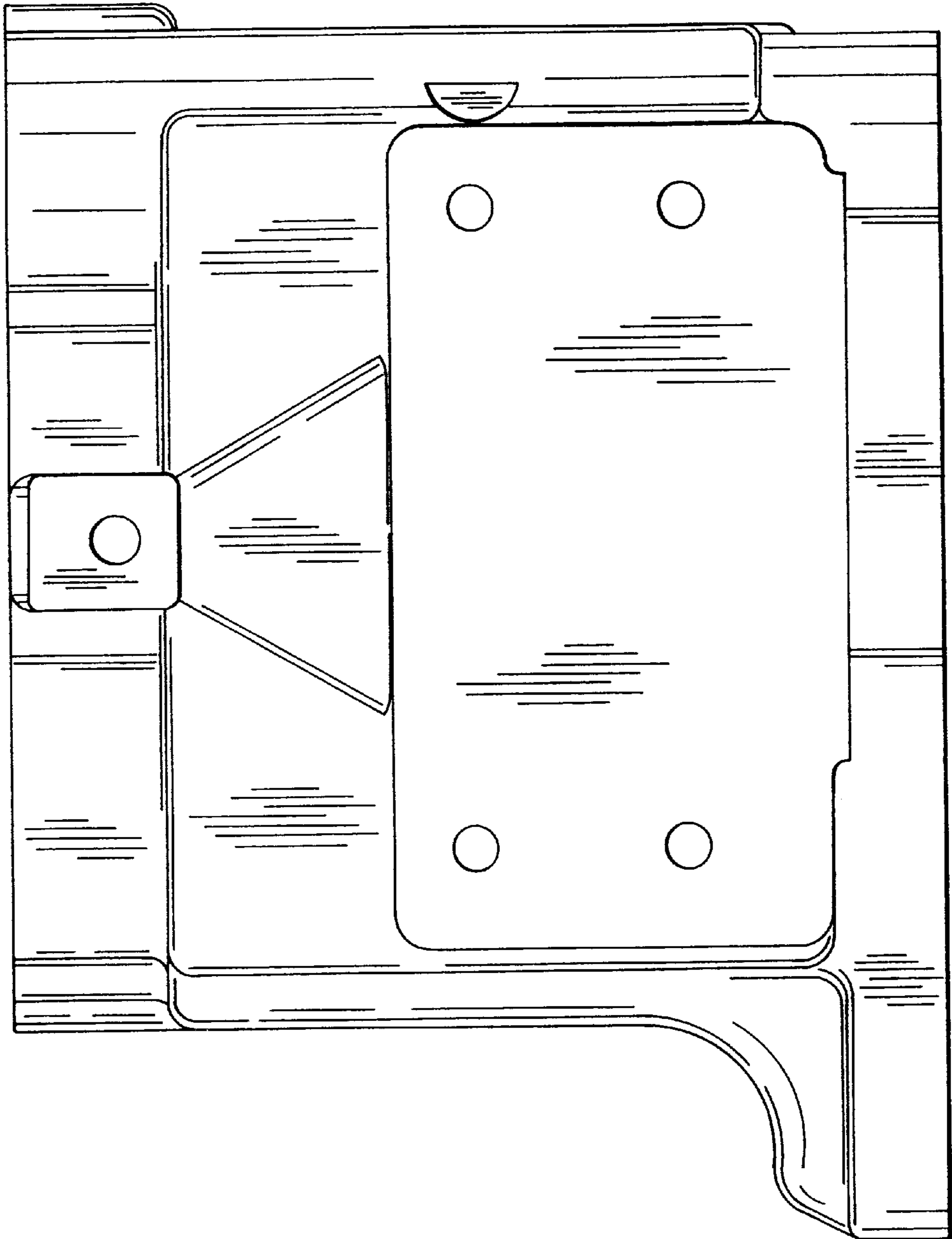


FIG. 6



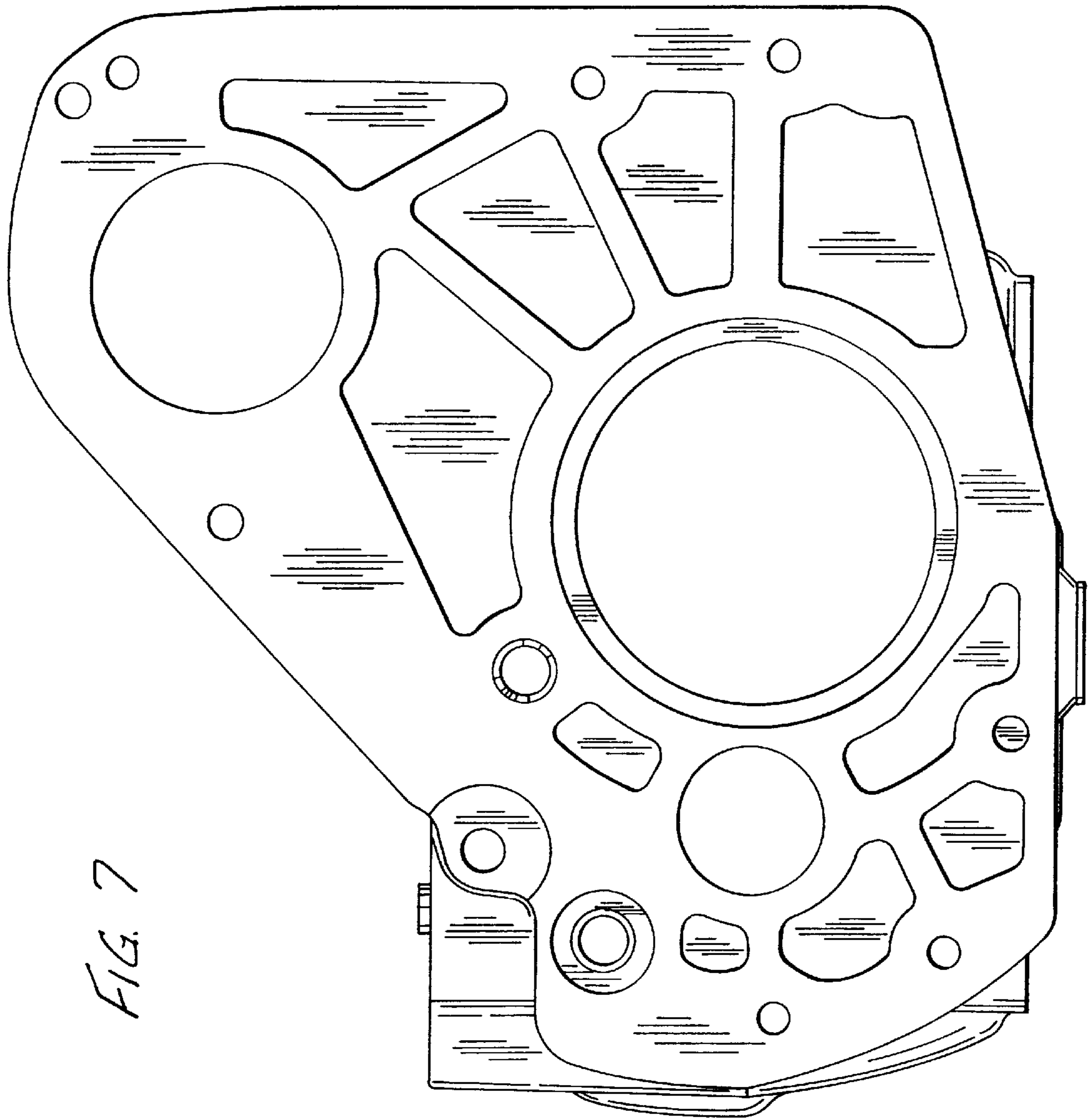


FIG. 7