



US00D412462S

# United States Patent [19]

[11] **Patent Number: Des. 412,462**

**Fildan**

[45] **Date of Patent: \*\* Aug. 3, 1999**

[54] **MATERNITY BRASSIERE CLOSURE HOOK**

[76] Inventor: **Gerhard Fildan**, Dr. Körner, Str. 64, A-2521, Trumau, Austria

[\*\*] Term: **14 Years**

[21] Appl. No.: **29/079,380**

[22] Filed: **Nov. 14, 1997**

[51] **LOC (6) Cl. .... 02-02**

[52] **U.S. Cl. .... D11/208; D11/231**

[58] **Field of Search .... D2/706, 707, 708, D2/709, 710; 2/336; 450/36; 24/370, 615, 625; D11/200, 208, 230, 231**

[56] **References Cited**

**U.S. PATENT DOCUMENTS**

D. 134,696	12/1942	Kasen .....	D11/231
D. 275,906	10/1984	Di Tullio .....	D2/709
3,127,656	4/1964	Schwabe et al. ....	2/336
4,001,924	1/1977	Bengtsson .....	2/615
4,335,728	6/1982	Fildan .....	450/36
4,987,661	1/1991	Kasai .....	24/625
5,564,131	10/1996	Anscher .....	2/336
5,624,296	4/1997	Weber-Unger .....	450/36

*Primary Examiner*—Louis S. Zarfes  
*Assistant Examiner*—Monica A. Weingart  
*Attorney, Agent, or Firm*—Herbert Dubno

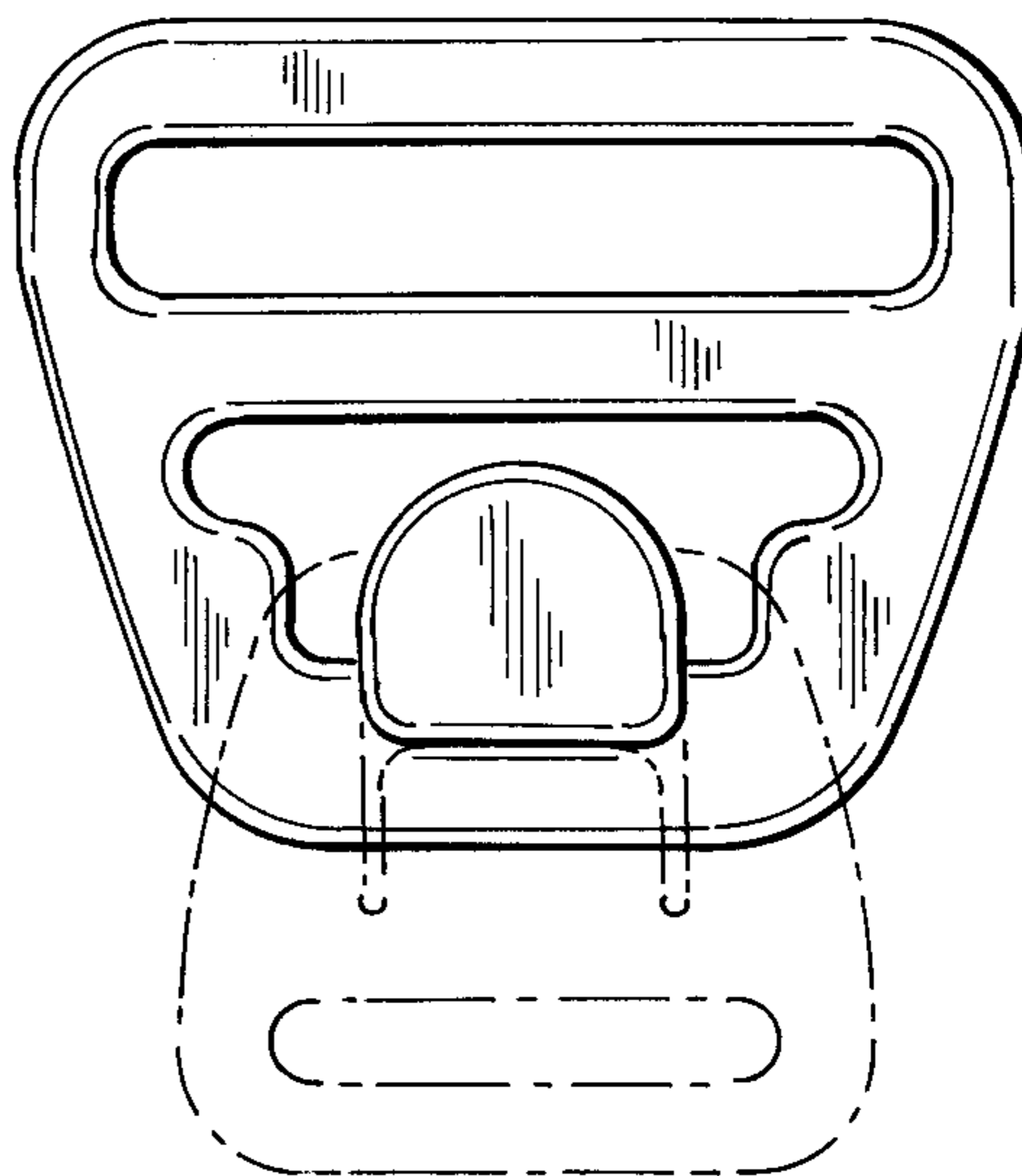
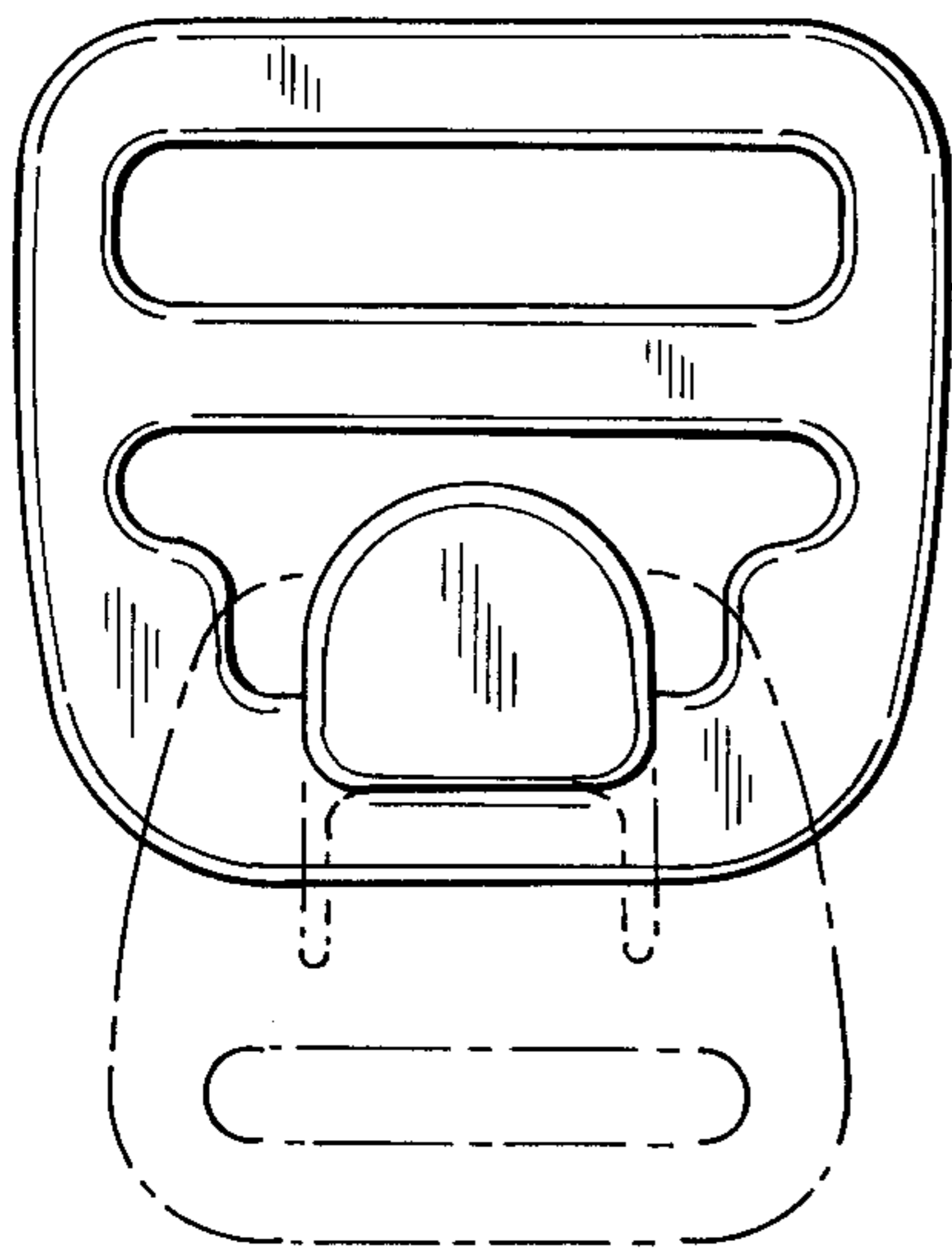
[57] **CLAIM**

The ornamental design for a maternity brassiere closure hook, as shown and described.

**DESCRIPTION**

FIG. 1 is a front elevational view of a maternity brassiere closure hook showing by new design; FIG. 2 is a right side elevational view thereof; FIG. 3 is a rear view thereof; FIG. 4 is a left side elevational view thereof; FIG. 5 is a top view thereof; FIG. 6 is a bottom view thereof; FIG. 7 is a front elevational view of a second embodiment thereof; FIG. 8 is a right side elevational view thereof; FIG. 9 is a rear view thereof; FIG. 10 is a left side elevational view thereof; FIG. 11 is a top view thereof; and, FIG. 12 is a bottom view thereof. The broken line showing of the female portion of the closure in FIGS. 1-12 is for illustrative purposes only and forms no part of the claimed design.

**1 Claim, 6 Drawing Sheets**



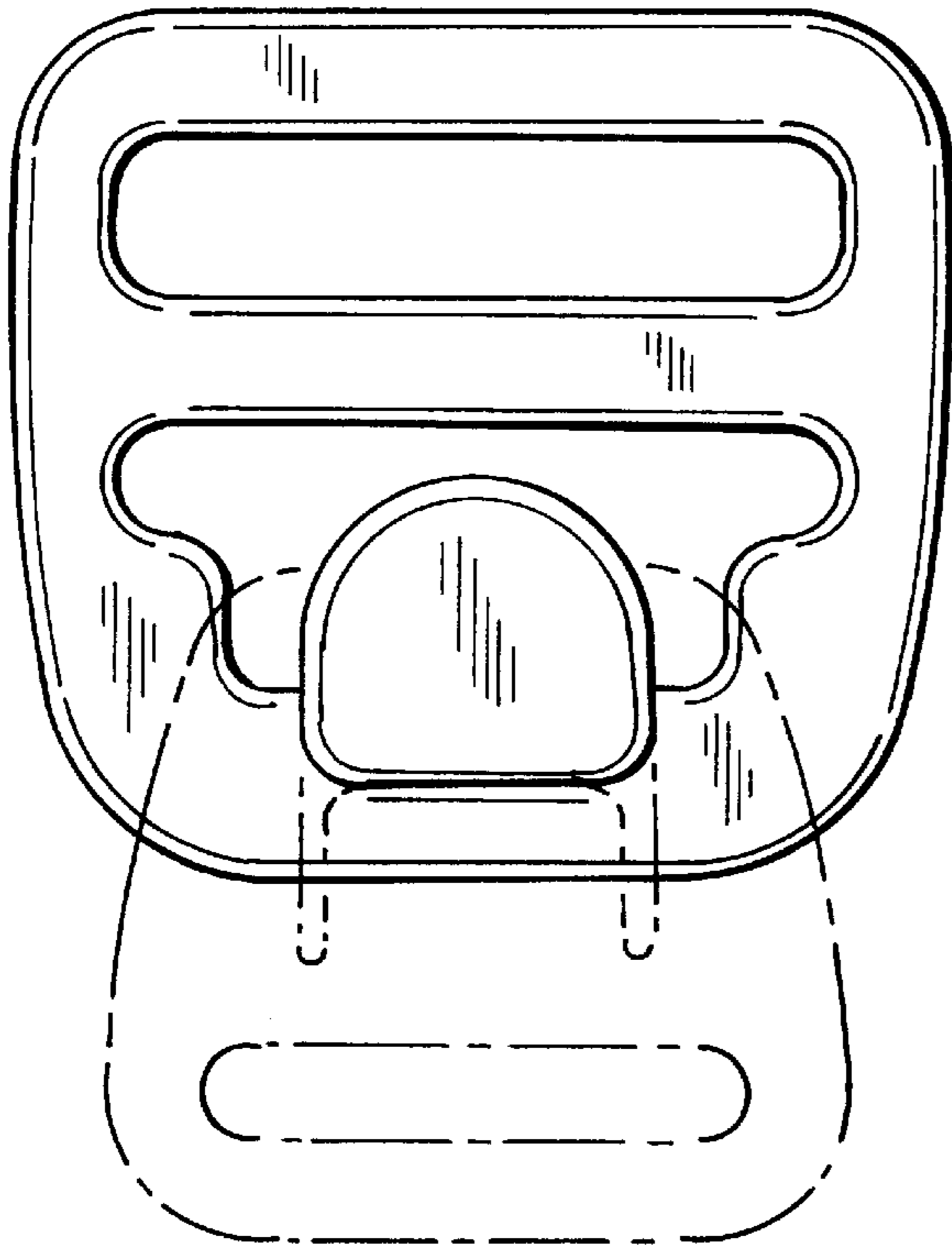


FIG. 1

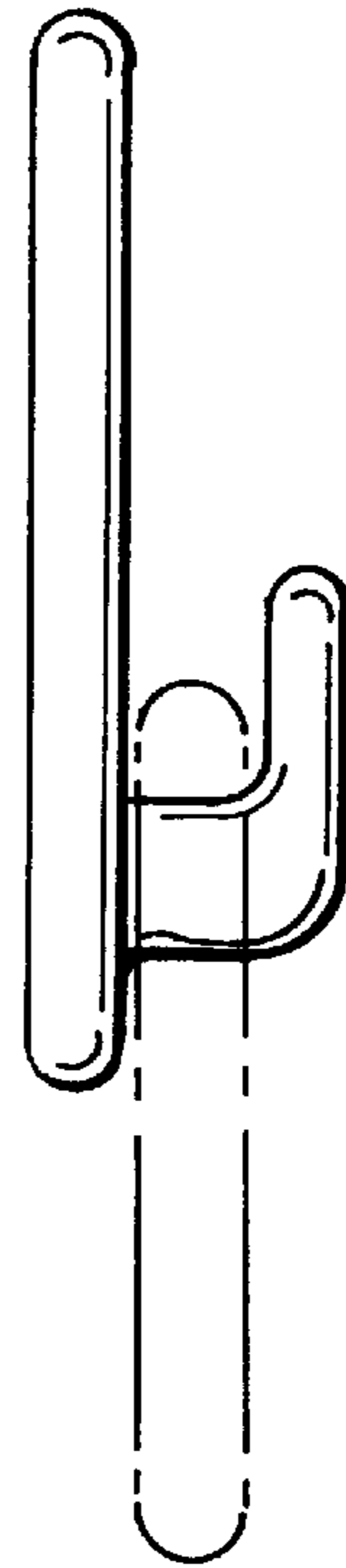


FIG. 2

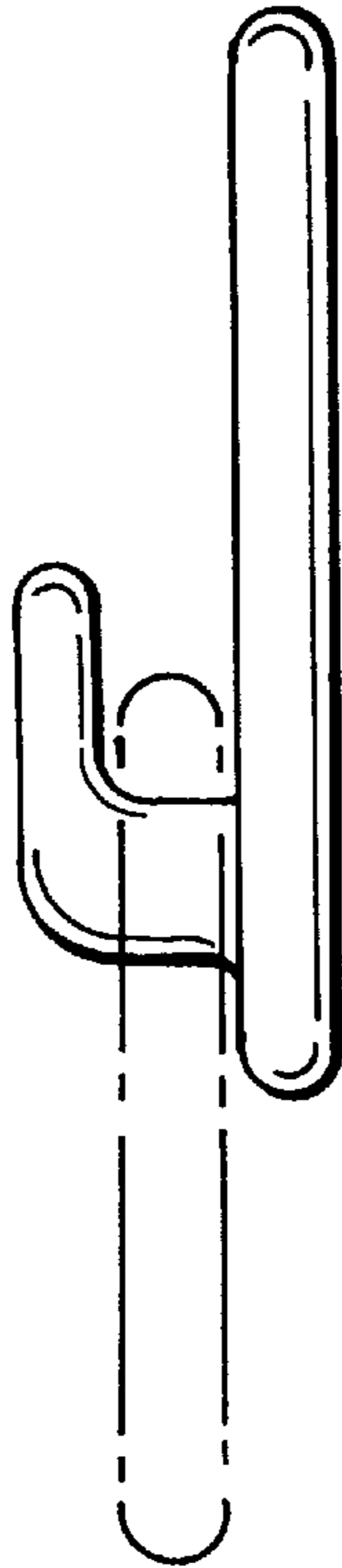


FIG. 4

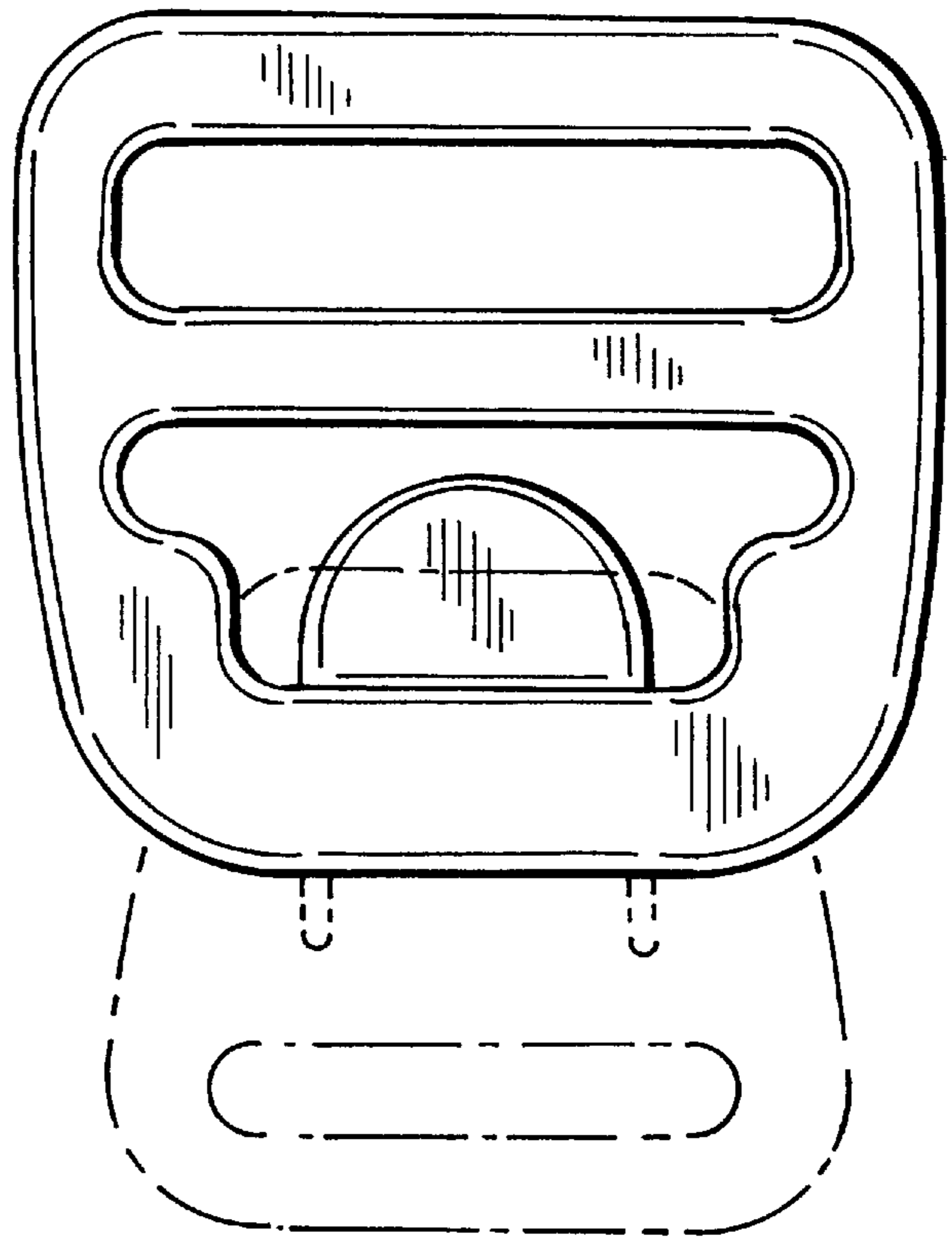
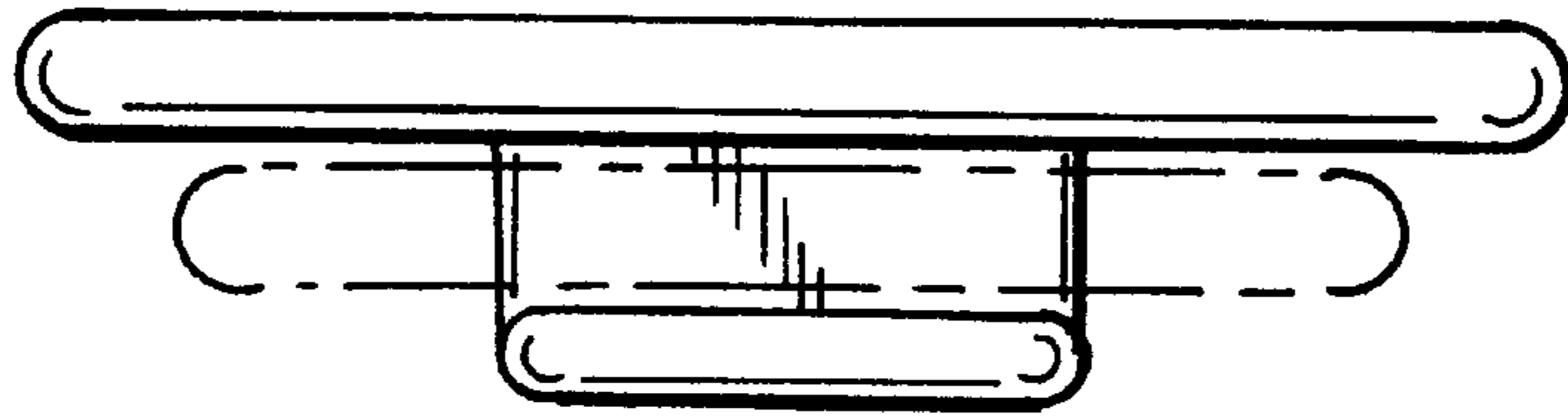
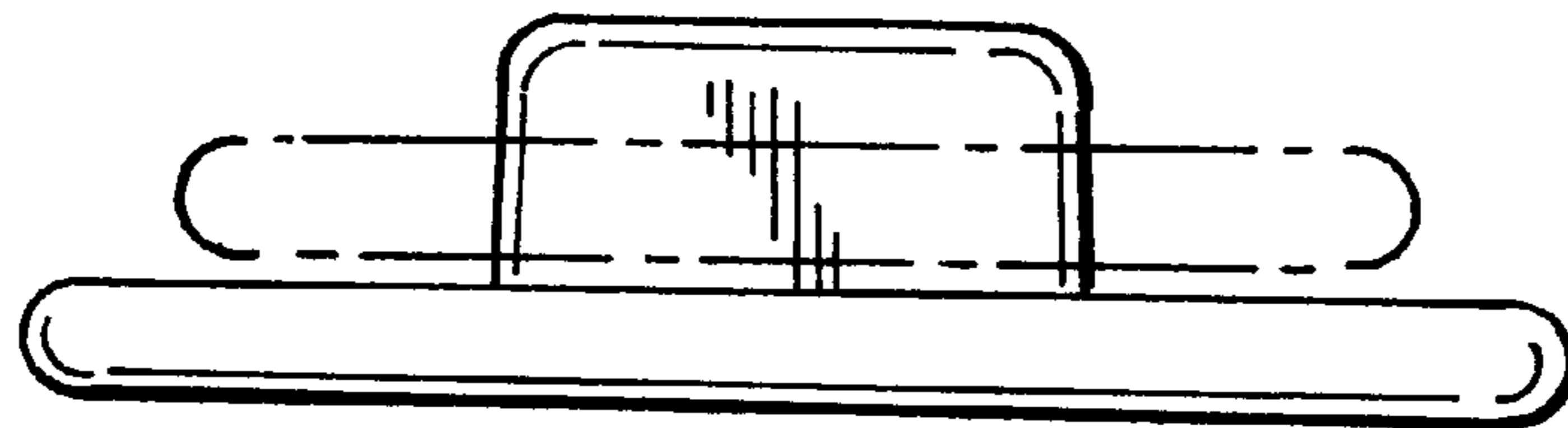


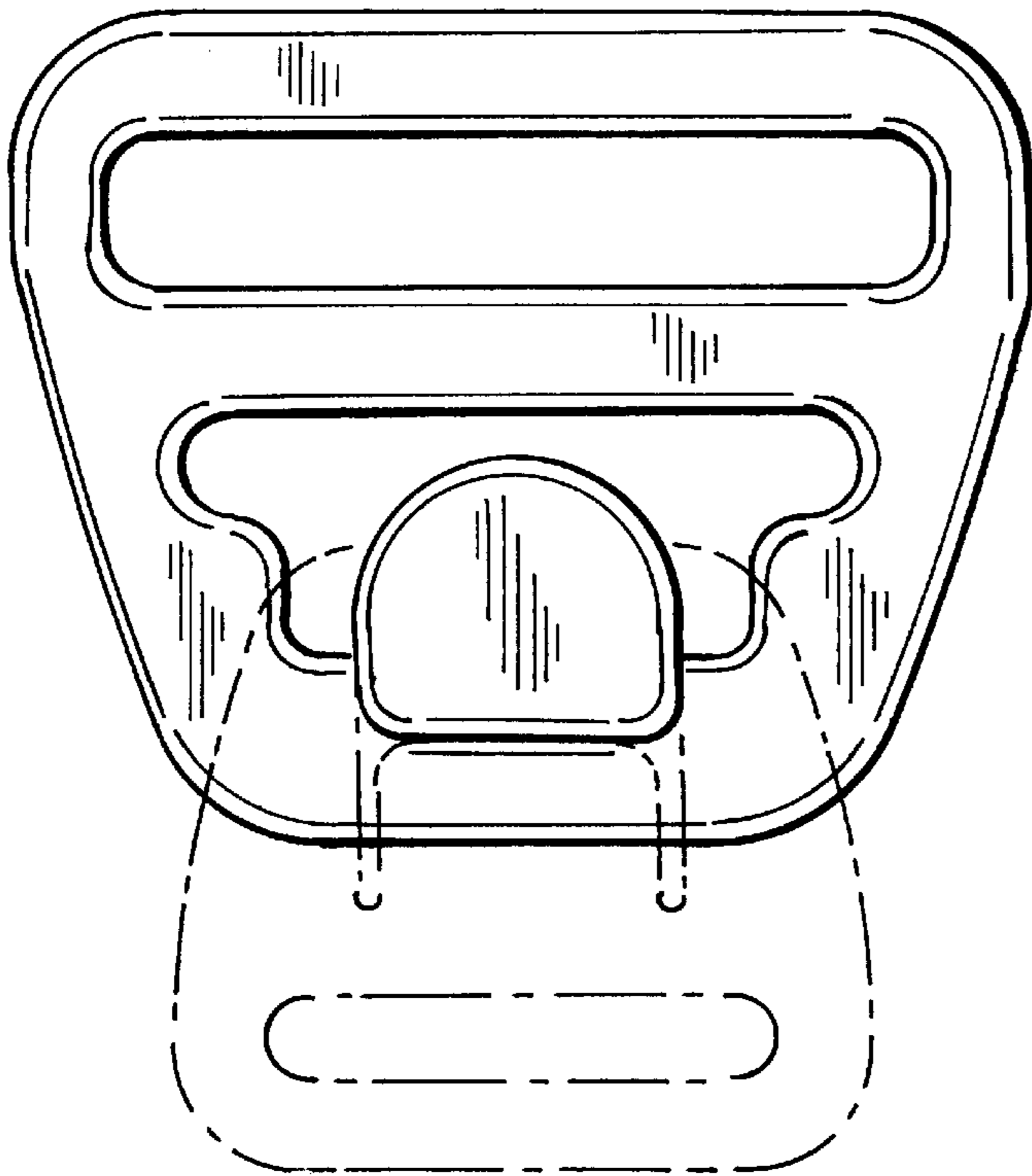
FIG. 3



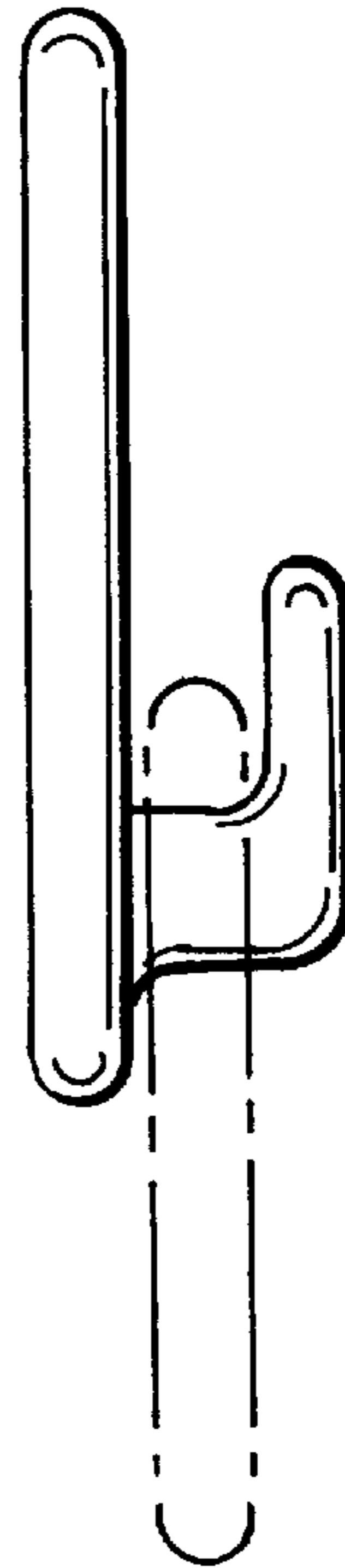
**FIG. 5**



**FIG. 6**



**FIG. 7**



**FIG. 8**

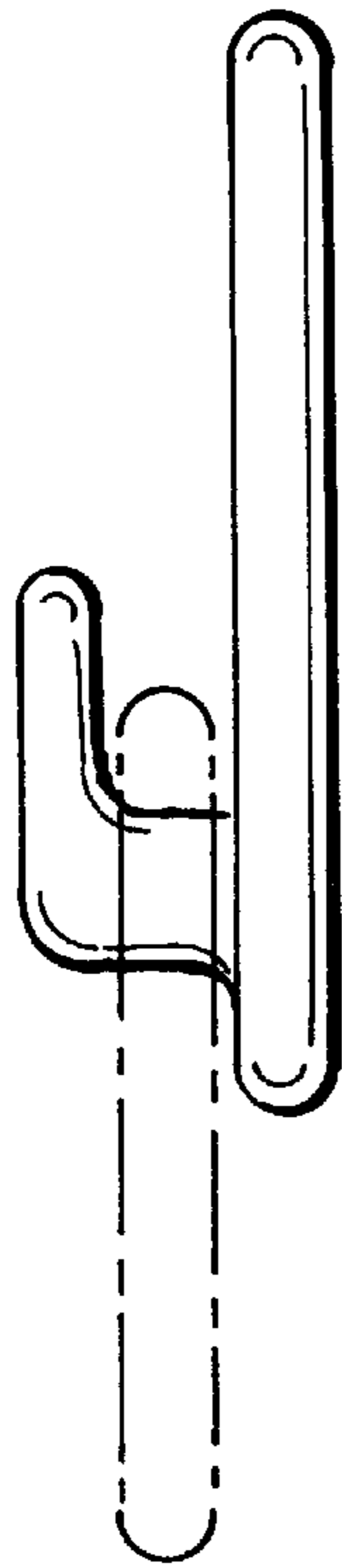


FIG. 10

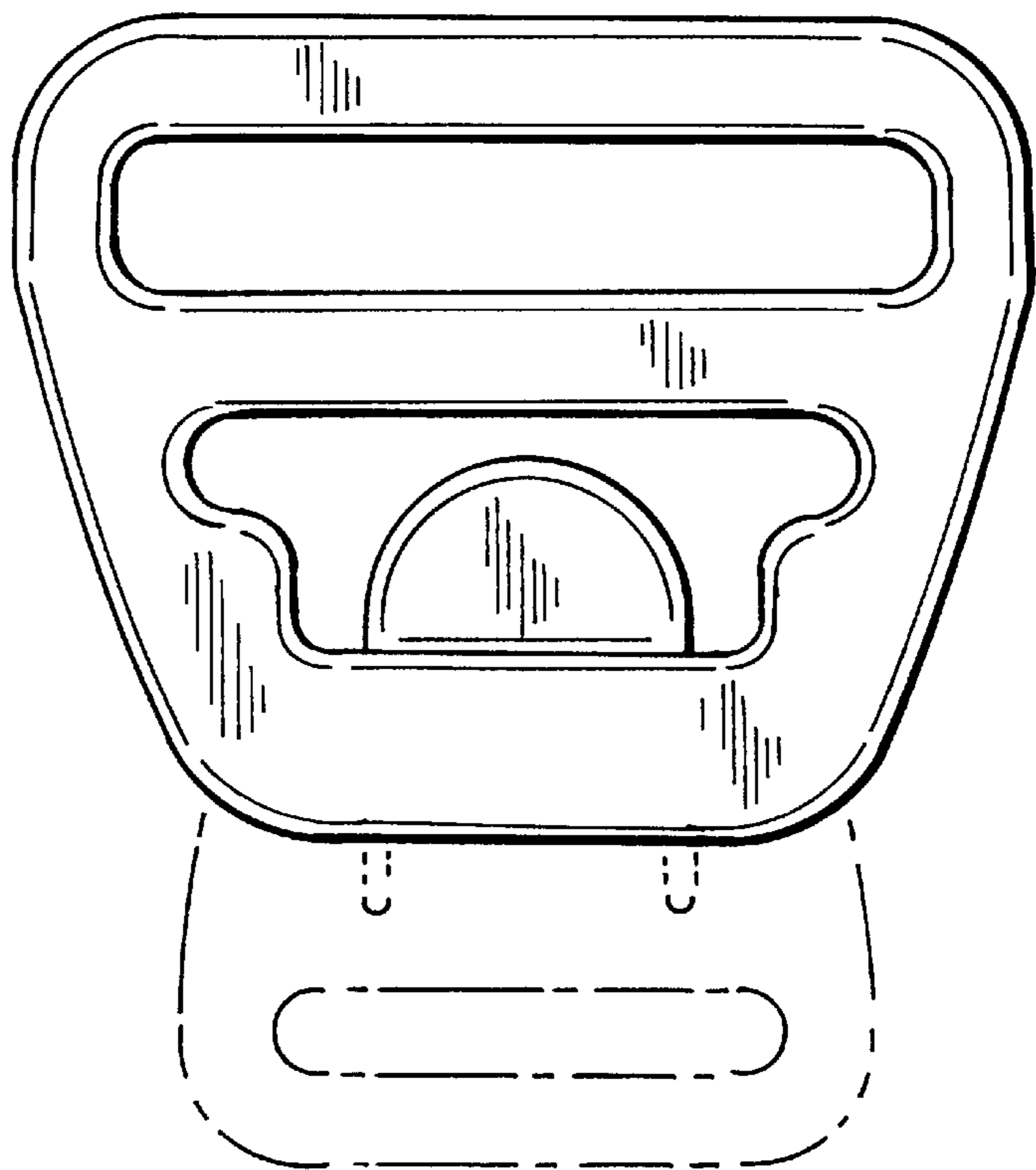
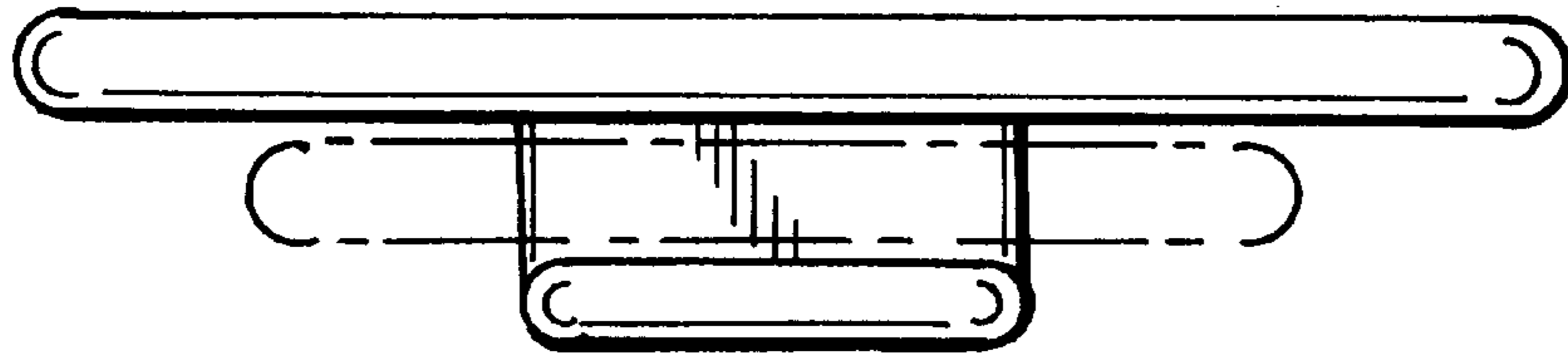
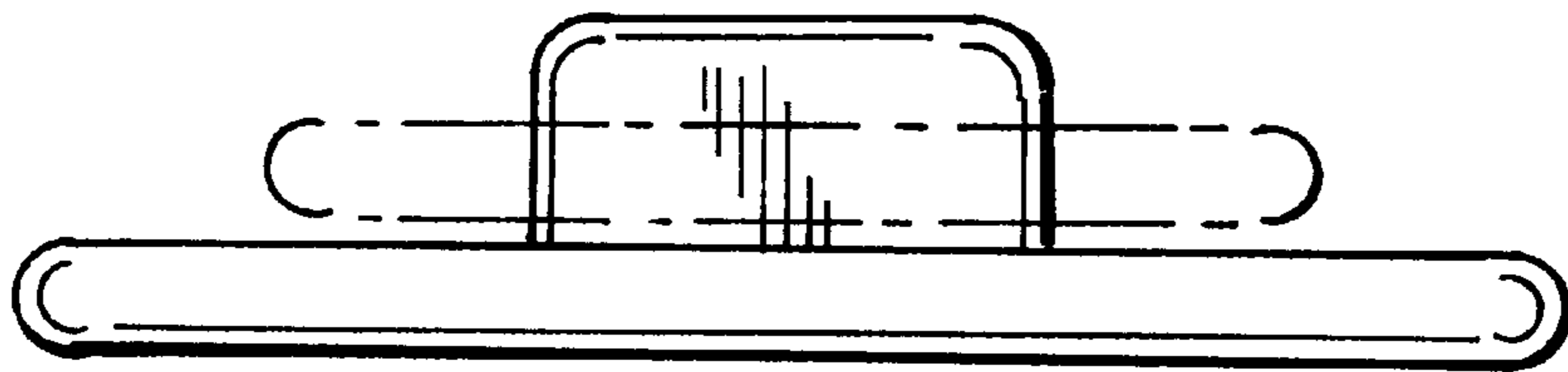


FIG. 9



**FIG. 11**



**FIG. 12**