



US00D412454S

United States Patent [19]
Berkelhammer

[11] **Patent Number: Des. 412,454**

[45] **Date of Patent: ** Aug. 3, 1999**

[54] **SIGHT GLASS FOR SPRINKLER SYSTEM LINES**

[75] Inventor: **Michael A. Berkelhammer,**
Greensboro, N.C.

[73] Assignee: **United Brass Works, Inc.,** Randleman,
N.C.

[**] Term: **14 Years**

[21] Appl. No.: **29/086,615**

[22] Filed: **Apr. 16, 1998**

[51] **LOC (6) Cl. 10-04**

[52] **U.S. Cl. D10/103; D10/96**

[58] **Field of Search D10/96, 103; 73/49.2,**
73/323, 334, 311, 321, 293, 861.55; 116/276;
137/559; 250/577

[56] **References Cited**

U.S. PATENT DOCUMENTS

D. 256,000	7/1980	Molijn	D10/96
D. 315,526	3/1991	Esau	D10/96
4,788,929	12/1988	Krause et al.	116/276

OTHER PUBLICATIONS

Photocopy of catalog sheet of Grainger; p. 3096; date unknown but believed to be prior art.

Photocopy of catalog sheets of McMaster-Carr; pp. 1238-1239; date unknown but believed to be prior art.

Photocopy of drawing of United Brass Works, Inc. illustrating part No. 850020; dated Oct. 25, 1996.

Primary Examiner—Antoine Duval Davis
Attorney, Agent, or Firm—Rhodes, Coats & Bennett, LLP

[57] **CLAIM**

The ornamental design for sight glass for sprinkler system lines, as shown and described.

DESCRIPTION

FIG. 1 is a left front perspective view of an embodiment of a sight glass for sprinkler system lines showing my new design;

FIG. 2 is a front view thereof, the opposite side being the mirror image thereof;

FIG. 3 is a left end view thereof;

FIG. 4 is a right end view thereof;

FIG. 5 is a top view thereof;

FIG. 6 is a left front perspective view of a second embodiment of the design;

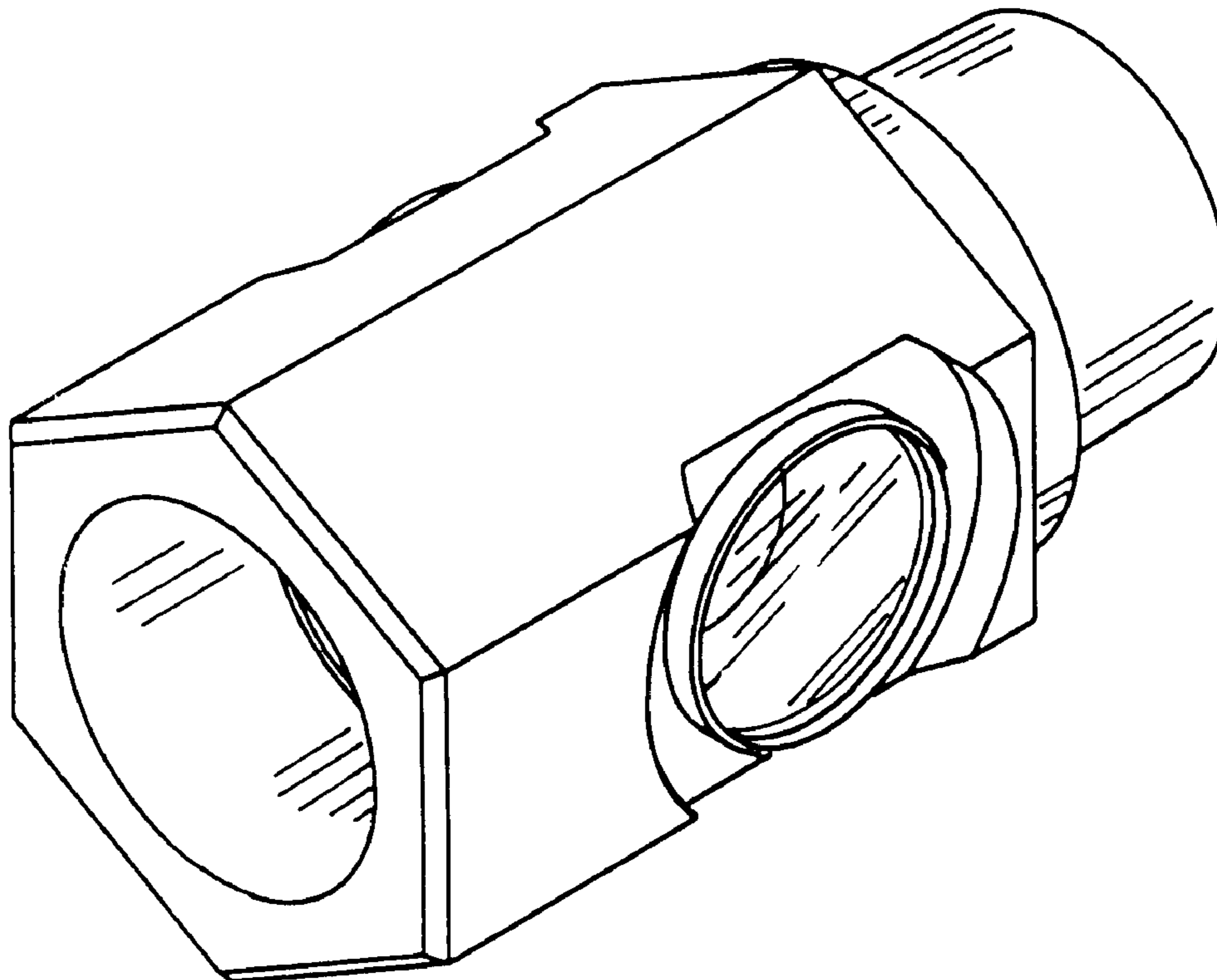
FIG. 7 is a front view thereof, the opposite side being the mirror image thereof;

FIG. 8 is an left end view thereof;

FIG. 9 is a right end view thereof; and,

FIG. 10 is a bottom view thereof.

1 Claim, 2 Drawing Sheets



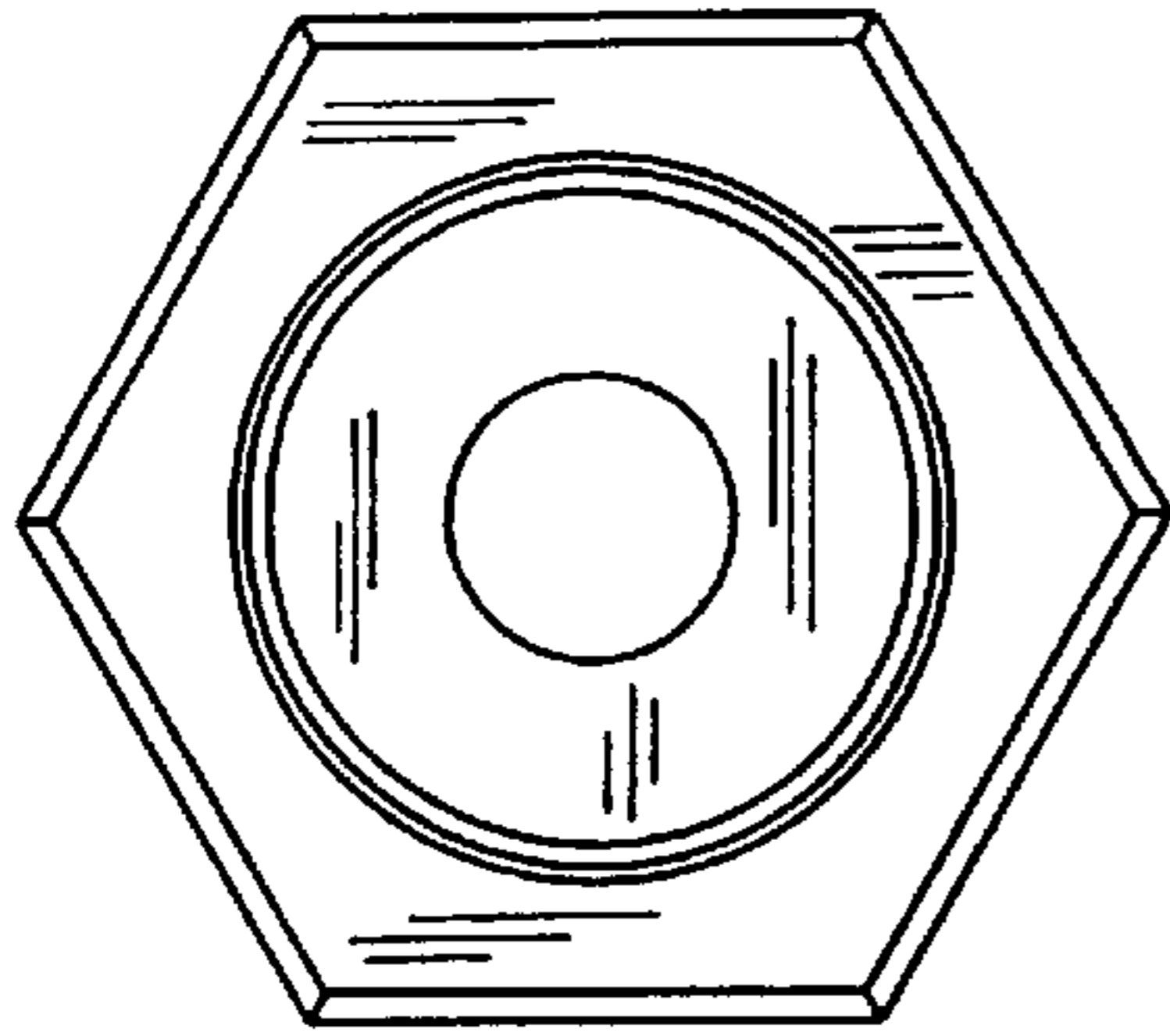


FIG. 3

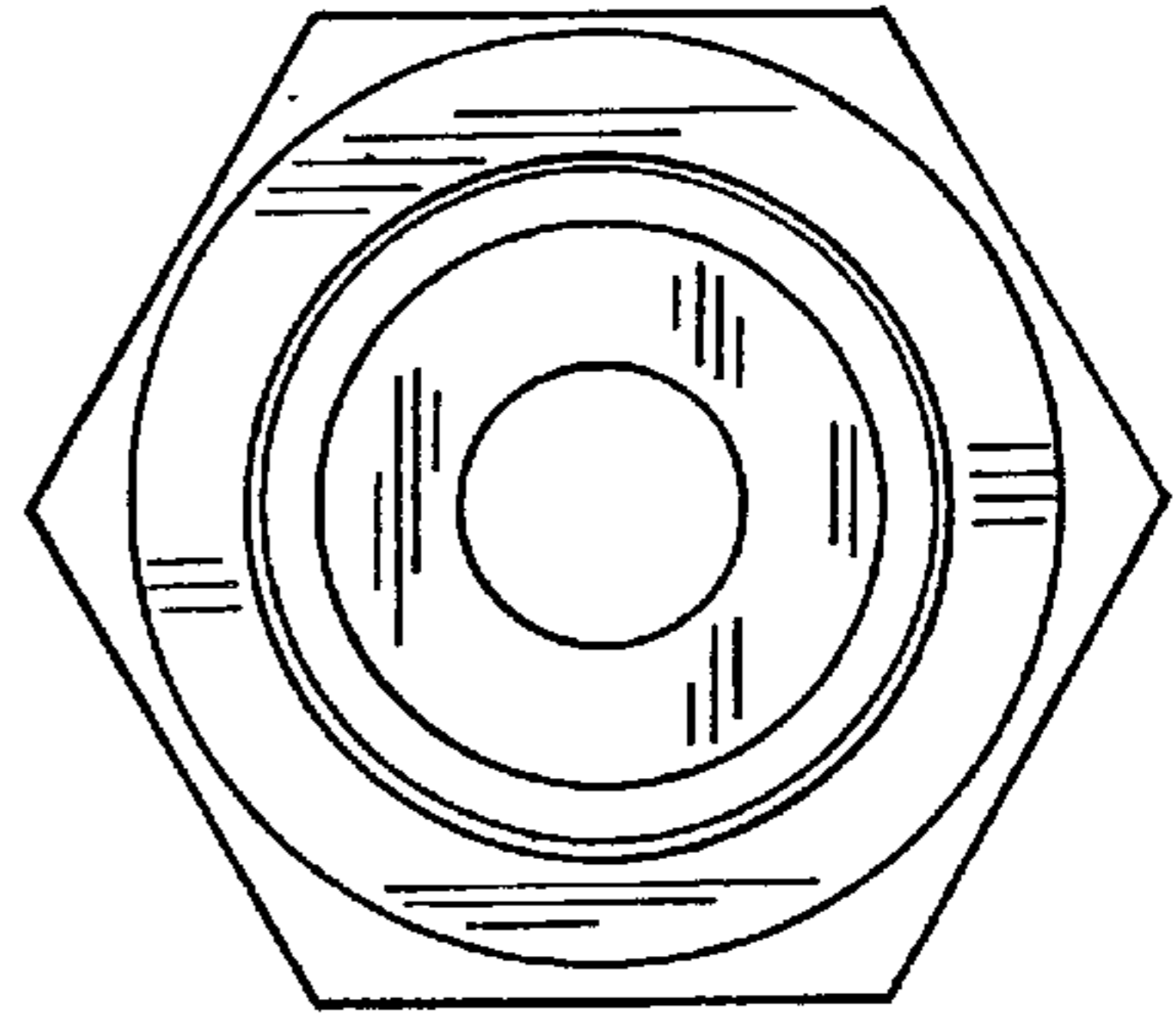


FIG. 4

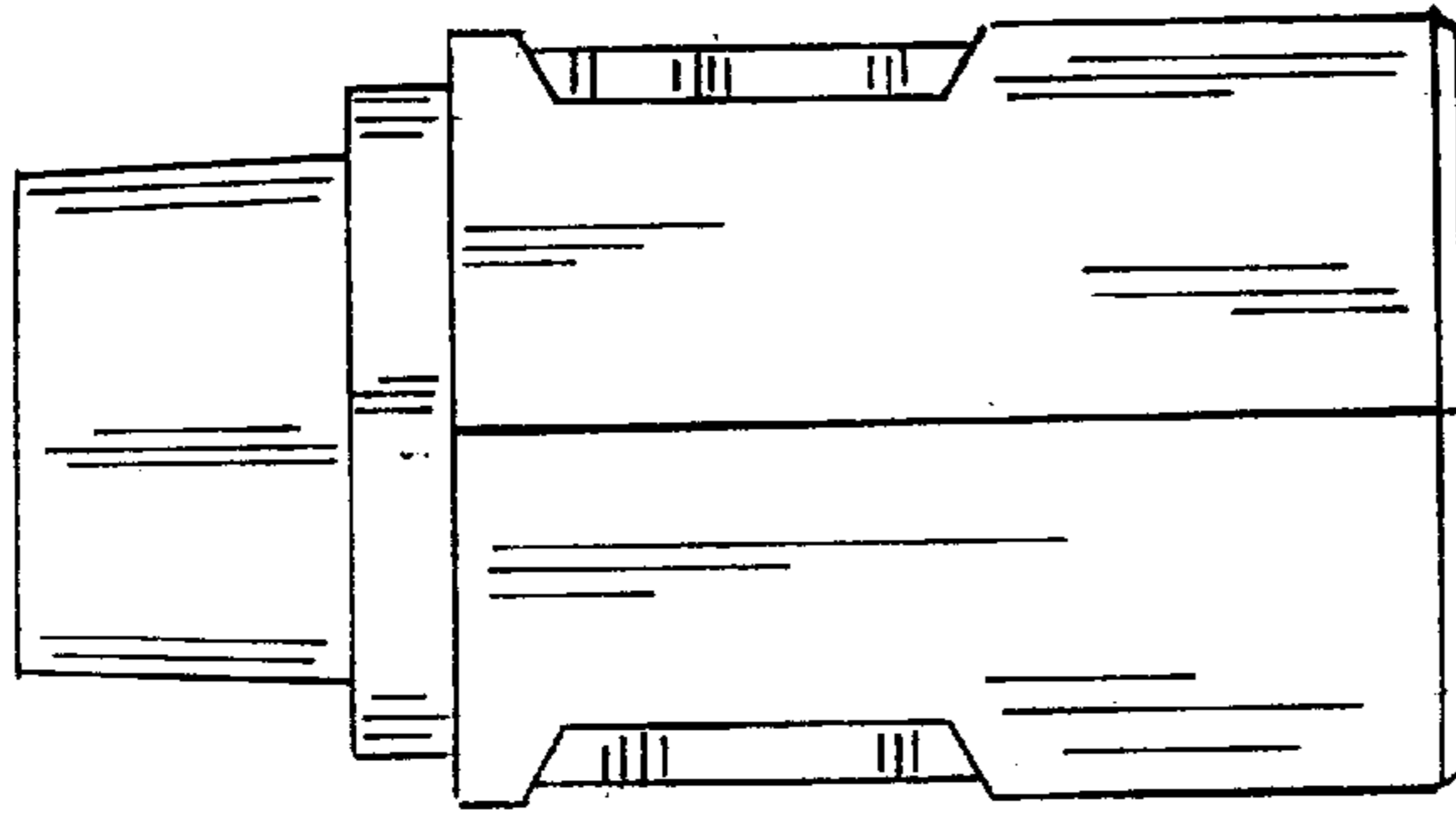


FIG. 5

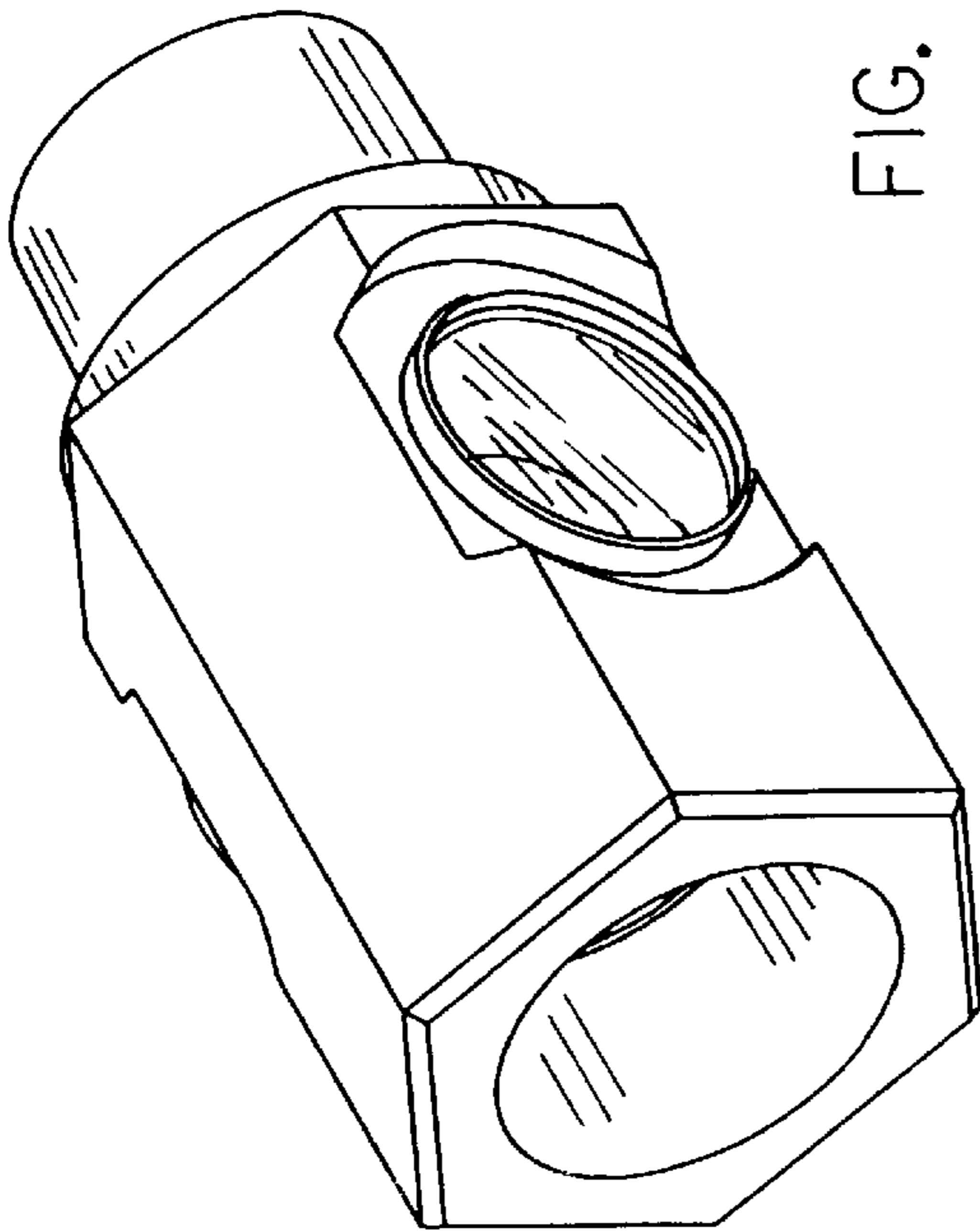
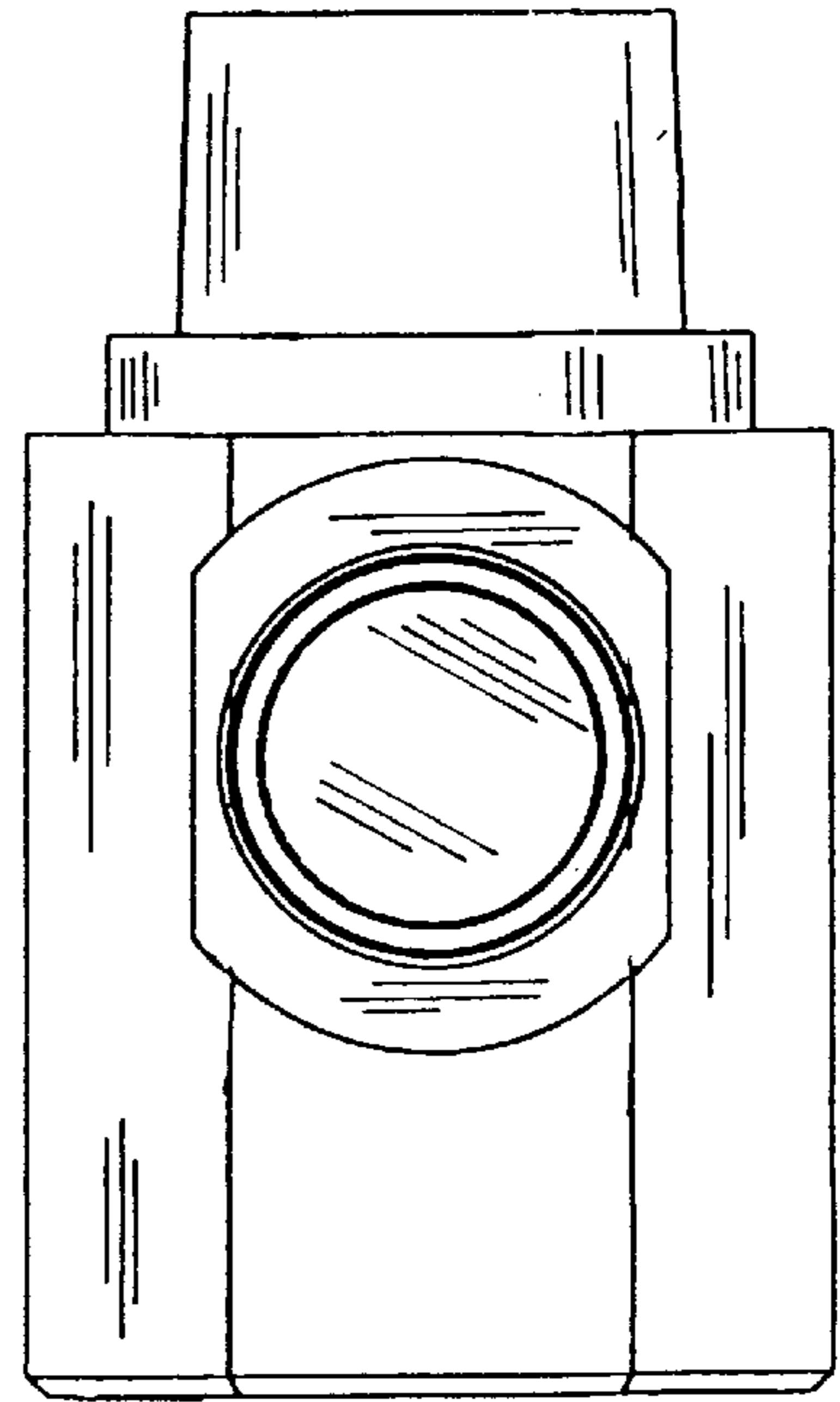


FIG. 1

FIG. 2



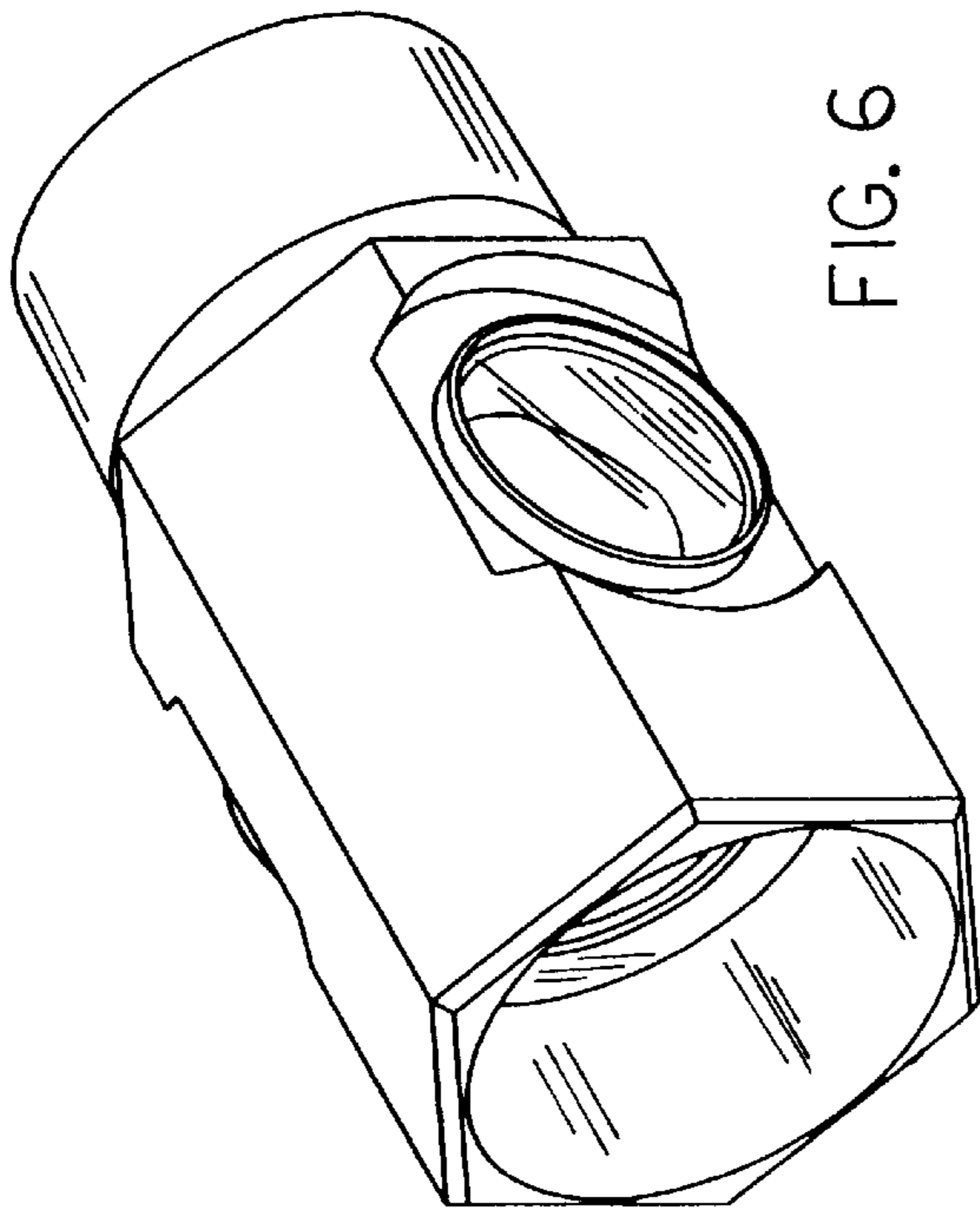


FIG. 6

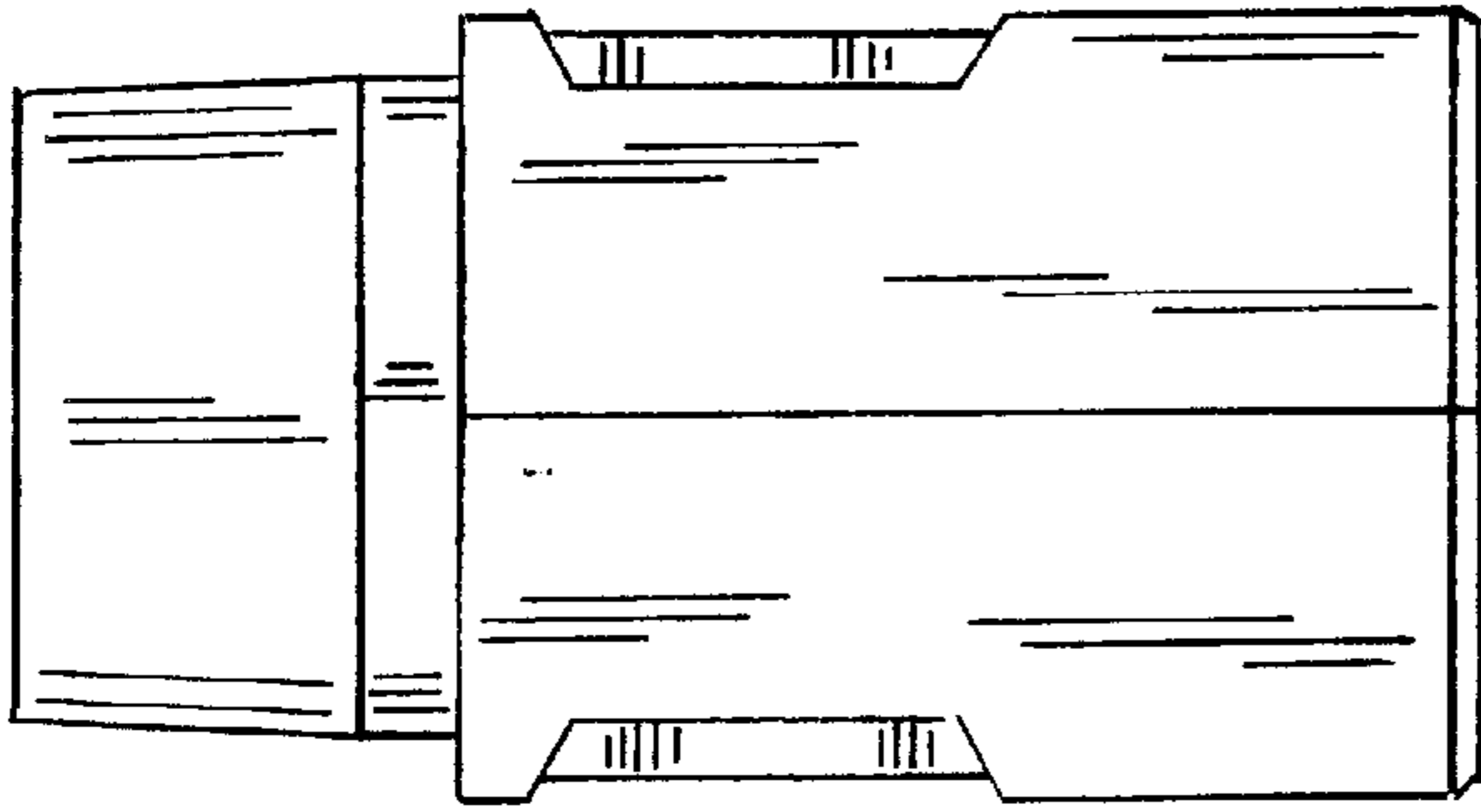


FIG. 10

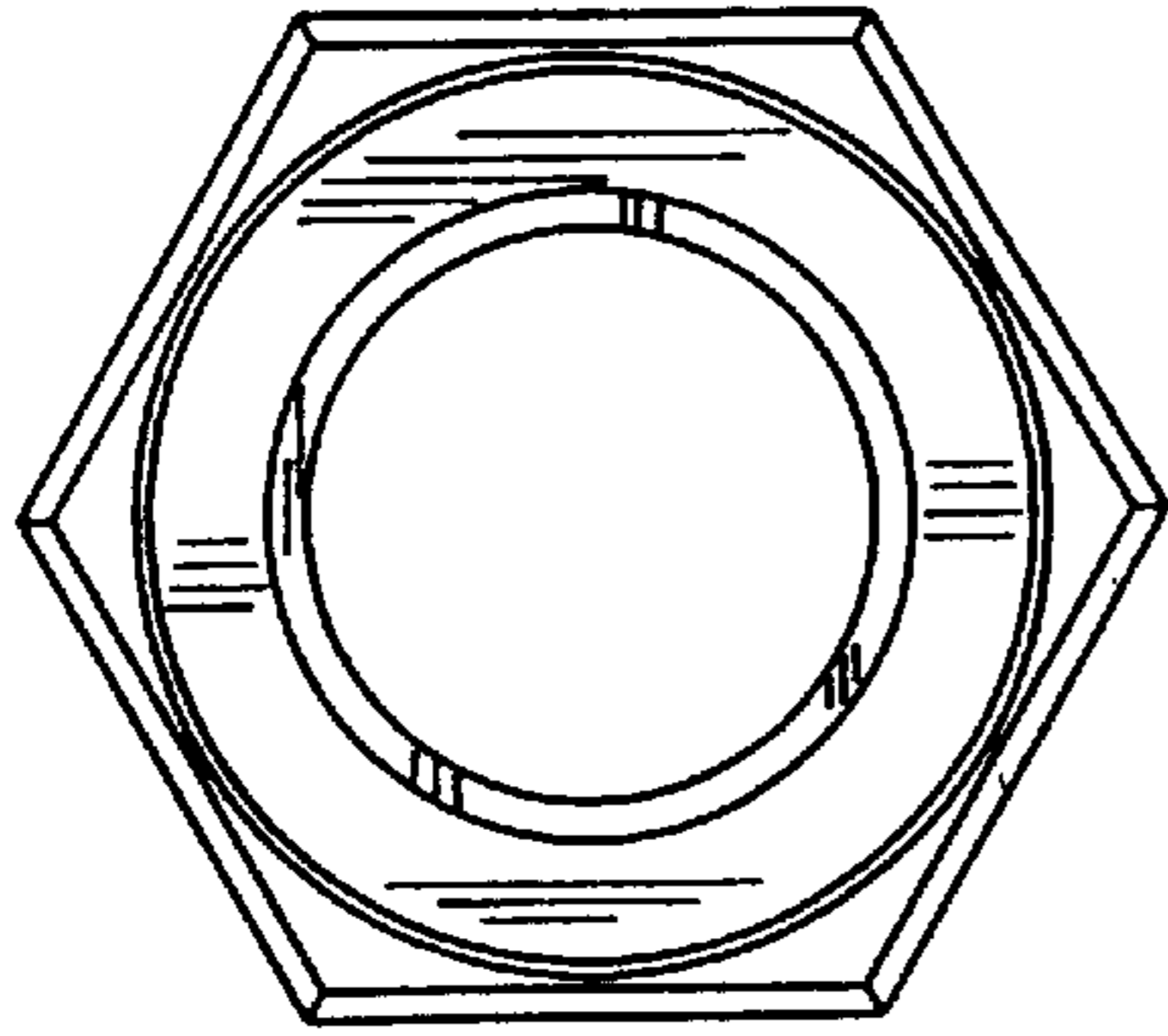


FIG. 8

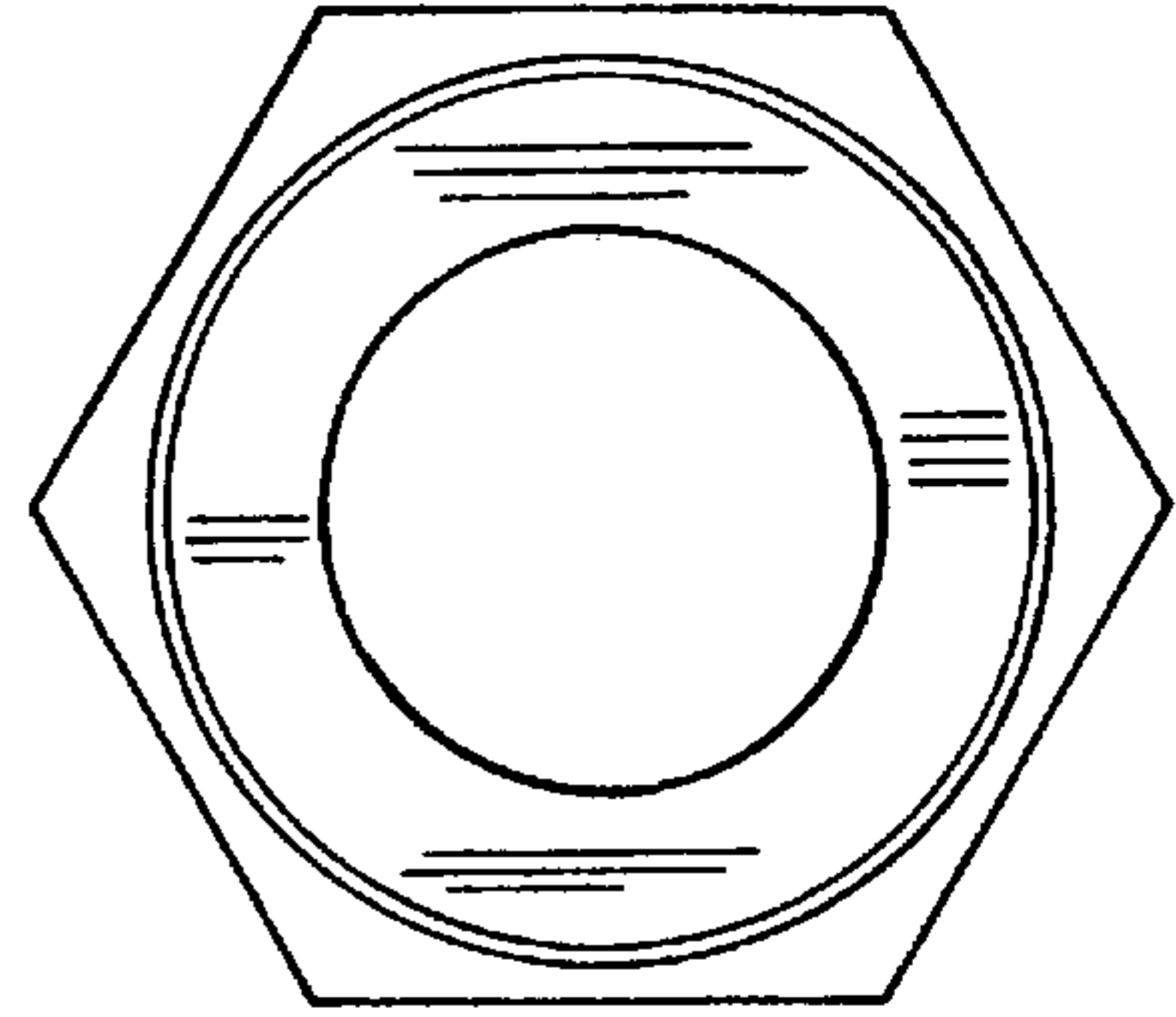


FIG. 9

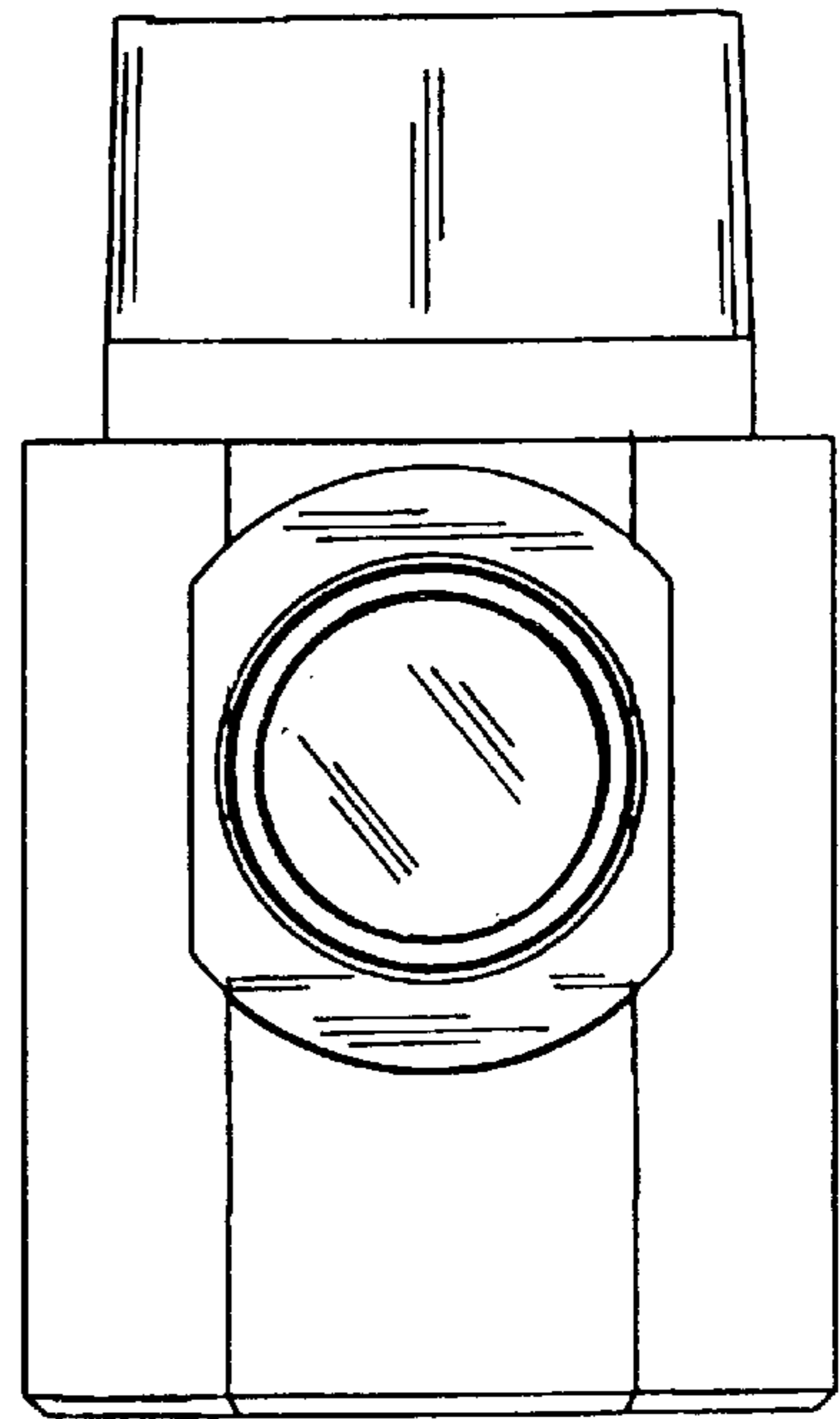


FIG. 7