



US00D412439S

# United States Patent [19] Cormack

[11] Patent Number: Des. 412,439

[45] Date of Patent: \*\* \*Aug. 3, 1999

[54] CONTAINER FOR IMPREGNATED WIPES

[75] Inventor: Judith Cormack, Marlow, United Kingdom

[73] Assignee: Johnson & Johnson Limited, Berkshire, United Kingdom

[\*] Notice: This patent is subject to a terminal disclaimer.

[\*\*] Term: 14 Years

[21] Appl. No.: 29/080,257

[22] Filed: Dec. 5, 1997

### [30] Foreign Application Priority Data

Jun. 27, 1997 [GB] United Kingdom ..... 2066978

[51] LOC (6) Cl. .... 09-07

[52] U.S. Cl. .... D9/425; D9/423

[58] Field of Search ..... D9/420-425, 431, D9/432, 337, 414; 206/508, 216, 581, 823, 822, 812, 210, 494; 220/335, 337, 253, 376, 380; 221/33, 45, 52, 56, 40, 41, 55

### [56] References Cited

#### U.S. PATENT DOCUMENTS

D. 285,906	9/1986	Tyler	.....	D9/425
D. 330,161	10/1992	Schuh	.....	D9/423
D. 367,609	3/1996	Frank et al.	.....	D9/425
3,836,044	9/1974	Tilp et al.	.....	221/55
3,841,466	10/1974	Hoffman et al.	.....	206/812 X

4,113,095	9/1978	Dietz et al.	.....	206/508
4,428,497	1/1984	Julius et al.	.....	206/812 X
5,036,997	8/1991	May et al.	.....	220/337 X
5,050,737	9/1991	Joslyn et al.	.....	206/494
5,368,188	11/1994	Twardowski	.....	221/50
5,533,621	7/1996	Schoal, Jr.	.....	206/812 X

### OTHER PUBLICATIONS

Rubbermaid Cat, p. 10, 1985.

Primary Examiner—Prabhakar Deshmukh  
Attorney, Agent, or Firm—Lawrence D. Schuler

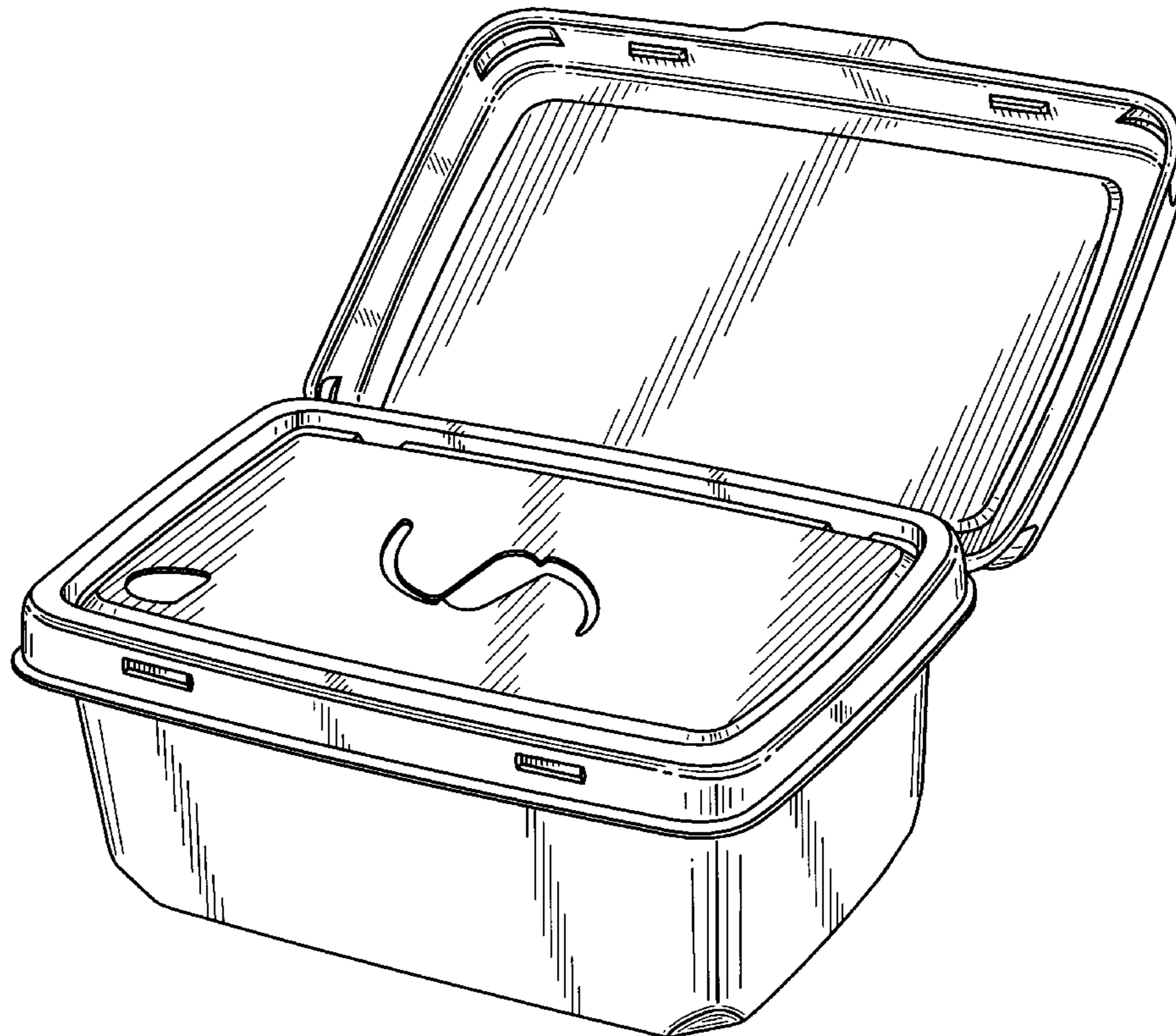
### [57] CLAIM

The ornamental design for a container for impregnated wipes, as shown and described.

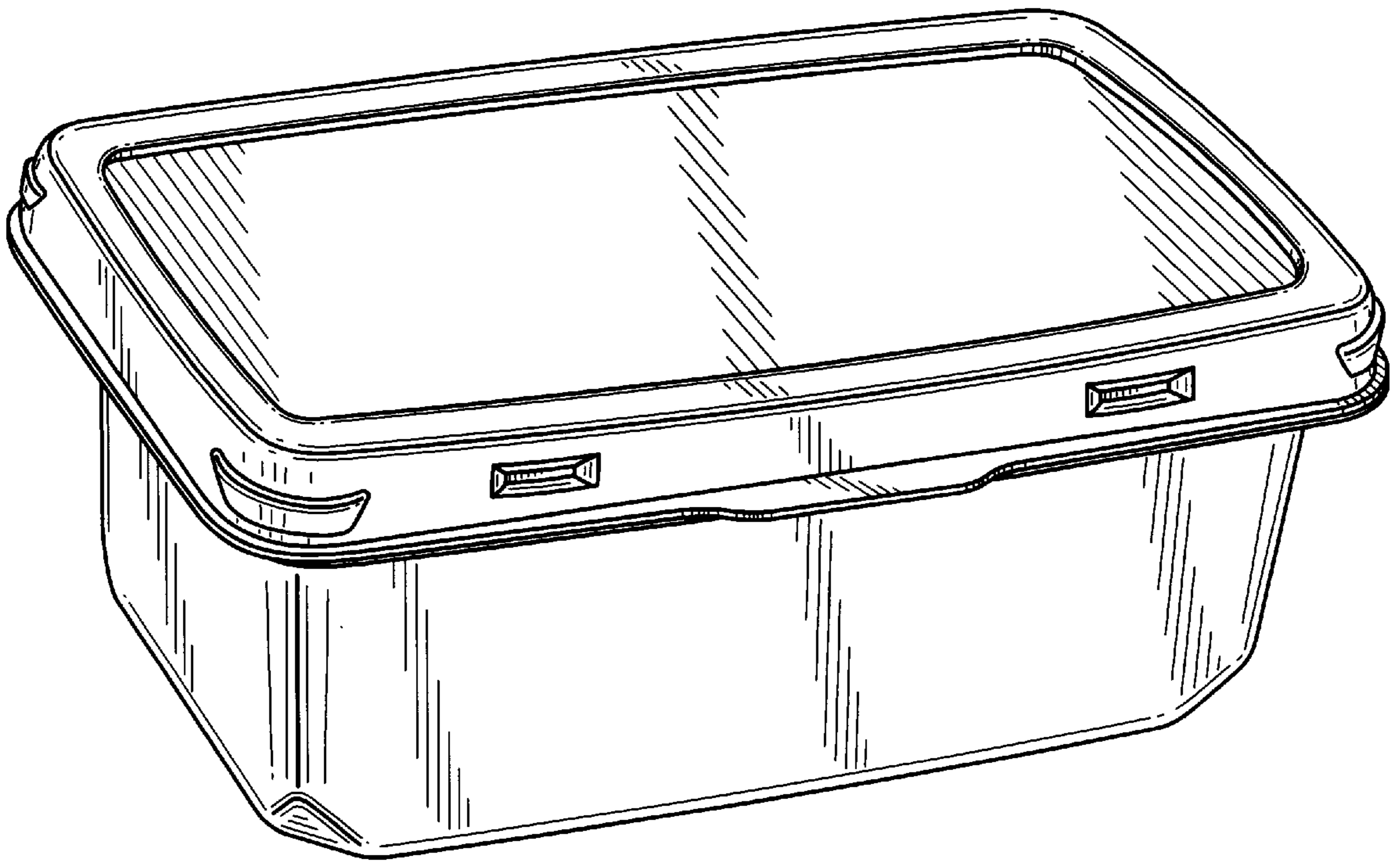
### DESCRIPTION

FIG. 1 is a perspective view from the top and front and showing the container of my new design;  
 FIG. 2 is a perspective view from the bottom and rear of the container;  
 FIG. 3 is a top plan view thereof;  
 FIG. 4 is a front elevational view thereof;  
 FIG. 5 is a left side elevational view thereof, the right side view being a mirror image;  
 FIG. 6 is a rear elevational view thereof;  
 FIG. 7 is a bottom plan view thereof;  
 FIG. 8 is a perspective view thereof, with the lid shown in an open position; and,  
 FIG. 9 is a top plan view of the container with the lid thereof in an open position and partially in cut condition.

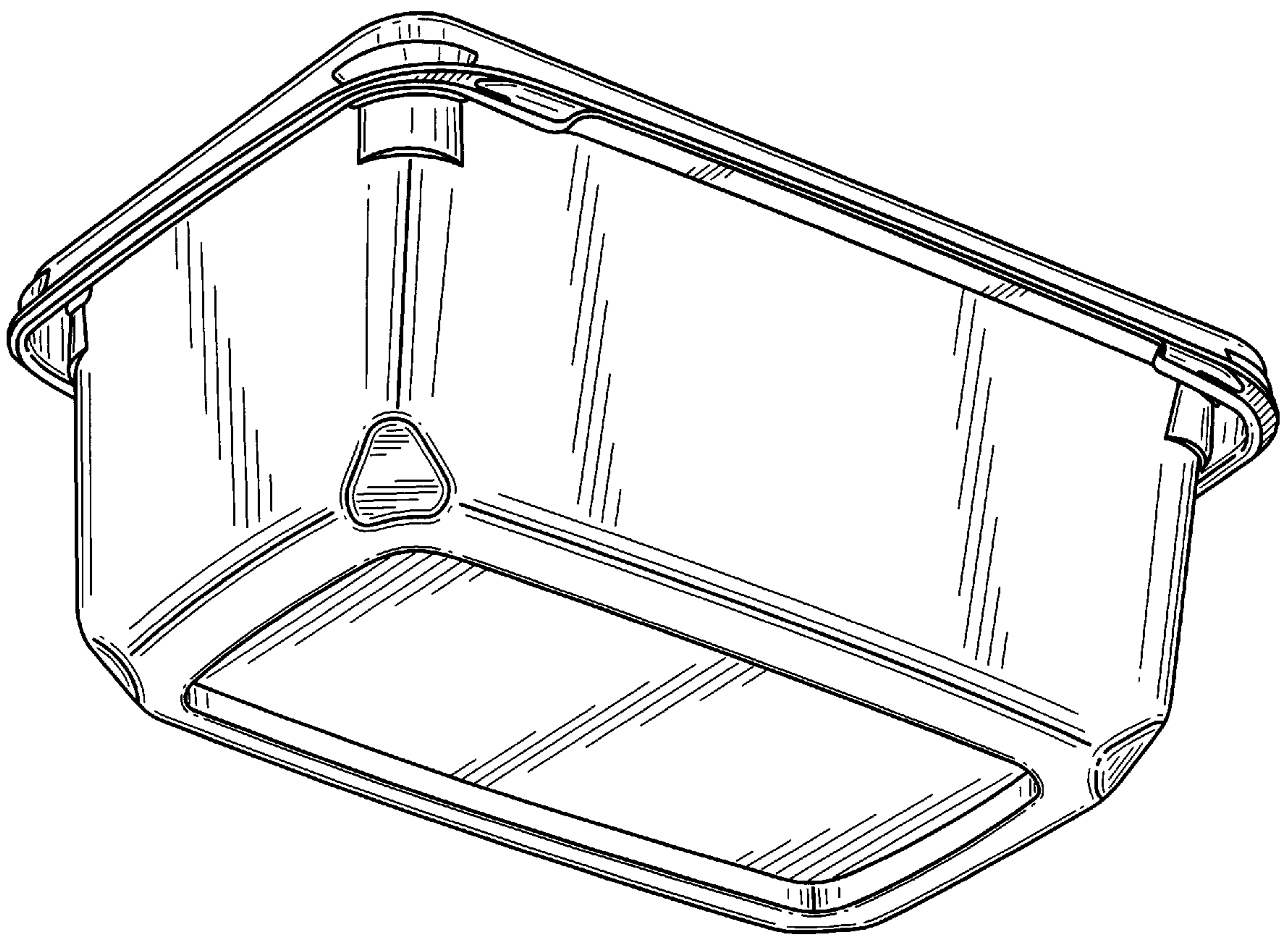
1 Claim, 7 Drawing Sheets



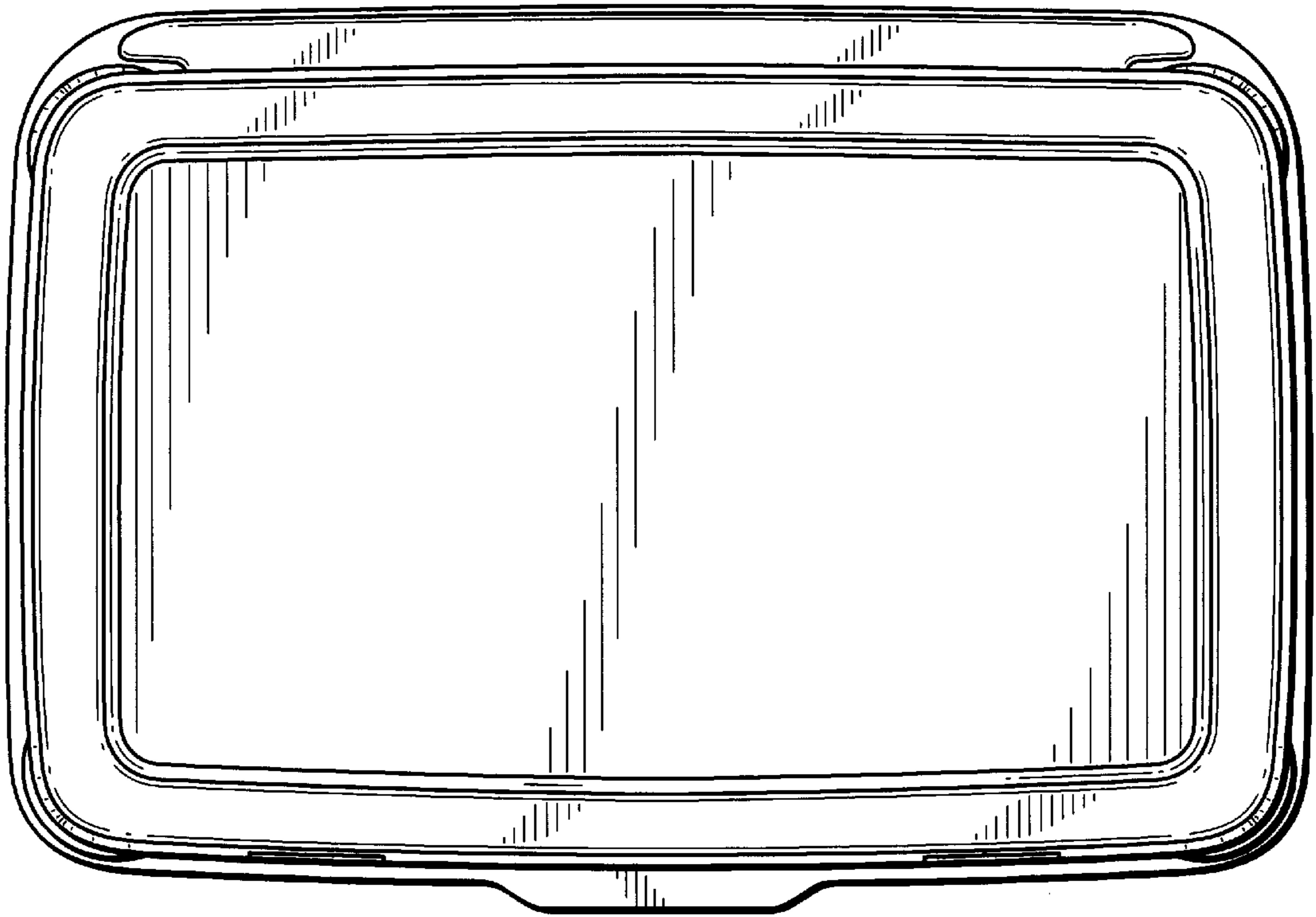
**FIG. 1**



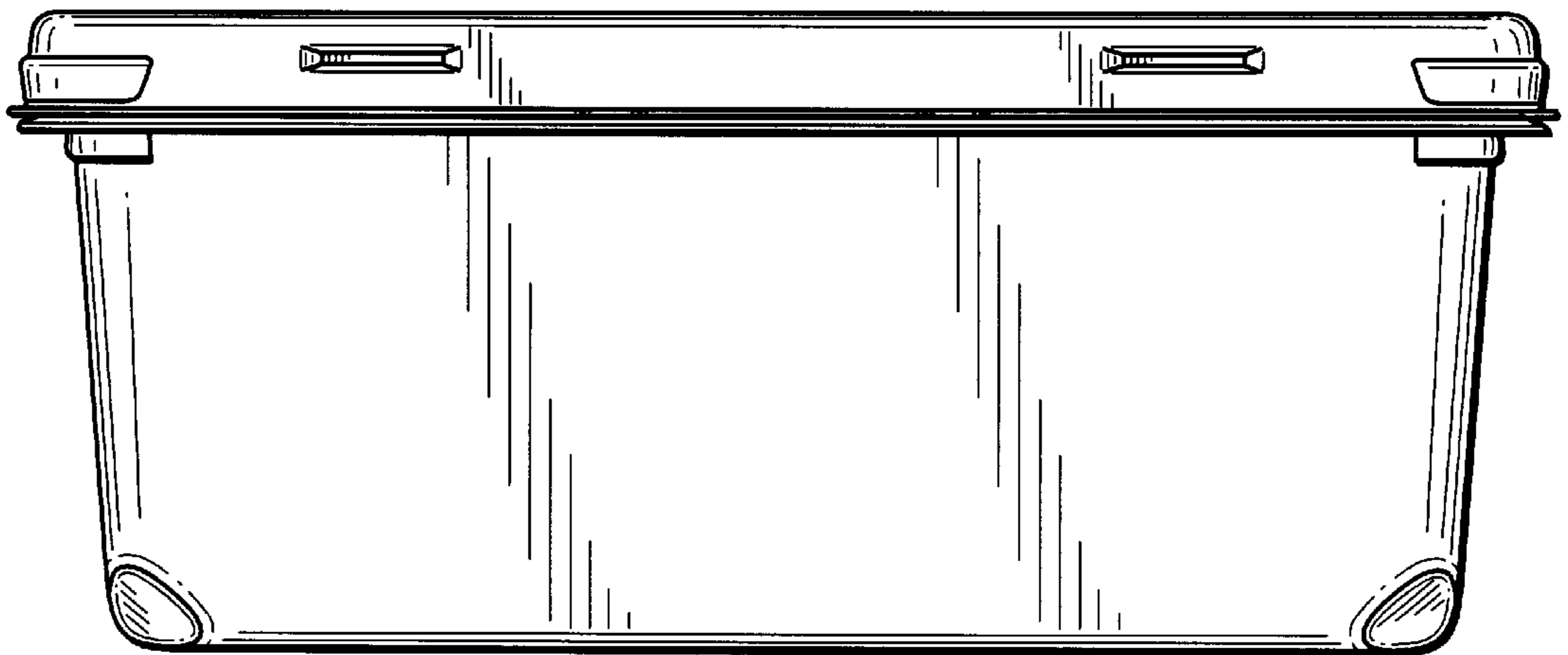
**FIG. 2**



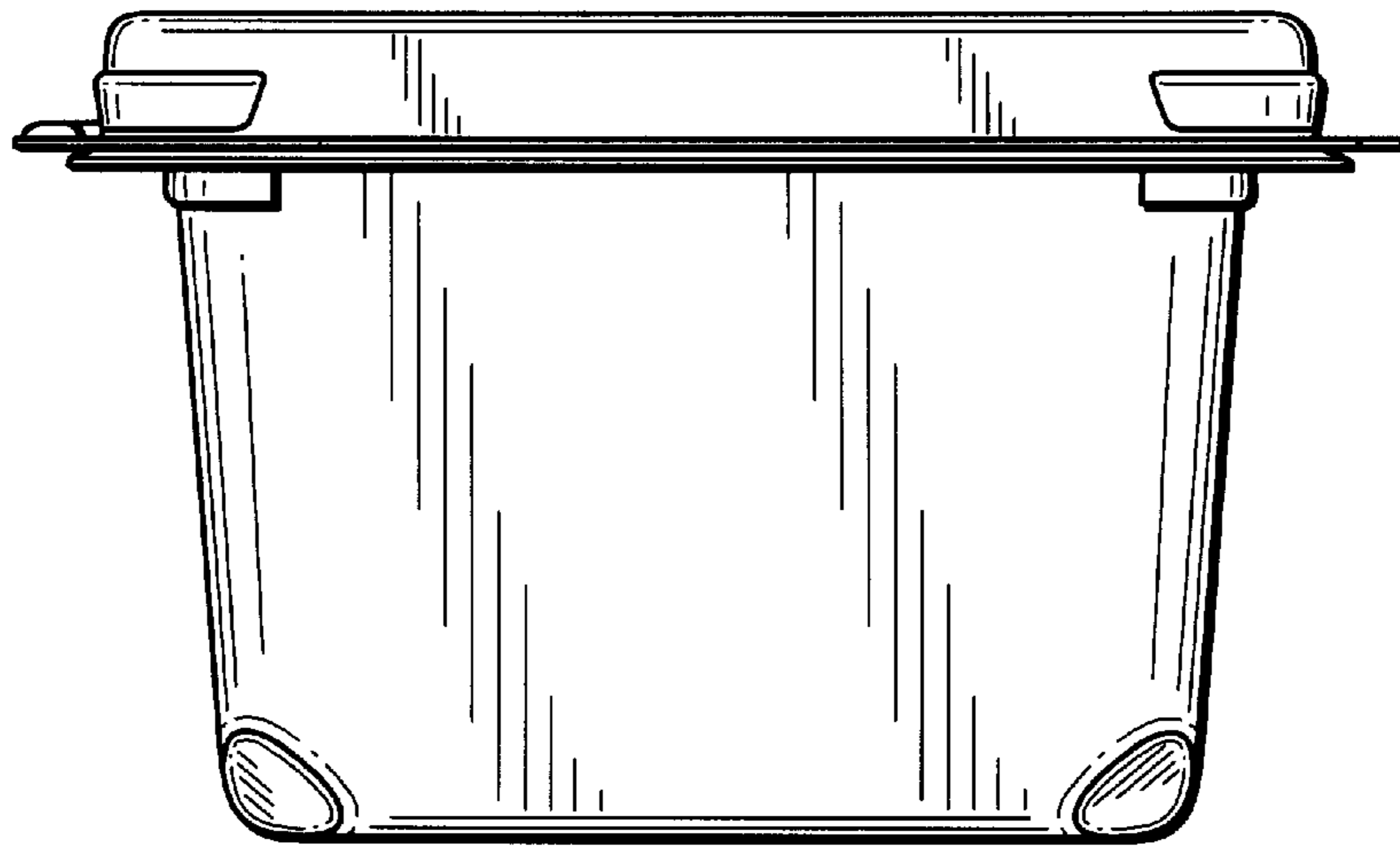
**FIG. 3**



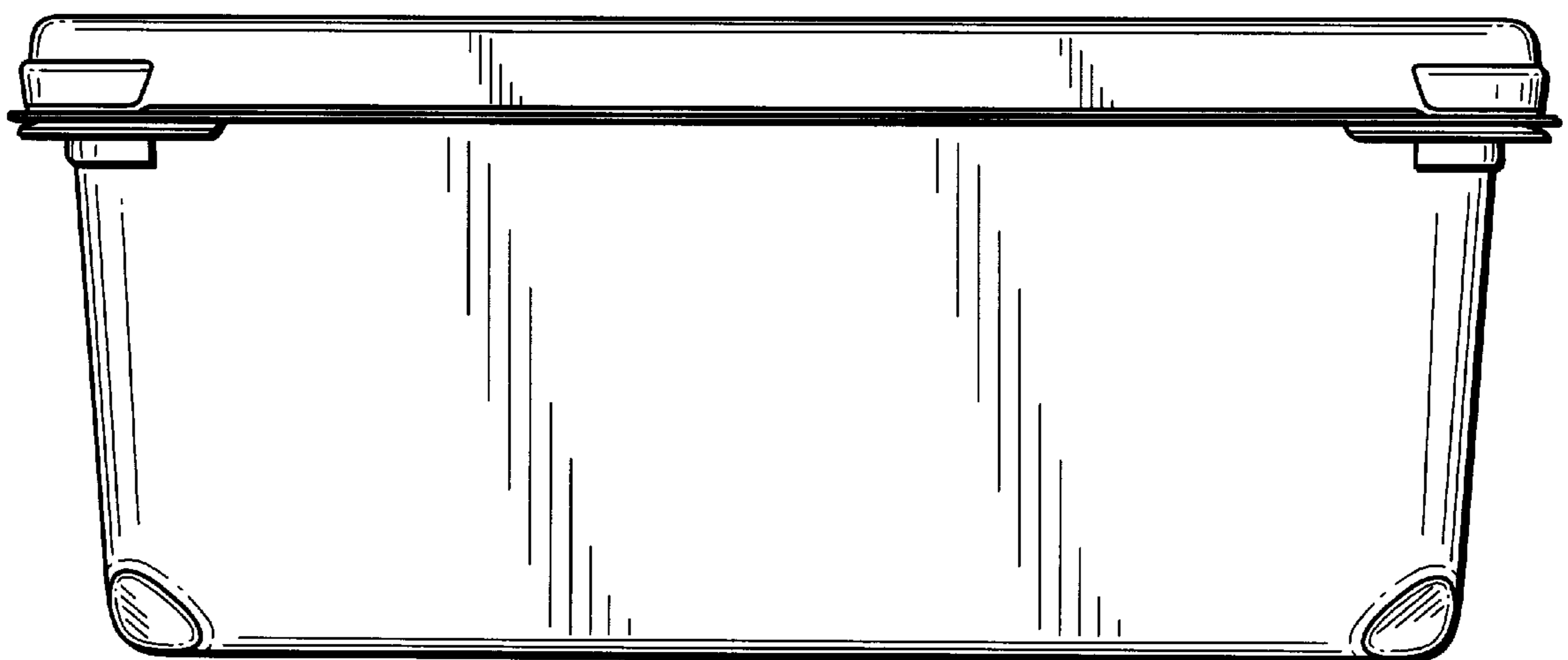
**FIG. 4**



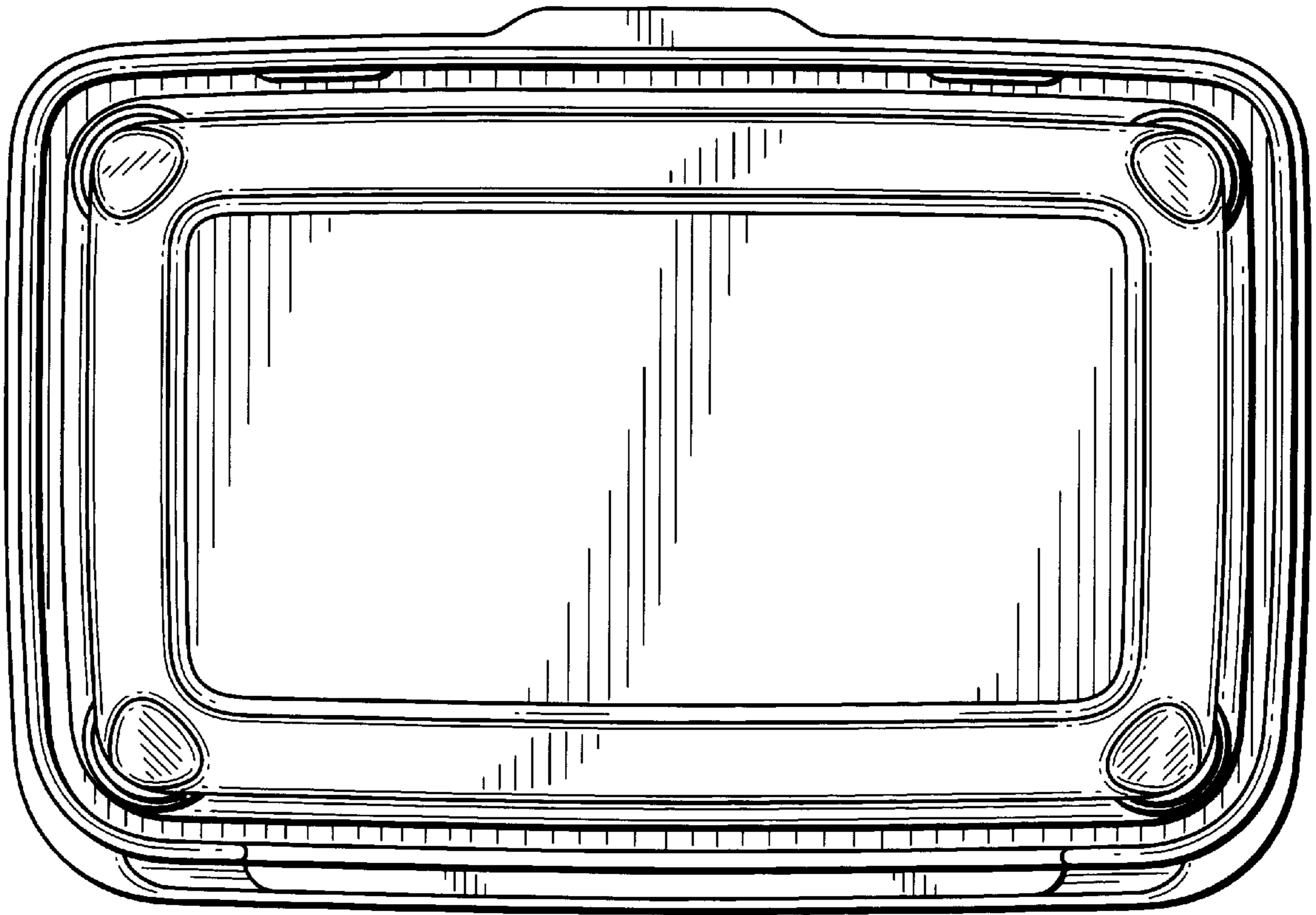
**FIG. 5**

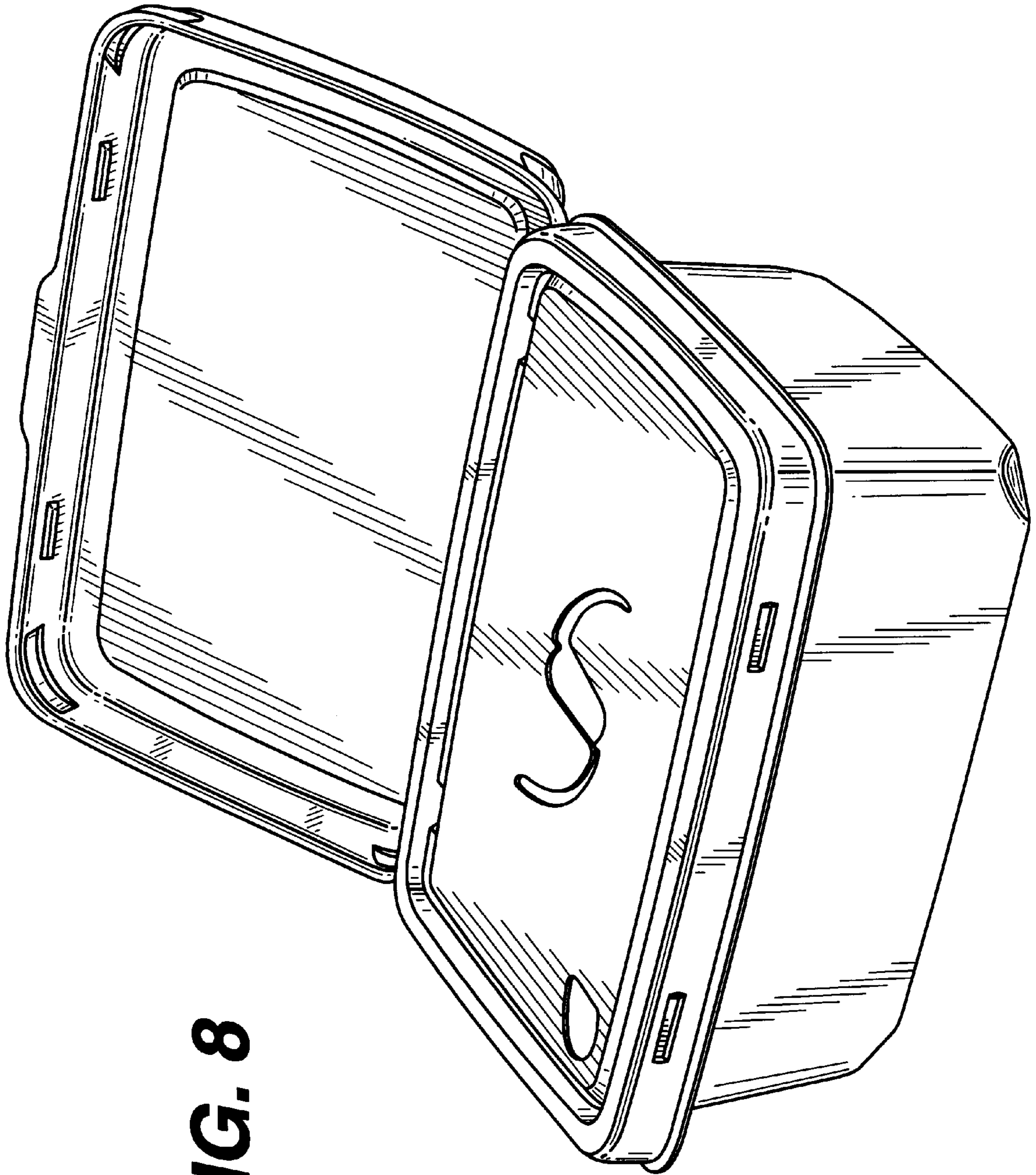


**FIG. 6**



**FIG. 7**





**FIG. 8**

**FIG. 9**

