



US00D412436S

United States Patent [19]

Tsui

[11] Patent Number: Des. 412,436

[45] Date of Patent: ** Aug. 3, 1999

[54] CORNER BUMPER

[76] Inventor: Jones Tsui, 1130 Front St., Alhambra, Calif. 91803

[**] Term: 14 Years

[21] Appl. No.: 29/077,409

[22] Filed: Oct. 2, 1997

[51] LOC (6) Cl. 08-09

[52] U.S. Cl. D8/403

[58] Field of Search 52/287.1, 288.1; 248/345.1; 206/453, 586; D8/400, 402, 403

[56] References Cited

U.S. PATENT DOCUMENTS

- D. 246,625 12/1977 Becker, II D8/403
- D. 302,789 8/1989 Levine D8/403
- D. 356,946 4/1995 Rekuc D8/403

OTHER PUBLICATIONS

Colson Bumpers, Group 2900 Library, Feb. 1979.

Primary Examiner—Susan J. Lucas
Assistant Examiner—Jennifer Rivard

Attorney, Agent, or Firm—Robert J. Schaap

[57] CLAIM

The ornamental design for a corner bumper, as shown and described.

DESCRIPTION

FIG. 1 is a perspective view of a corner bumper in accordance with the design of the present invention;

FIG. 2 is a perspective view of the corner bumper from a right-hand side thereof with reference to FIG. 1;

FIG. 3 is a left elevational view taken along the plane of a line 3—3 of FIG. 1;

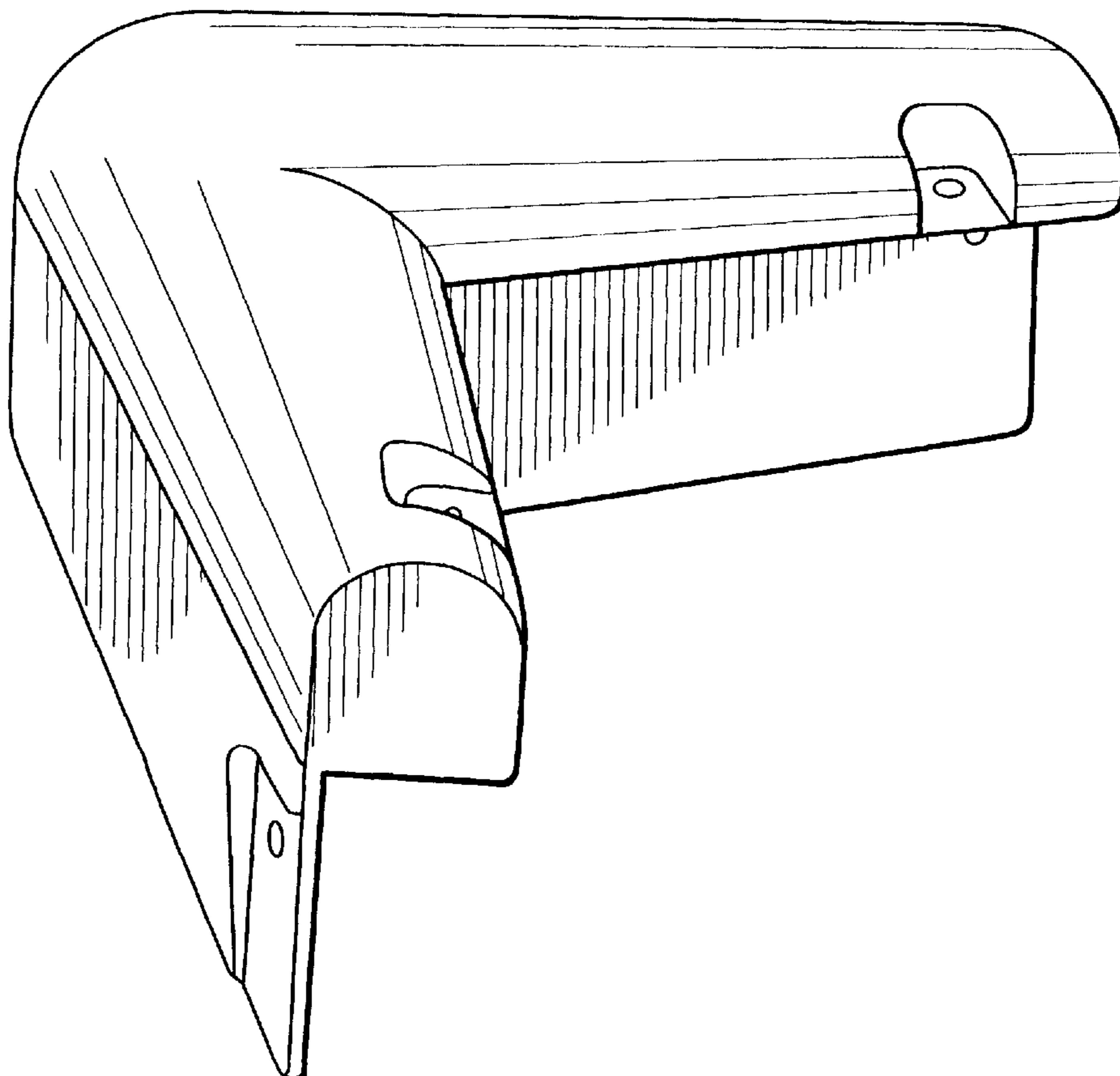
FIG. 4 is a front elevational view taken along the plane of line 4—4 of FIG. 1;

FIG. 5 is a right elevational view taken along the plane of line 5—5 of FIG. 1, the rear elevational view being substantially a mirror image;

FIG. 6 is a top plan view of the corner bumper; and,

FIG. 7 is a bottom plan view of the corner bumper.

1 Claim, 3 Drawing Sheets



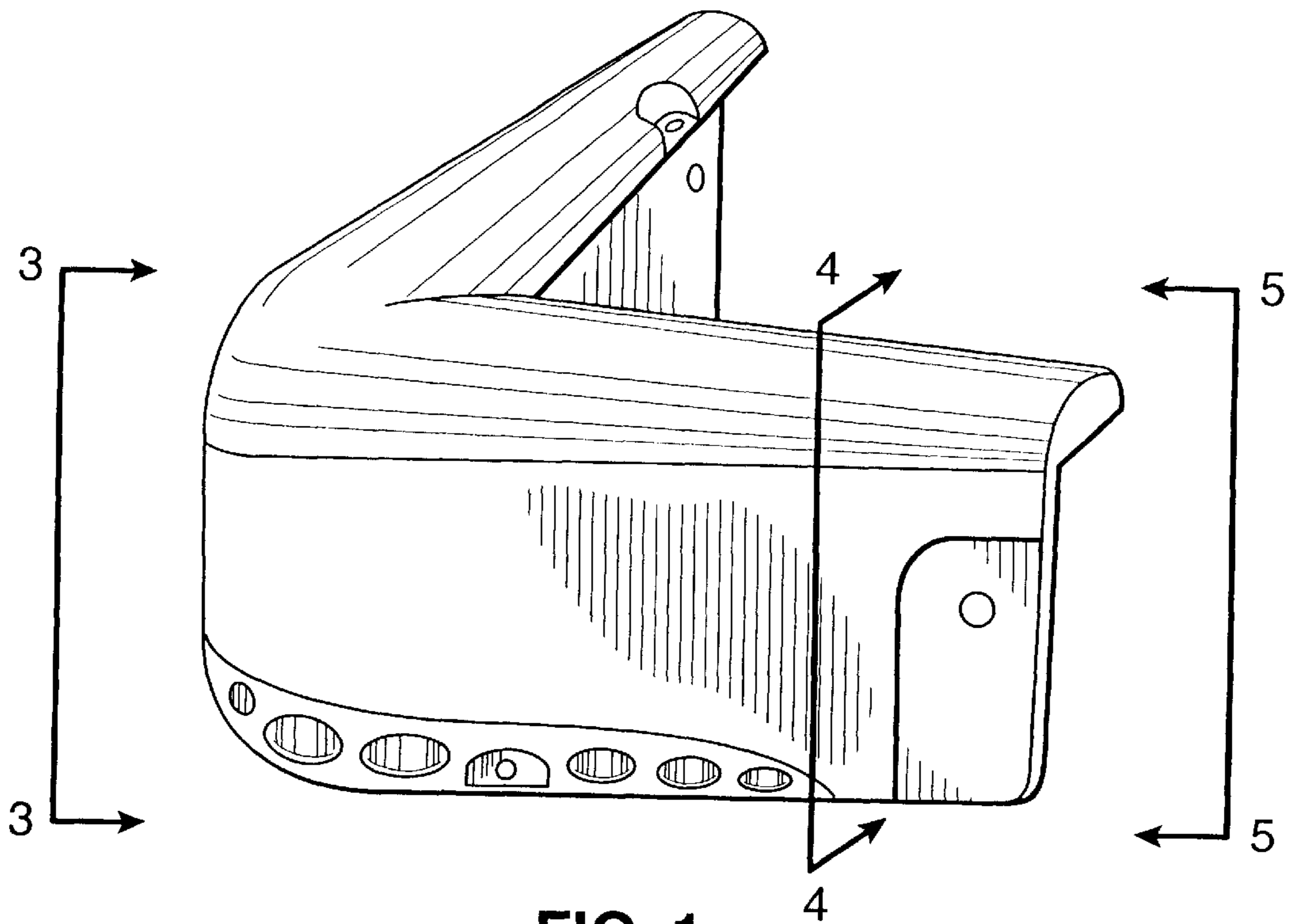


FIG. 1

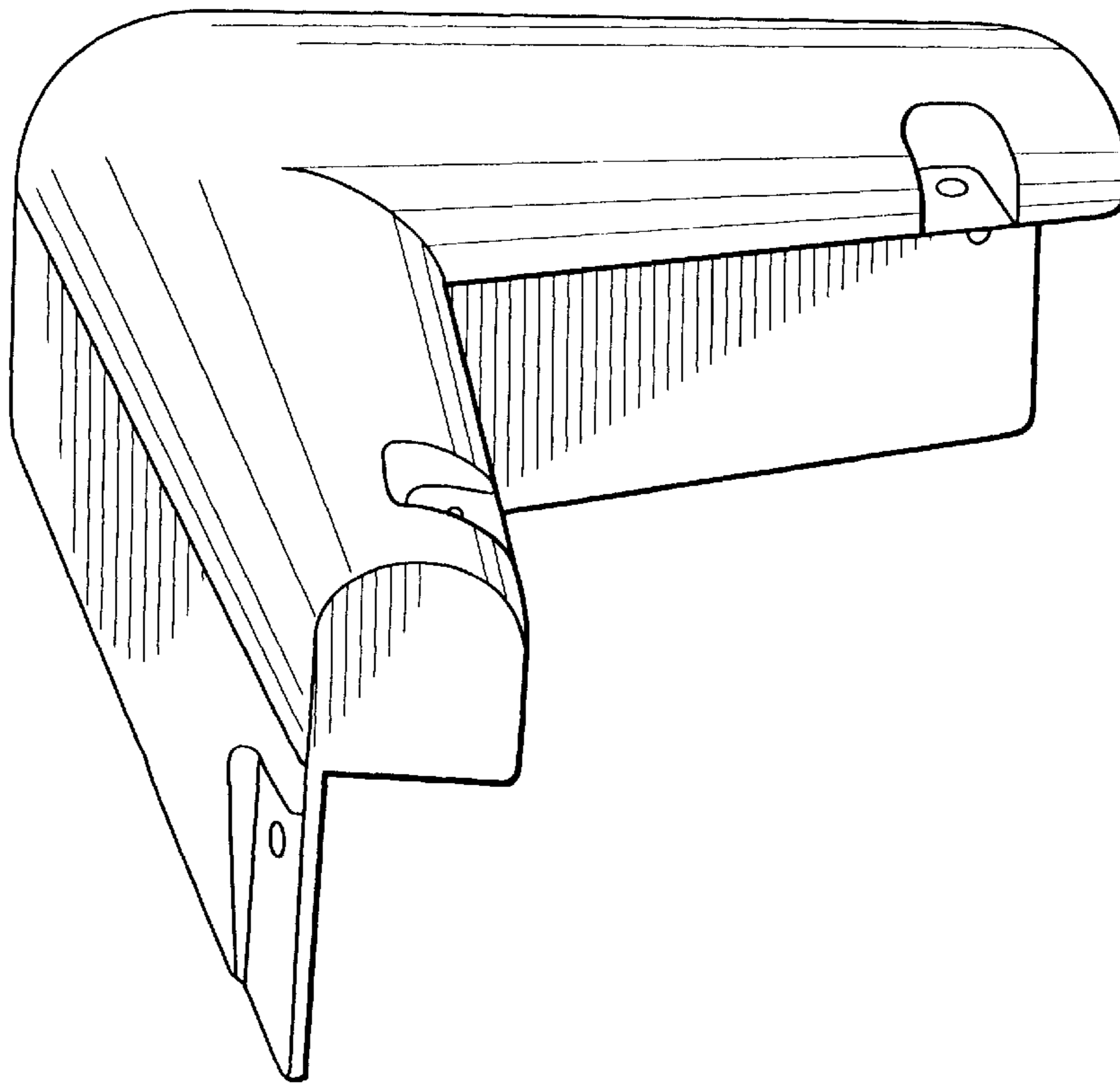


FIG. 2

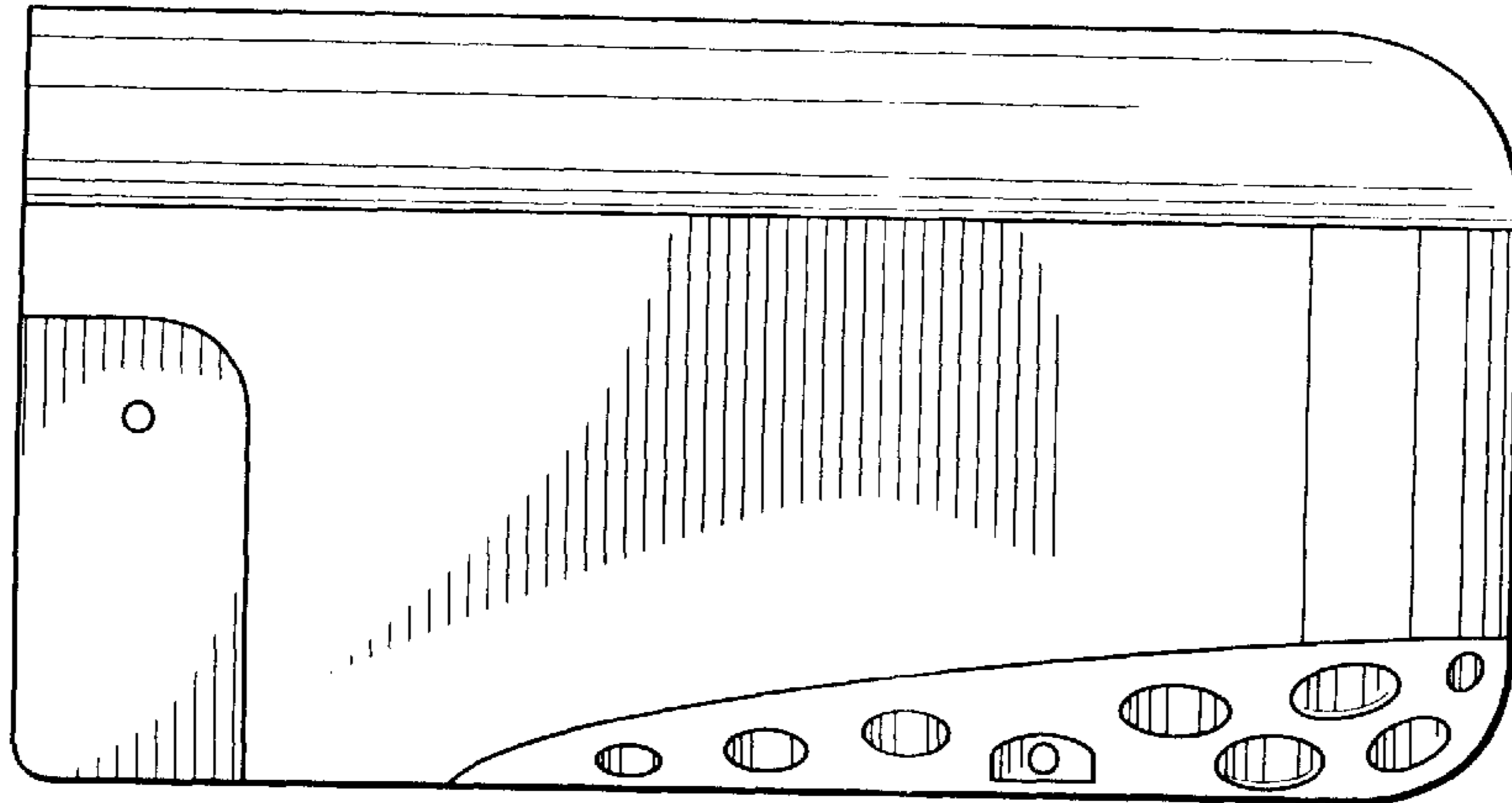


FIG. 3

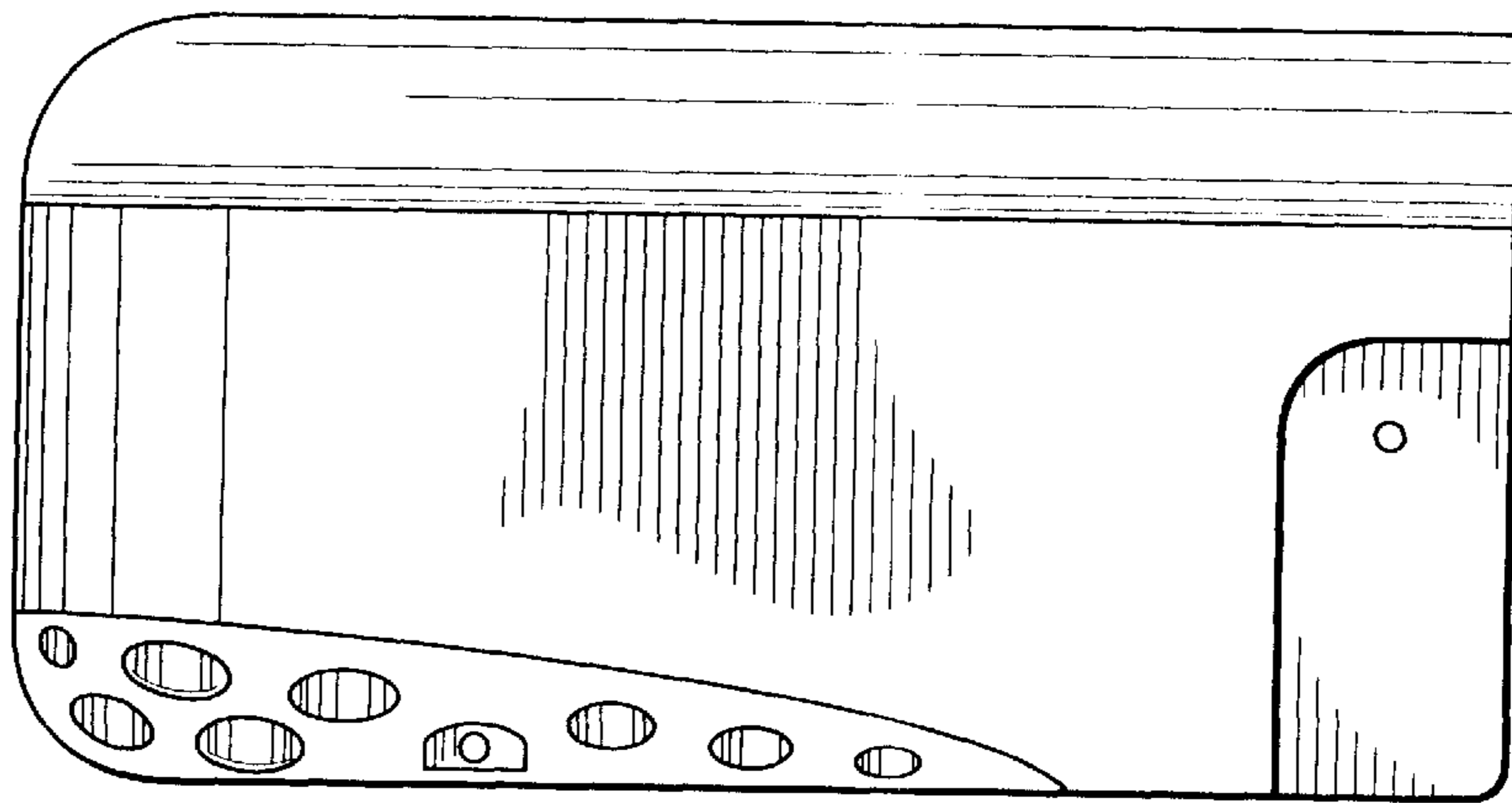


FIG. 4

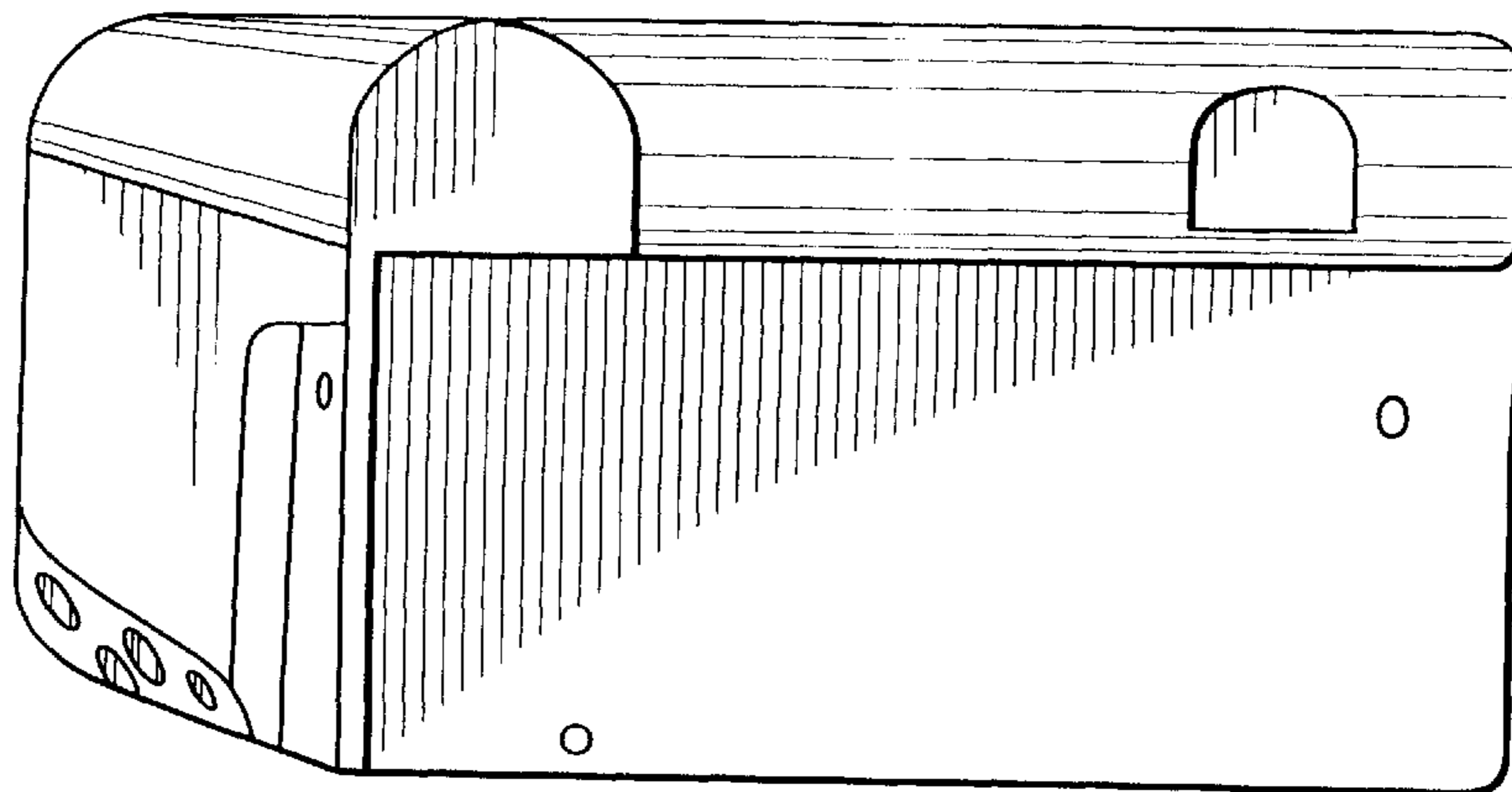


FIG. 5

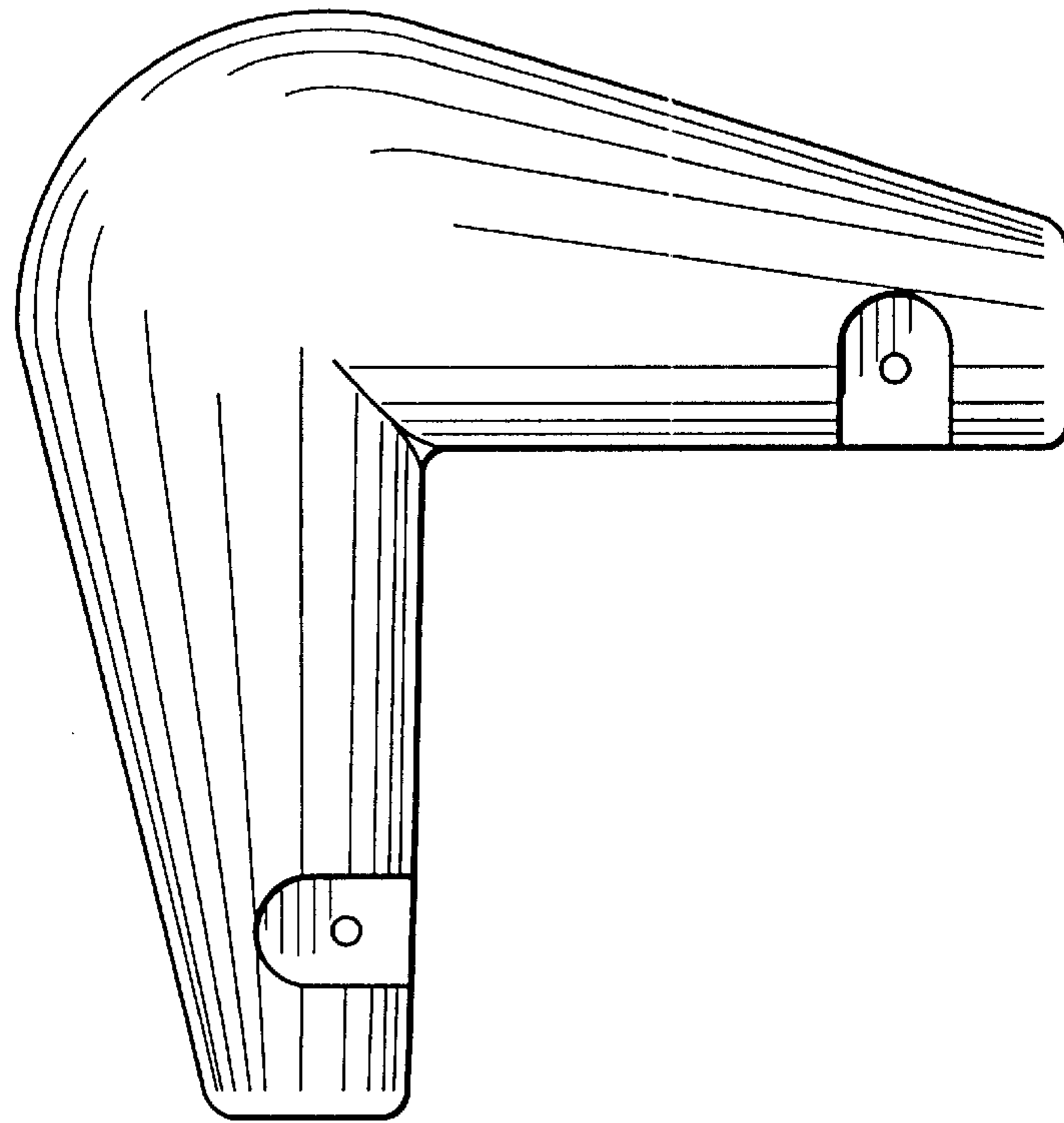


FIG. 6

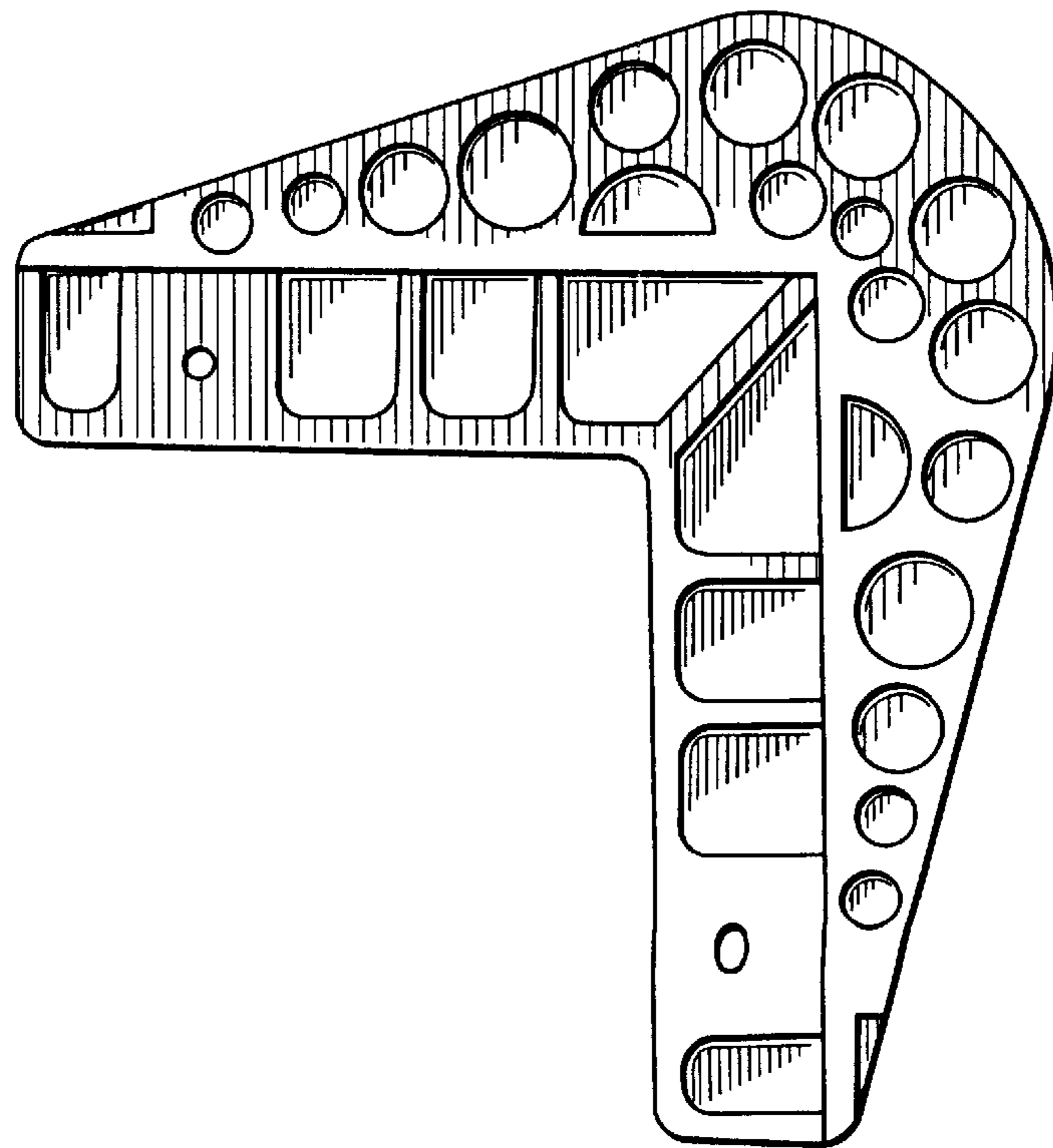


FIG. 7