



US00D412432S

United States Patent [19]

Bokros

[11] **Patent Number: Des. 412,432**

[45] **Date of Patent: ** Aug. 3, 1999**

[54] **HOT GLUE GUN WITH REMOVABLE CARTRIDGE**

D. 334,876	4/1993	Swedish	D8/29.1
4,948,944	8/1990	Oster	219/227
4,951,846	8/1990	Oster et al.	222/146.5

[75] Inventor: **Les Bokros**, Ft. Worth, Tex.

[73] Assignee: **Uniplast, Inc.**, Arlington, Tex.

[**] Term: **14 Years**

Primary Examiner—Terry A. Wallace
Attorney, Agent, or Firm—Gregory M. Howison; Mark W. Handley

[21] Appl. No.: **29/089,465**

[22] Filed: **Jun. 16, 1998**

[57] **CLAIM**

The ornamental design for “hot glue gun with removable cartridge”, as shown and described.

[51] **LOC (6) Cl.** **08-05**

[52] **U.S. Cl.** **D8/30; D8/14.1**

[58] **Field of Search** D8/14.1, 29.1,
D8/29.2, 30; 219/221, 227, 229, 242, 259;
222/146.1, 146.5

DESCRIPTION

FIG. 1 is a frontal, perspective view showing my new design;
FIG. 2 is a rearward, perspective view thereof;
FIG. 3 is a top view thereof;
FIG. 4 is a bottom view thereof;
FIG. 5 is a left side, elevational view thereof; and,
FIG. 6 is a right side, elevational view thereof.

[56] **References Cited**

U.S. PATENT DOCUMENTS

D. 315,852 4/1991 Nusse et al. D8/30

1 Claim, 2 Drawing Sheets

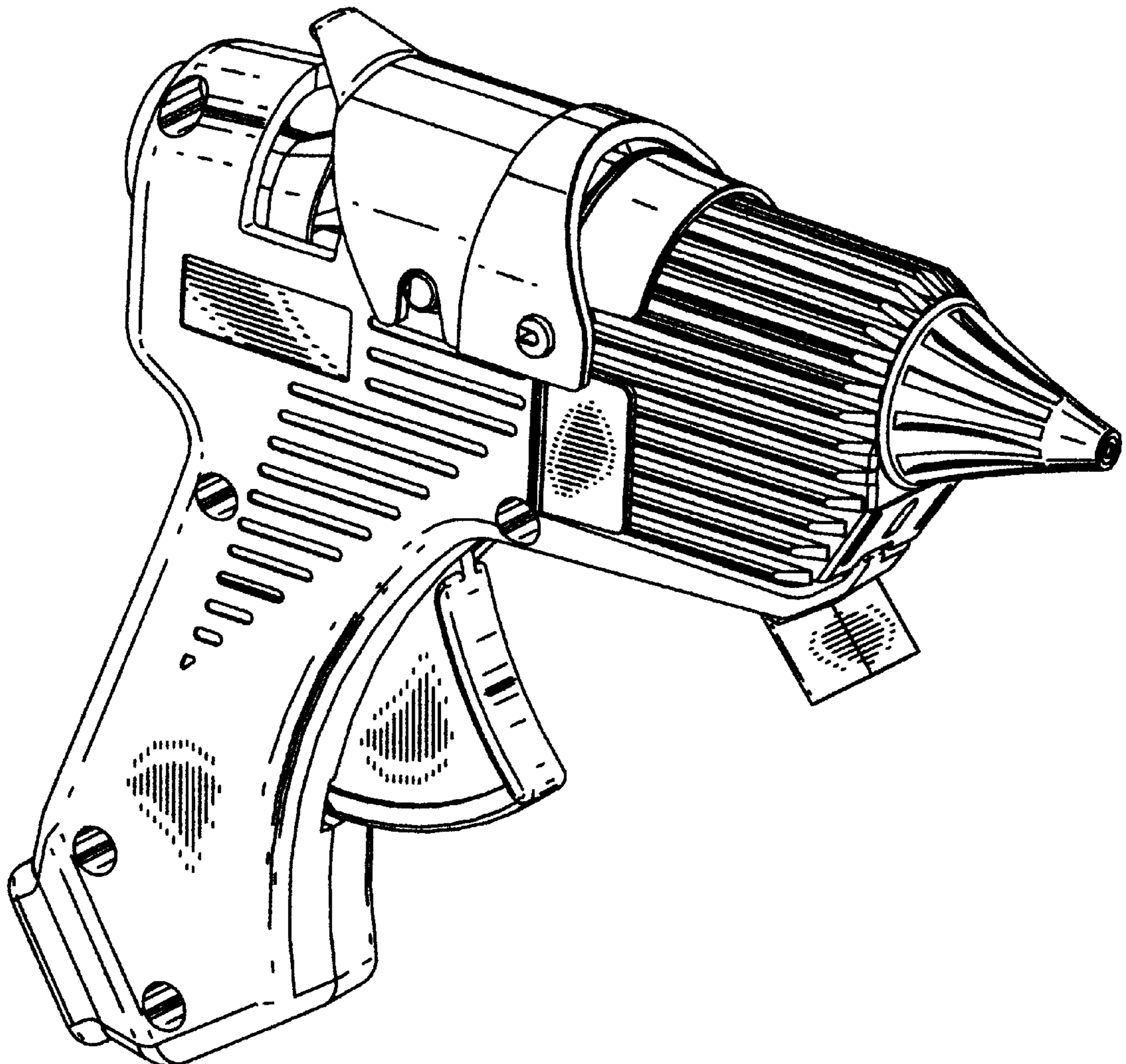


FIG. 1

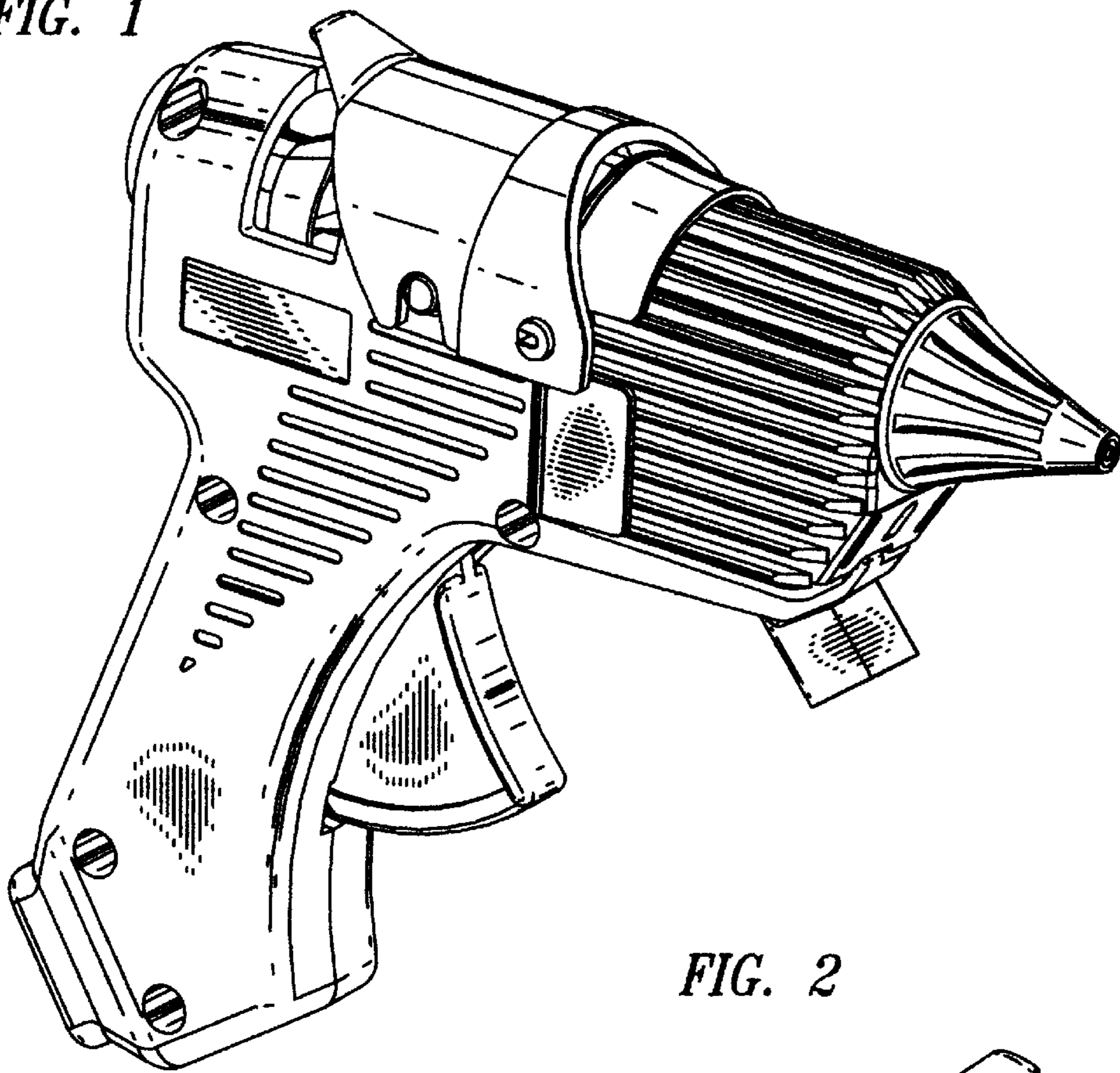


FIG. 2

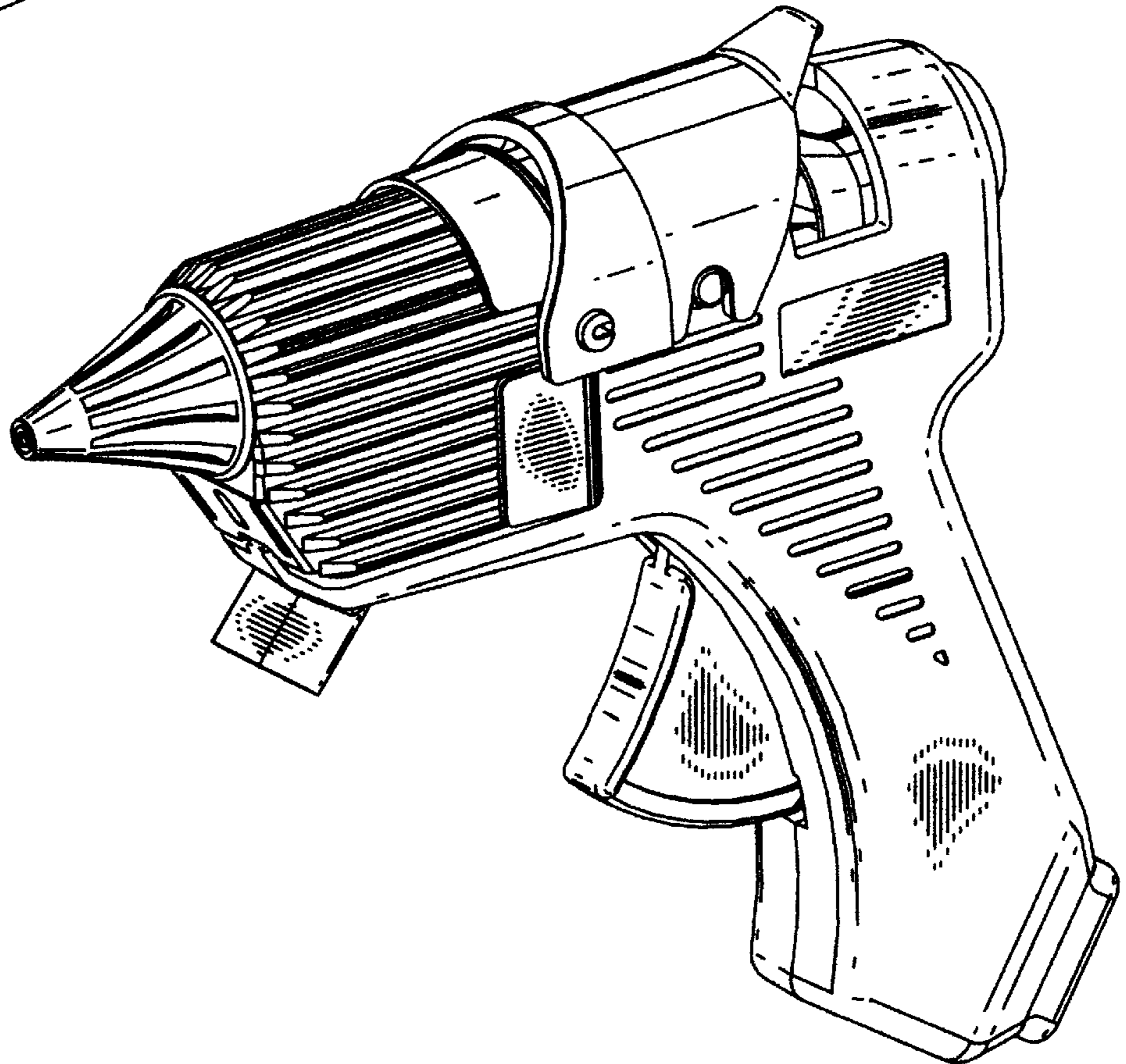


FIG. 3

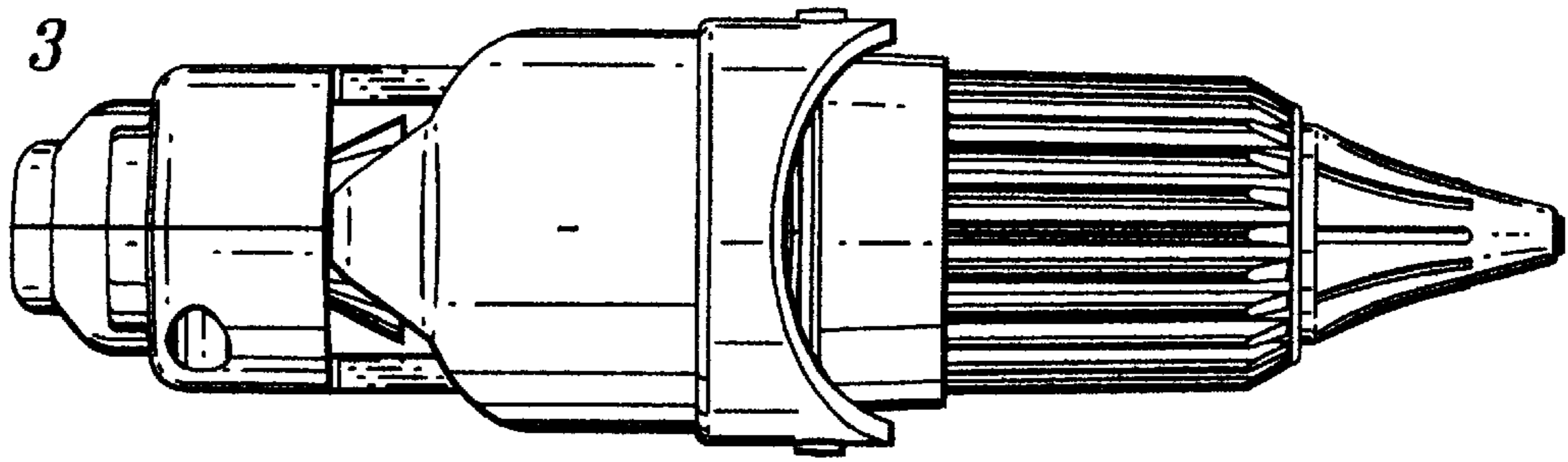


FIG. 4

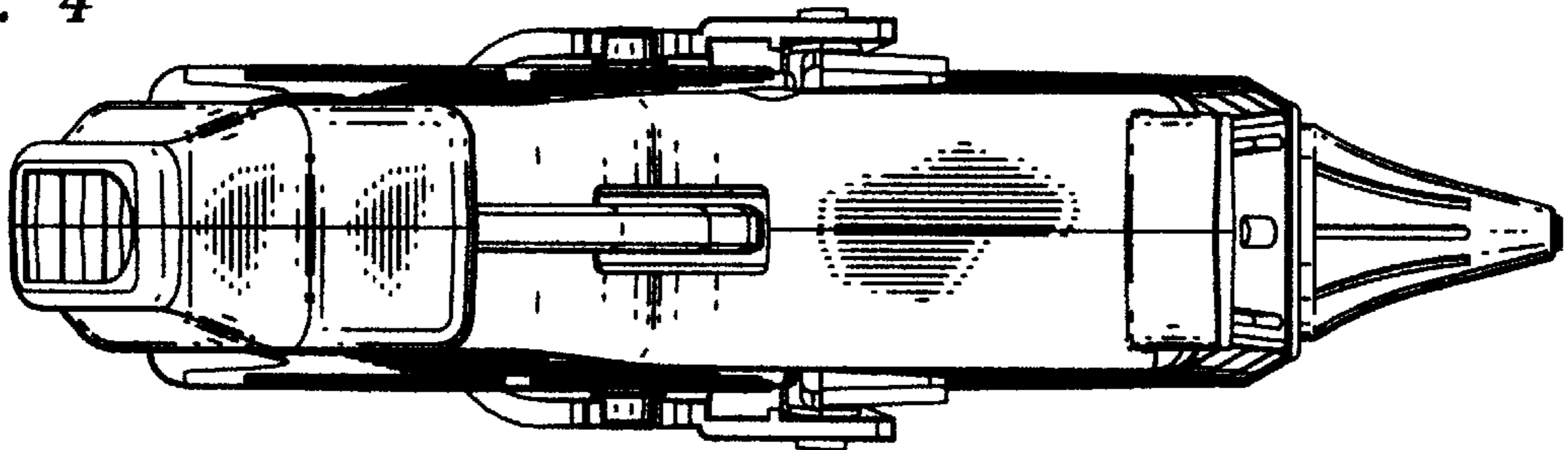


FIG. 5

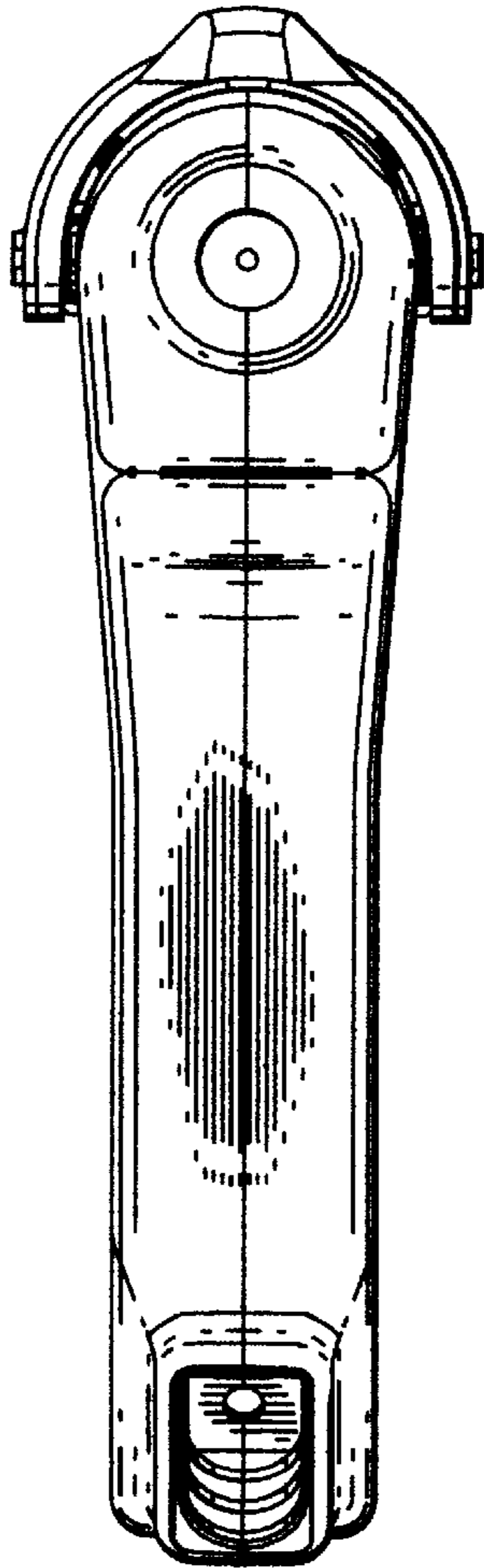


FIG. 6

