



US00D412428S

United States Patent [19]
Evans

[11] **Patent Number: Des. 412,428**

[45] **Date of Patent: ** Aug. 3, 1999**

[54] **LAWN PICK UP TOOL**

5,706,640 1/1998 Tyrrell 56/400.01

[76] Inventor: **Mark E. Evans**, 3109 Twinfalls Dr.,
Plano, Tex. 75093

Primary Examiner—Holly Baynham
Attorney, Agent, or Firm—Fulbright & Jaworski L.L.P.

[**] Term: **14 Years**

[57] **CLAIM**

[21] Appl. No.: **29/074,028**

The ornamental design for a lawn pick up tool, as shown and described.

[22] Filed: **Jul. 23, 1997**

DESCRIPTION

[51] **LOC (6) Cl.** **08-01**

[52] **U.S. Cl.** **D8/1**

[58] **Field of Search** D8/8, 1; 56/400.01,
56/400.04–400.24

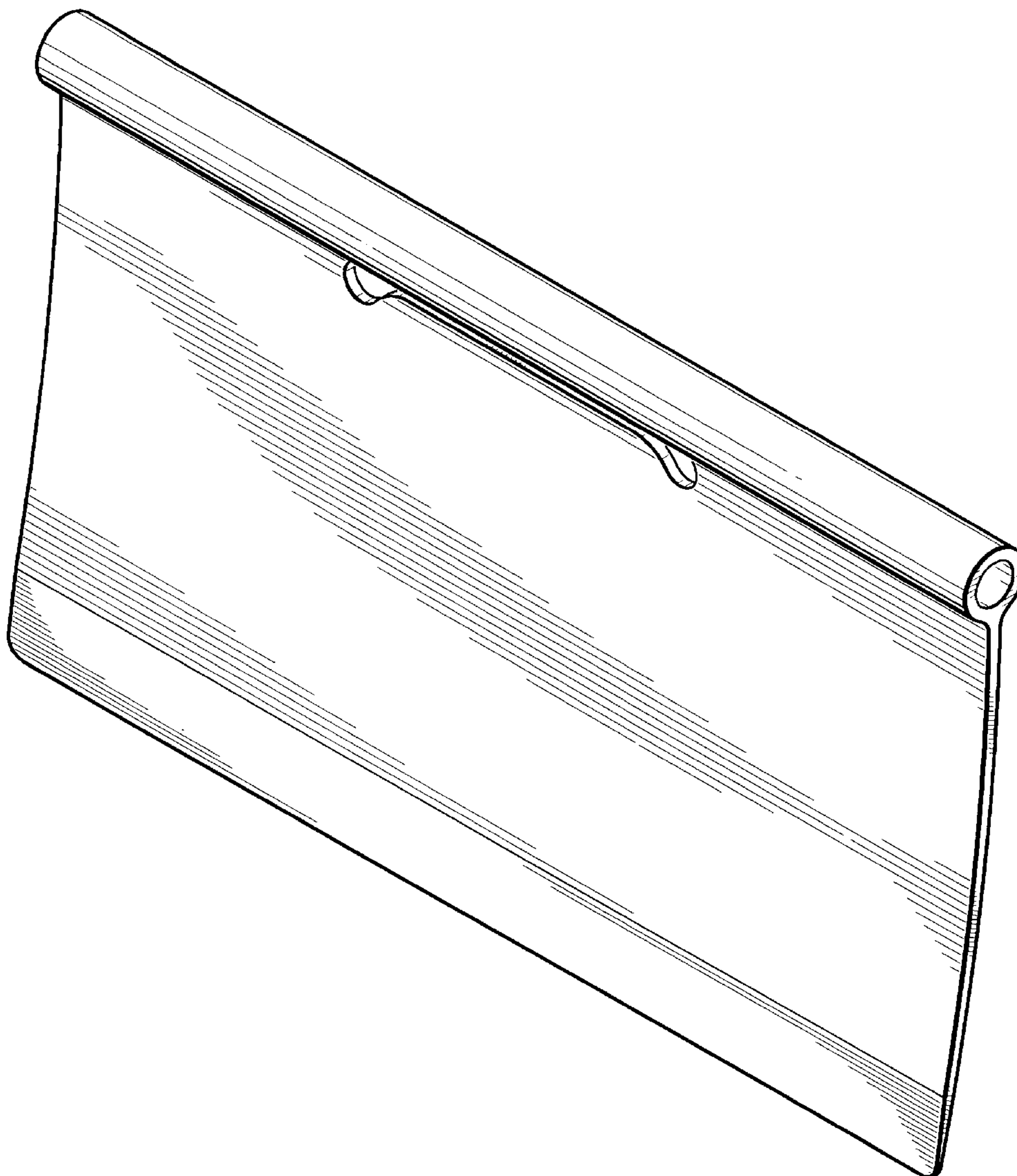
FIG. 1 is a perspective view of the yard tool;
FIG. 2 is a front view of the yard tool shown in FIG. 1;
FIG. 3 is a side view of the yard tool shown in FIG. 1;
FIG. 4 is a top view of the yard tool shown in FIG. 1;
FIG. 5 is a back view of the yard tool shown in FIG. 1;
FIG. 6 is a bottom view of the yard tool shown in FIG. 1;
and,
FIG. 7 is a perspective view of another embodiment of the
yard tool having a non-hollow handle.

[56] **References Cited**

U.S. PATENT DOCUMENTS

3,691,743	9/1972	Browning	56/400.05
4,378,670	4/1983	Check et al.	56/400.01
4,866,922	9/1989	Clark	56/400.04
4,948,188	8/1990	Haslam	294/54.5

1 Claim, 4 Drawing Sheets



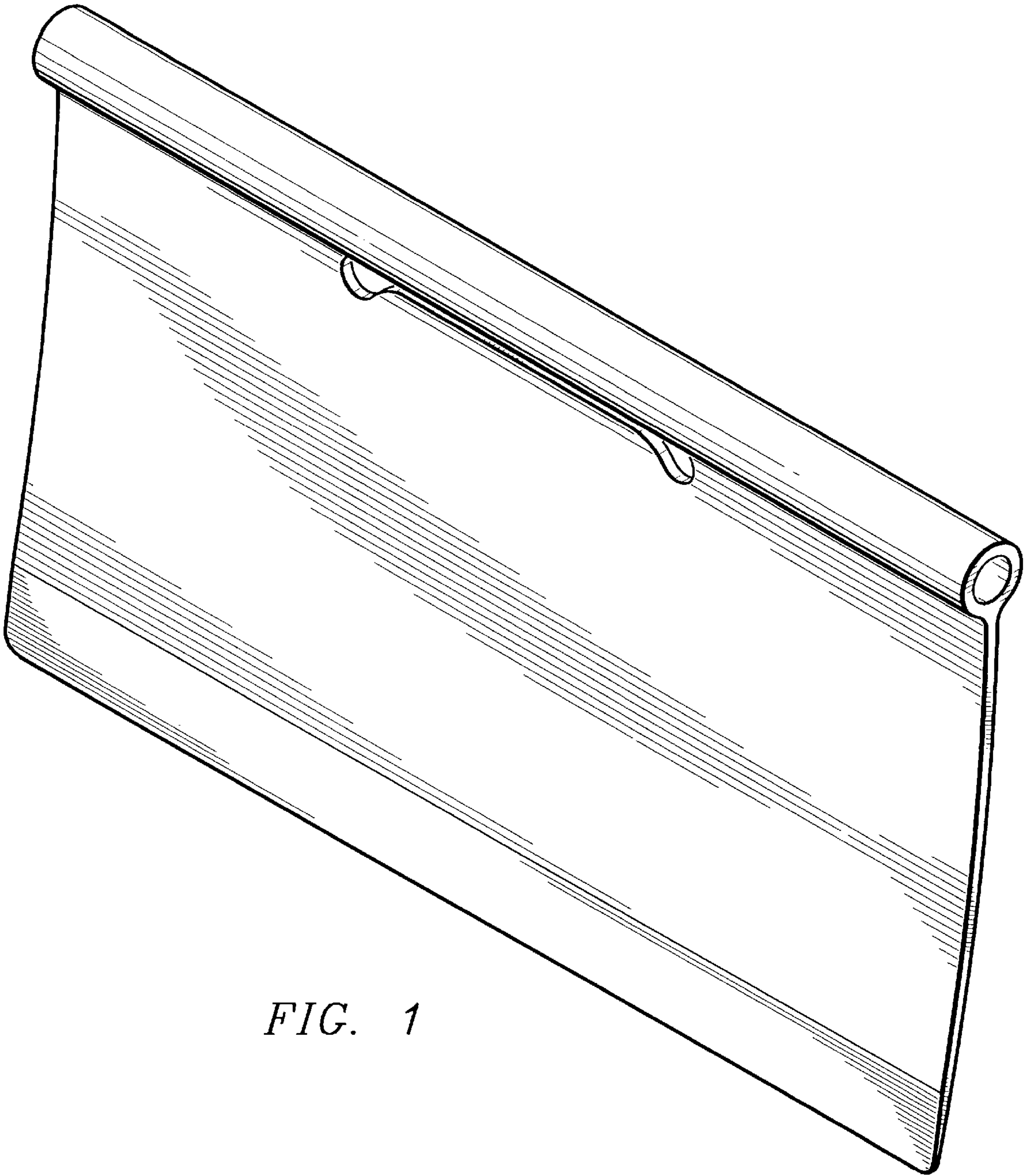


FIG. 1

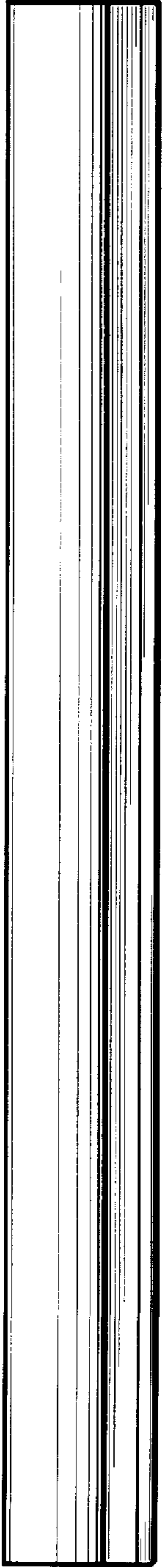


FIG. 4

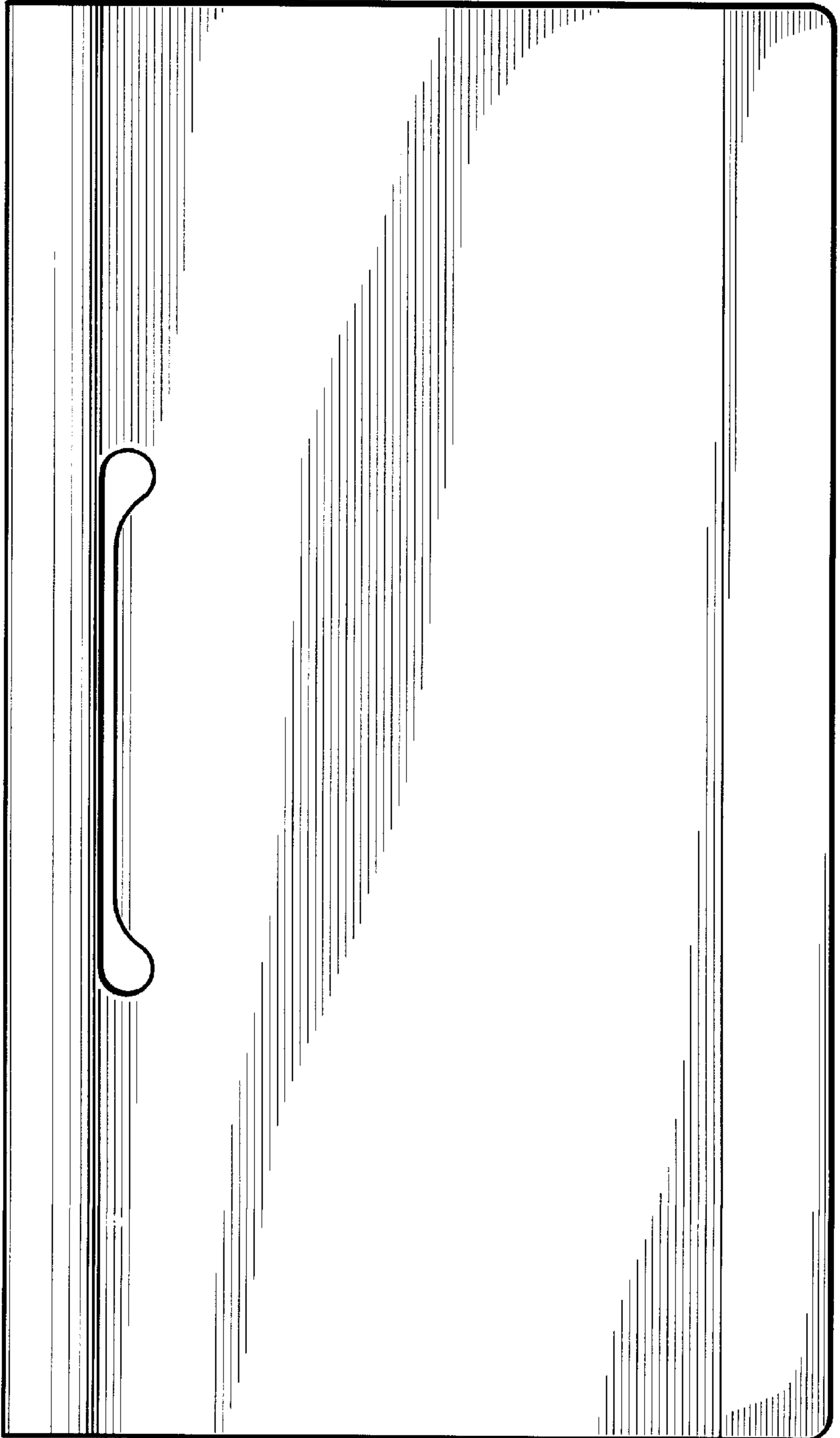


FIG. 2

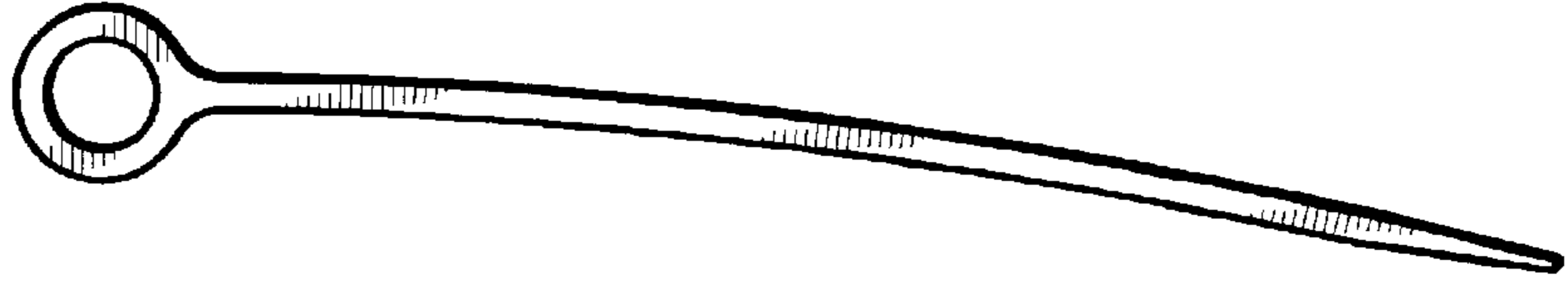


FIG. 3



FIG. 5

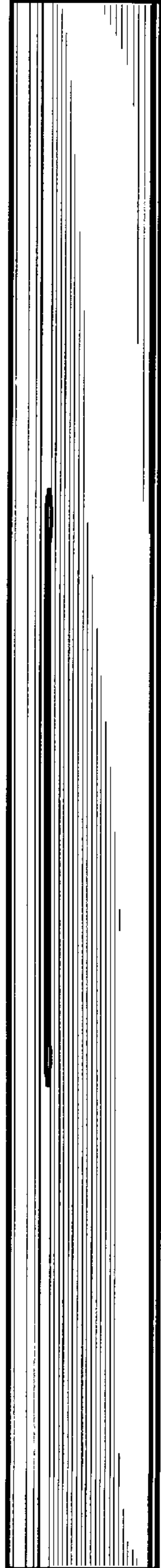


FIG. 6

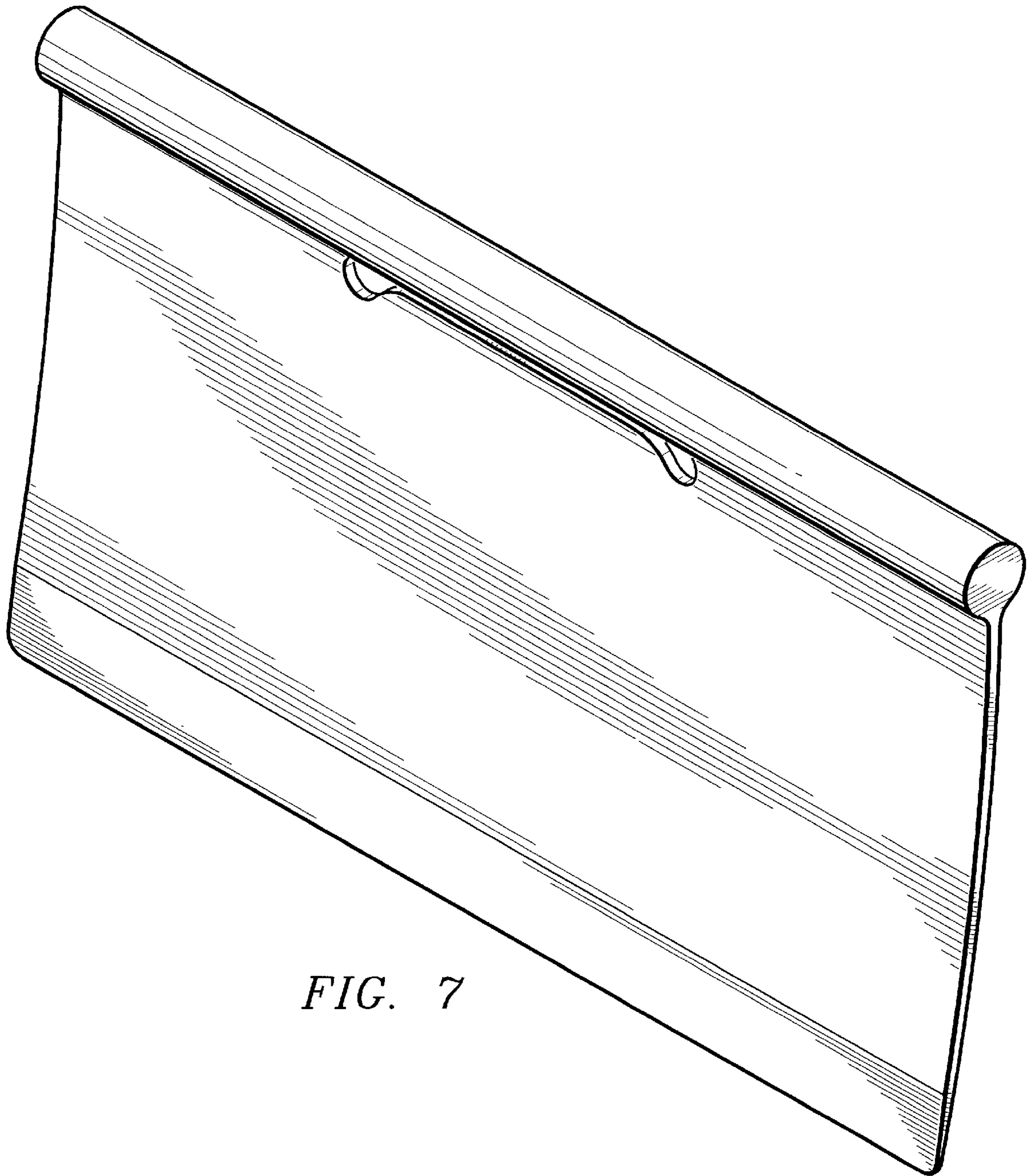


FIG. 7