



US00D412424S

United States Patent [19]

[11] Patent Number: **Des. 412,424**

Au

[45] Date of Patent: **** Aug. 3, 1999**

[54] **BEVERAGE MAKER**

[75] Inventor: **Tat-Fu Au**, Kwai Chung, The Hong Kong Special Administrative Region of the People's Republic of China

[73] Assignee: **Fatia Industrial Company Limited**, The Hong Kong Special Administrative Region of the People's Republic of China

[**] Term: **14 Years**

[21] Appl. No.: **29/095,573**

[22] Filed: **Oct. 26, 1998**

[51] **LOC (6) Cl.** **07-01**

[52] **U.S. Cl.** **D7/305; D7/309; D7/322**

[58] **Field of Search** D7/322, 321, 316, D7/317, 318, 319, 305, 309, 310, 311; 99/281, 288, 279, 285, 295; 222/465.1

[56] **References Cited**

U.S. PATENT DOCUMENTS

- D. 363,409 10/1995 Huang D7/317
- D. 364,307 11/1995 Chang D7/322

- D. 373,281 9/1996 Simmons D7/309
- D. 390,743 2/1998 Saltet D7/319
- D. 394,580 5/1998 Cecon D7/309
- D. 395,191 6/1998 Chang D7/309
- D. 399,090 10/1998 Green D7/319
- 5,570,624 11/1996 Chang 99/285
- 5,782,163 7/1998 Chang 99/288 X

Primary Examiner—M. N. Pandozzi
Attorney, Agent, or Firm—Burns, Doane, Swecker & Mathis, L.L.P.

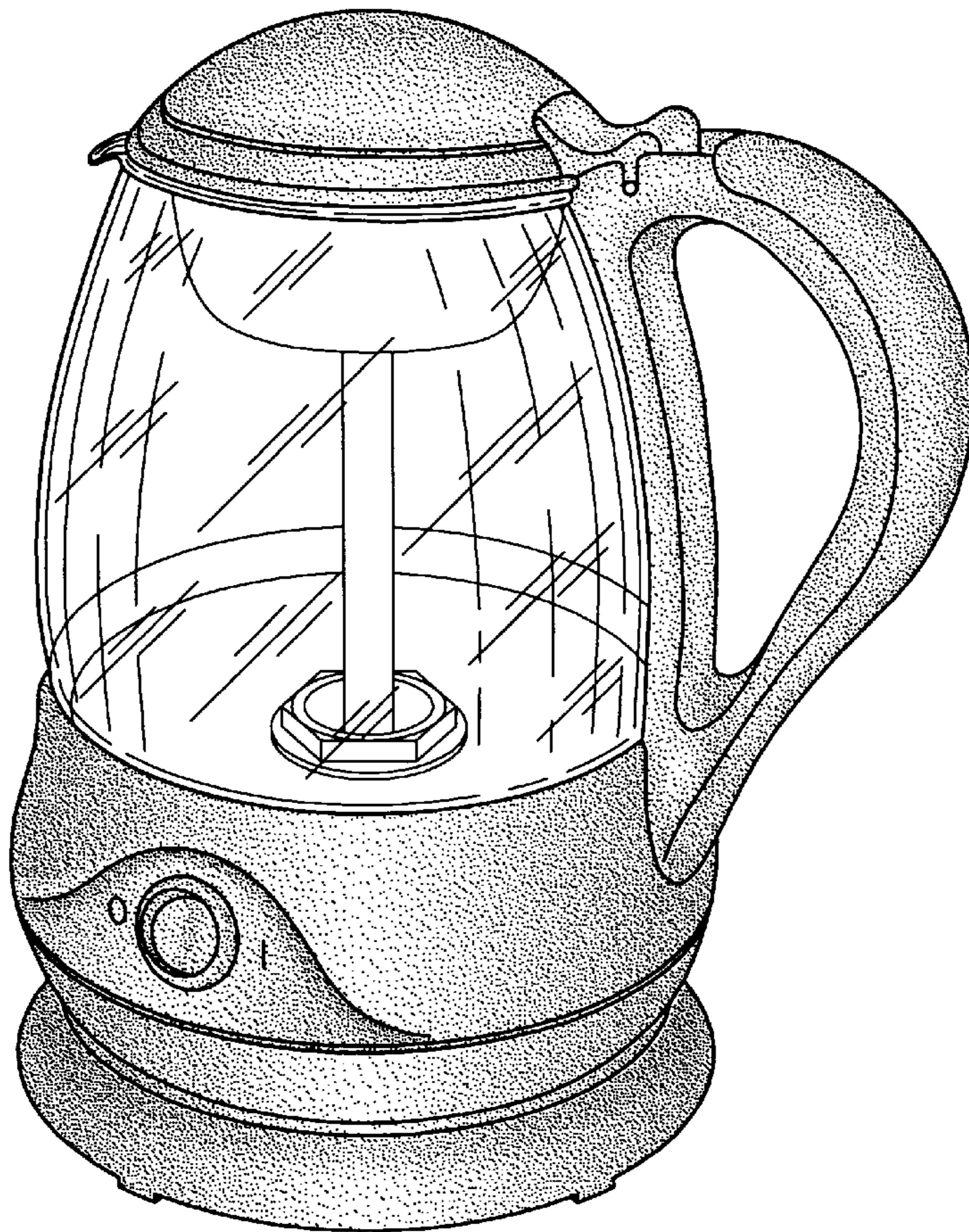
[57] **CLAIM**

The ornamental design for a beverage maker, as shown and described.

DESCRIPTION

FIG. 1 is a perspective view showing my new design for a beverage maker;
FIG. 2 is a front view thereof;
FIG. 3 is a rear view thereof;
FIG. 4 is an enlarged top plan view thereof;
FIG. 5 is a enlarged bottom view from thereof;
FIG. 6 is a right side view thereof; and,
FIG. 7 is a left side view thereof.

1 Claim, 6 Drawing Sheets



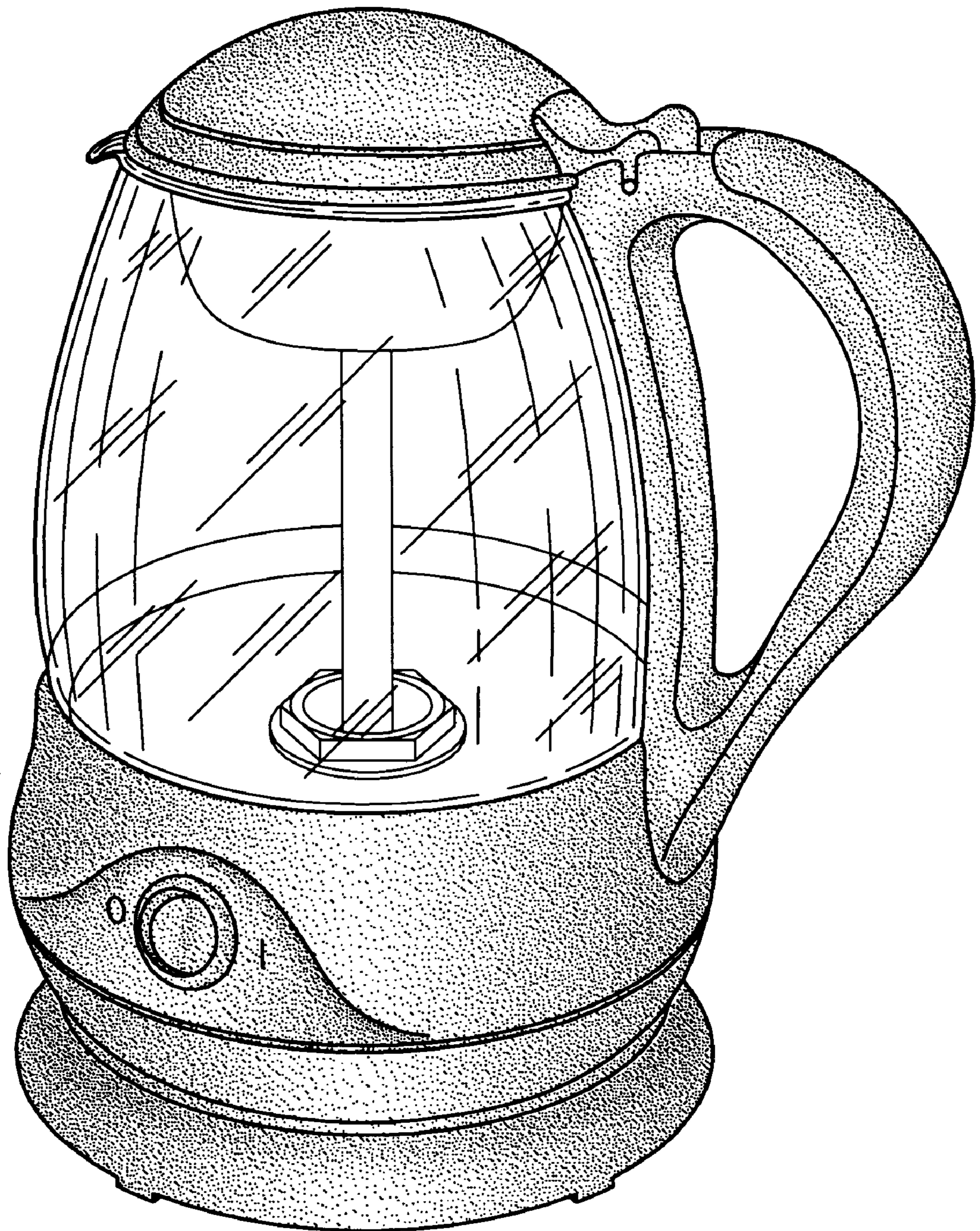


FIG. 1

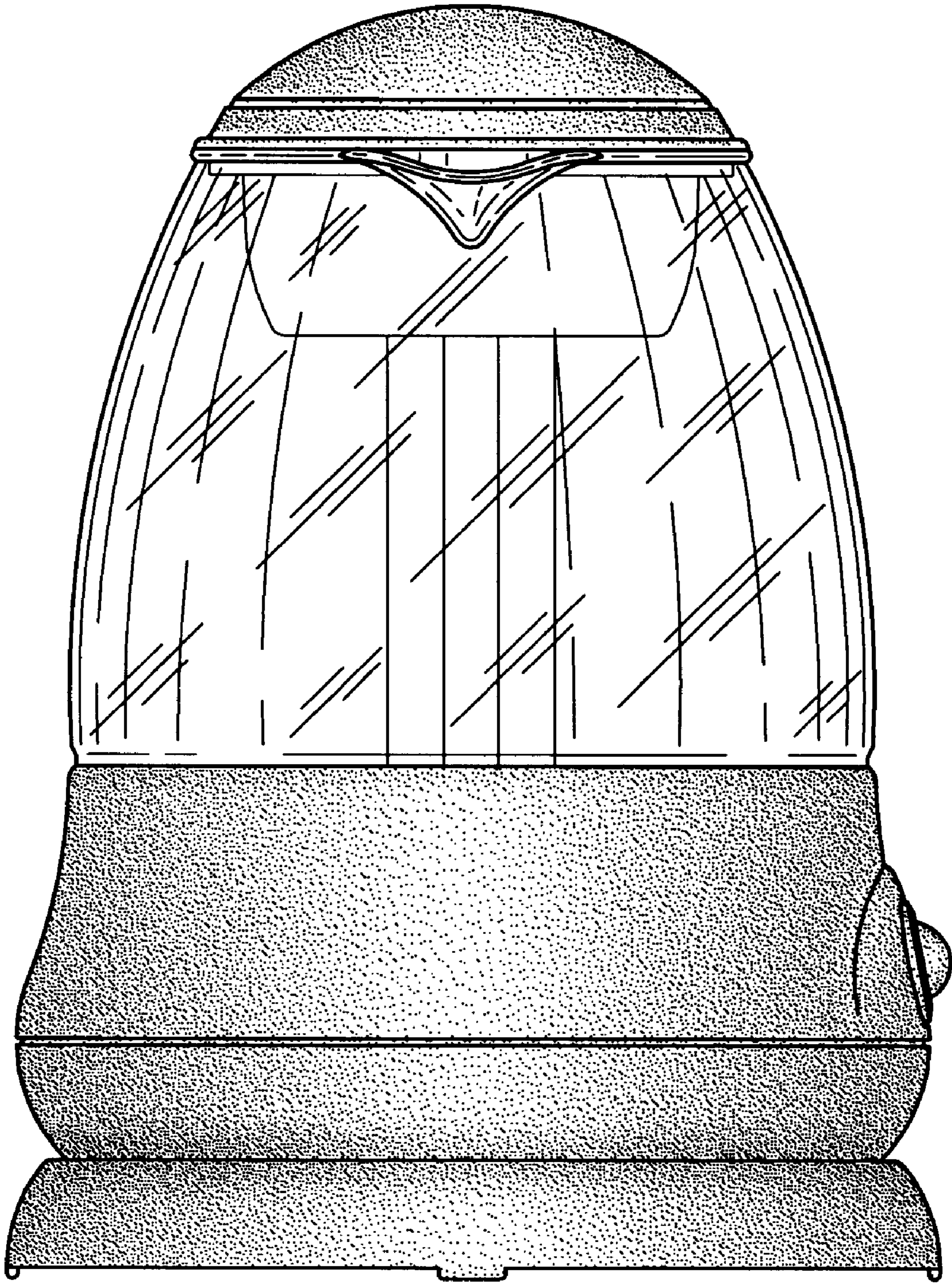


FIG. 2

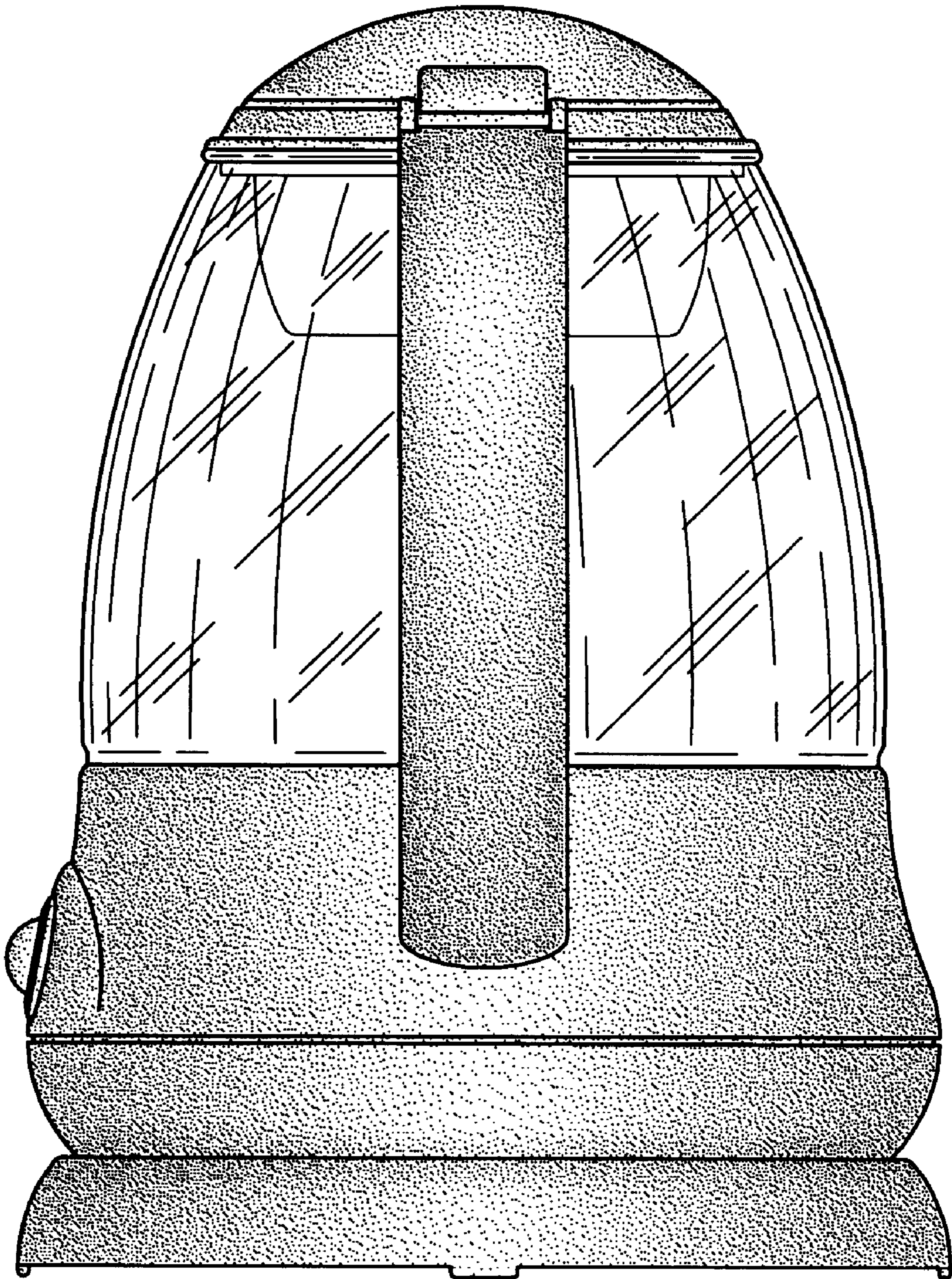


FIG. 3

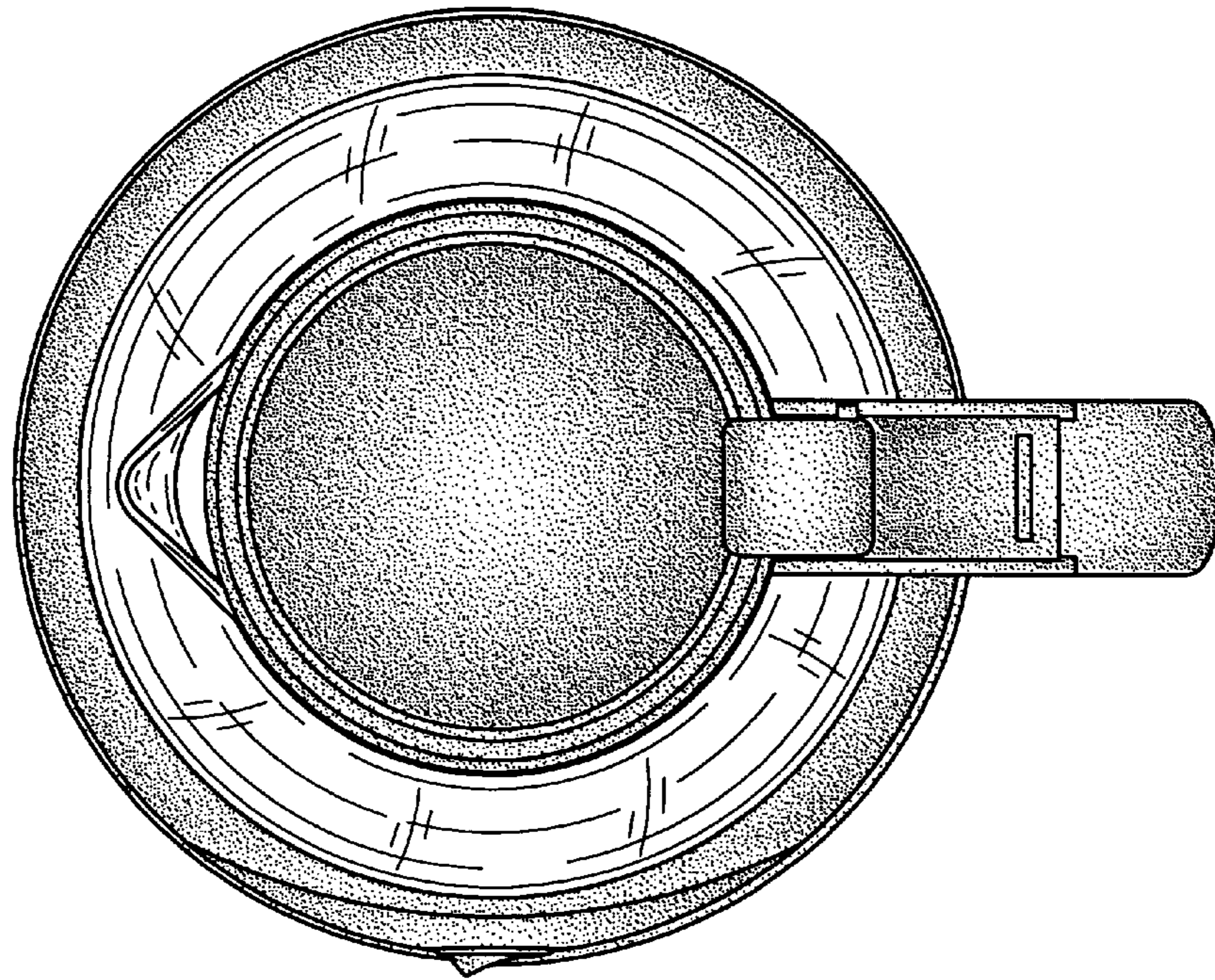


FIG. 4

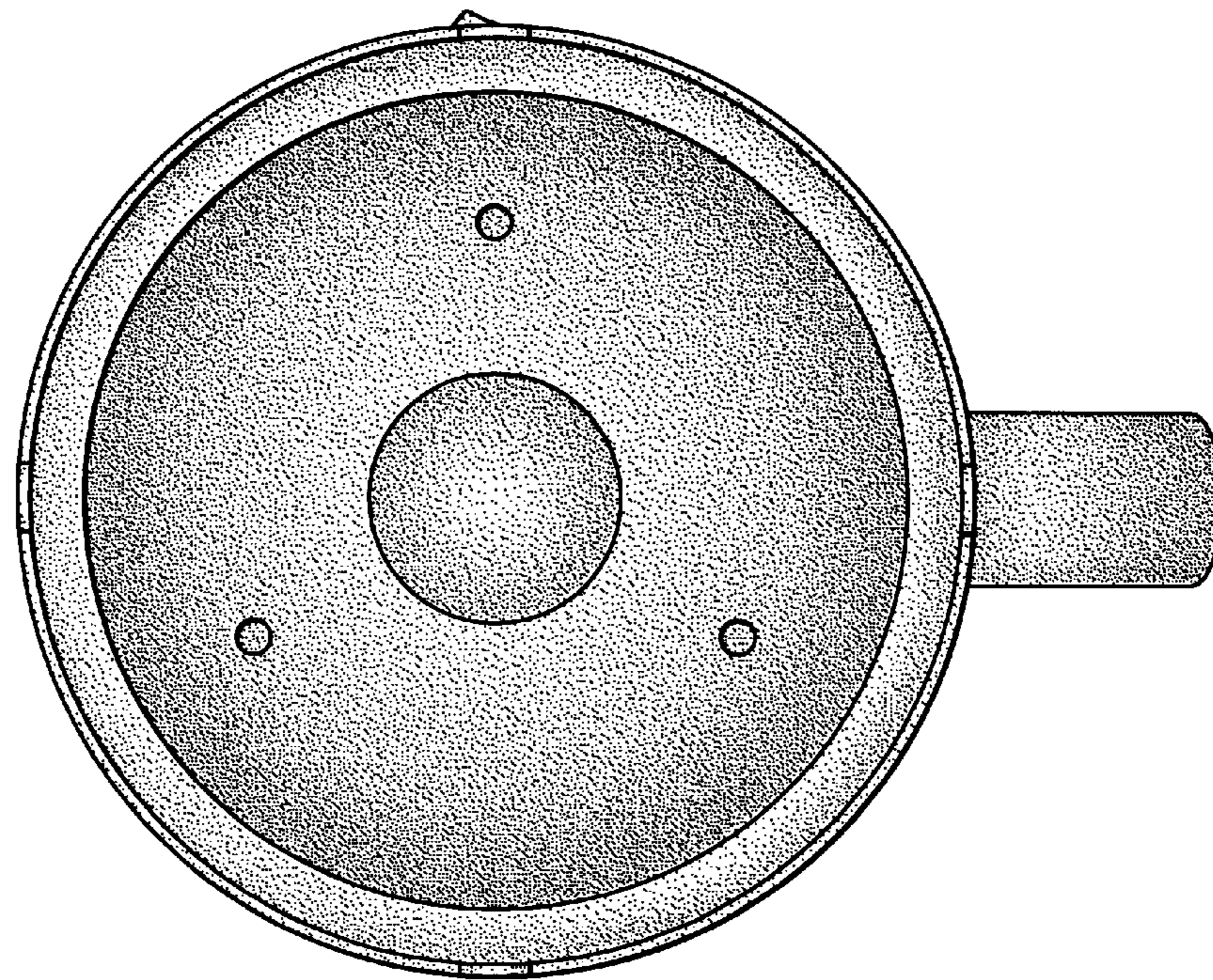


FIG. 5

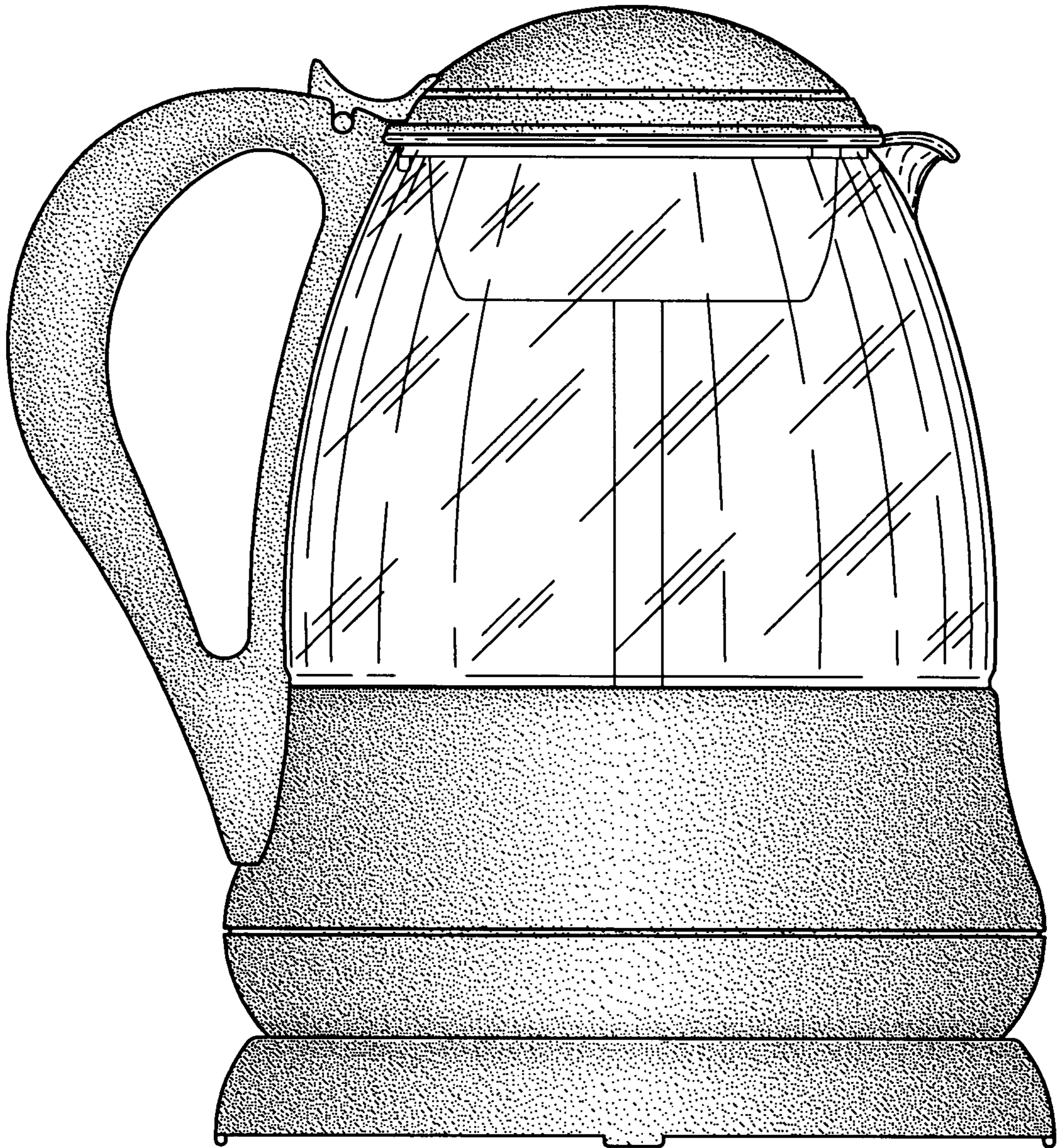


FIG. 6

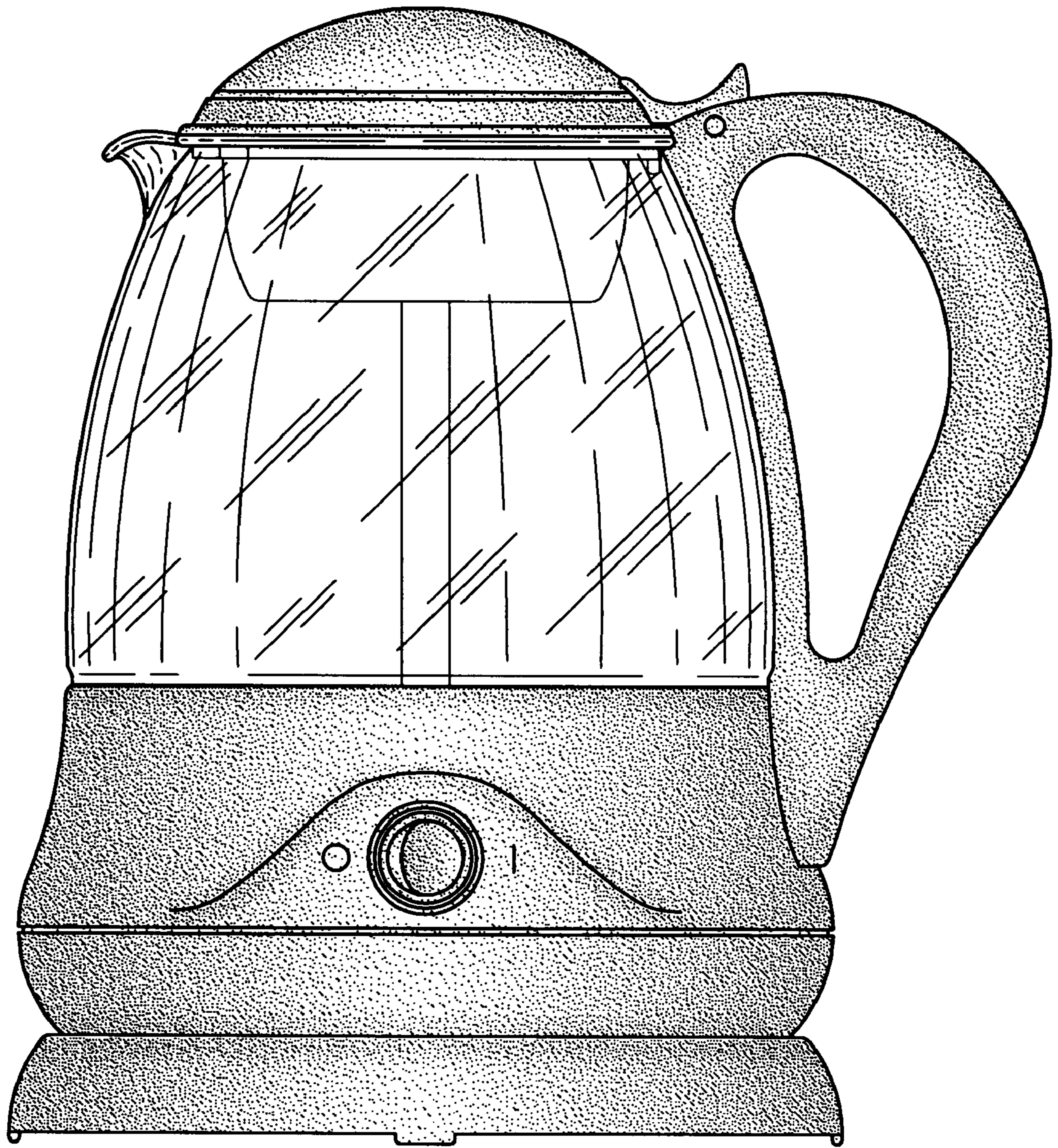


FIG. 7